

SERVICE BULLETIN

Subject: Water Supply Hose, modular flaked and nugget ice machines

The hose between the water reservoir and the evaporator inlet has been changed. The new part numbers are:

- F0522, F0822, N0422, N0622: **A40189-001**
- F1222, F1522, N0922, N1322: **02-4752-01**

Use began August 15, 2013 with serial number 13081320013114

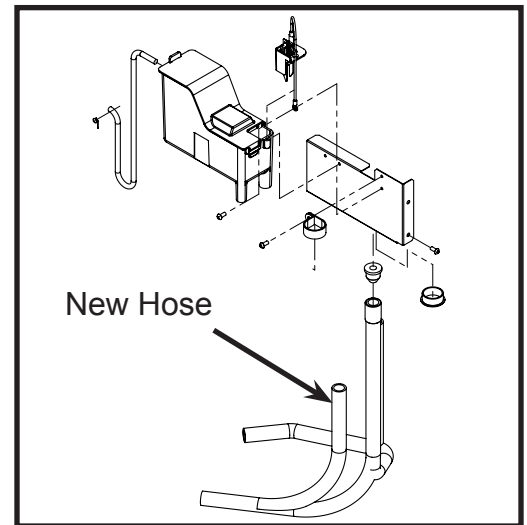
Reason for change: Air bubble in water supply hose partially blocks water flow.

Applies to: Any N or F model (examples N0422 or F1522) machine supplied with reservoirs that have white covers. Use of those reservoirs began in June 2012.

Symptom: Flake or nugget machine operates at unusually low suction pressure, may shut off on low pressure control. Low ice making capacity. No obvious cause.

Corrective action: Either replace the hose with one of the part numbers above or modify the existing one using these steps:

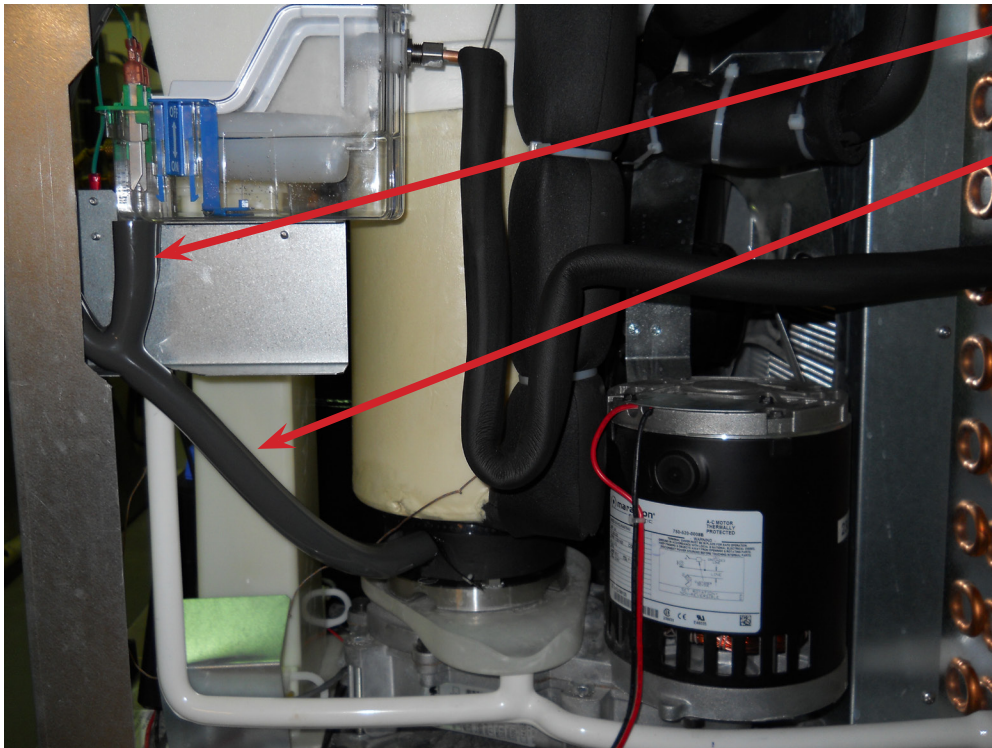
1. Squeeze gray water feed hose to evaporator inlet, you may see bubbles enter the reservoir.
2. Vent drain tube by removing plug at end. Either discard plug or cut off tip so air can enter tube. Be sure tube is secure to machine to avoid accidental draining. Hose must remain vented.
3. Shut unit off. Shut water off, remove hose and confirm evaporator inlet is free of ice. Melt any ice found in the inlet.
4. Shorten water feed hose from reservoir to evaporator to form a sharp slope as shown on page 2.
5. Reattach hose and secure to reservoir outlet with cable tie. Turn water back on and restart unit.



Field Fix Instructions



Black Plug
Cut off and discard
plug's tip to vent



Shorten this section of hose.

This section, originally
horizontal, should be changed
to about a 45 degree slope
from the reservoir outlet to the
evaporator inlet.