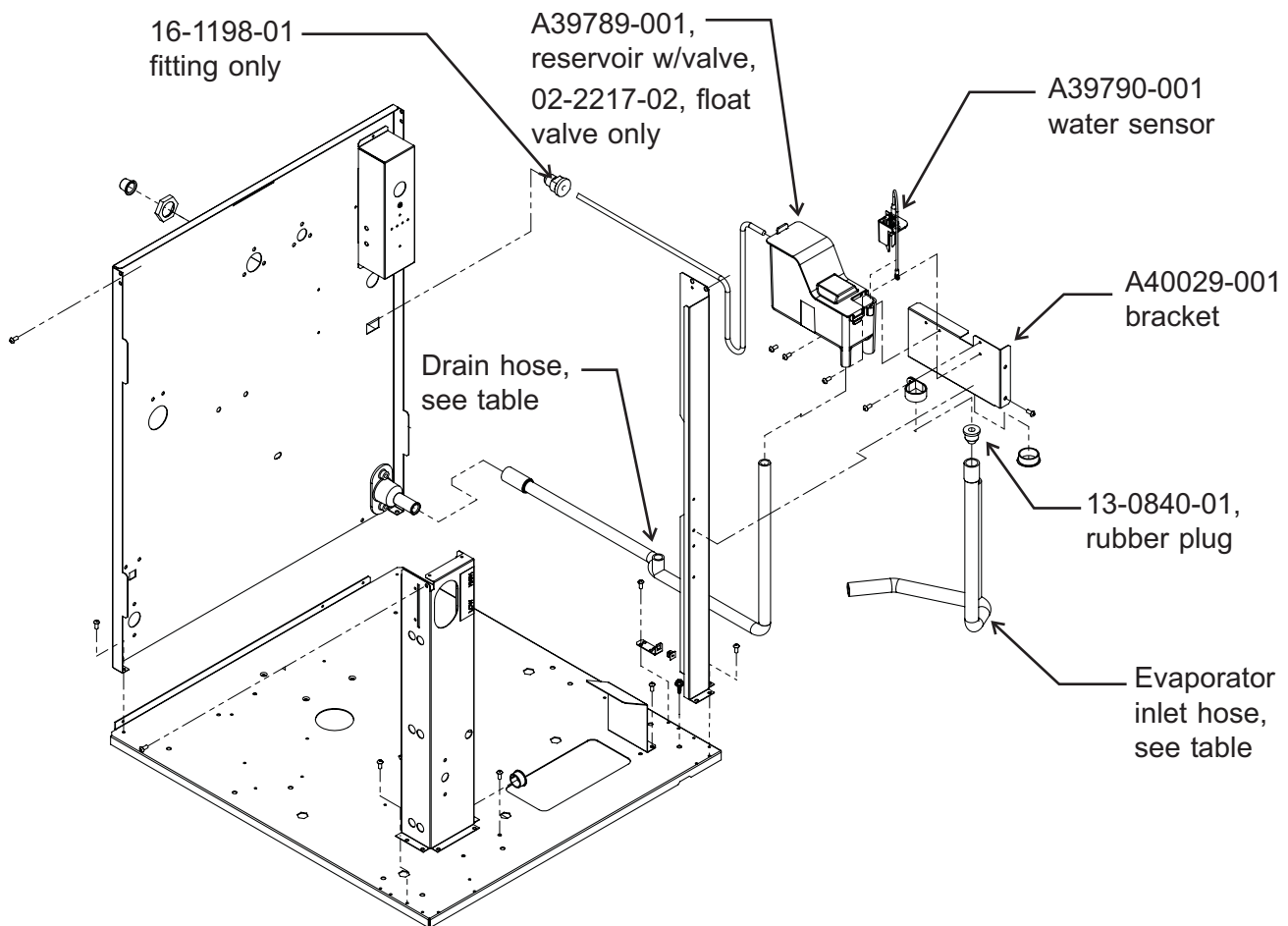


SERVICE BULLETIN

Subject: Float Reservoir and Water Sensor Change to Prodigy Flaked and Nugget Models.

The reservoir, float valve, inlet water tube material, water sensor, evaporator inlet tube and drain tube have been changed. The new numbers are shown in the illustration. The inlet water tube material is copper. The water sensor is in the reservoir; on prior models it was in the drain hose. Parts are NOT interchangeable between prior and current models.

Identification of which unit has these parts is most easily done by **reservoir cover color**: the current cover is **White**, the prior was clear. Use began with N1322R-32A serial number 12061320013354.



	Units with a White Reservoir Cover use these parts	
Model	Evap. Inlet Hose Part Number	Drain Hose Part Number
F0522, N0422, F0822, N0622	A40032-001	A40031-001
F1222, N0922, F1522, N1322	02-4709-01	02-4708-01