

# Bins, Condensers, and Accessories

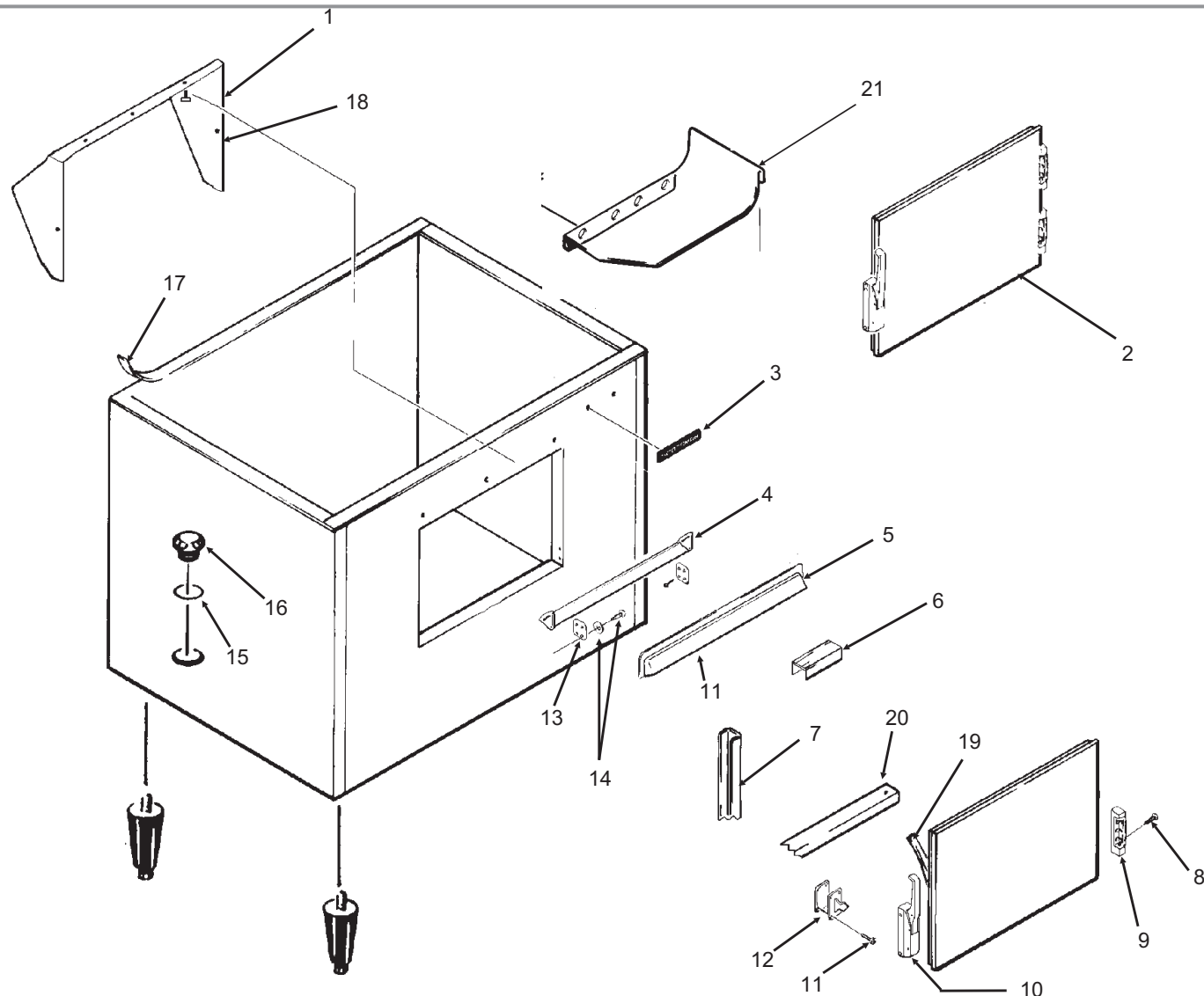
## Service Parts

### Table of Contents

B90/BX87 .....	page 2
HTB250/350 & BH250/350 & BH450.....	page 3
B230P .....	page 4
BH360S.....	page 5
SB480, SBX470, SBX215 .....	page 6
HTB500/BH500A .....	page 7
B222, B322, B330, B530, B842, B948 .....	page 8
HTB555.....	page 9
BH800/BH550.....	page 10
BH801 .....	page 11
BH900 .....	page 12
BH1000.....	page 13
BH1100, BH1300, BH1600 .....	page 14
BH1351/BH1352/BH1360.....	page 15
BH1370.....	page 16
BH1356, BH1650, BH1366 & BH1666 Ice Storage Bin.....	page 17
SLB150, SLB260/BH260, SLB375/BH375.....	page 18
Ice Cart Systems (ICS1, ICS2, ICS3).....	page 19
ERC Horizontal Coil Condenser .....	page 20
ERC V Coil Condenser ERC111, 211, 311, 411, ERC680, ERC1086.....	page 21
ERC V Coil Condenser, ERC611, ERC2086, ER2C6810, ER2C1316.....	page 22
Bagger; Fan Relay Box, KDIL Thermostats .....	page 23
Water Filters .....	page 24
Accessories .....	page 25

# Bins, Condensers, and Accessories Service Parts

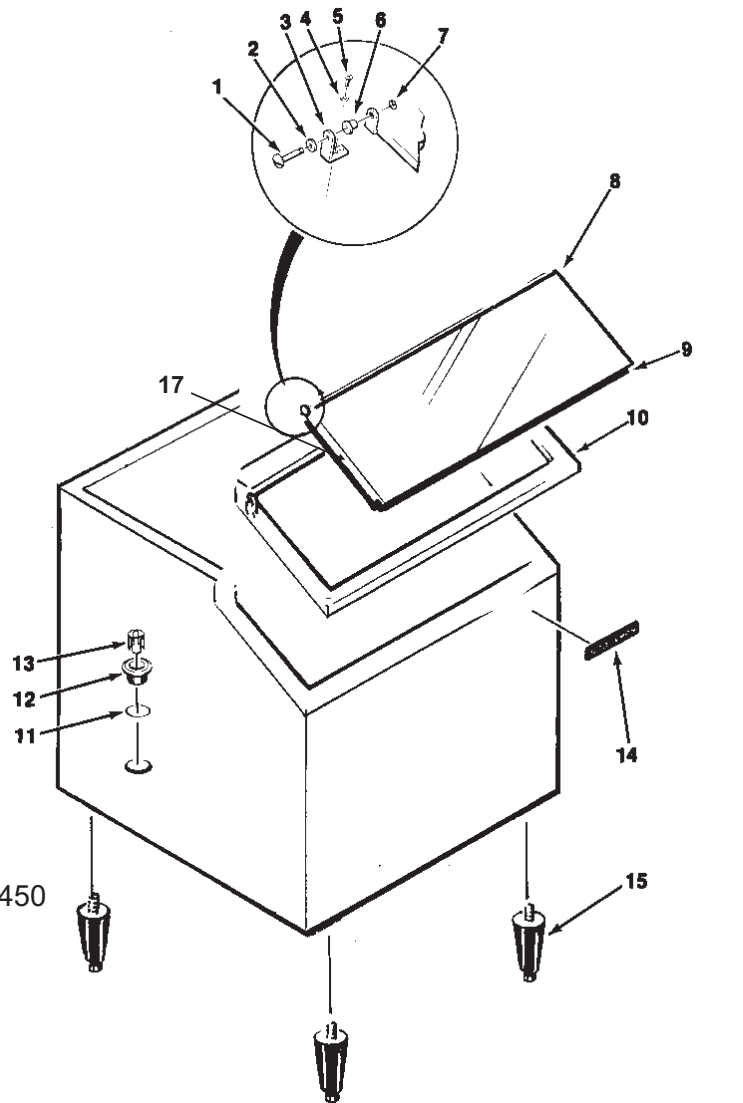
## B90/BX87



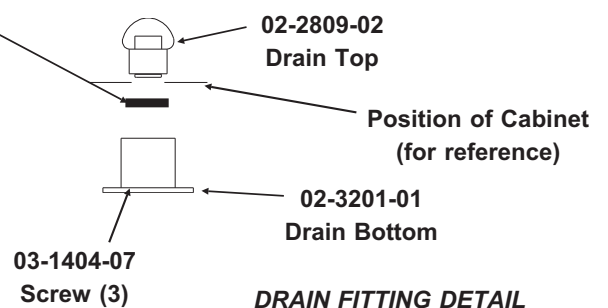
ITEM NUMBER	PART NUMBER	DESCRIPTION			
1	A15114-000	Baffle	9	02-2658-03	Hinge
2	A18300-013	Complete Door-brown		02-2658-04	Hinge Cover
	A18300-032	Complete door, gray	10	02-2658-01	Latch
	A18300-010	Complete Door, sandalwood.		02-1285-00	Screw, into door
	A18300-002	Complete door, SS	11	03-1419-28	Screw, into cabinet
	02-1000-00	Plastic door liner	12	02-2658-02	Strike
3	15-0711-01	Emblem for sandalwood	13	A25929-001	Spill door hinge
	15-0808-01	Emblem for gray	14	A17302-000	Button storage
4	A17342-000	Spill Door		03-1403-15	Screw
5	no number	Awning	15	13-0617-11	O-ring
6	no number	Door Trim Cap	16	02-2809-01	Drain top
7	A25931-001	Door Trim side	17	19-0503-04	Foam tape
8	03-1285-00	Screw, into door	18	03-0727-01	Thumb screw
	03-1419-28	Screw, into cabinet	19	13-0264-00	Door gasket
			20	A25932-001	Door trim
			21	A26449-001	Cube chute

# Bins, Condensers, and Accessories Service Parts

## HTB250/350 & BH250/350 & BH450



Item Number	Part Number	Description
1	02-2806-01	Shoulder screw
2	02-2380-02	Spacer
3	A25259-001	BH450 Hinge member
	A31248-001	Hinge member, all but BH450
4	03-1417-14	Washer
5	03-1404-26	Screw
6	02-2380-01	Hinge bushing
7	03-1539-09	E ring
8	A32648-001	Door - brown
	A32648-002	Door - gray
9	13-0595-00	Door gasket (49" req.)
10	02-2857-01	HTB250/350 Door frame, brown
	02-2857-32	HTB250/350 door frame, gray
	A30820-001	BH450 Door frame & canopy
	02-2857-32	BH250AE/BH350AE Door frame
11	13-0617-11	O-ring
12	02-2809-01	Drain top, all but BH450
	A18090-000	BH450 drain top
13	A06448-000	BH450 strainer
14	15-0711-01	Emblem - for sandalwood
	15-0711-02	Emblem for gray
15	KLP7	Legs, black
	KLP8S	Legs, nickel plated
16	A32580-001	Baffle HTB only
	03-0727-06	Thumb screw for baffle
	03-1423-07	Speed nut for baffle
17	A32317-001	Canopy, all but BH450
18	02-3201-01	Drain bottom, HTB250/350 after Nov. 91 (05K)

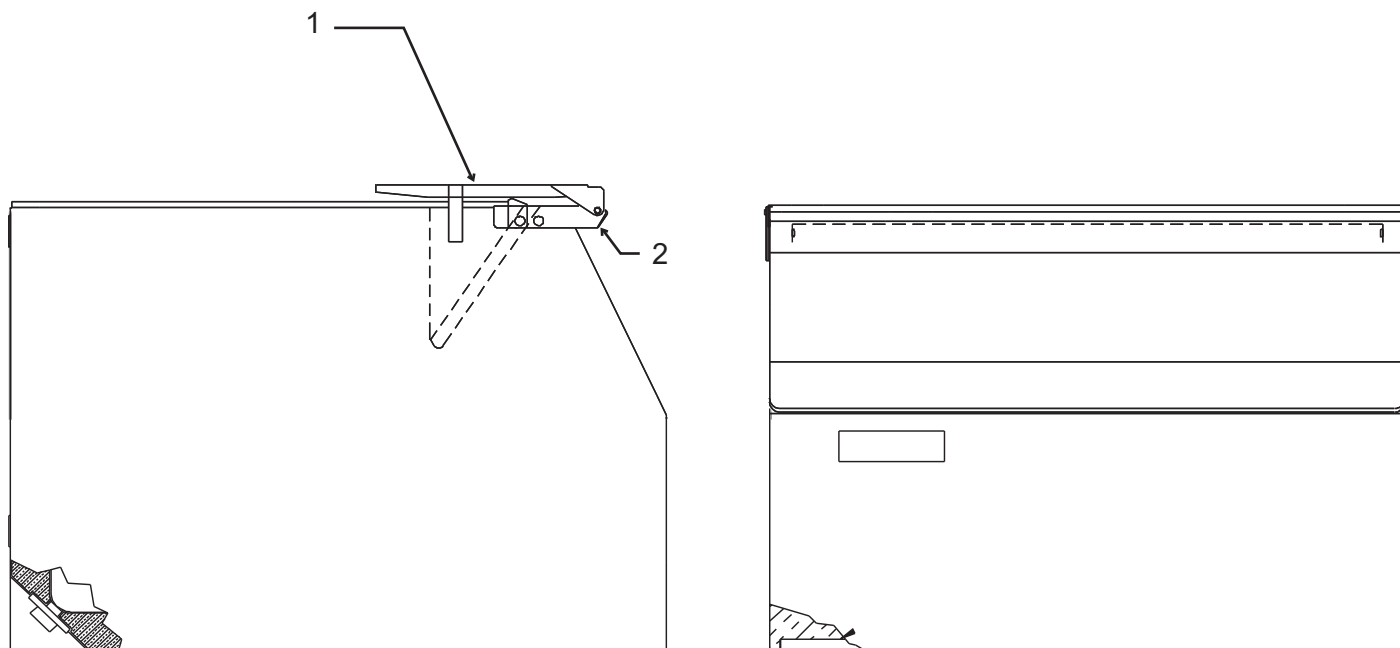


**DRAIN FITTING DETAIL**  
after serial numbers  
HTB250 489378-05K  
HTB350 488666-05K

# Bins, Condensers, and Accessories Service Parts

B230P

---

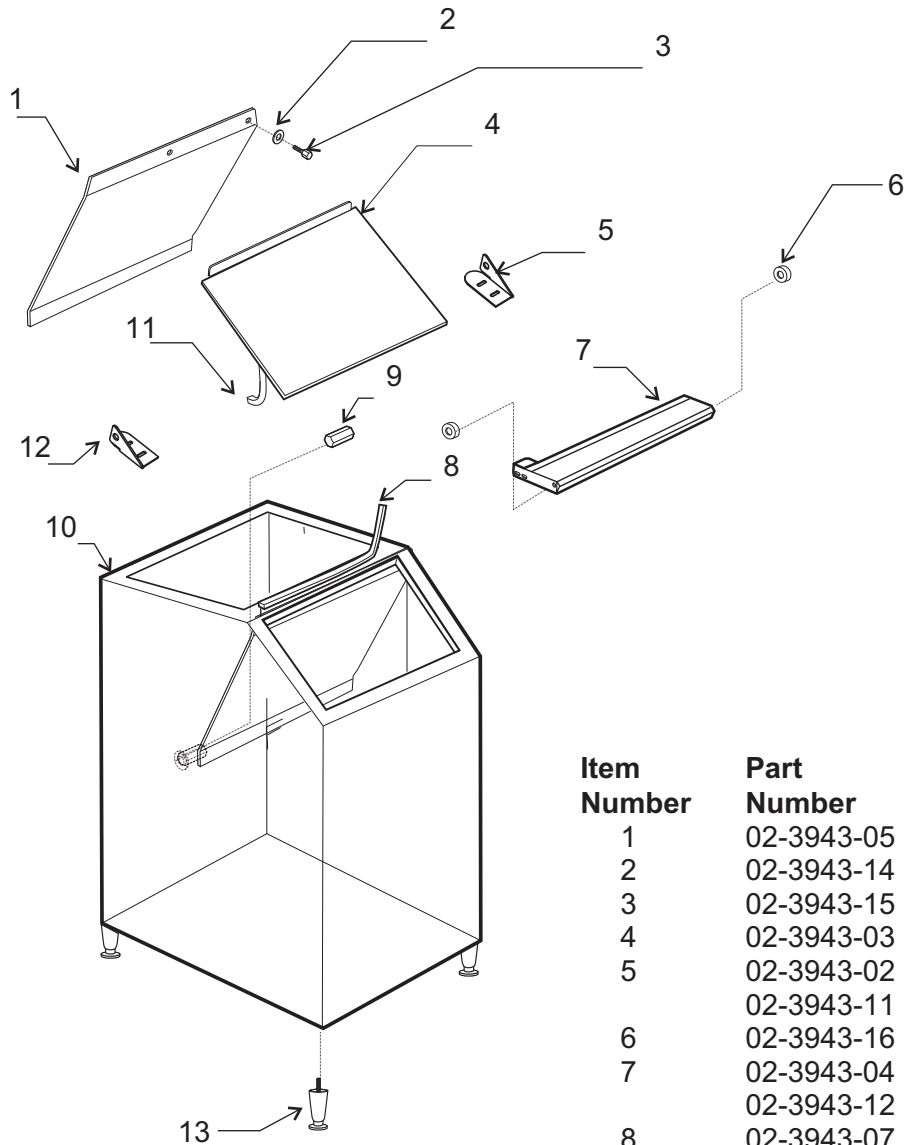


Item Number	Part Number	Description
1	02-4732-02	Door only
2	02-4654-21	Door assembly , includes door, baffle, gasket and hinges
3	02-3943-10*	Set of 4 legs for bins with "1280" in the serial number.
	KLP7	Set of 4 legs for bins with "1320" in the serial number.

\* Note: Leg Threads are  $\frac{1}{2}$  - 13. These legs will not interchange with any other Scotsman leg or caster.

# Bins, Condensers, and Accessories Service Parts

**BH360S**

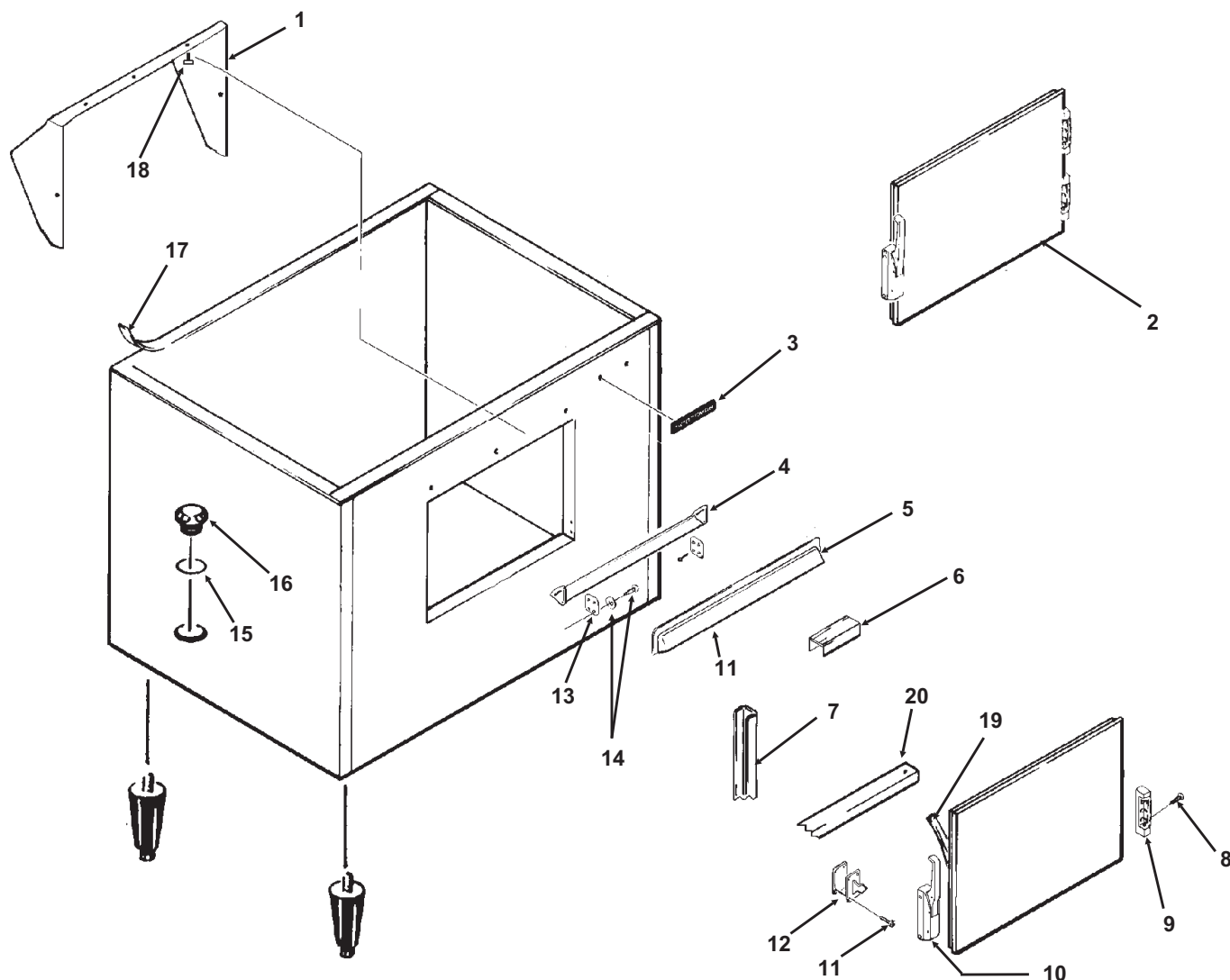


Item Number	Part Number	Description
1	02-3943-05	Ice deflector
2	02-3943-14	Rubber washer
3	02-3943-15	Thumbscrew
4	02-3943-03	Door w/gasket, w/out hinges
5	02-3943-02	Right hinge
	02-3943-11	Screw, hinge to door
6	02-3943-16	Nylon bearing
7	02-3943-04	Canopy
	02-3943-12	Screw, canopy to bin
8	02-3943-07	Gasket (per foot)
9	02-3943-13	Hex stand off
10	13-0943-02	Bin gasket tape (per foot)
11	02-3943-06	Door gasket
12	02-3943-01	Left hinge
	02-3943-11	Screw, hinge to door
13	02-3943-10	Set of 4 legs
14	02-3943-09	Connecting strap, IM to bin

Note: Leg Threads are  $\frac{1}{2}$  - 13. The legs for this bin will not interchange with any other Scotsman leg or caster.

# Bins, Condensers, and Accessories

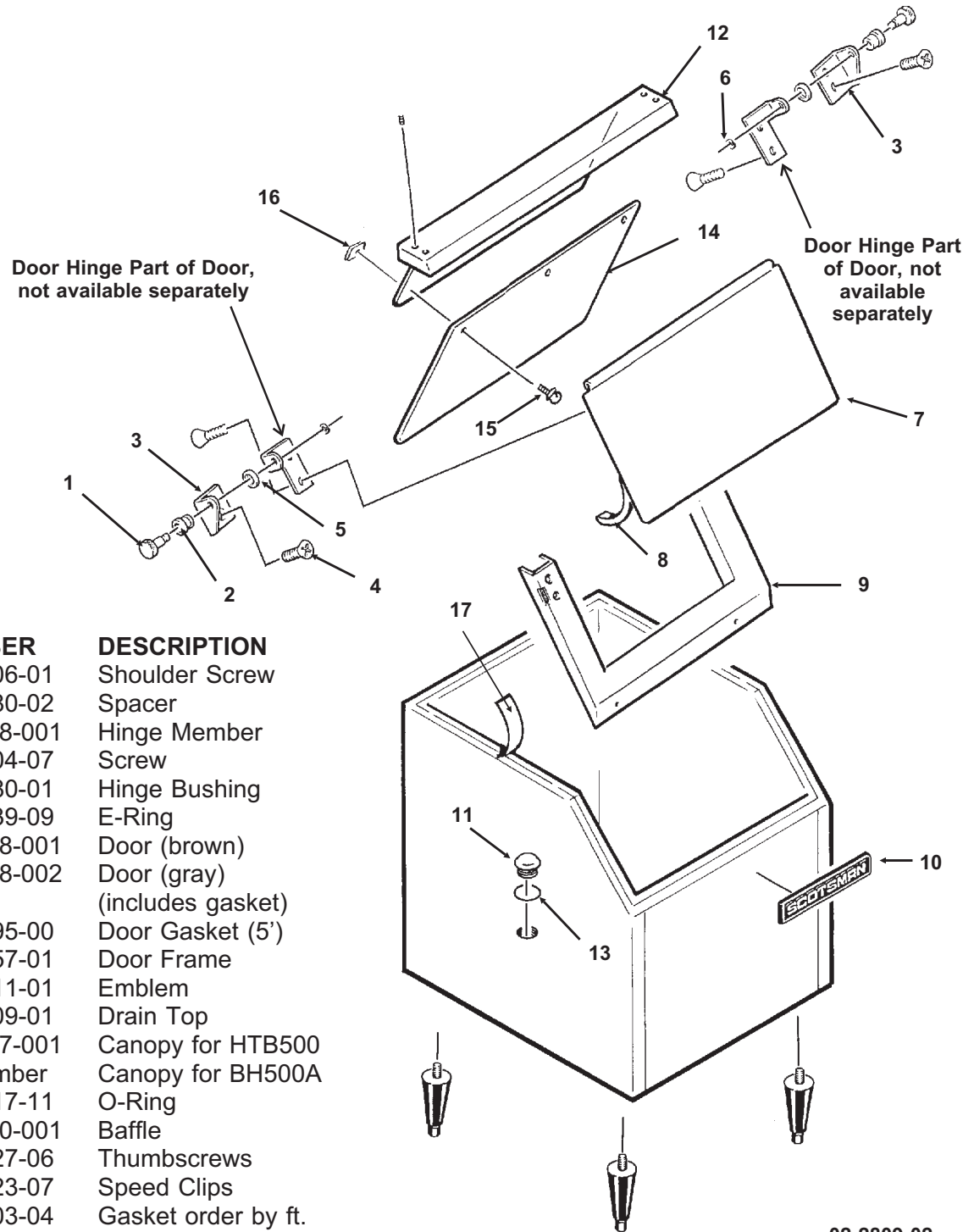
## Service Parts



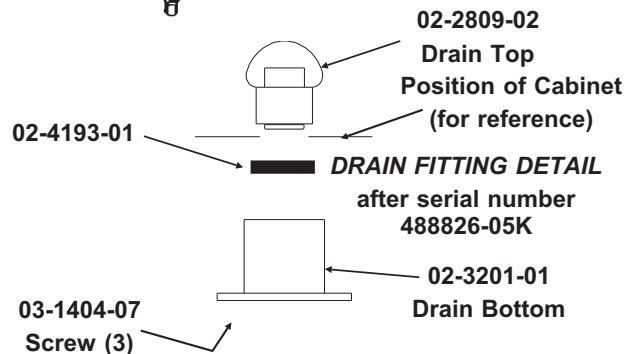
ITEM NUMBER	PART NUMBER	DESCRIPTION	ITEM NUMBER	PART NUMBER	DESCRIPTION
1	02-3991-01	Baffle	10	02-2658-01	Latch
2	02-3991-02	Complete door, SS		02-3991-12	Screw, into door
	02-3991-03	Plastic door liner	11	02-3991-13	Screw, into cabinet
3	15-0711-02	Emblem for gray	12	02-2658-02	Strike
4	02-3991-04	Spill Door	13	02-3991-15	Spill door hinge
5	02-3991-05	Awning	14	02-3991-16	Screw
6	02-3991-06	Door Trim Cap	15	13-0617-11	O-ring
7	02-3991-07	Door Trim side	16	02-2809-01	Drain top
	02-3991-17	Support, attaches to item 7	17	19-0503-04	Foam tape
8	02-3991-08	Screw, into door or cabinet	18	03-0727-01	Thumb screw
9	02-2658-03	Hinge	19	02-3991-18	Door gasket
	02-2658-04	Hinge Cover	20	02-3991-19	Door trim

# Bins, Condensers, and Accessories Service Parts

**HTB500/BH500A**



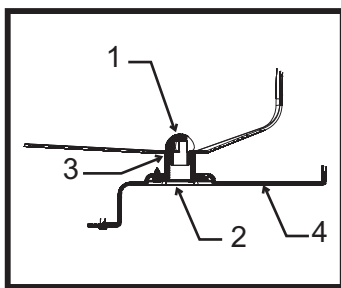
ITEM NUMBER	PART NUMBER	DESCRIPTION
1	02-2806-01	Shoulder Screw
2	02-2380-02	Spacer
3	A31248-001	Hinge Member
4	03-1404-07	Screw
5	02-2380-01	Hinge Bushing
6	03-1539-09	E-Ring
7	A32648-001	Door (brown)
	A32648-002	Door (gray) (includes gasket)
8	13-0595-00	Door Gasket (5')
9	02-2857-01	Door Frame
10	15-0711-01	Emblem
11	02-2809-01	Drain Top
12	A32317-001	Canopy for HTB500
	no number	Canopy for BH500A
13	13-0617-11	O-Ring
14	A32580-001	Baffle
15	03-0727-06	Thumbscrews
16	03-1423-07	Speed Clips
17	19-0503-04	Gasket order by ft.



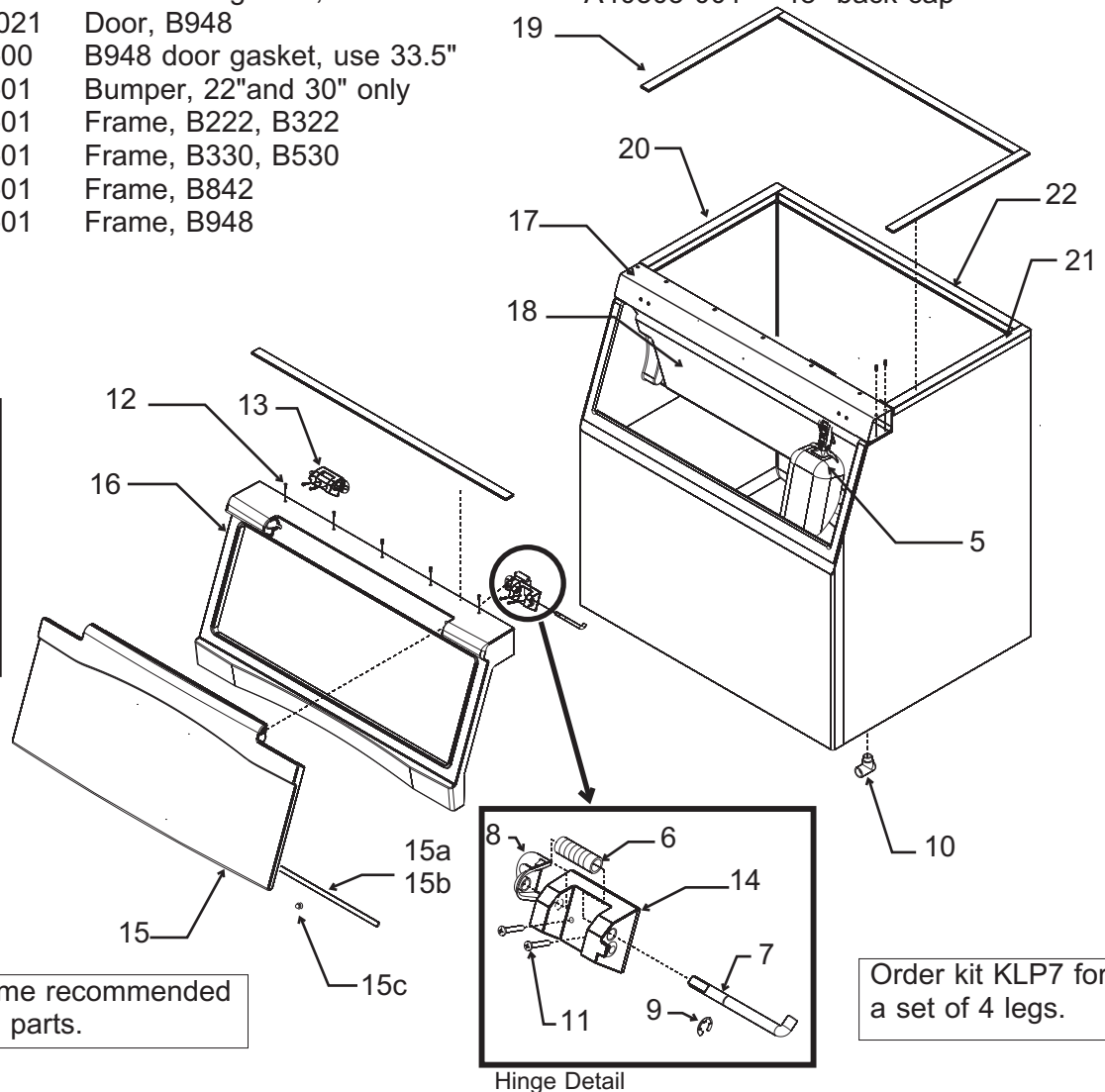
# Bins, Condensers, and Accessories Service Parts

## B222, B322, B330, B530, B842, B948

Item Number	Part Number	Description		Part Number	Description
1	02-2809-01	Drain top	17	A38920-001	Canopy, B222, B322
2	02-3108-01	Drain fitting		A38921-001	Canopy, B330, B530
3	02-4193-01	Drain gasket		A38922-001	Canopy, B842
4	02-4234-01	Drain panel, SS only	18	A38923-001	Canopy, B948
5	02-0540-01	Scoop		A38910-001	Baffle, B222, B322
6	03-3876-01	Spring*		A38911-001	Baffle, B330, B530
7	03-3874-01	Hinge pin*		A38912-001	Baffle, B842
8	13-0946-01	Hinge gasket	19	A38913-001	Baffle, B948
9	03-1539-12	E clip*		13-0943-02	Gasket, 22" use 86"
10	05-0586-01	Elbow for drain			Gasket, 30" use 102"
11	03-1403-71	Screw, hinge to canopy	20	A40299-001	Gasket, 42" use 126"
12	03-1418-30	Screw, frame to canopy		A40299-001	Gasket, 48" use 136"
13	02-4232-01	Left hinge mount*	21	A39241-001	Left cap - SS bin
14	02-4233-01	Right hinge mount*		A39240-001	Left cap - plastic bin
15	A38914-021	Door, B222, B322	21	A40299-002	Right cap - SS bin
	A38915-021	Door, B330, B530		A39240-001	Right cap - plastic bin
	A38916-021	Door, B842	22	A40300-001	22" back cap
15a	13-0595-00	B842 door gasket, use 27.5"		A40301-001	30" back cap
	A38917-021	Door, B948		A40302-001	42" back cap
15b	13-0595-00	B948 door gasket, use 33.5"		A40303-001	48" back cap
15c	02-4235-01	Bumper, 22"and 30" only			
16	02-4236-01	Frame, B222, B322			
	02-4237-01	Frame, B330, B530			
	02-4238-01	Frame, B842			
	02-4239-01	Frame, B948			



Drain Detail



Hinge Detail

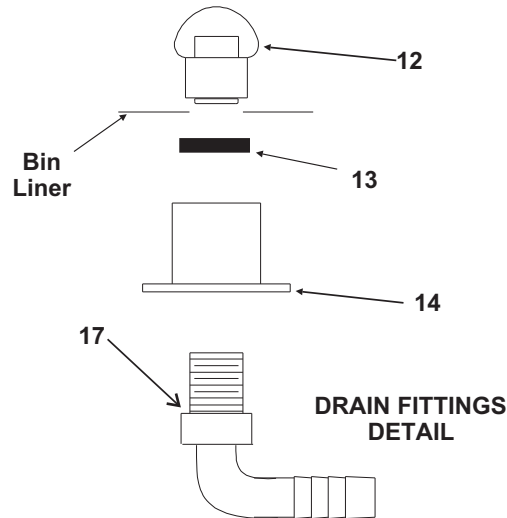
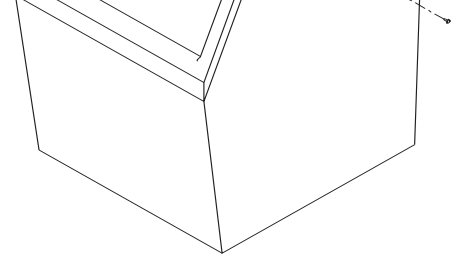
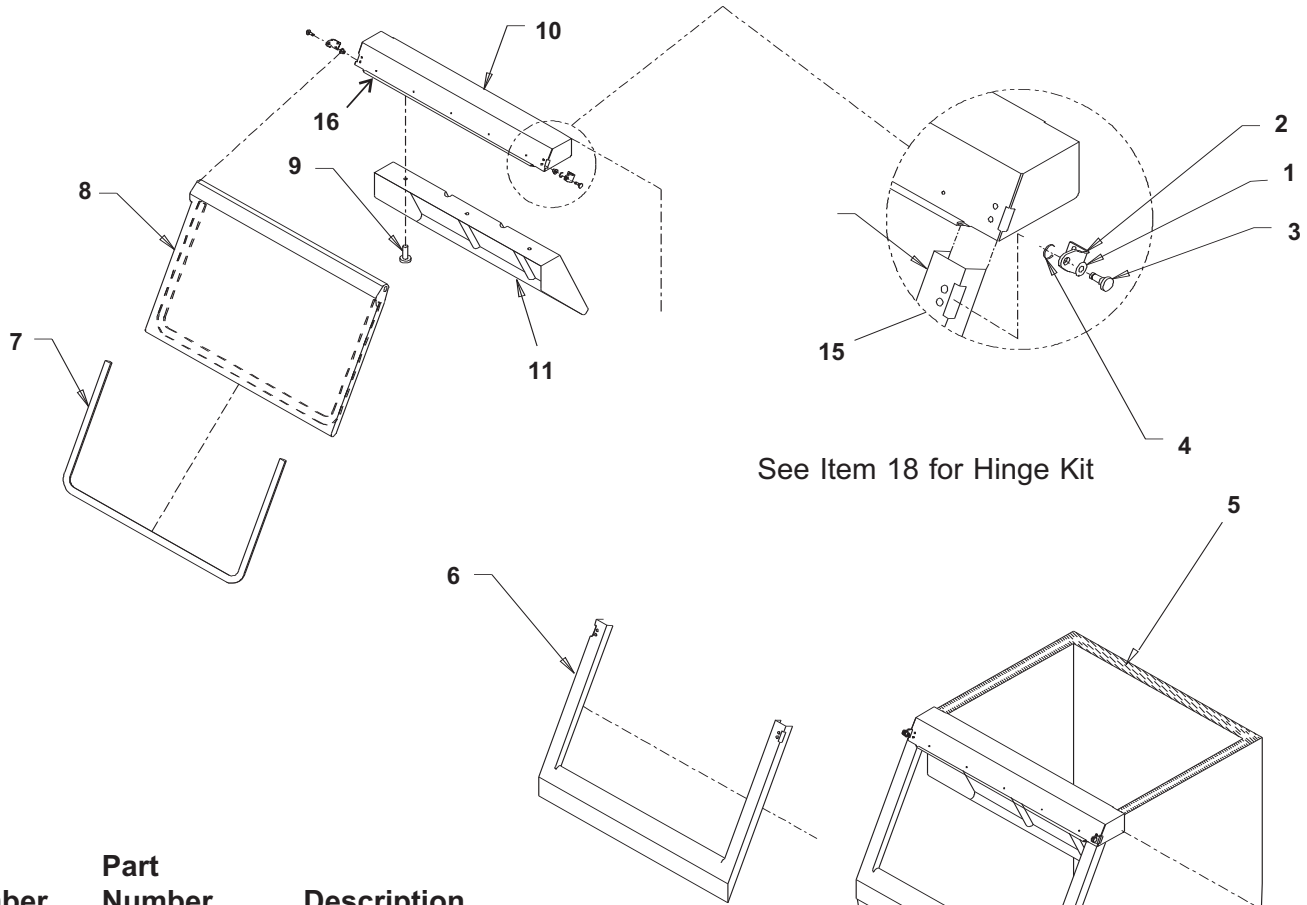
\* Replacement of frame recommended when servicing hinge parts.

Order kit KLP7 for a set of 4 legs.



# Bins, Condensers, and Accessories Service Parts

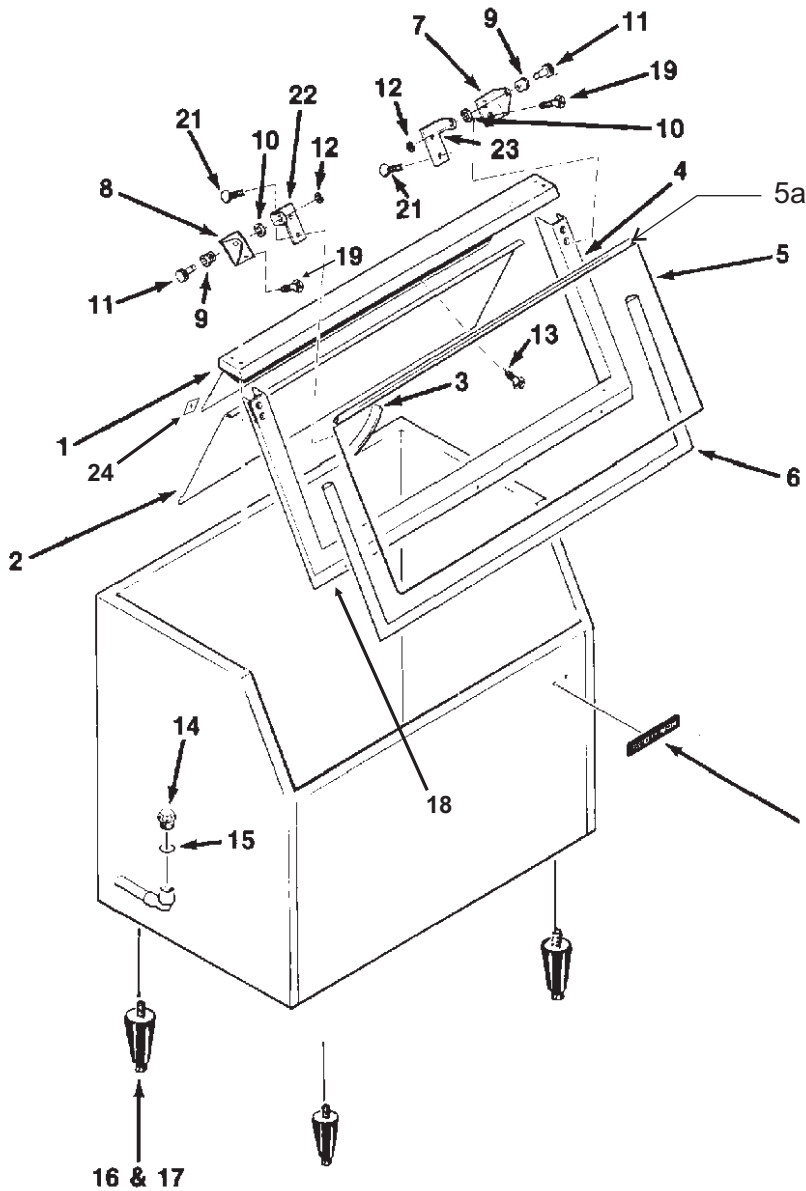
**HTB555**



Item Number	Part Number	Description
1	02-2380-02	Spacer
2	02-3196-01	Hinge
3	02-2806-01	Shoulder screw
4	03-1539-09	E-Ring
5	19-0503-04	Gasket - 9 ft.*
6	02-3274-01	Door frame -Brown
	02-3274-32	Door frame - Grey
7	13-0909-01	Door gasket - 58"
8	A36481-021	Door - Brown incl #7
	A36481-022	Door - Grey incl #7
9	03-0727-11	Thumb screw
10	A35637-001	Canopy
11	A37310-001	Baffle
12	02-2809-02	Drain top
13	02-4193-01	Flat washer
14	02-3108-01	Drain bottom
15	03-1418-07	Screw for hinge
16	02-3202-02	Trim guard
17	05-0586-01	Drain elbow
18	A40021-021	Hinge kit, includes 2 of items 1, 2, 3 and 4; plus 4 of item 15.
Not shown	02-0540-01	Scoop

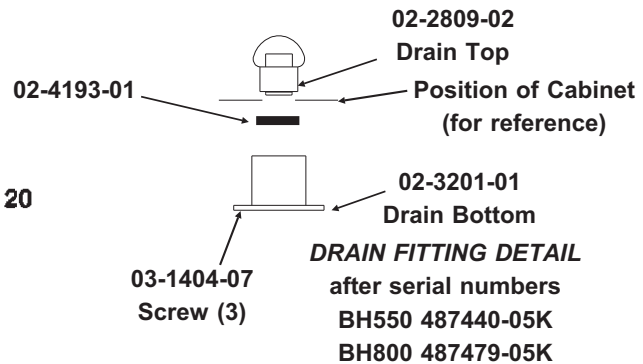
# Bins, Condensers, and Accessories Service Parts

## BH800/BH550



Note: C series has rounded corners

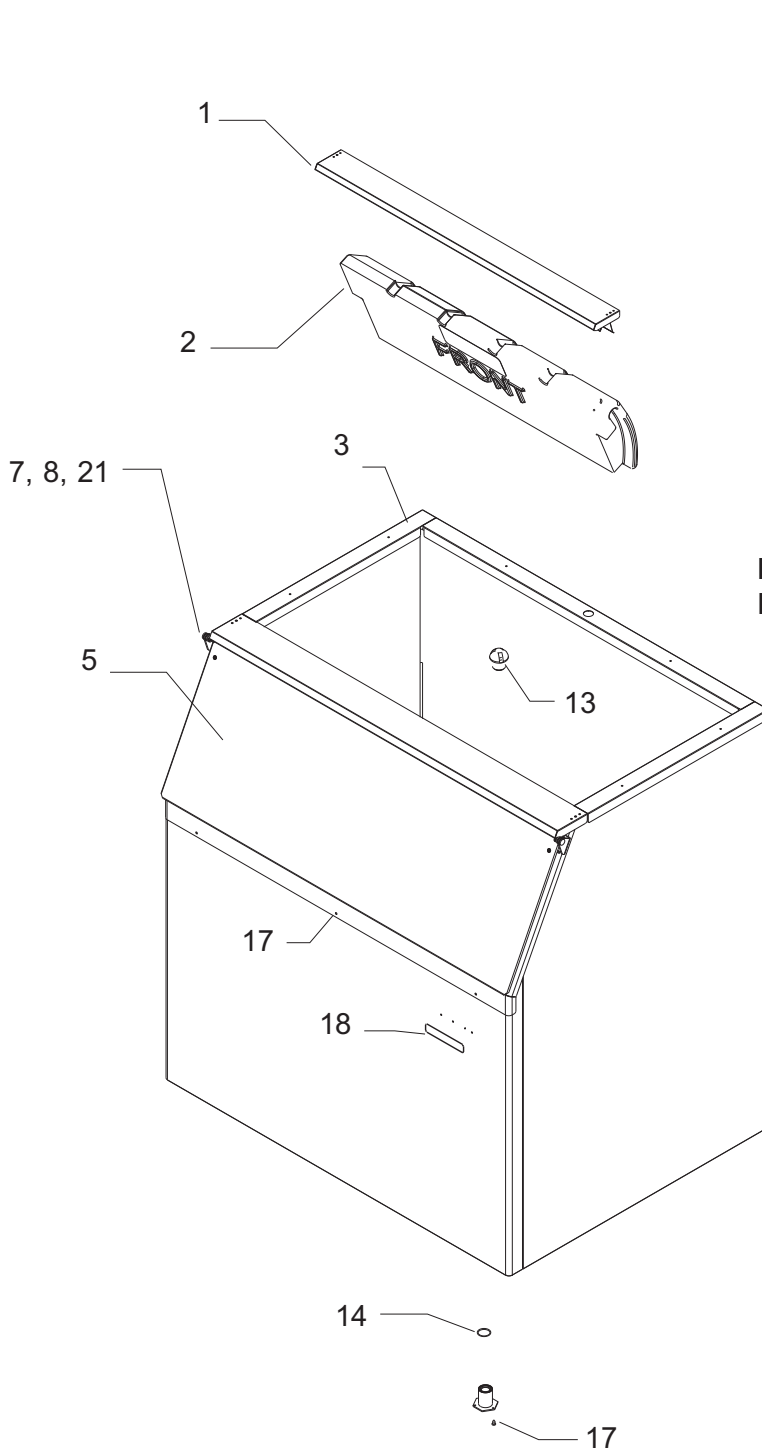
Left Bin Channel: A35506-001  
 Right Bin Channel: A35507-001  
 Rear Bin Channel: A35508-001



ITEM NUMBER	BH800 PART NUMBER	BH550 PART NUMBER	DESCRIPTION	ITEM NUMBER	BH800 PART NUMBER	BH550 PART NUMBER	DESCRIPTION
1	A32408-001	A33921-001	Canopy	12	03-1539-09	same	E-Clip
2	A32410-001	A32580-001	Baffle	13	03-0727-00	same	Thumb Screw
3	19-0503-04	same	Gasket	14	02-2809-01	same	Drain Top
4	A32418-020	A33922-020	Door Frame	15	13-0617-11	same	O-Ring
	A37640-021	A37639-021	Door Frame, C series	16	KLP7	same	Legs, painted
5	A32419-020	A33938-020	Door, incl 5a, 6, 22, 23	17	KLP8S	same	Legs, S.S.
5a	02-2881-02	02-2881-03	Drip molding	18	03-1404-07	same	Screw
6	13-0595-00	same	Door Gasket	19	03-1360-02	same	Screw
	(10')	(6')	order per foot	20	15-0711-01	same	Emblem
7	A32396-002	same	Hinge Rt.	21	03-1418-41	same	Screw
8	A32396-001	same	Hinge Left	22	A32546-001	same	Door Hinge Lft
9	02-2380-01	same	Hinge Bushing	23	A32546-002	same	Door Hinge Rt.
10	02-2380-02	same	Hinge Spacer	24	03-1423-07	same	Speed Nut for Baffle
11	02-2806-01	same	Shoulder Screw				

# Bins, Condensers, and Accessories Service Parts

BH801



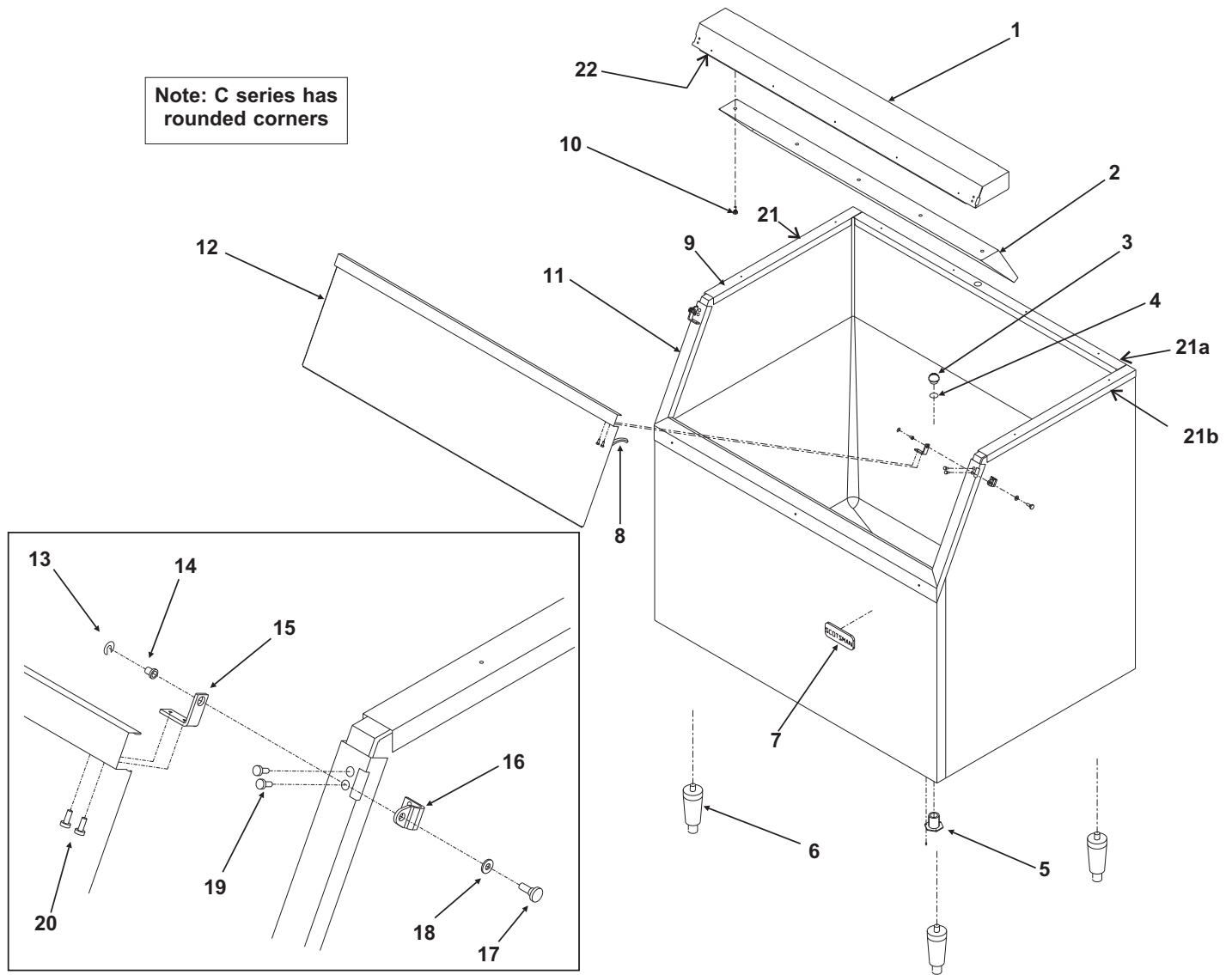
ITEM NUMBER	PART NUMBER	DESCRIPTION
1	A38434-001	Canopy
2	A38476-001	Baffle
3	19-0503-04	Gasket order per foot
4	A37640-021	Door Frame,
5	A32419-020	Door, incl 5a, 6, 21, 22
5a	02-2881-02	Drip molding
6	13-0595-00	Door Gasket (10')*
7	A32396-002	Hinge Rt.
8	A32396-001	Hinge Left
9	02-2380-01	Hinge Bushing
10	02-2380-02	Hinge Spacer
11	02-2806-01	Shoulder Screw
12	03-1539-09	E-Clip
13	02-2809-02	Drain Top
14	02-4193-01	Flat washer
15	02-3201-01	Drain bottom
16	KLP7	Legs, painted set of 4
	KLP8S	Legs, S.S. set of 4
17	03-1404-07	Screw - frame to bin
18	03-1419-09	Screw - hinge to frame
19	15-0808-01	Emblem
20	03-1418-24	Screw - hinge to door
21	A32546-001	Door Hinge Lft
22	A32546-002	Door Hinge Rt.

# Bins, Condensers, and Accessories

## Service Parts

**BH900**

Note: C series has rounded corners



ITEM NUMBER	PARTS NUMBER	DESCRIPTION
1	A35322-020	Canopy Assembly
2	A35152-001	Ice Baffle
3	02-2809-01	Drain Top
4	02-4193-01	Flat washer
5	02-3201-01	Drain casting
6	KLP7	Leg Kit, Black
7	15-0711-01	Emblem
8	13-0595-00	Door gasket (6.25' reg.)
9	19-0503-04	Bin gasket / ft
10	03-0727-11	Baffle screw
11	A35275-001	Door frame assy.
	A37641-021	Door frame, BH900S-C
12	A35323-020	Door w/gasket - BH900
13	03-1539-09	"E" ring
14	02-2380-01	Hinge bushing
15	02-3195-01	Door hinge

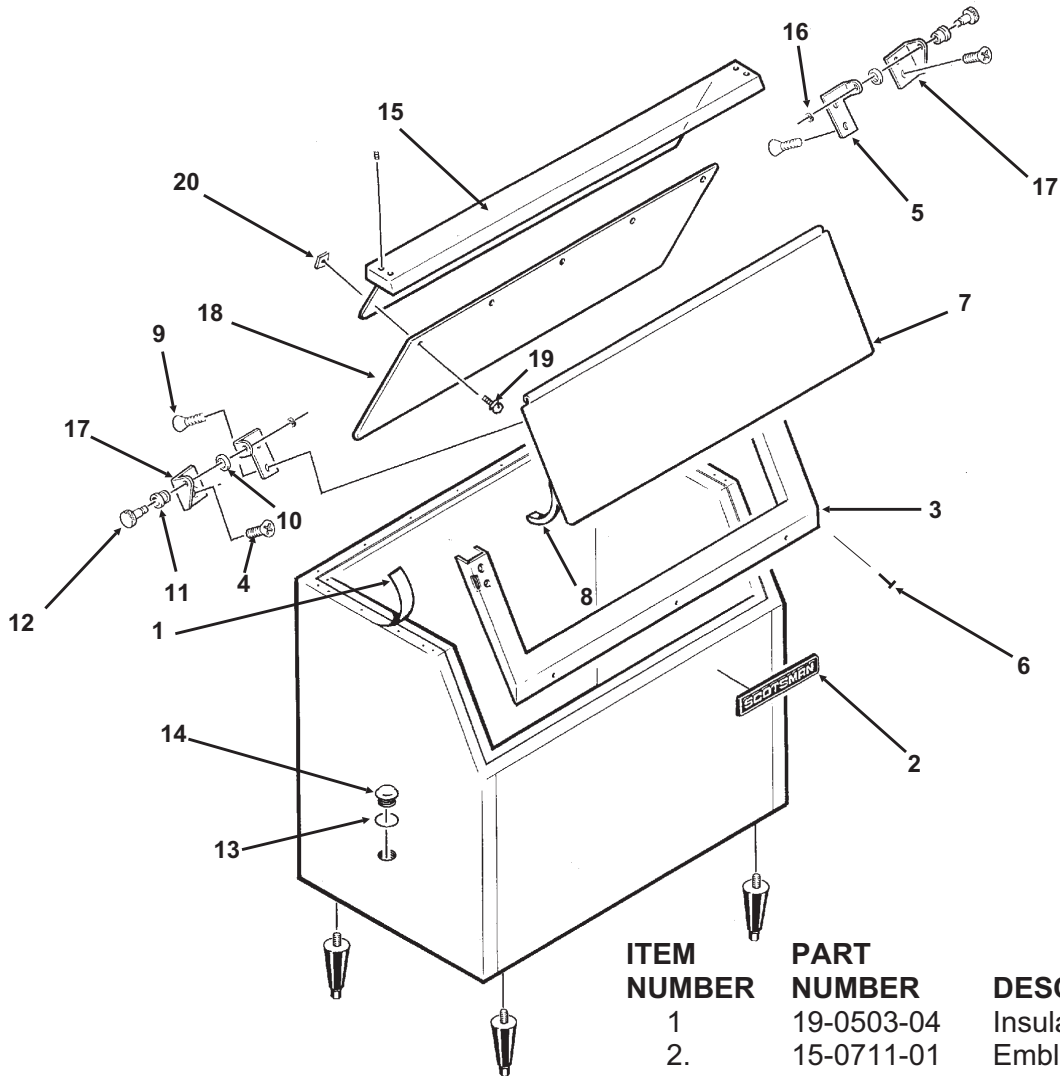
ITEM NUMBER	PARTS NUMBER	DESCRIPTION
16	02-3196-01	Bin hinge
17	02-2806-01	Shoulder screw
18	02-2380-02	Spacer
19	03-1403-29	Screw 10-24
20	03-1403-24	Screw 10-24
21	A35280-001	Left bin channel
21a	A35311-001	Back bin channel
21b	A35279-001	Right bin channel
22	02-3202-02	Trim guard - order 2 and trim to fit.

Note: There were a few BH900CE/CS bins made in the early 1990s that used a **different** door, hinge & pin: Most BH900s did NOT use these parts.

12	02-3222-01	Door, BH900CE or CS
	02-3225-01	Hinge kit, BH900CE
	02-3226-01	Pivot pin set, BH900CE

# Bins, Condensers, and Accessories Service Parts

## BH1000



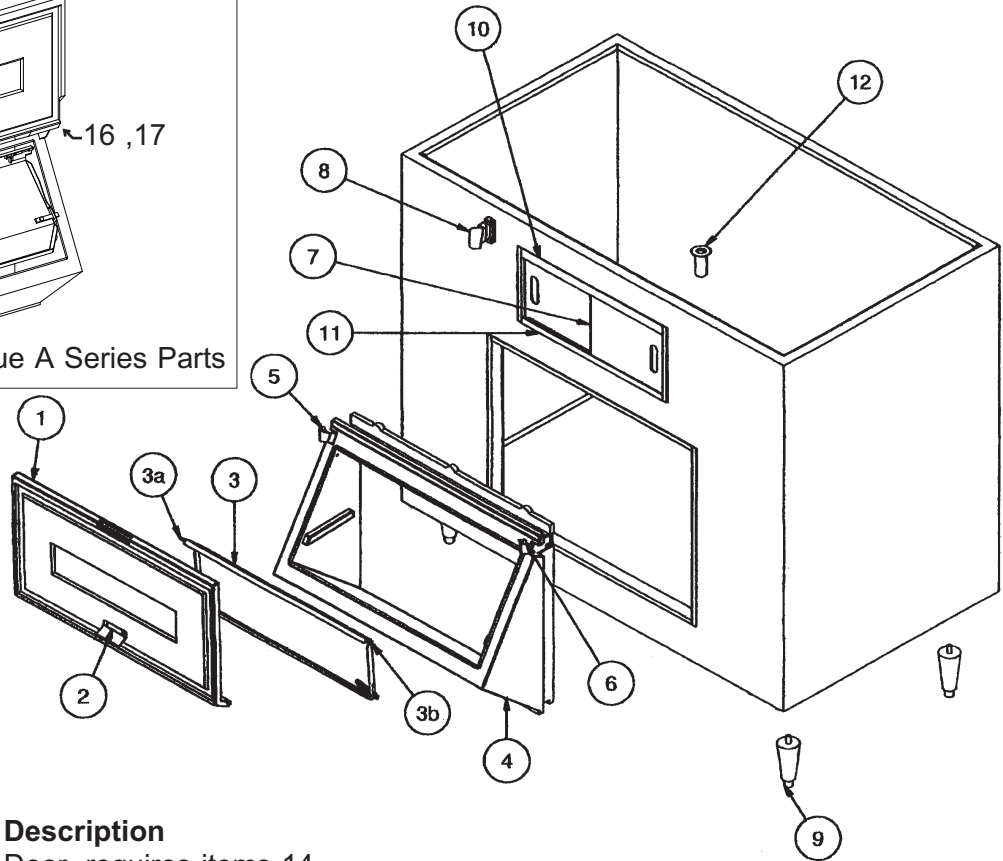
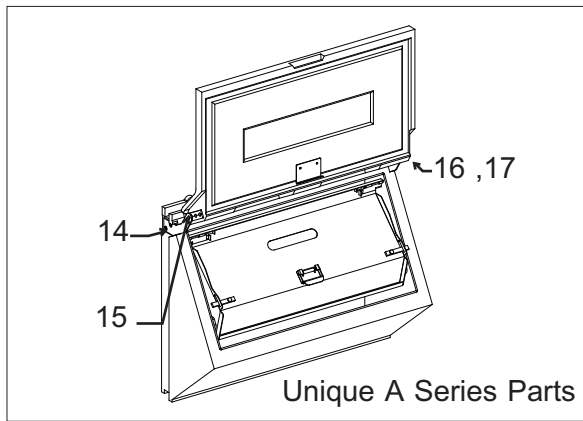
Note: There are three distinct BH1000 bins:

- BH1000 with a stainless steel liner uses bin door size 49.5" x 15" part number A32572-020.
- BH1000A - (plastic liner) is as illustrated, using the parts list to the right. Door size = 52 x 15
- BH1000C - door is 51 x 15
  - 02-3223-01 Door
  - 13-0595-00 Gasket / ft
  - 02-3225-01 Hinge kit
  - 02-3226-01 Pivot pin set

ITEM NUMBER	PART NUMBER	DESCRIPTION
1	19-0503-04	Insulating Tape
2.	15-0711-01	Emblem
3.	A32521-001	Door Frame
4.	03-1360-02	Screw
5.	A32546-002	Right Door Hinge
6.	03-1404-07	Screw
7.	A32518-020	Door
8.	13-0595-00	Door gasket, req.7'
9.	A32546-001	Left Door Hinge
10.	02-2380-01	Hinge Bushing
11.	02-2380-02	Bushing
12.	02-2806-01	Screw
13.	13-0617-11	O-Ring
14.	02-2809-01	Drain top
15.	A32395-001	Canopy Assembly
16.	03-1539-09	E-Ring
17.	A32396-001	Hinge Member Left
	A32396-002	Hinge Member Right
18	A32399-001	Baffle
19	03-0727-06	Screw
20	03-1423-07	Speed Clip

# Bins, Condensers, and Accessories Service Parts

## BH1100, BH1300, BH1600



Item Number	Part Number	Description
1	02-4008-27	Door, requires items 14 and 16 when replacing non-spring loaded doors.
2	02-4008-03	Baffle latch bracket
3	02-4008-04	Baffle assembly
3a	02-4008-23	LH & RH spring loaded hinge kit
4	02-4008-07	Snout
5	02-4008-24	LH & RH door hinges
6	part of item 5	RH door hinge
7	02-4008-10	Window (set of 2)
8	02-4008-11	Door latch, not used on A
9	02-4008-12	Leg - each
	KLP7	Leg, kit of 4, after Dec. 05 production
10	02-4008-25	Upper & lower window tracks
11	part of item 10	Lower window track
12	02-4008-15	1" plastic drain- includes nut and washer

### A Series Parts Not Interchangeable with prior

14	02-4008-28	LH hinge bracket
15	02-4008-26	LH spring loaded hinge
16	02-4008-29	RH hinge bracket
17	02-4008-32	RH spring loaded hinge

### Not Shown

02-4008-16	SS Top Support Frame
02-4008-17	48" Plastic Top*
02-4008-18	60" Plastic Top*
02-4008-19	9" Filler Panel
02-4008-20	13 1/2" Filler Panel

Note: Above filler panels are 21.5" long and changed in late 2005 to these:

02-4008-21 - 20.5" long 9 inch filler panel

02-4008-22 - 20.5" long 13.5 inch filler panel

Check serial number date code or opening size to confirm which filler panel to use.

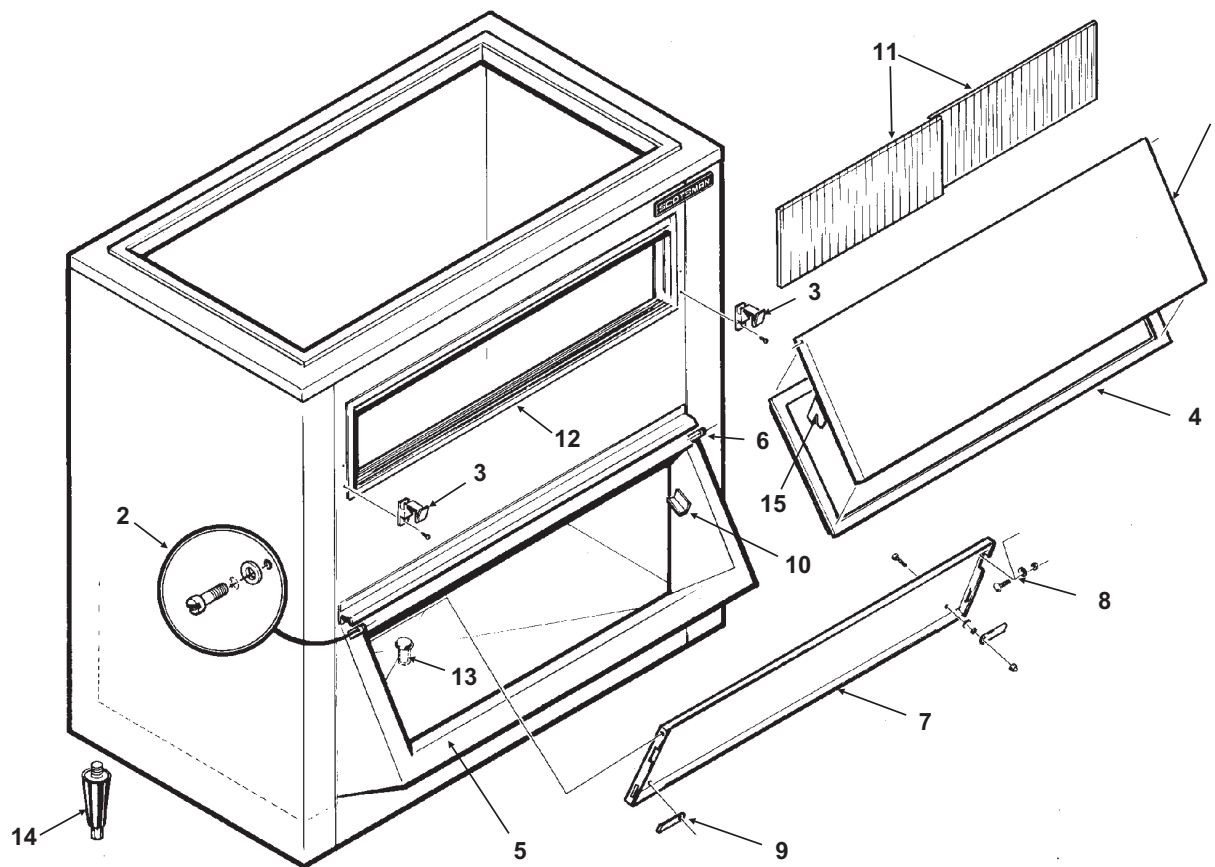
\* hole 45" wide x 20.5 deep

Hole in plastic top changed in late 2005, prior top no longer available.

# Bins, Condensers, and Accessories

## Service Parts

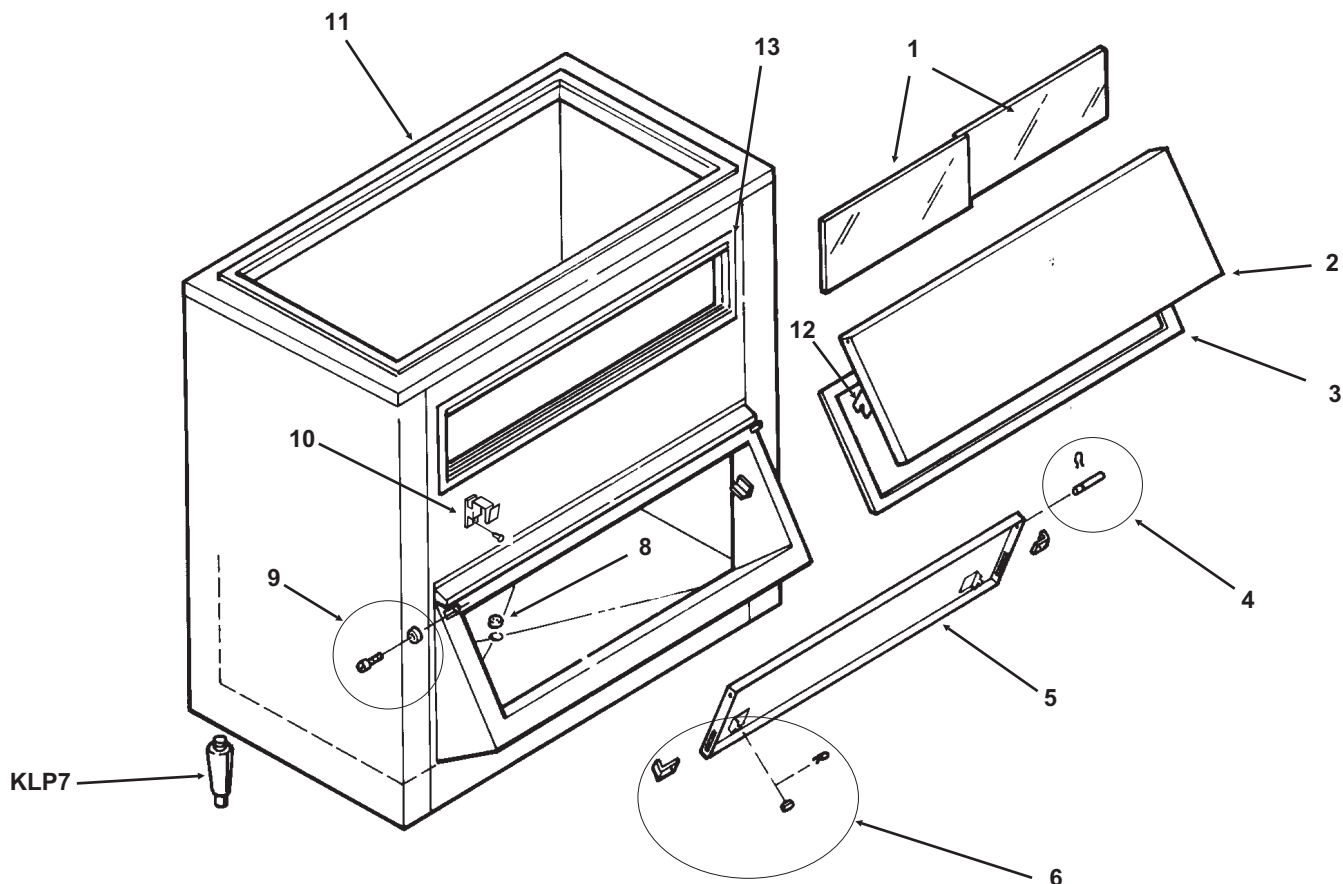
BH1351/BH1352/BH1360



Item Number	Part Number	Description
1	A34447-001	Lift door
2	A34448-001	Pivot pin kit
3	A34449-001	Lift door catch
4	A34450-001	Gasket
5	A34451-001	Frame assembly
6	A34452-001	Hinge
7	A34453-001	Ice check door
8	A34454-001	Pivot pin kit for ice check door
9	0501304	Lock bar for ice check door
10	A34456-001	Bumper bracket
11	02-3769-16	Inspection door
12	A34458-001	Track assembly
13	A34459-001	Drain fitting
14	A34460-001	Legs, set of 4
15	0501304	Catch

# Bins, Condensers, and Accessories Service Parts

**BH1370**

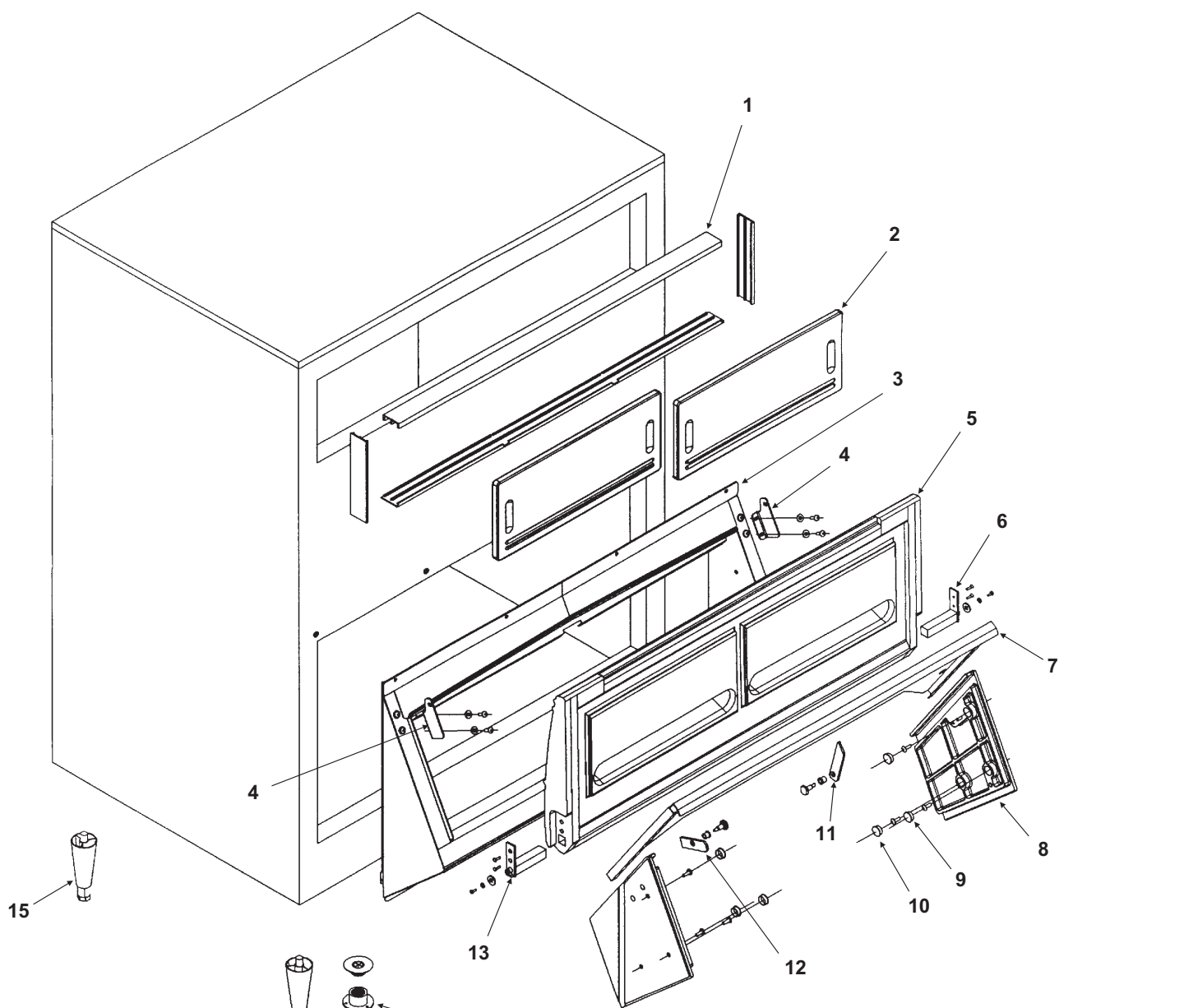


Item Number	Part Number	Description
1	02-3769-16	Inspection door
2	A34447-001	Lift door
3	A34450-001	Gasket
4	02-3603-01	Check door pin kit, set of 2
5	02-3602-01	Ice check door
6	02-3604-01	Lock bar kit, set of 2
7	02-3601-01	Door frame and chute
8	02-3607-01	Drain fitting
9	A34448-001	Door pin kit
10	A34449-001	Lift door catch
11	19-0503-04	Gasket, order by the foot
12	02-3609-01	Check door catch
13	A34458-001	Track kit, complete set



# Bins, Condensers, and Accessories Service Parts

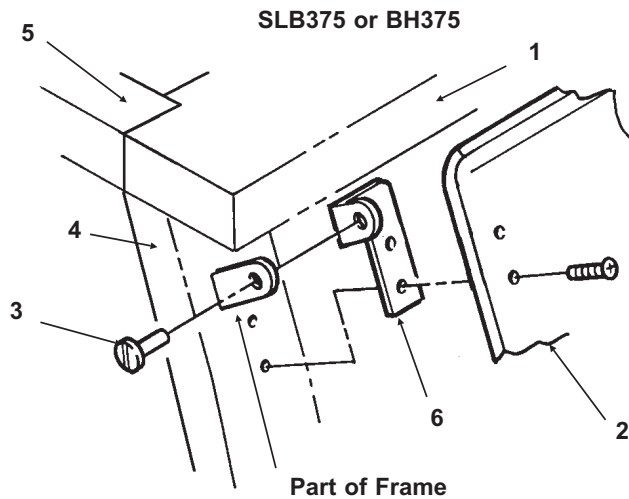
## BH1356, BH1650, BH1366 & BH1666 Ice Storage Bin



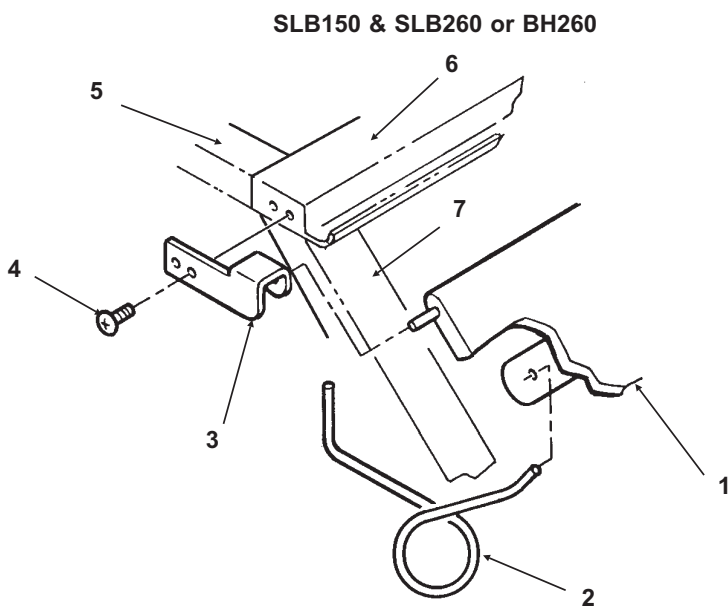
Item Number	Part Number	Description	Item Number	Part Number	Description
1	02-3769-02	Track	8	02-3769-12	End plate guide (pair)
2	02-3769-16	Window	9	02-3769-13	Screws for end plate
3	02-3769-04	Lower frame assy, BH1356 or BH1650	10	02-3769-14	Plugs for end plate
	02-3769-20	Lower frame assy, BH1366 or BH1666	11	02-3769-10	Catch for end plate
4	02-3769-08	Left & right hinges (pair)	12	02-3769-15	Ice gate retainer
5	02-3769-05	Door with door hinges	13	02-3769-06	Left hinge
6	02-3769-07	Right hinge	14	02-3769-01	Plastic drain
7	02-3769-09	Ice gate, BH1356 or BH1650	15	KLP7	Legs
	02-3769-21	Ice gate, BH1366 or BH1666			
			Not Illustrated		
				02-3769-18	Optional Probe tool
				02-3769-19	Optional Plastic ice shovel
				02-3775-01	Z brackets
				03-1645-01	Screw for Z brackets
				02-3769-17	Gasket (only for BH1366 or BH1666)

# Bins, Condensers, and Accessories Service Parts

## SLB150, SLB260/BH260, SLB375/BH375



Item Number	Part Number	Description
1	C80211705	Canopy
2	C80230902	Bin door assembly (includes hinge)
3	C80206901	Hinge pin
4	C80209504	Door frame assembly
5	19-0503-04	Gasket tape, 90"
6	C80206601	Hinge for door, rt
	C80206602	Hinge for door, left
Not illustrated:		
7	C80399201	Clear button
8	C80511301	Baffle



Item Number	Part Number	Description
1	C19475304	Door Assembly
2	C19629100	Door spring
3	C80299602	Left door hinge
	C80299601	Right door hinge
4	C19632604	Hinge pin
5	19-0503-04	Gasket tape, 90"
6	C80307602	Canopy
7	C80309002	Door frame assy
SLB150 Only		
	C34196203	Bin thermo bracket

**Bin Drain Parts:**  
 BH375, SLB375, BH260 and SLB260  
 Female fitting, pn C80205501  
 Male fitting, pn C80205301  
 Flanged hex nut, pn C80205401  
 SLB150  
 Drain fitting, pn C36619500  
 Drain cup, pn C36619600  
 Drain cap, pn C36619400

**Not Shown**

**KSLDK Key Mech. Kit (Slimline)**

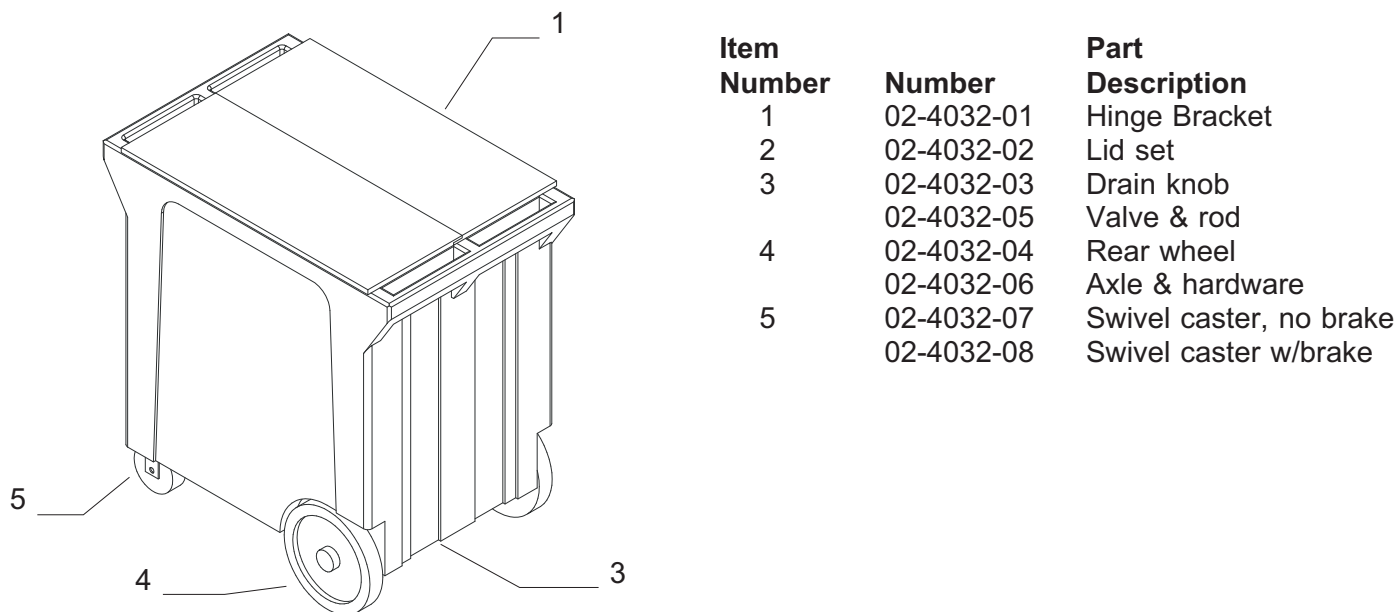
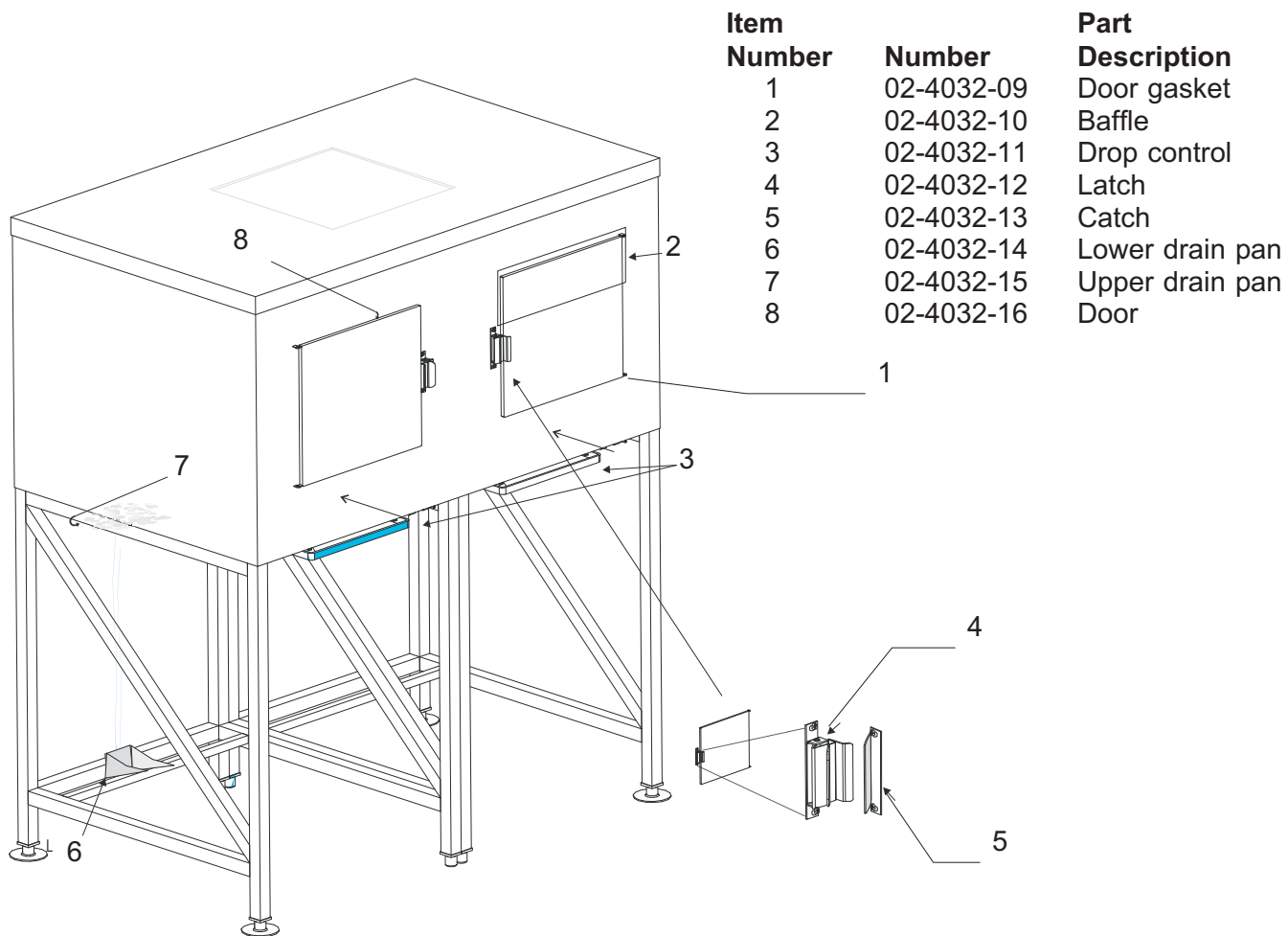
Item Number	Part Number	Description
1	C26203100	Micro switch
2	C42647900	Brass lock housing
3	C42792800	Switch bracket
4	C80417803	Key mech
5	C80575503	Coin mech cover

**KSLDC, Coin Mech Kit (Slimline)**

Item Number	Part Number	Description
1	C18223900	Term. board
2	12-2858-02	Control Relay
3	C80457301	Coin slide mech.
4	C80457401	Coin box
5	C80457501	Mounting plate
6	C80565701	Timer

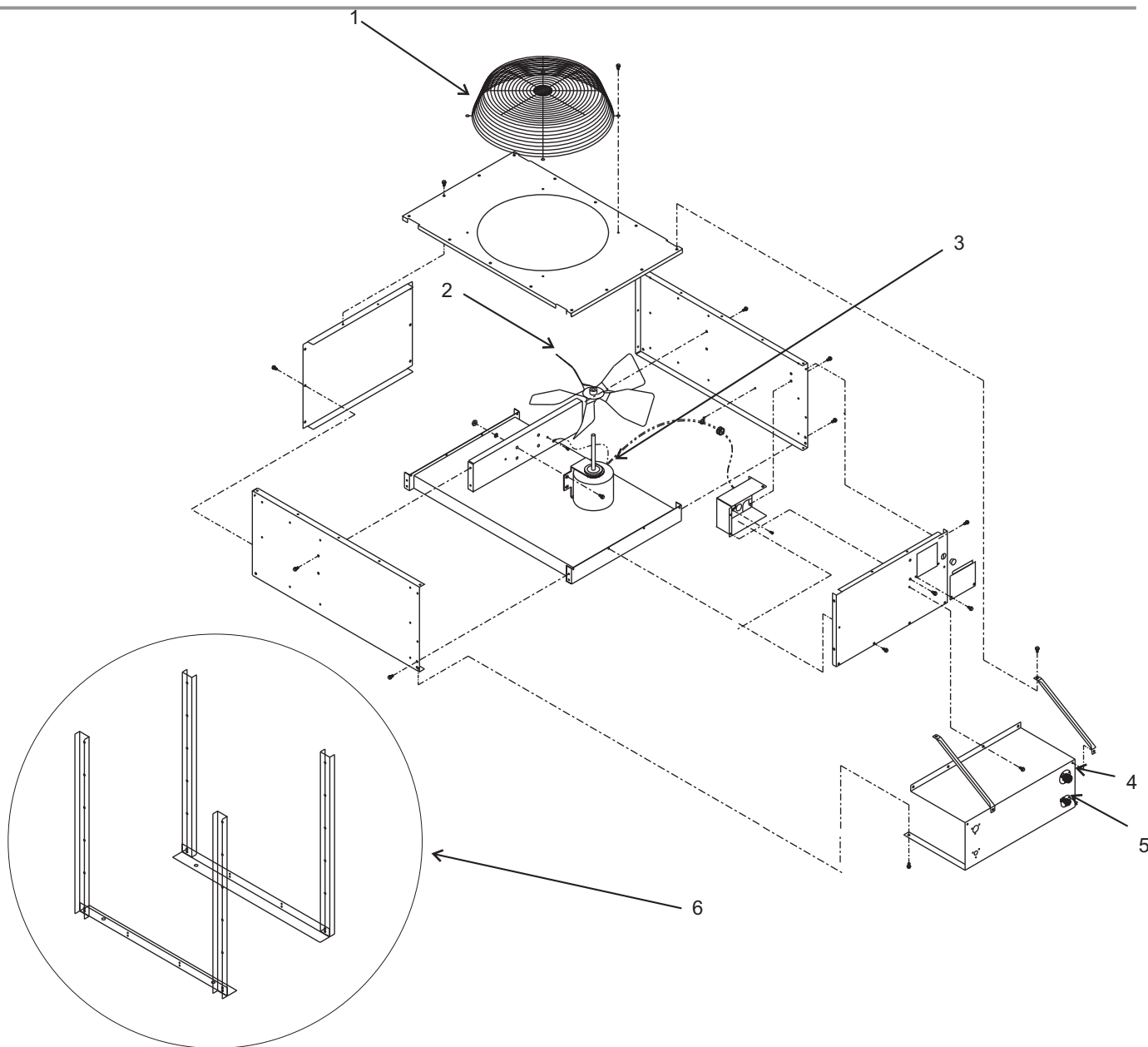
# Bins, Condensers, and Accessories Service Parts

## Ice Cart Systems (ICS1, ICS2, ICS3)



# Bins, Condensers, and Accessories Service Parts

## ERC Horizontal Coil Condenser

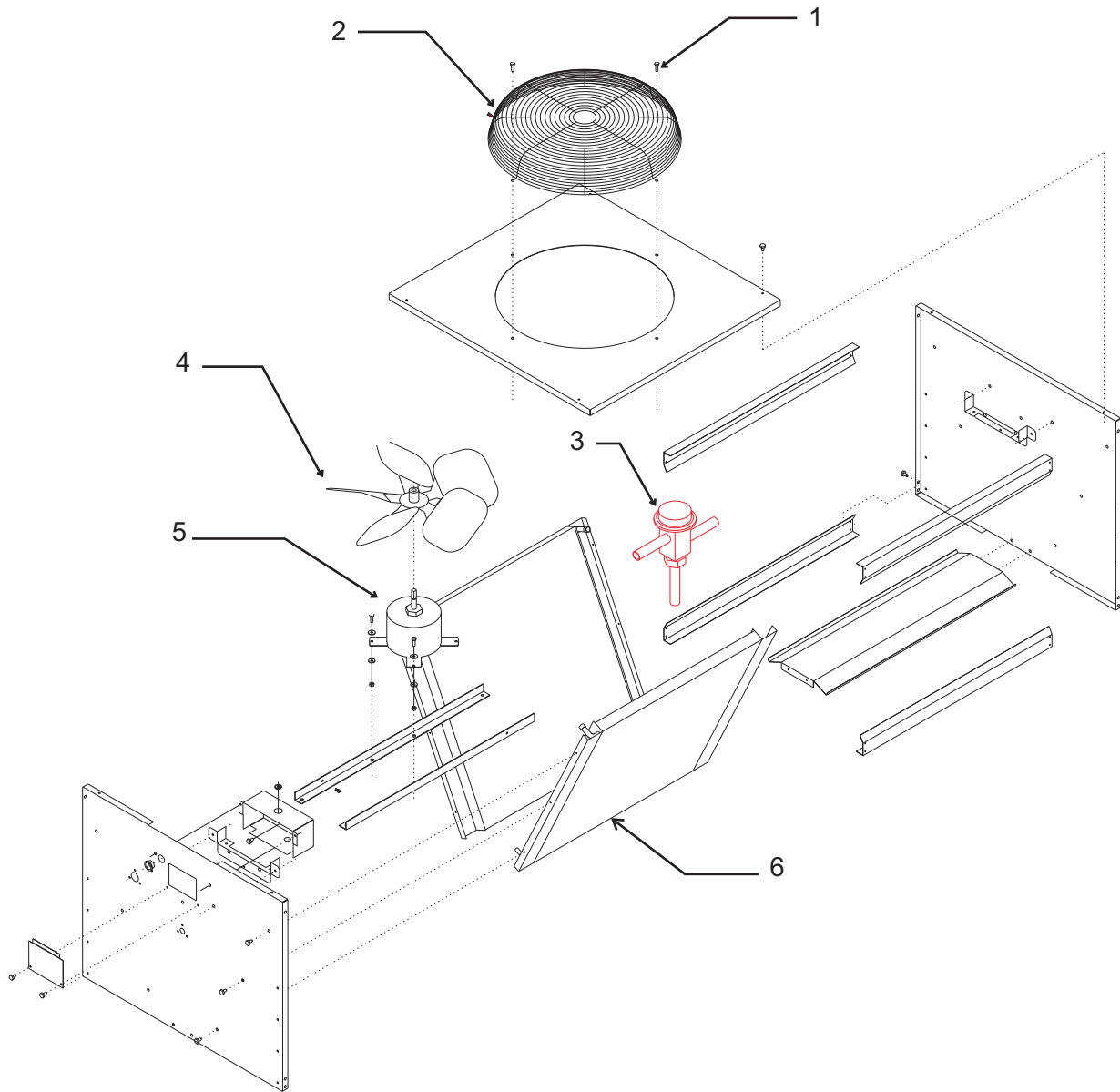


ITEM NUMBER	PART NUMBER	DESCRIPTION
1	02-3575-01	Fan guard
2	18-8800-01	Fan blade
3	18-8796-01	Fan motor ERC101
	18-8796-32	Fan motor ERC151, ERC201, ERC302, ERC401, ERC402
	18-8797-32	Fan motor ERC301
4	16-0850-01	Quick connect, discharge
5	16-0850-03	Quick connect, liquid
6	A36990-001	Leg kit for ERC101, 151, 201, 301, 302
	not available	Leg kit for ERC401, 402

# Bins, Condensers, and Accessories

## Service Parts

### ERC V Coil Condenser ERC111, 211, 311, 411, ERC680, ERC1086



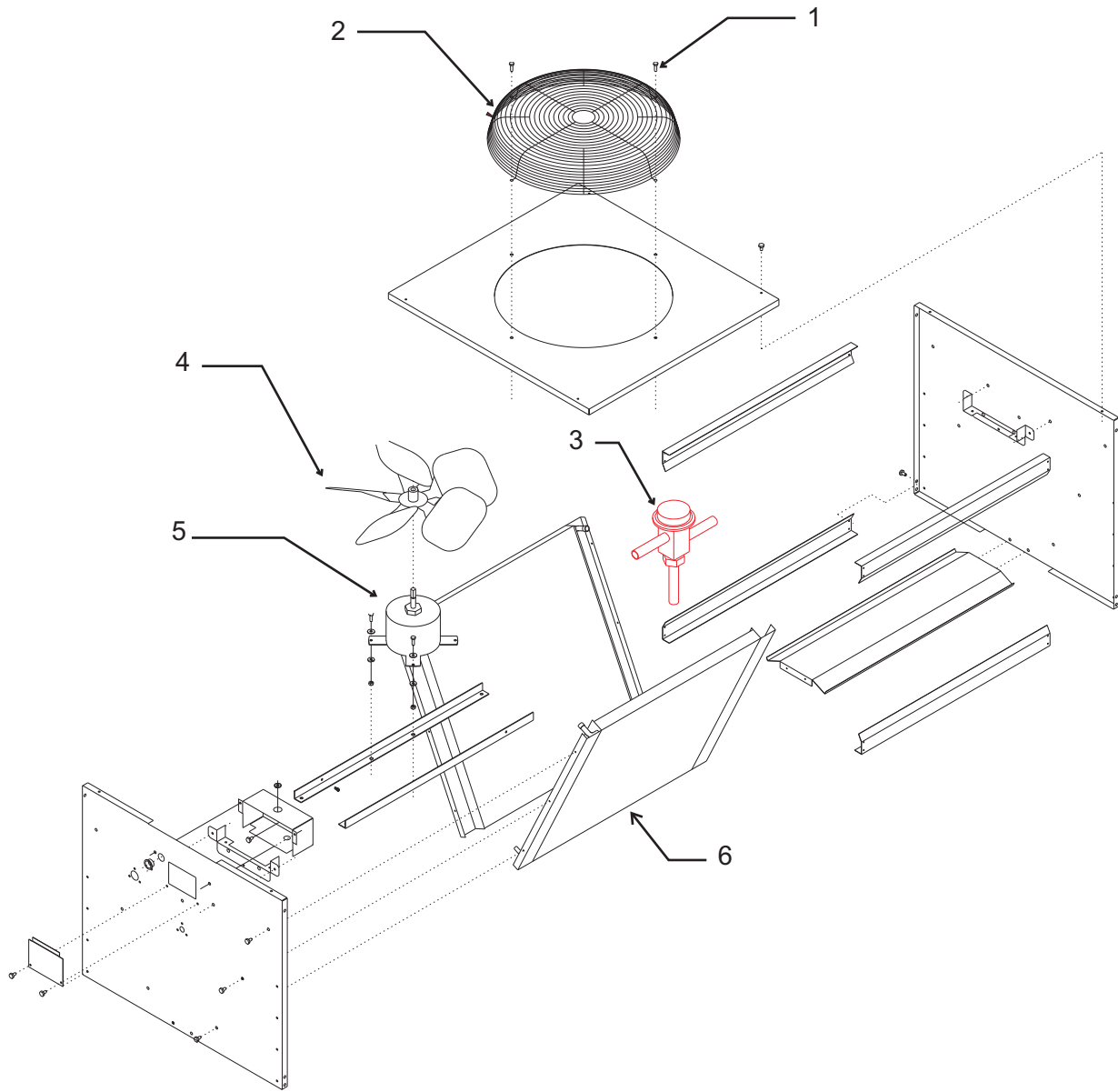
Item Number	Part Number	Description
1	03-1645-03	Screw
2	02-3575-01	Fan guard,
3	16-1025-01	Headmaster, ERC411
	16-1044-01	Headmaster, all others
4	18-8816-01	Fan blade
5	12-2651-01	Fan motor, ERC311, 411, 680, 1086
	12-2651-02	Fan motor, ERC111, 211
6	18-8815-01	Coil for ERC111/1086/411
	18-8827-01	Coil for ERC311/680

**Not Shown:**

- A37169-001 Leg - fits all
- A37170-001 Leg brace, ERC111, 211, 311, 411, 680, 1086
- 03-1645-01 Screw for legs
- ERC111, 211, 311, 411
- 16-0850-01 Quick connect, discharge
- 16-0850-03 Quick connect, liquid
- ER680, 1086, ER2C6810, 1316:
- 16-1057-04 Quick connect, discharge
- 16-1057-03 Quick connect, liquid.....
- Fan motor run capacitor: 18-8878-01
- Line set ends: KTE4 (set of all 4)
- Eclipse line set ends: KTE6 (set of all 6)
- EH Eclipse Line Set Ends; KTE6-EH

# Bins, Condensers, and Accessories Service Parts

## ERC V Coil Condenser, ERC611, ERC2086, ER2C6810, ER2C1316



Item Number	Part Number	Description
1	03-1645-01	Screw
2	02-3770-01	Fan guard
3	16-1044-01	Headmaster, ERC611
4	18-8820-01	Fan blade
5	12-2717-01	Fan motor
6	18-8819-01	Coil for ERC611/2086/6810

ER680, 1086, ER2C6810, 1316:

- 16-1057-04 Quick connect, discharge
- 16-1057-03 Quick connect, liquid

Fan motor run capacitor: 18-8878-01

Line set ends: KTE4 (set of all 4)

Eclipse line set ends: KTE6 (set of all 6)

**Not Shown:**

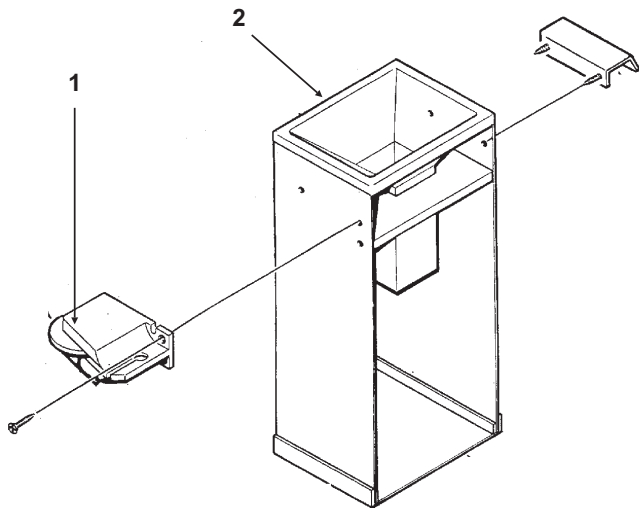
- A37169-001 Leg - fits all
- A37296-001 Leg brace,
- 03-1645-01 Screw for legs

**ERC611:**

- 16-0850-01 Quick connect, discharge
- 16-0850-03 Quick connect, liquid

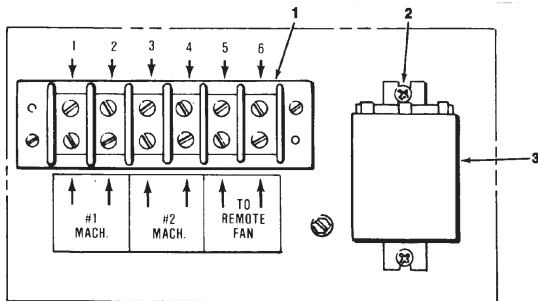
# Bins, Condensers, and Accessories Service Parts

## Bagger; Fan Relay Box, KDIL Thermostats



### SPEEDY BAGGER

Item Number	Part Number	Description
1	02-3261-01	Holder, tape roll
2	02-3259-01	Ice chute



### KCMR230 & KCMR-115 Fan Relay Kit: Two Remote Ice Makers on One Condenser

ITEM NUMBER	PART NUMBER	DESCRIPTION
1	12-0813-03	Terminal Strip
2	03-1403-21	Screw
3	12-2070-04	Relay - 230 volt
	12-2070-01	Relay - 115 volt

### KDIL Thermostats

KDIL-N - thermostat part number is 11-0353-23

KDIL-C - thermostat part number is 11-0427-23

### Modular Hardware - cabinet to bin

A30911-015 Mounting Straps

03-1405-13 Mounting bolt

### Thermostat brackets

02-3740-01 CM<sub>3</sub> 1056 & up

03-1675-03 Bolt (plastic head)

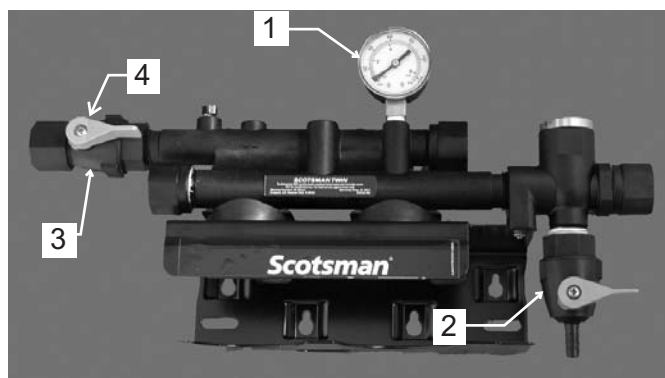
### CM<sup>3</sup> Thermostats

11-0427-23 thin cap tube

11-0521-21 bulb cap tube

# Bins, Condensers, and Accessories Service Parts

## Water Filters



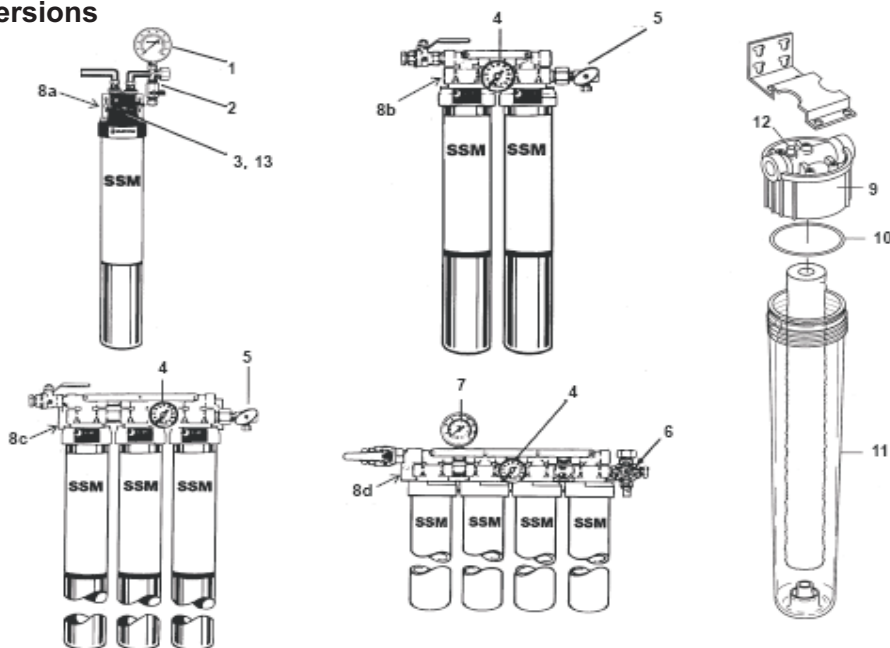
### SSM1, SSM2, or SSM3 Water Filters Parts Current Version

Item	SSM1	SSM2, 3	Description
1	02-3790-15	02-3790-15	Gauge
2	02-3790-16	02-3790-19	Flushing Valve
3	-	02-3790-20	Inlet Valve
4	02-3790-21	-	Valve handle

### Pre-Filter Parts - Current Version

9n	02-3790-22	Head assembly
10n	02-3790-23	O-ring
11n	02-3790-24	20" bowl
	02-3790-25	10" bowl

### Prior Versions



### Current Pre Filter



### Prior Version Parts

Item Number	Part Number	Description	Item Number	Part Number	Description
1	02-3790-15	Outlet gauge	8c	02-3790-03	Triple bracket
2	02-3790-16	Activation valve, single	8d	02-3790-04	Quad bracket
3	02-3790-12	Valve stem		02-3790-05	Screw for bracket
4	02-3790-14	Outlet gauge	9	02-2790-06	Prefilter head
5	02-3790-17	Activation valve	10	02-3790-07	Ring seal
6	02-3790-18	Activation valve, quad	11	02-3790-08	20" bowl
7	02-3790-13	Pressure gauge		02-3790-09	10" bowl
8a	02-3790-01	Single bracket	12	02-3790-10	Pressure relief kit
8b	02-3790-02	Dual bracket	13	02-3790-11	Valve handle



# Bins, Condensers, and Accessories Service Parts

## Accessories & DMS Parts

---

Description	Part Number
Ice Scoop, large	02-0540-01
Ice scoop, small	02-3070-01
Scoop holder (wire)	02-3647-01
Scoop holder (SS)	A35447-001
Water inlet strainer ¼"	16-0162-00

### Cleaners:

Clear 1 Scale Remover - non-diluted liquid	
Case of 12 (16) ounce bottles	19-0653-12
Pre-mixed liquid Scale Remover	
Case of 12 squirt bottles	19-0664-12

### Sanitizer:

Case of 100 two oz packets	14-0382-01
----------------------------	------------

### Lubricants

Gear oil, 1 pint	A32379-027
Food grade grease	19-0569-03
Bearing grease needle	02-3559-01
Tube of large flaker grease	A36808-001
AFE/MDT Top bearing grease	19-0662-02
Quick connect lube packet	14-0378-01

### Sealant

Food grade sealant	19-0529-01
--------------------	------------

### Legs:

6" leg kit (set of 4) for most Scotsman Bins:	
Black, 5/8 -11 thread	KLP7
6 inch stainless steel security	02-4731-01
8 inch stainless security	02-4731-02
12 inch kit for	
CU1526, CU2026	A40134-002
CU3030	A40134-001
B330P, B530P, B530S	A40134-003

Plastic leg bolts (5/8-11)	03-3915-01
part of KPUFM floor mounting kits	

### ID Adapter Baffle Parts:

*Dispenser model and ice machine model required to identify KBT adapter. See equipment price list for adapter models.*

R620042921 – used on KBT40 – no hardware needed

R620042913 – used on KBT41 – no hardware needed

\*R620042928 - used on KBT42

\*R620042927 – used on KBT43, 44, and 46.

\*Use 2 each of hardware R620701903, R620701901, and R620701902 to attach the baffle.

KBT42 manual fill door: R52944

KBT46, KBT43 and KBT44 manual fill door: R53003

### Misc:

Inlet water valve (white body type) rebuild kit 12-2636-20

Blue body valve rebuild kit: 12-2912-01

Water regulating valve rebuild kit: 11-0559-01 (3/8" only, will not work with Danfoss)

### DMS Machine Stand Panels

#### DMS31

A34670-003 Left side

A34670-004 Right side

A34671-002 Front

A34673-002 Top

A34666-002 Bottom

#### DMS21

A33405-001 Left side

A33405-002 Right side

A34659-001 Front

A33407-002 Bottom

A34661-001 Top

### Nugget Dispensing

02-4715-01 Diverter for Cornelius Flavor Fusion

A40403-021 Baffle kit, fits N0422, 0622, 0922 and 1322 at chute. Directs ice away from drop zone.

