

# AFE424 SERVICE PARTS

This is the parts list for the AFE424. When looking up part numbers, always check the complete model and serial numbers to be certain of ordering the correct parts.

The Air Cooled model has also been manufactured in 50 Hz.

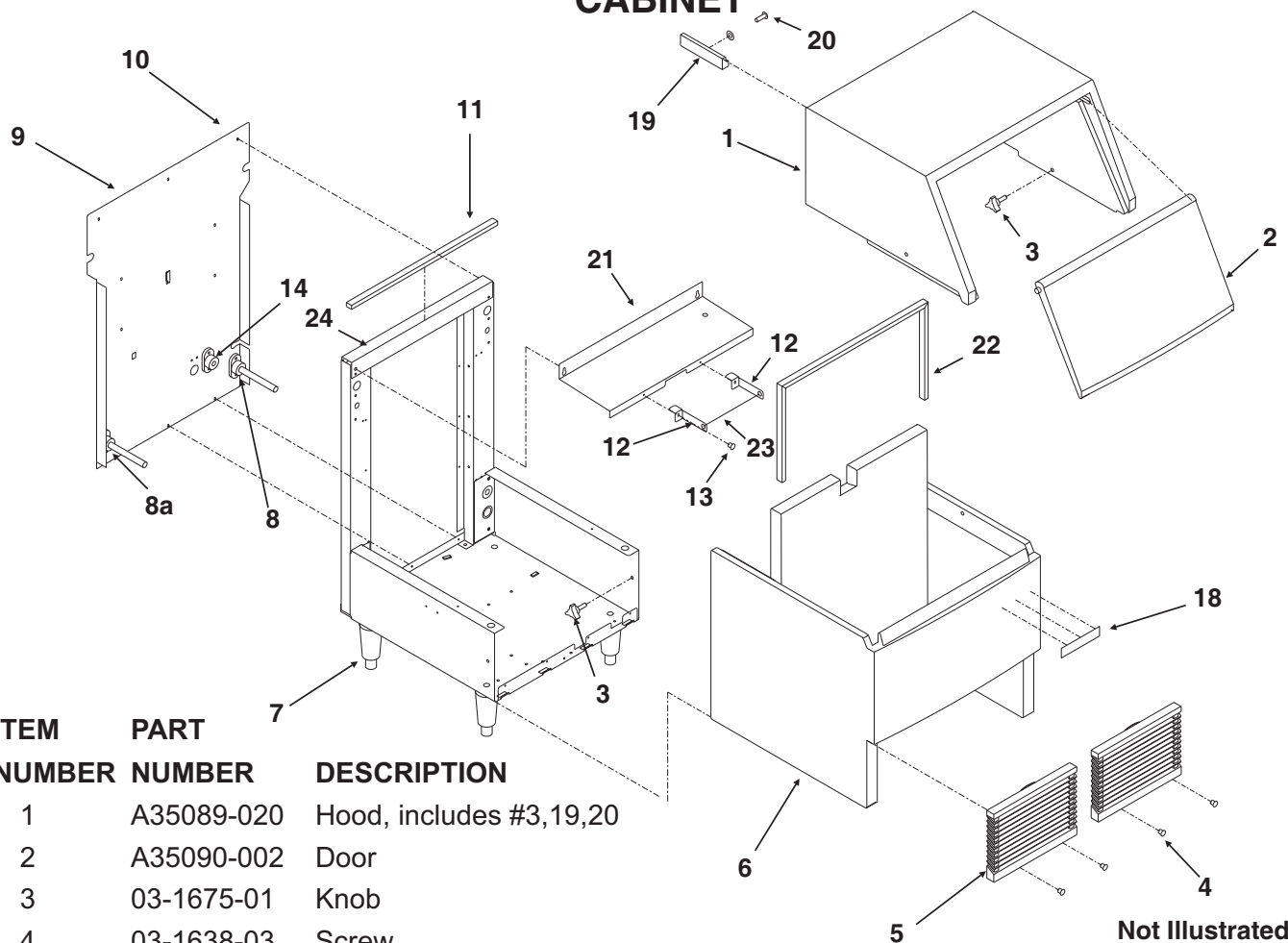
Plastic tubing is sold by the foot, order 1 unit, and 1 foot will be shipped. Order enough to cover the length required. Lengths of tubing are listed under the description column.

## Table of Contents

CABINET . . . . .	Page 2
AIR COOLED REFRIGERATION . . . . .	Page 3
WATER COOLED REFRIGERATION . . . . .	Page 4
RESERVOIR AND TUBING . . . . .	Page 5
Evaporator . . . . .	Page 6
Gear Reducer 02-4399-21 or 02-4399-24 or 02-4398-21 . . . . .	Page 7
CONTROL BOX . . . . .	Page 8
SCHEMATIC DIAGRAM . . . . .	Page 9
WIRING DIAGRAM . . . . .	Page 10

# AFE424 SERVICE PARTS

## CABINET



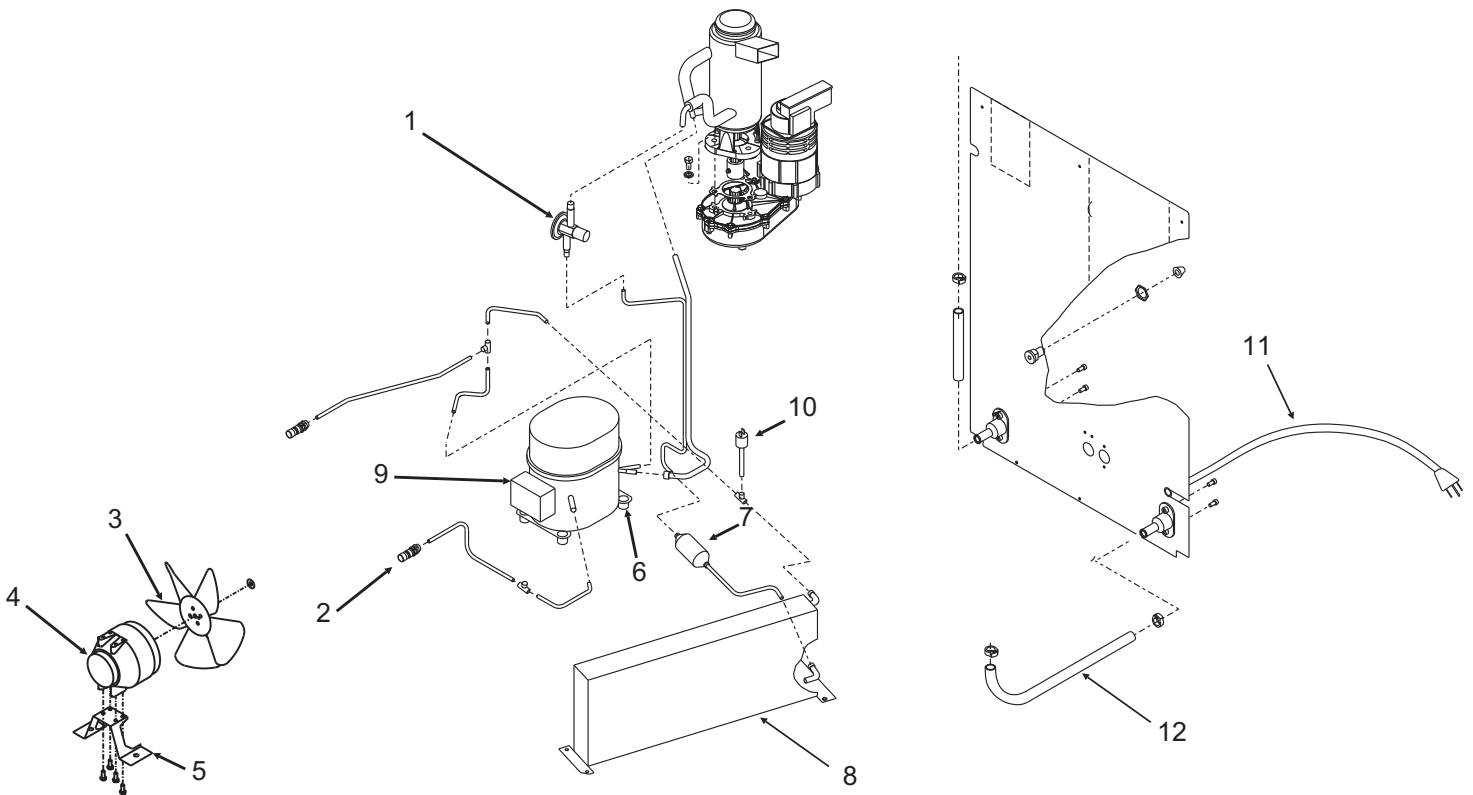
ITEM NUMBER	PART NUMBER	DESCRIPTION
1	A35089-020	Hood, includes #3,19,20
2	A35090-002	Door
3	03-1675-01	Knob
4	03-1638-03	Screw
5	02-3153-01	Grill
6	A35088-020	Bin, includes #15,16,16a, 17
7	KLP7	Leg kit
8	02-3692-21	Drain casting - bin
8a	02-3692-22	Drain casting - reservoir
9	A35248-001	Back panel
10	03-1404-29	Sheet metal screw
11	13-0609-01	Gasket, 21.75" req.
12	A35394-001	Bin control bracket
	13-0727-00	Grommet
13	03-1638-03	Screw
14	16-1154-22	Water cooled drain casting
15	02-2809-02	Drain cap
16	02-3108-01	Drain fitting
16a	02-4193-01	Washer - flat
17	16-0822-01	Adaptor
18	15-0808-01	Emblem
19	19-0629-01	Door stop

Not Illustrated:  
Scoop, part number 02-3253-01

20	03-1419-09	Screw
21	A35199-001	Evaporator bracket
	13-0727-00	Grommet for cap tube
22	13-0909-01	Bin gasket 36" req.
23	13-0895-01	Plastic tube - 9" req.
24	A35452-001	Top bracket
25	13-0892-01	Spout grommet

# AFE424 SERVICE PARTS

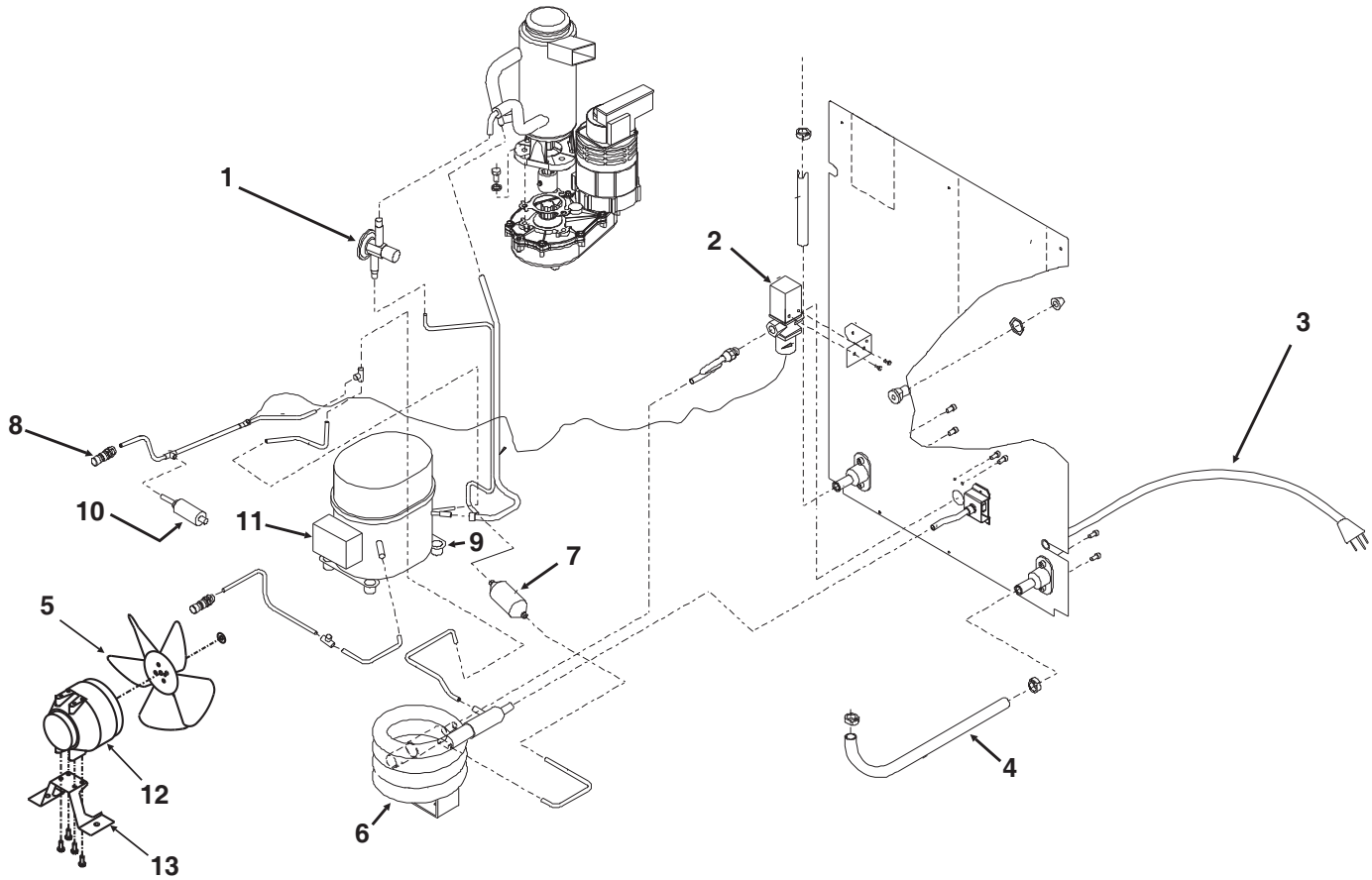
## AIR COOLED REFRIGERATION



ITEM NUMBER	PART NUMBER	DESCRIPTION
1	16-1091-21	1/8 ton TXV
	19-0599-06	Insulation 6 x 9
2	16-1138-01	Access valve seat
	16-1139-01	Core
	16-1140-01	Cap
3	18-8708-01	Fan blade
4	12-1681-23	Fan motor, 115/60/1
	18-8709-03	Fan motor, 50 Hz
5	A35246-001	Fan motor bracket
6	03-1677-01	Screw
	03-1407-07	Washer
	18-2200-27	Sleeve
	18-2200-28	Grommet
7	02-3319-01	Dryer
8	18-8844-01	Air cooled condenser
	02-3193-01	Air filter (not shown)
	9	18-8918-21 60 Hz Compressor*
		60 Hz (Danfoss compressor) parts:
		18-1903-60 60 Hz relay w/overload
		18-1901-60 60 Hz start capacitor
		18-8746-26 50 Hz Compressor*
		<b>50 Hz (Tecumseh compressor) parts:</b>
		18-8746-25 50 Hz Start capacitor
		18-8746-24 50 Hz Relay
		18-8746-23 50 Hz Overload
	10	11-0501-24 Hi pressure cut out
		* Includes relay, overload, start capacitor, and drier
	11	12-1638-15 Power cord 60 Hz
		12-1638-16 Power cord for 50 Hz.
	12	13-0079-03 Tubing (21" req.)

# AFE424 SERVICE PARTS

## WATER COOLED REFRIGERATION



ITEM NUMBER	PART NUMBER	DESCRIPTION
1	16-1091-21	TXV
	19-0599-06	Insulation 6 x 9
2	11-0198-02	Water reg. valve
3	12-1638-15	Power cord 60 Hz (AC also)
4	13-0079-03	Tubing (21" req.)
5	18-8708-01	Fan blade
6	18-8869-21	WC condenser
7	02-3319-01	Dryer
8	16-1138-01	Access valve seat
	16-1139-01	Core
	16-1140-01	Cap
	03-1677-01	Screw
9	03-1407-07	Washer
	18-2200-27	Sleeve
	18-2200-28	Grommet

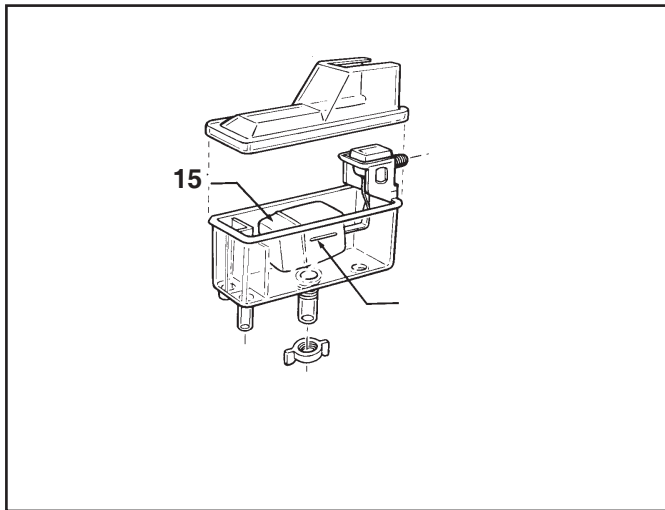
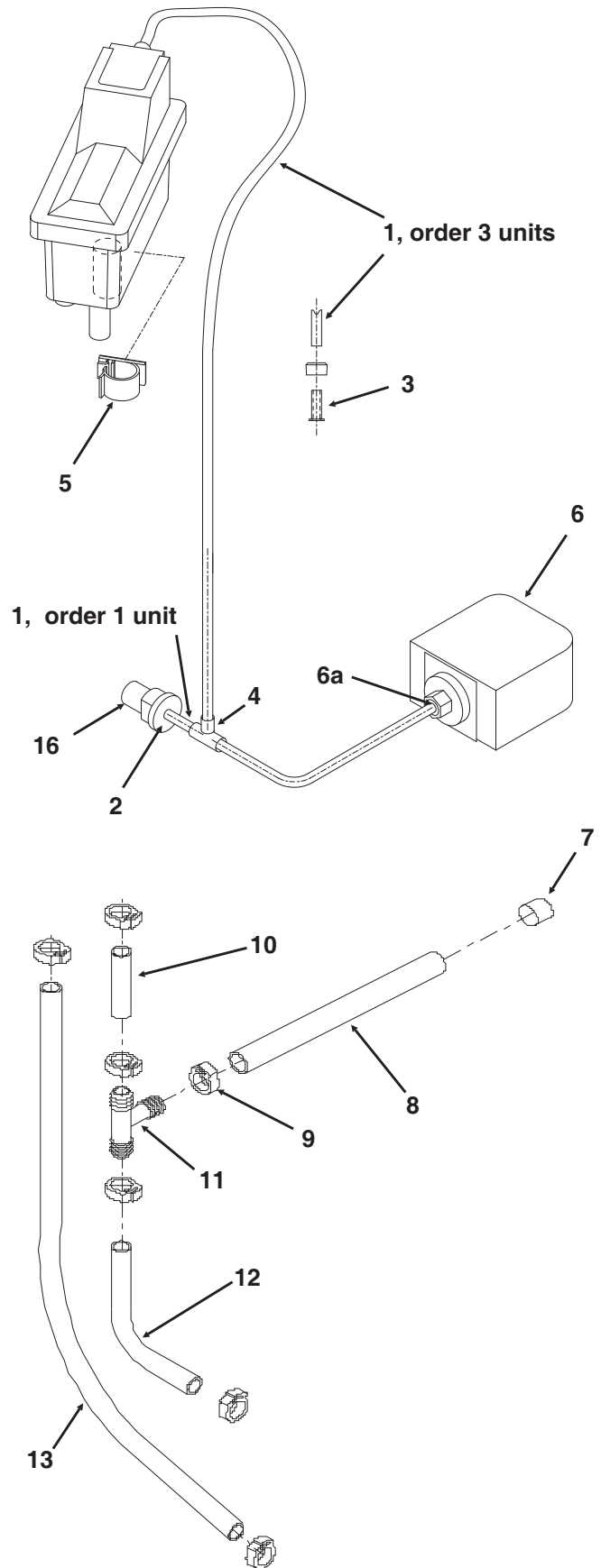
ITEM NUMBER	PART NUMBER	DESCRIPTION
10	11-0500-21	Hi press. cut out (wc)
11	18-8918-21	60 Hz Compressor*
60 Hz (Danfoss compressor) parts:		
	18-1903-60	60 Hz relay w/overload
	18-1901-60	60 Hz start capacitor
12	18-8752-21	Fan motor (water cooled)
13	A35246-001	Fan motor bracket

\* Includes relay, tubing, start capacitor, and drier

# AFE424 SERVICE PARTS

## RESERVOIR AND TUBING

ITEM NUMBER	PART NUMBER	DESCRIPTION
1	13-0895-01	Poly Tubing
2	16-1081-01	Inlet elbow, used with male connector and plastic tubing
3	16-0871-01	Brass insert
4	16-1040-01	Inlet T
5	02-3268-01	Clip
6	11-0296-00	Water pressure sw.
6a	16-1046-01	Plastic tube connector to switch
7	13-0859-01	Rubber plug
8	13-0674-09	Drain tube, 12" req.
9	02-2814-07	Hose clamp
10	13-0674-09	Outlet tube, 4" req.
11	16-0670-02	Tee
12	13-0674-09	Evap. inlet tube, 6" req.
13	13-0079-03	Overflow tube, 32" req.
14	02-2217-01	Reservoir & valve
15	02-2217-02	Float valve
16	16-0835-01	Male flare connector, used with item 17



# AFE424 SERVICE PARTS

## Evaporator and Related Parts

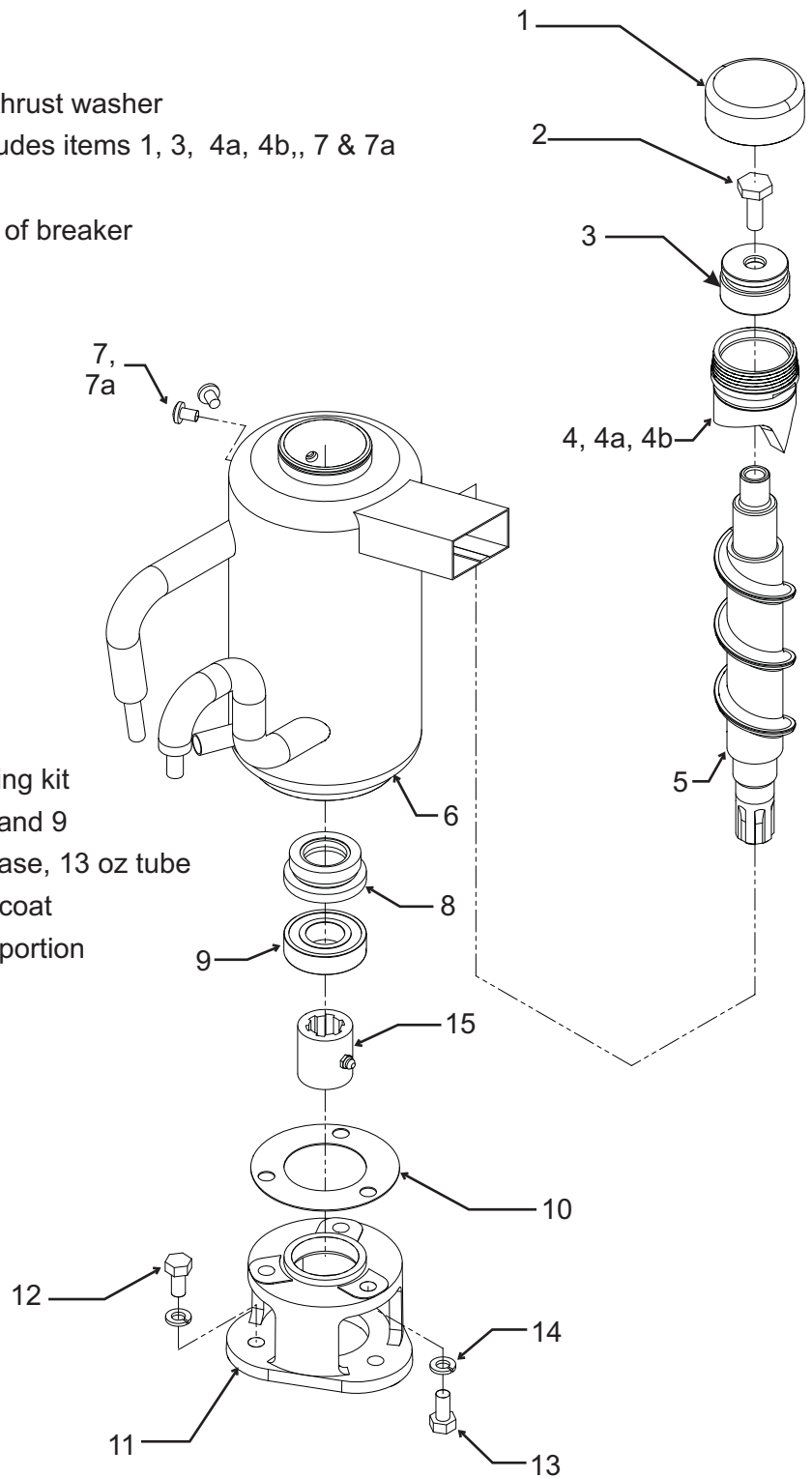
ITEM NUMBER	PART NUMBER	DESCRIPTION
1	02-4404-02	Threaded cap
2	03-0758-00	Screw
3	02-4535-01	Top bearing, w/thrust washer
4	02-4575-21	Breaker kit, includes items 1, 3, 4a, 4b., 7 & 7a
4a	13-0617-16	O-Ring (inside)
4b	13-0617-37	O-Ring, outside of breaker
5	02-4574-01	Auger
6	02-3449-20	Evaporator*
7	03-1417-07	Washer
7a	03-1403-46	Screw
8	02-4599-21	Water Seal
9	02-0417-21	Lower Bearing
10	03-1505-00	Gasket
11	08-0595-01	Adapter
12	03-1405-38	Cap Screw (3)
13	03-1420-01	Cap screw
14	03-1410-04	Washer (3)
15	A29915-002	Spline Coupling
16	02-4578-01	Auger and bearing kit

Includes items 1, 2, 4, 4a, 4b, 5, 7, 7a, 8, and 9

17 19-0662-02 Top bearing grease, 13 oz tube

Note: Use about 1 oz per bearing. Lightly coat bearing surfaces, thoroughly grease thrust portion of bearing (horizontal needles).

\* Not available as an assembly.

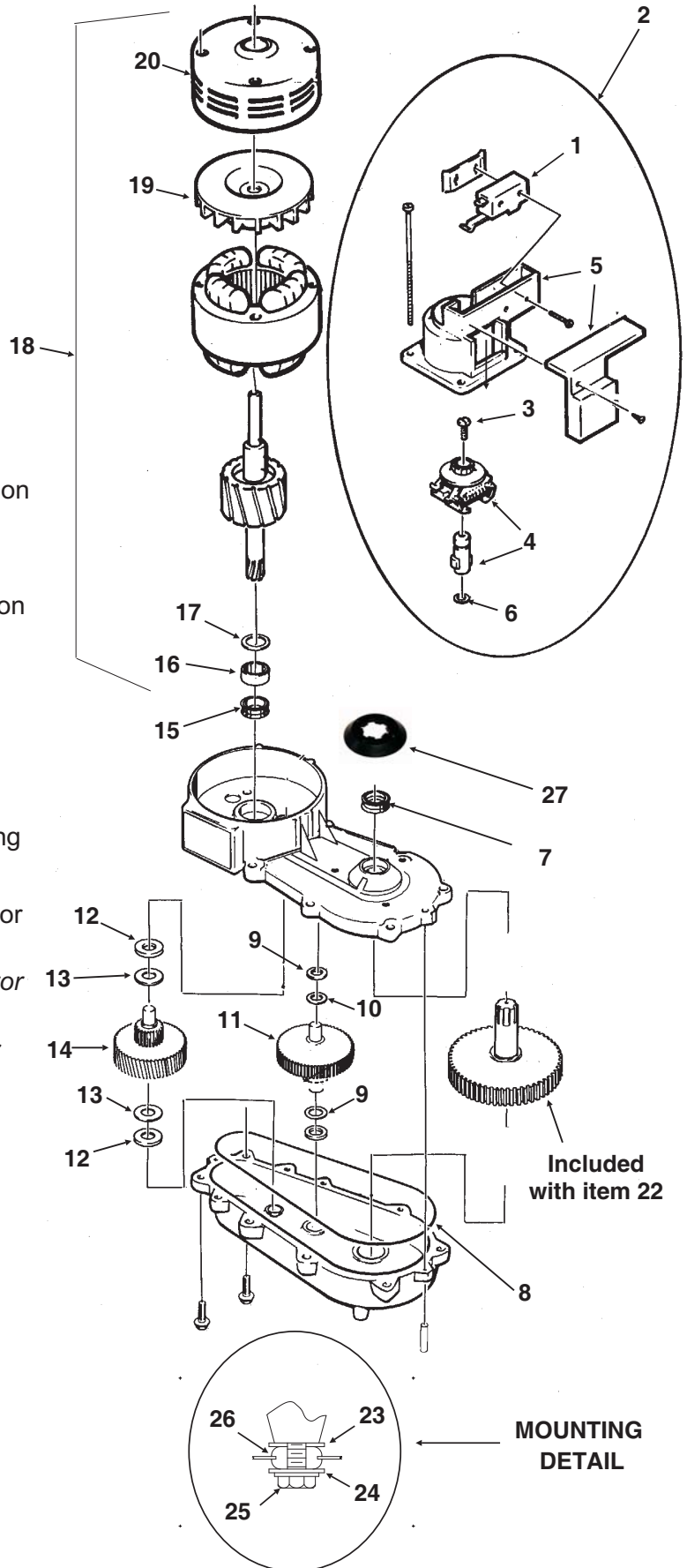


# AFE424 SERVICE PARTS

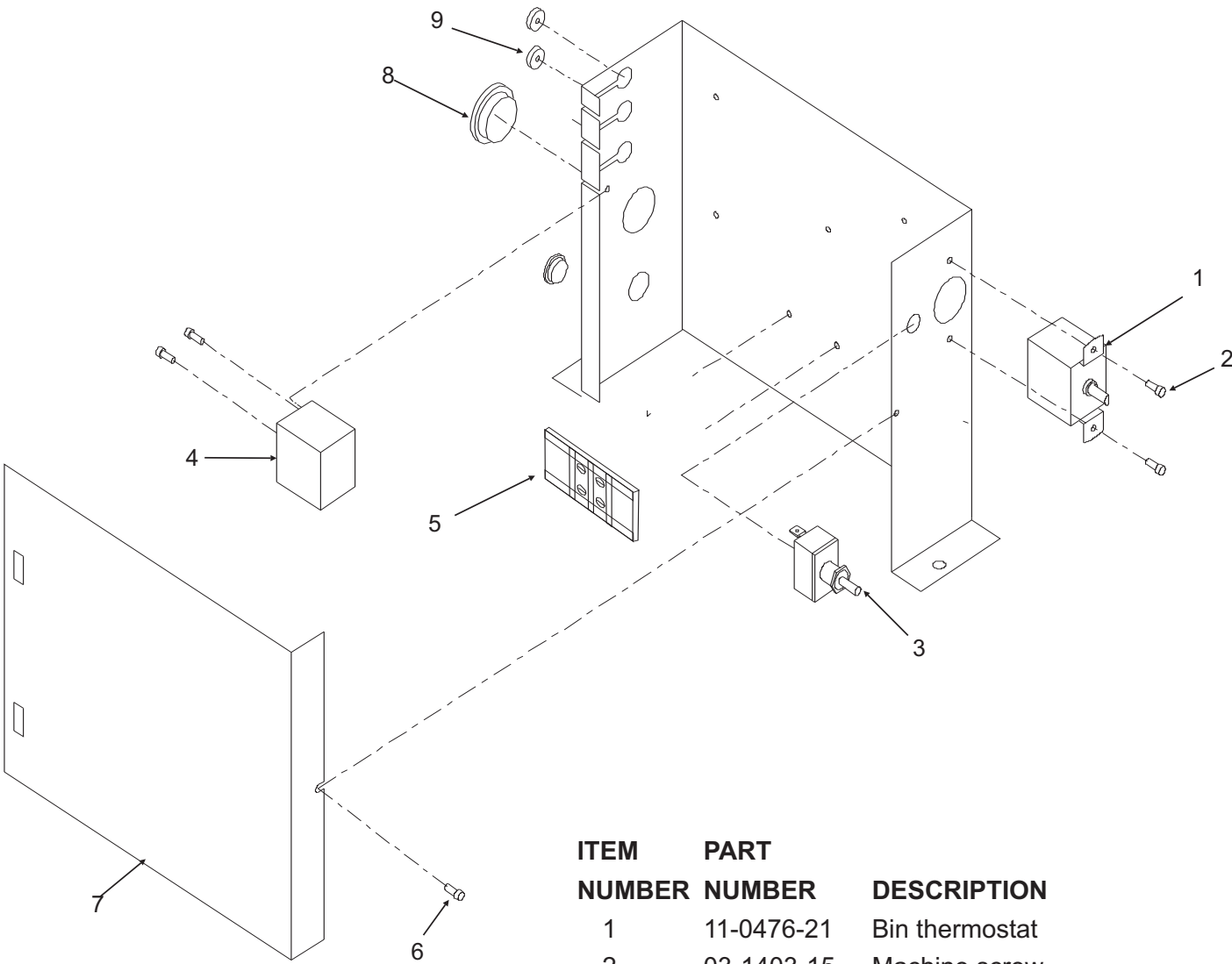
## Gear Reducer 02-4399-21 or 02-4399-24 or 02-4398-21

ITEM NUMBER	PART NUMBER	DESCRIPTION
1.	12-2059-01	Switch
2.	A27494-001	Centrifugal Sw. Kit
3.	03-1403-77	Screw
4.	A30579-001	Shaft and Actuator
5.	part of item 2	
6.	03-1408-36	Washer
7.	02-1503-00	Grease seal
8.	13-0947-01	Gasket
9.	03-1408-39	Washer
10.	03-1408-40	Washer shim
11.	02-2439-01	Second gear and third pinion
12.	03-1408-41	Washer
13.	03-1408-38	Washer
14.	02-2438-01	First gear and second pinion
15.	02-3969-20	Grease seal
16.	02-1501-00	Bearing
17.	03-1408-08	Washer
18.	A37707-021	60 Hz motor kit*
19.	A28168-001	Fan
20.	A38487-001	Motor Housing with bearing
21.	A32379-027	Oil
22.	02-4399-21	Complete 60 Hz Gear Motor Assembly with motor
	02-4399-24	Complete 50 Hz Gear Motor Assembly with motor
	02-4398-21	Gear reducer kit, no motor
23.	A24295-001	Spacer
24.	03-1408-02	Washer
25.	03-1405-45	Screw
26.	13-0639-00	Grommet
27.	13-0941-01	Water shed

\* motor kit includes items 16, 17, 19, 20

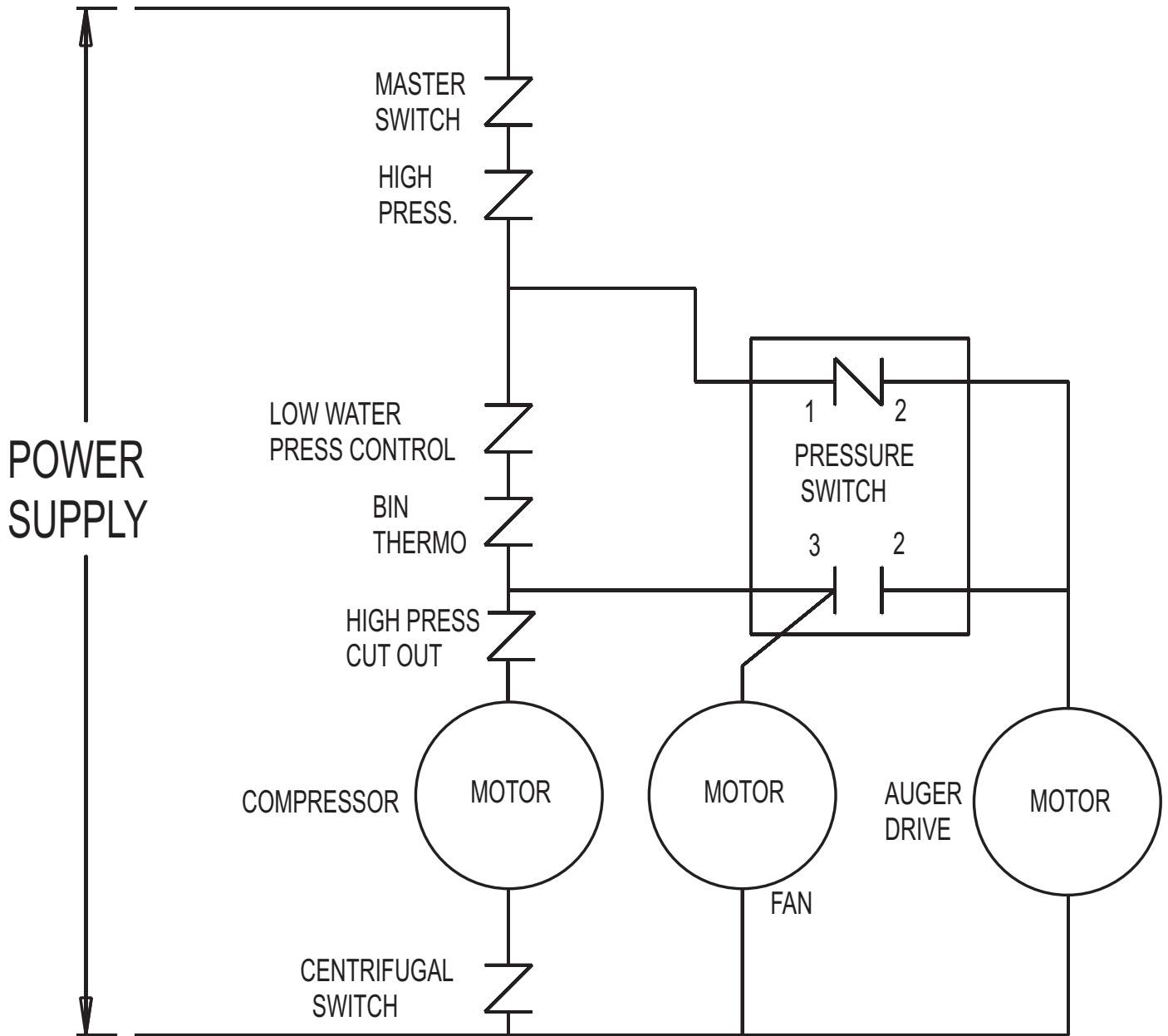


# AFE424 SERVICE PARTS CONTROL BOX



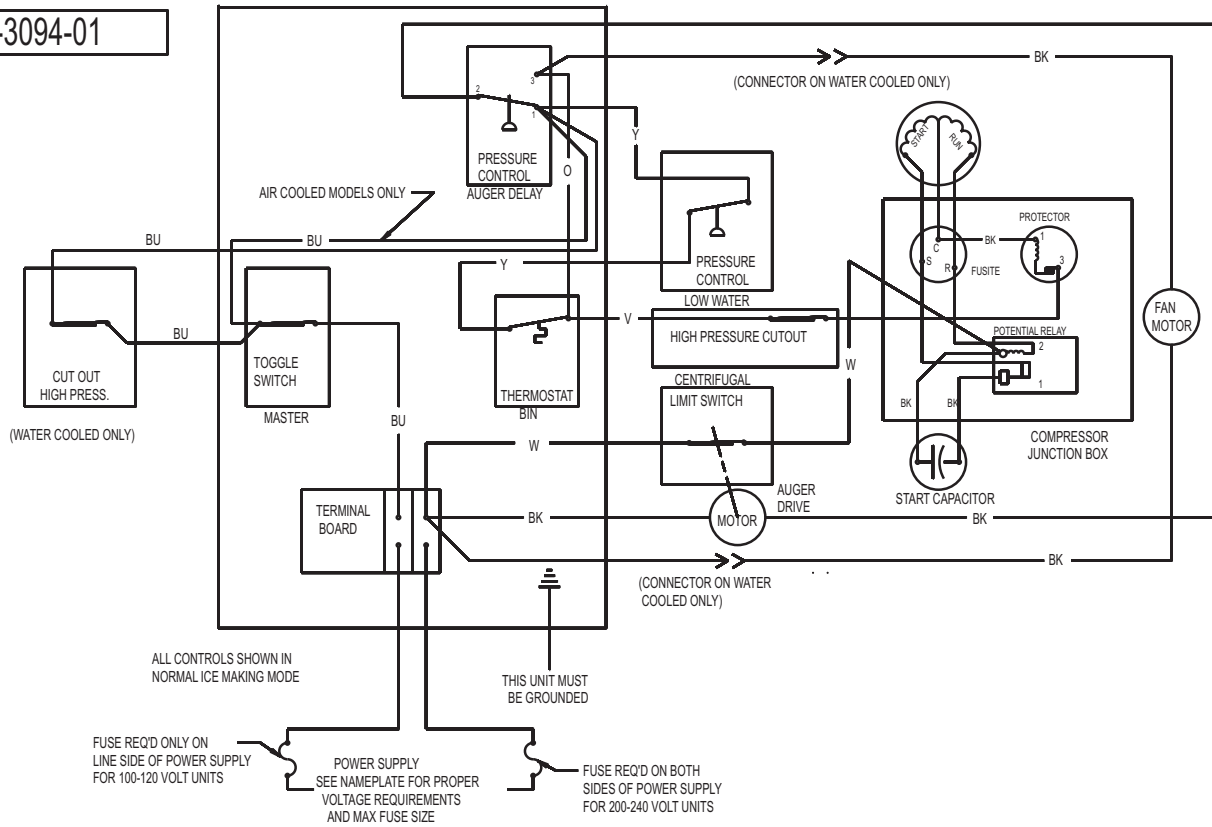
ITEM NUMBER	PART NUMBER	DESCRIPTION
1	11-0476-21	Bin thermostat
2	03-1403-15	Machine screw
3	12-2637-01	Toggle switch, spst
4	11-0402-21	Auger delay control
5	12-0813-04	Terminal block
6	03-1404-29	Sheet metal screw
7	A35273-001	Control box cover
8	12-1213-11	Snap bushing
9	13-0727-00	Grommet

# AFE424 SERVICE PARTS SCHEMATIC DIAGRAM



# AFE424 SERVICE PARTS WIRING DIAGRAM

17-3094-01



**ALL CONTROLS SHOWN IN NORMAL ICE MAKING MODE  
THIS UNIT MUST BE GROUNDED**