

CM650 Parts List

Table of Contents

Cabinet Exterior

Cabinet Interior

Air Cooled Refrigeration

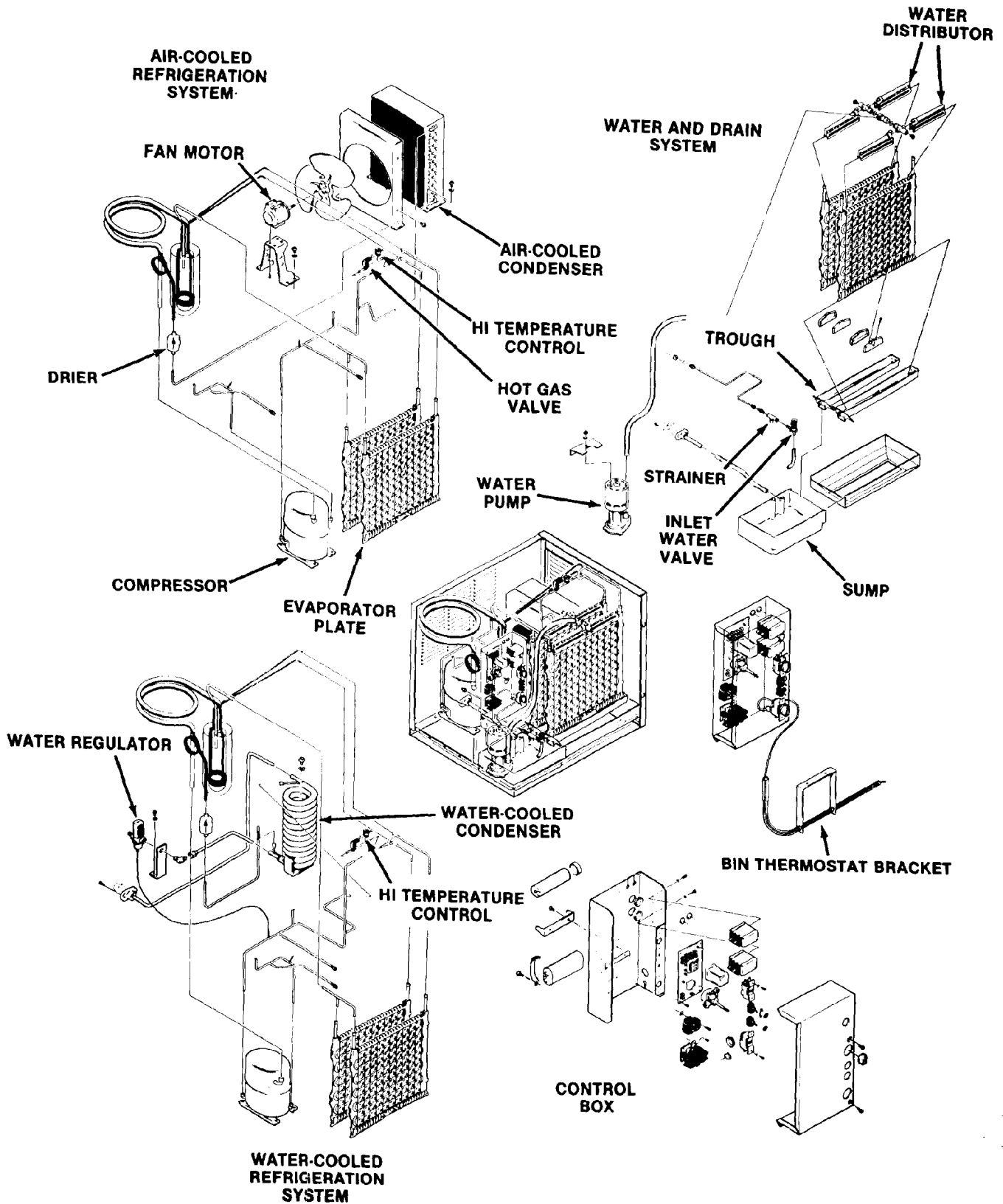
Water Cooled Refrigeration

Water System

Control Box

Wiring Diagrams

CM650E SERVICE PARTS



CM650E SERVICE PARTS

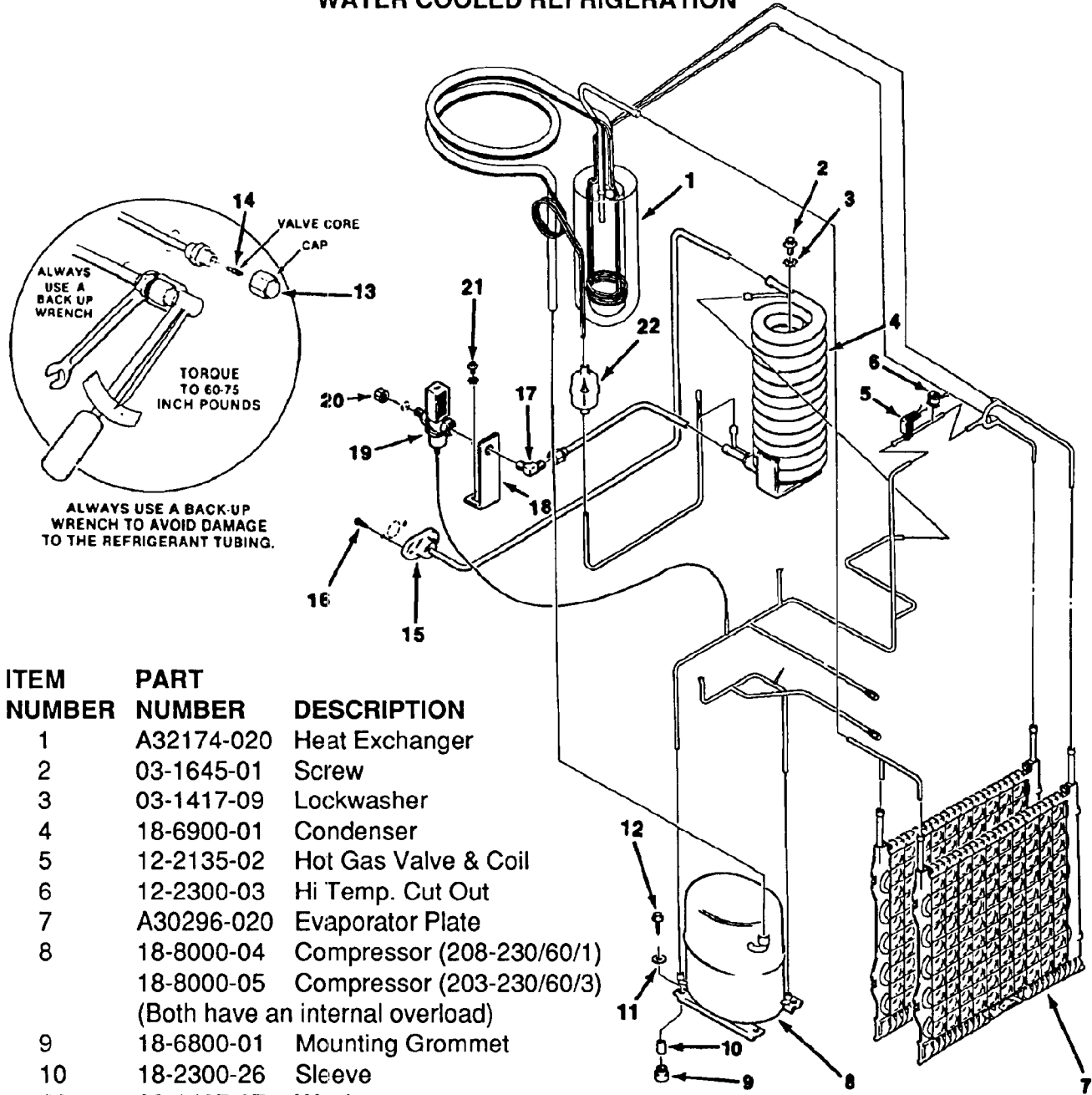
AIR COOLED REFRIGERATION

Note: In the original parts list for the CM650E, the part numbers for items 3 and 11 were WRONG. Here are the correct part numbers.

ITEM NUMBER	PART NUMBER	DESCRIPTION	ITEM NUMBER	PART NUMBER	DESCRIPTION
1	A32174-020	Heat Exchanger	13	18-8000-04	Compressor (203-230/60/1)
2	18-3739-01	Fan Motor Bracket		18-8000-05	Compressor (208-230/60/3)
3	18-5105-02	Fan Motor			(Both have an internal overload)
4	18-3732-01	Fan Blade	14	18-6800-01	Grommet
5	A32170-001	Fan Shroud	15	18-2300-26	Sleeve
6	18-3709-01	Condenser	16	03-1407-07	Washer
7	03-1645-01	Screw	17	no number	washer
8	03-1410-03	Lockwasher	18	03-1405-20	Screw
	03-1407-05	Washer	19	16-0563-00	Cap
9	03-1531-01	Screw	20	16-0560-00	Core
10	12-2300-03	Hi Temp Cut Out	21	02-3319-01	Drier
11	12-2135-22	Hot Gas Valve	22	A32975-001	Foam Filter
12	A30296-020	Evaporator			

CM650E SERVICE PARTS

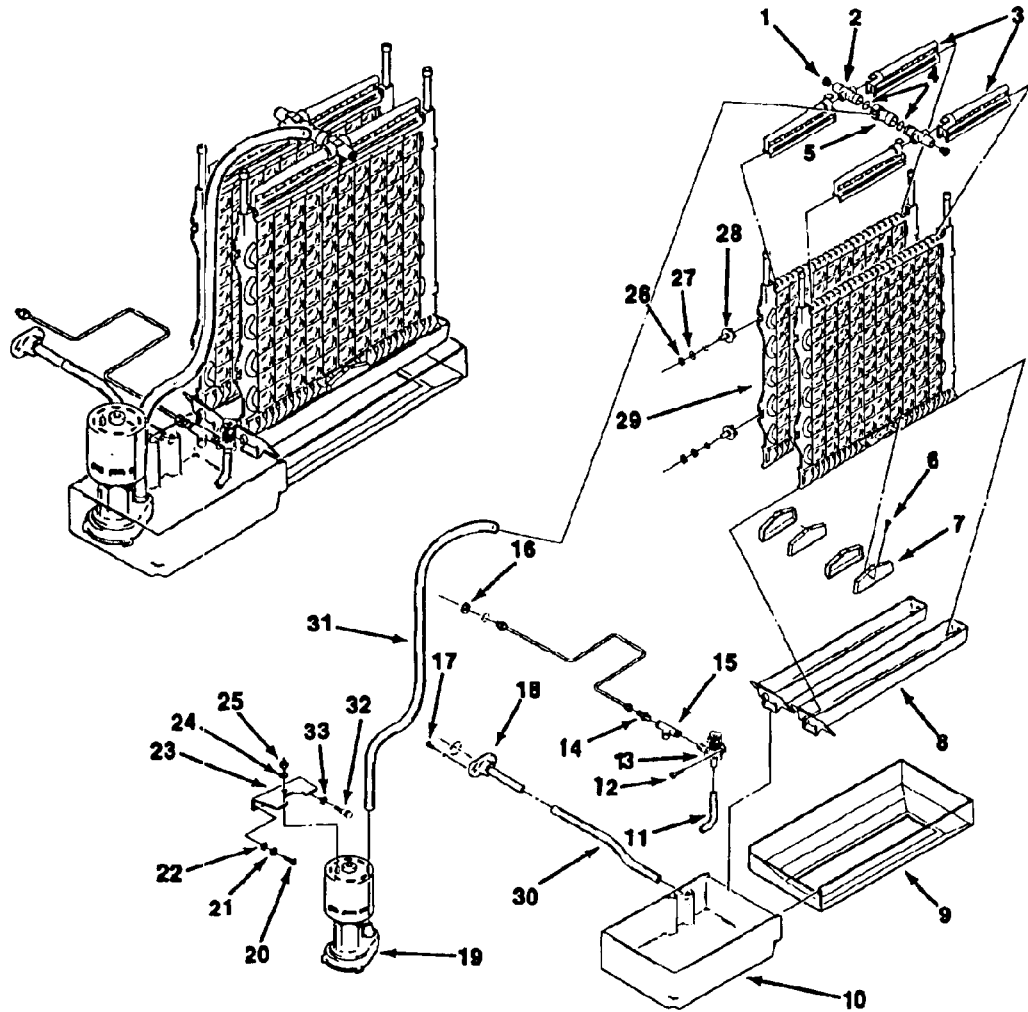
WATER COOLED REFRIGERATION



ITEM NUMBER	PART NUMBER	DESCRIPTION
1	A32174-020	Heat Exchanger
2	03-1645-01	Screw
3	03-1417-09	Lockwasher
4	18-6900-01	Condenser
5	12-2135-02	Hot Gas Valve & Coil
6	12-2300-03	Hi Temp. Cut Out
7	A30296-020	Evaporator Plate
8	18-8000-04	Compressor (208-230/60/1)
	18-8000-05	Compressor (203-230/60/3)
		(Both have an internal overload)
9	18-6800-01	Mounting Grommet
10	18-2300-26	Sleeve
11	03-1407-07	Washer
12	03-1405-20	Screw
13	16-0563-00	Valve Cap
14	16-0560-00	Valve Core
15	A33363-001	Drain Fab Assembly
16	03-1403-14	Screw
17	16-0401-02	Brass Elbow
18	no number	Bracket
19	11-0424-01	Water Reg. Valve
20	03-1394-01	Pal Nut
21	03-1403-14	Screw
22	02-2426-02	Filter Drier

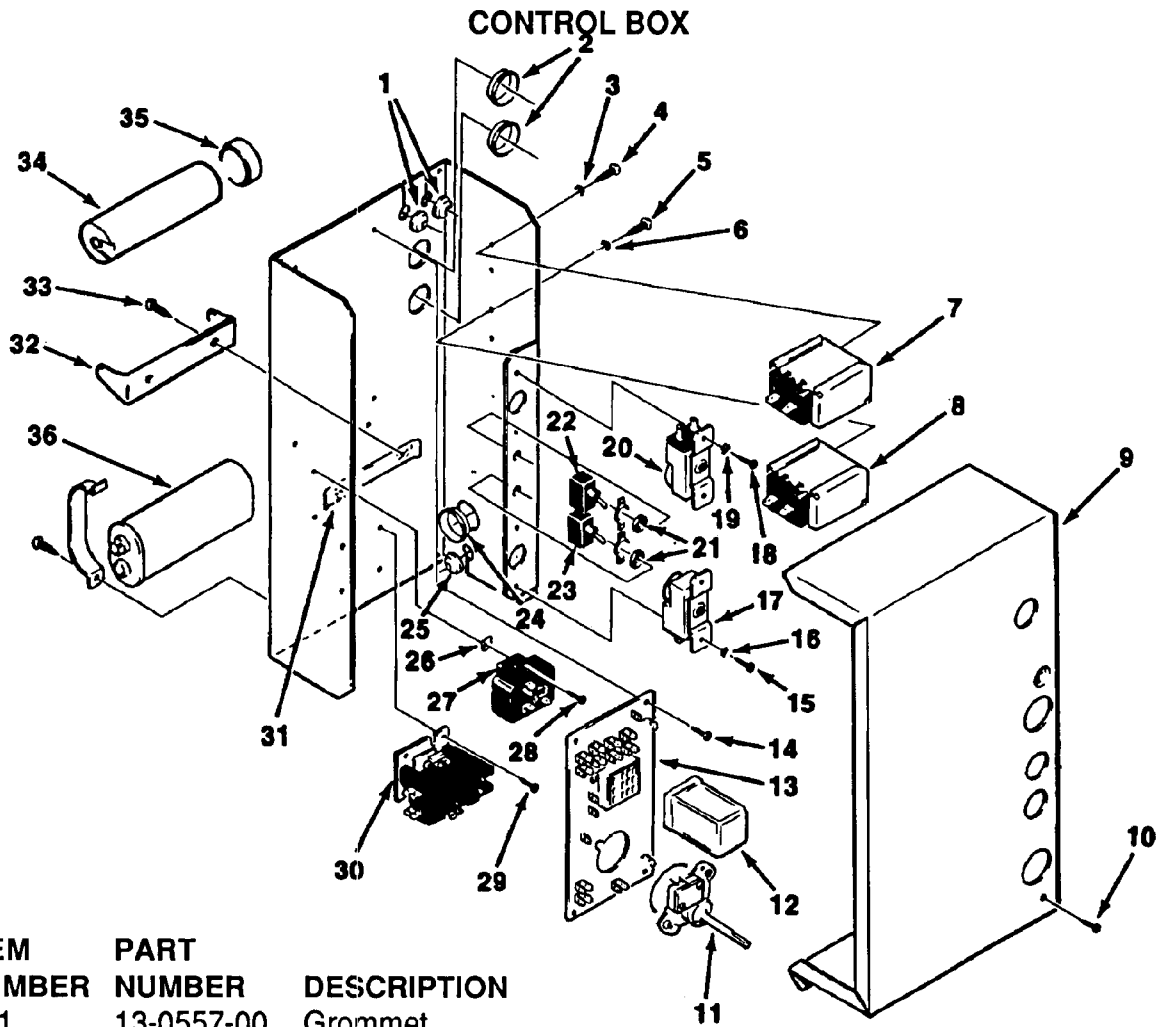
CM650E SERVICE PARTS

WATER SYSTEM



ITEM NUMBER	PART NUMBER	DESCRIPTION	ITEM NUMBER	PART NUMBER	DESCRIPTION
1	13-0840-01	Manifold Plug	18	A32282-003	Drain Ass. (Air Cooled)
2	A29703-001	Manifold Water Tube	19	12-2265-22	Water Pump Assembly
3	02-2527-01	Water Distrib. Tube	20	03-1403-17	Screw
4	13-0617-48	O-Ring (2)	21	03-1407-03	Washer
5	02-2519-01	Plastic Tee	22	03-1408-31	Washer
6	03-1404-10	Screw	23	A30914-002	Pump Mounting Bracket
7	02-2878-01	Sump End Cover	24	03-1417-05	Lockwasher
8	02-2868-01	Drain Trough	25	03-1406-05	Nut
9	no number	Cube Chute	26	03-1394-03	Pal Nut
10	02-2869-01	Sump	27	03-1408-34	Special Washer
11	A30918-001	Sump Inlet Tube	28	02-2642-01	Plate Mount
12	03-1531-01	Screw	29	A30296-020	Evaporator
13	12-2313-03	Solenoid Valve	30	13-0674-07	Drain Hose, 8"
14	16-0791-01	Half Union	31	13-0674-07	Pump Hose, 33"
15	16-0162-00	Stainer	32	03-0727-09	Thumbscrew
16	03-1394-01	Pal Nut	33	03-1417-03	Lockwasher
17	03-1645-01	Screw			

CM650E SERVICE PARTS

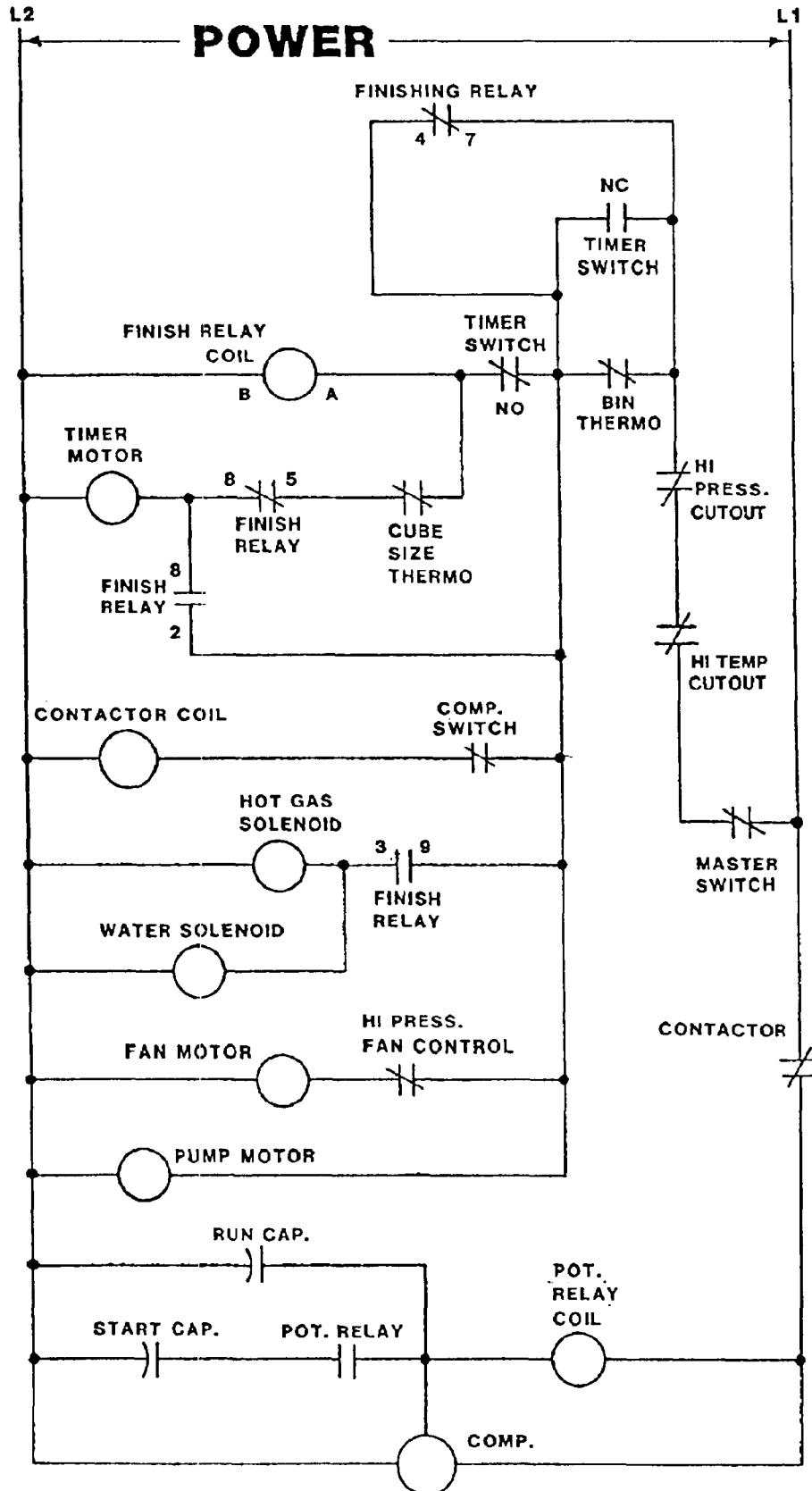


ITEM NUMBER	PART NUMBER	DESCRIPTION
1	13-0557-00	Grommet
2	12-1213-10	Snap Bushing
3	03-1417-18	Lockwasher
4	03-1403-02	Screw
5	03-1403-02	Screw
6	03-1417-18	Lockwasher
7	11-0426-01	Fan Control
8	11-0425-01	High Press. Safety -AC
	11-0410-02	High Press. Safety -WC
9	A32168-001	Control Box Cover
10	03-1531-01	Screw
11	12-1980-02	Timer & Switch
12	12-1879-03	Relay, 230 V
13	12-1912-01	Circuit Board
14	03-1403-02	Screw
15	03-1403-05	Screw
16	03-1417-03	Lockwasher
17	11-0427-02	Bin Thermostat
18	03-1403-05	Screw
19	03-1417-03	Lockwasher
20	11-0428-01	Cube Size Control

ITEM NUMBER	PART NUMBER	DESCRIPTION
21	03-1417-16	Lockwasher
22	12-0426-01	Switch
23	12-0426-01	Switch
24	12-1213-17	Snap Bushing
25	13-0557-00	Grommet
26	03-1423-01	Speed Nut
27	18-1903-46	Potential Relay
28	03-1403-02	Screw
29	03-1403-15	Screw
30	12-2048-02	Contact, -32 (1 phase)
	12-0739-02	Contact, -3 (3 phase)
31	03-1103-00	Twin Speed Nut
32	18-2200-39	Start Capacitor Bracket
33	03-1403-15	Screw
34	18-1901-48	Start Capacitor
35	18-4300-50	Start Capacitor Cap.
36	18-1902-45	Run Capacitor

CM650E WIRING DIAGRAMS

Schematic Diagram for CM650E-32E (208-230/60/1) Air or Water Cooled.



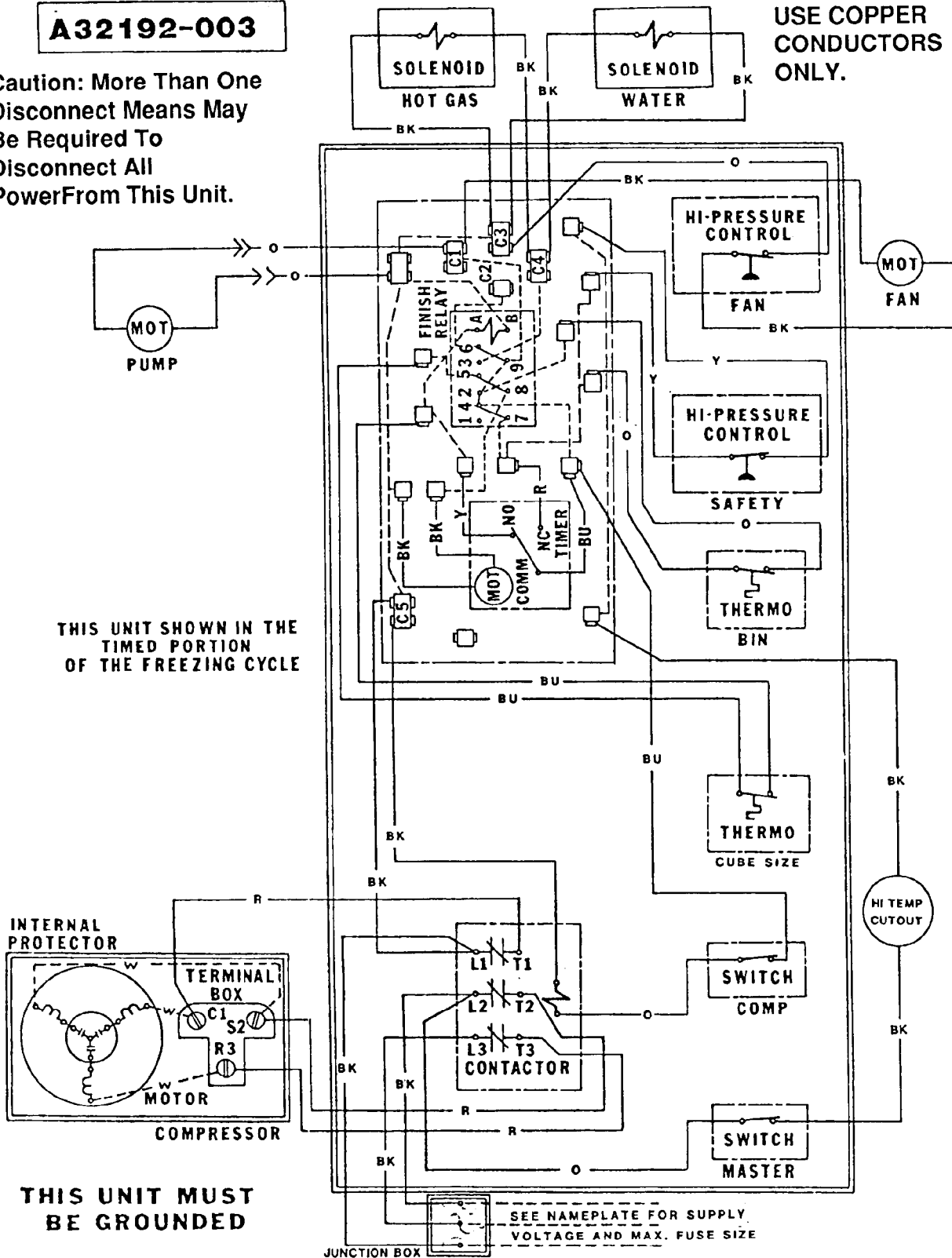
CM650E WIRING DIAGRAMS

Component Layout Diagram for CM650E-3E (208-230/60/3) Air and Water Cooled.

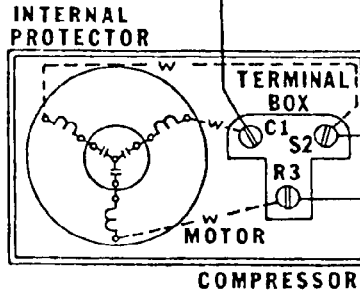
A32192-003

Caution: More Than One Disconnect Means May Be Required To Disconnect All Power From This Unit.

USE COPPER CONDUCTORS ONLY.



THIS UNIT SHOWN IN THE TIMED PORTION OF THE FREEZING CYCLE



THIS UNIT MUST BE GROUNDED

CM650E WIRING DIAGRAMS

Schematic Diagram for CM650E-3E, (208-230/60/3) Air or Water Cooled.

