

Prodigy Eclipse 600, 800, 1000 Service Parts

This part list contains the service parts for the Eclipse 600, 800 and 1000 systems.

The B series references changes to panels.

The models that are covered include:

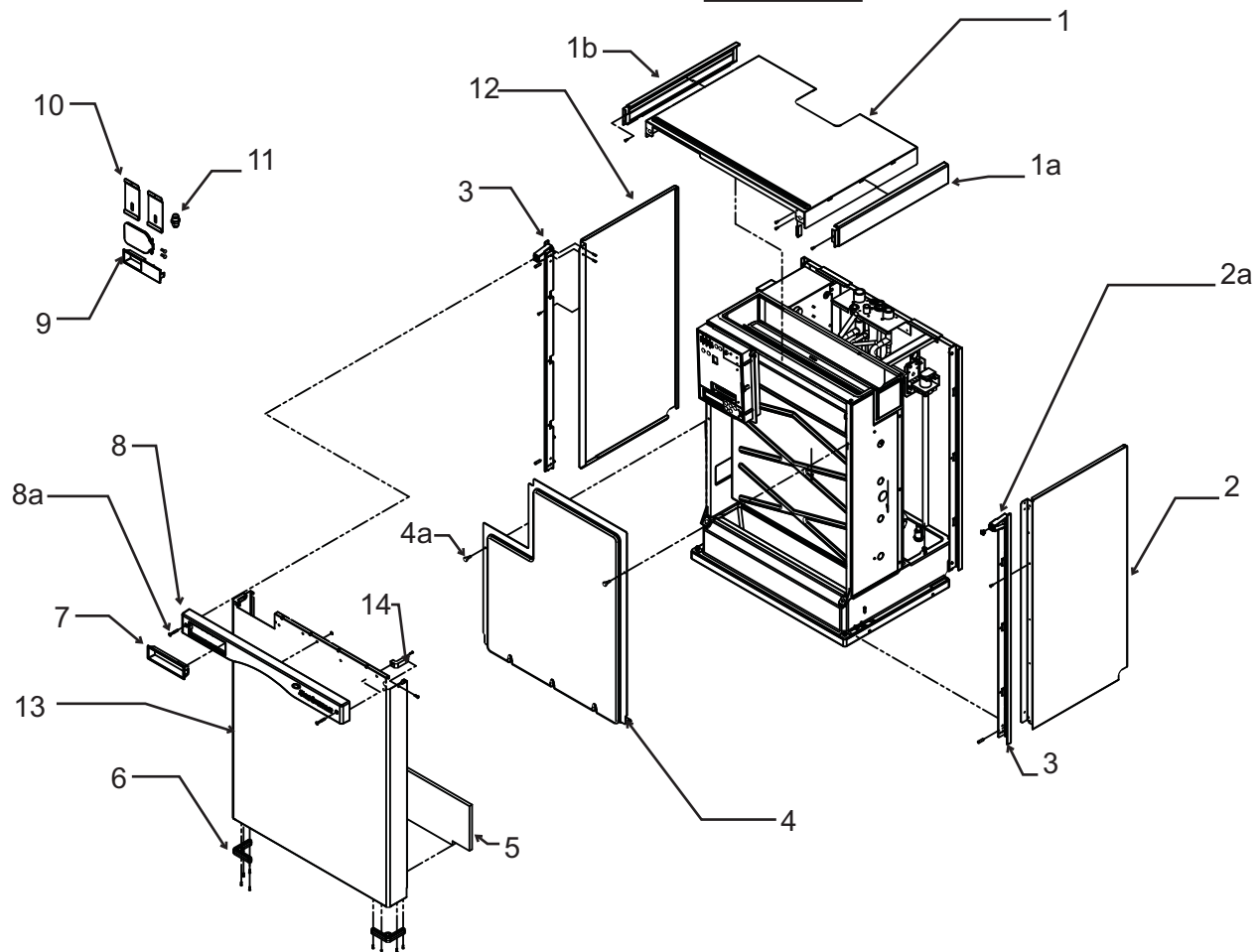
- EH222
- C0600CP
- C0800CP
- C1410CP
- ERC680
- ERC1086
- ER2C6810

Table of Contents

EH222 Cabinet - A Series	Page 2
EH222 Cabinet - B Series	Page 3
Back Panel Assembly	Page 4
EH222 Interior Parts	Page 5
EH222 Water System	Page 6
EH222 Refrigeration	Page 7
EH222 Electrical	Page 8
C0600CP, C0800CP and C1410CP Cabinet	Page 9
C0600CP, C0800CP and C1410CP Refrigeration Systems	Page 10
Compressors	Page 11
C0600CP, C0800CP and C1410CP Control Box	Page 12
Remote Condensers	Page 13
EH222 Schematic Diagram	Page 14
EH222 Wiring Diagram	Page 15
C0600CP, C0800CP and C1410CP Single Phase Schematic Diagram	Page 16
C0600CP, C0800CP and C1410CP Single Phase Wiring Diagram	Page 17
C0600CP, C0800CP and C1410CP Three Phase Wiring Diagram	Page 18
C0600CP, C0800CP and C1410CP Three Phase Schematic Diagram	Page 19

Prodigy Eclipse 600, 800, 1000 Service Parts

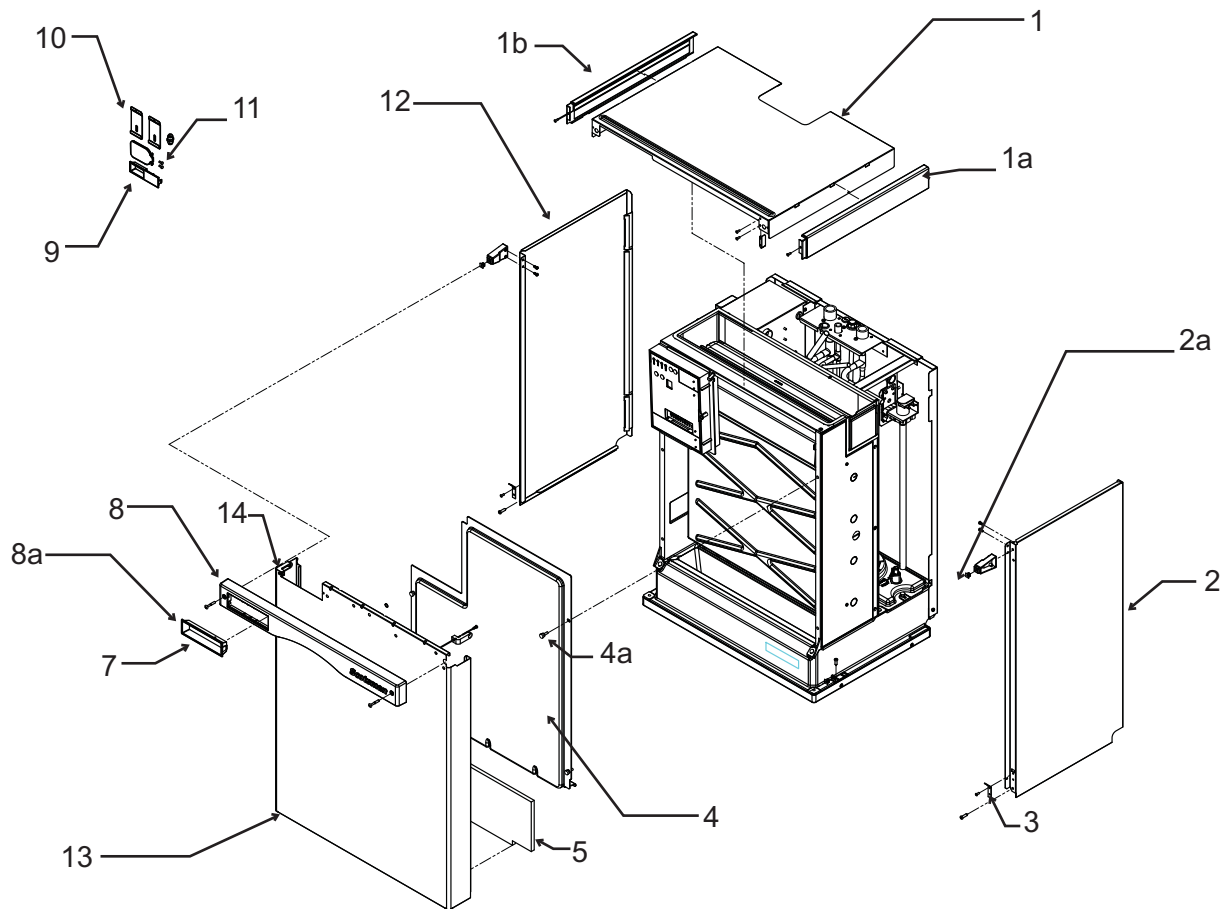
EH222 Cabinet - A Series



Item Number	Part Number	Description	Item Number	Part Number	Description
1	A39074-021	Top panel	7	02-4284-01	Bezel, full window
1a	02-4221-04	Trim strip	8	02-4214-01	Trim strip
1b	02-4221-03	Trim strip	8a	03-1735-03	Screw
2	A38553-023	Right side panel, includes item 3	9	02-4284-02	Bezel, partial window
3	02-4067-03	Side panel support	10	A39209-001	Machine strap
4	02-4341-01	Evaporator cover	11	16-1036-01	Flare union
4a	03-0727-05	Thumb screw	12	A38551-025	Left side panel, includes item 3
5	02-4324-01	Insulation	13	A38552-026	Front panel, includes items 5, 8, 6, 15 and 7
6	02-4217-01	Bottom gusset	14	02-4216-01	Upper gusset

Prodigy Eclipse 600, 800, 1000 Service Parts

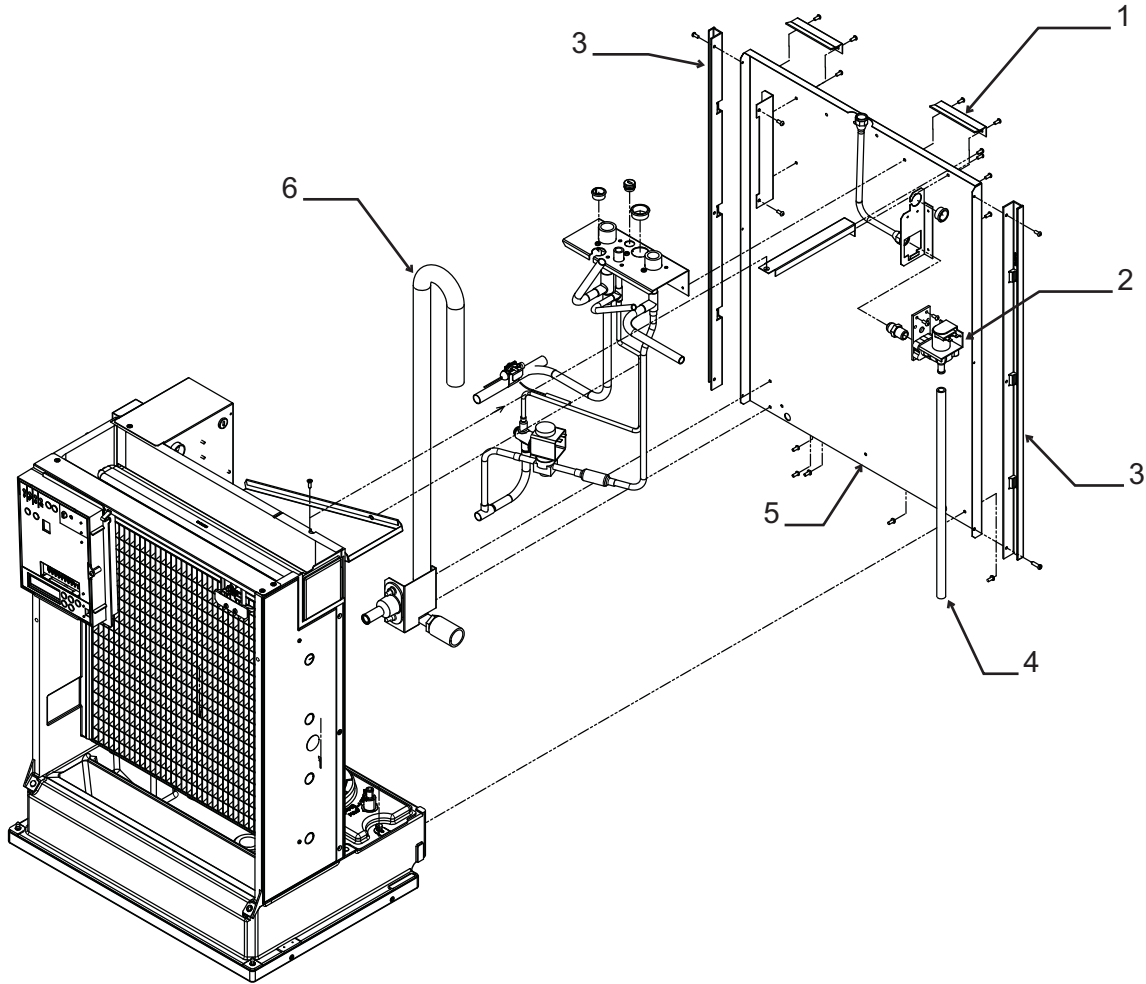
EH222 Cabinet - B Series



Item Number	Part Number	Description	Item Number	Part Number	Description
1	A39074-021	Top panel	12	A39580-025	Left side panel
1a	02-4221-04	Trim strip*	13	A39578-026	Front panel, includes items 5, 8, 6, 15 and 7
1b	02-4221-03	Trim strip*	14	02-4216-01	Upper gusset
2	A39589-021	Right side panel	* Side trim strips discontinued mid 2011.		
3	A39571-001	Panel clip	** Item 9 assembled to front panel and item 7 shipped loose, mid 2011.		
4	02-4341-01	Evaporator cover	*** Item 7 discontinued from production 2/8/2012.		
4a	03-0727-05	Thumb screw			
5	02-4324-01	Insulation			
6	02-4217-01	Bottom gusset			
7	02-4284-01	Bezel, full window***			
8	02-4214-01	Trim strip			
8a	03-1735-03	Screw			
9	02-4284-02	Bezel, partial window**			
10	A39209-001	Machine strap			
11	16-1036-01	Flare union			

Prodigy Eclipse 600, 800, 1000 Service Parts

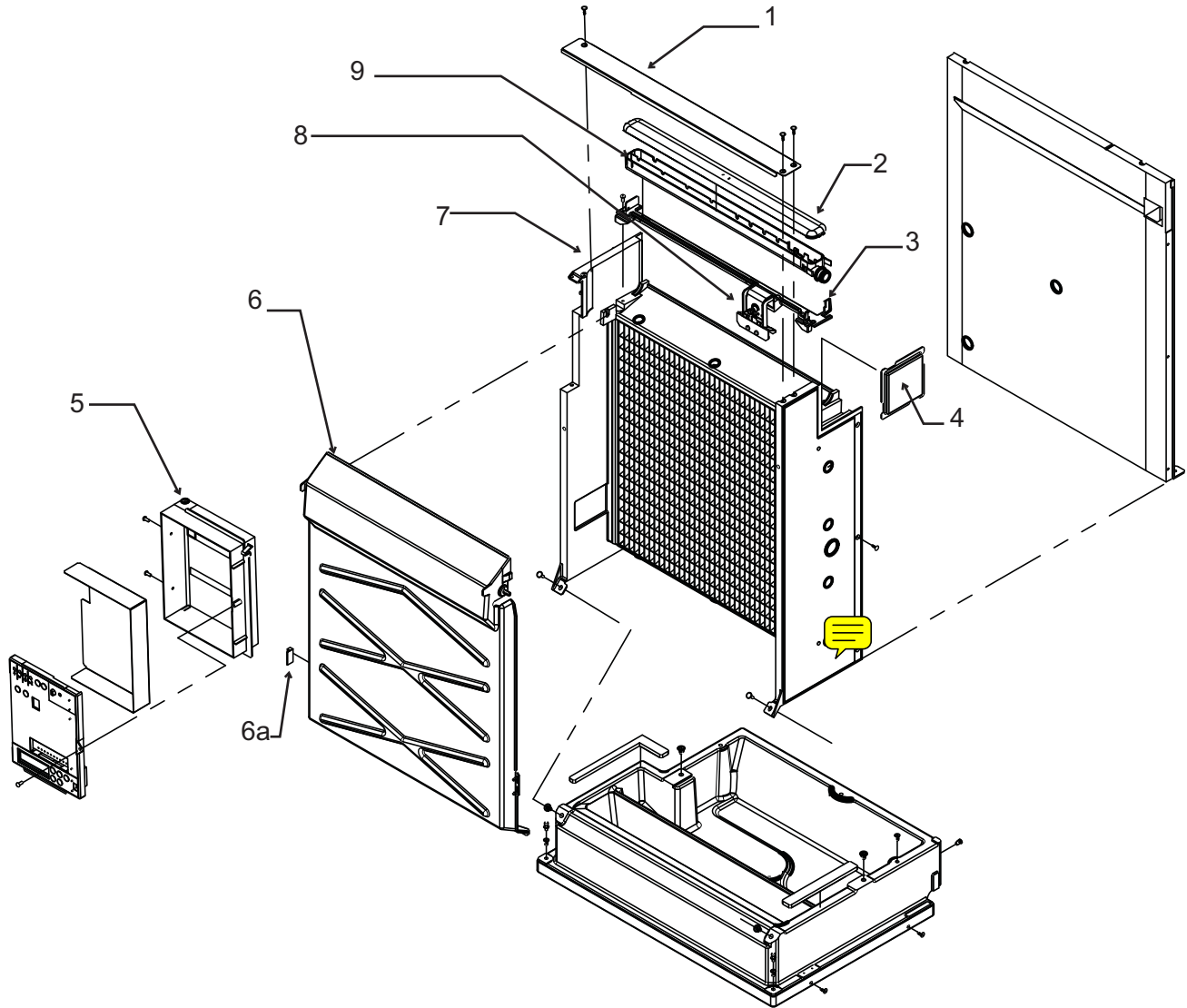
Back Panel Assembly



Item Number	Part Number	Description
1	A39070-001	Top panel bracket
2	12-2922-01	Inlet water sol valve
3	02-4067-05	Panel support
4	13-0674-02	Tube, use 16 in
5	A39065-001	Back panel, A series
	A39664-001	Back panel, B series
6	02-4290-01	Vent hose

Prodigy Eclipse 600, 800, 1000 Service Parts

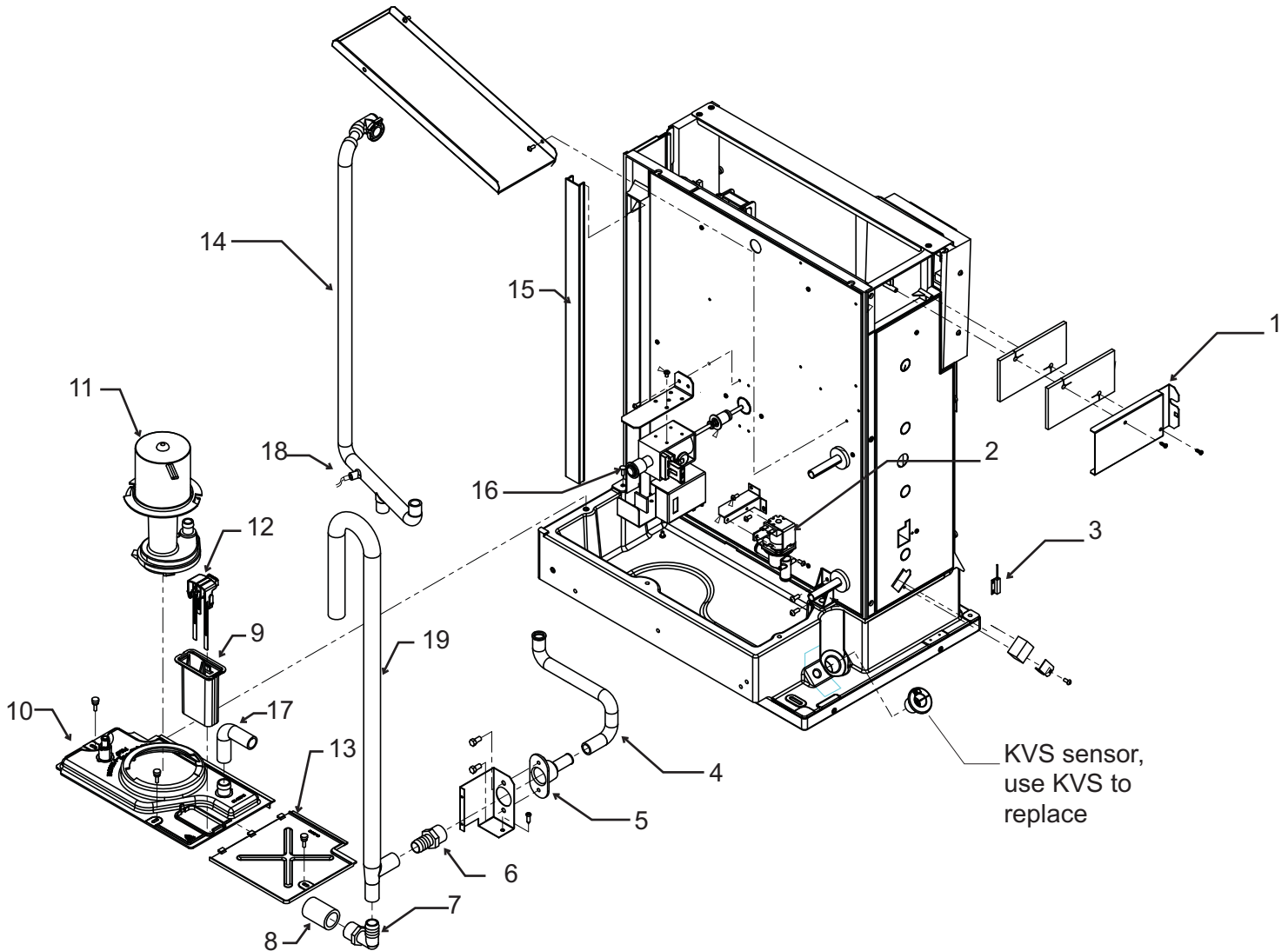
EH222 Interior Parts



Item Number	Part Number	Description
1	A38078-001	Bracket
2	02-4065-01	Water distributor cover
3	02-4205-02	Mounting bracket
4	02-4297-01	Evap side cover
5	02-4343-01	Controller box
6	A39843-001	Curtain kit, includes magnet and curtain switch
6a	11-0563-02	Magnet for single part curtain
7	A39053-021	Evaporator, small cube
	A39053-022	Evaporator, med cube
8	A39031-021	Ice thickness sensor
9	02-4064-02	Water distributor

Prodigy Eclipse 600, 800, 1000 Service Parts

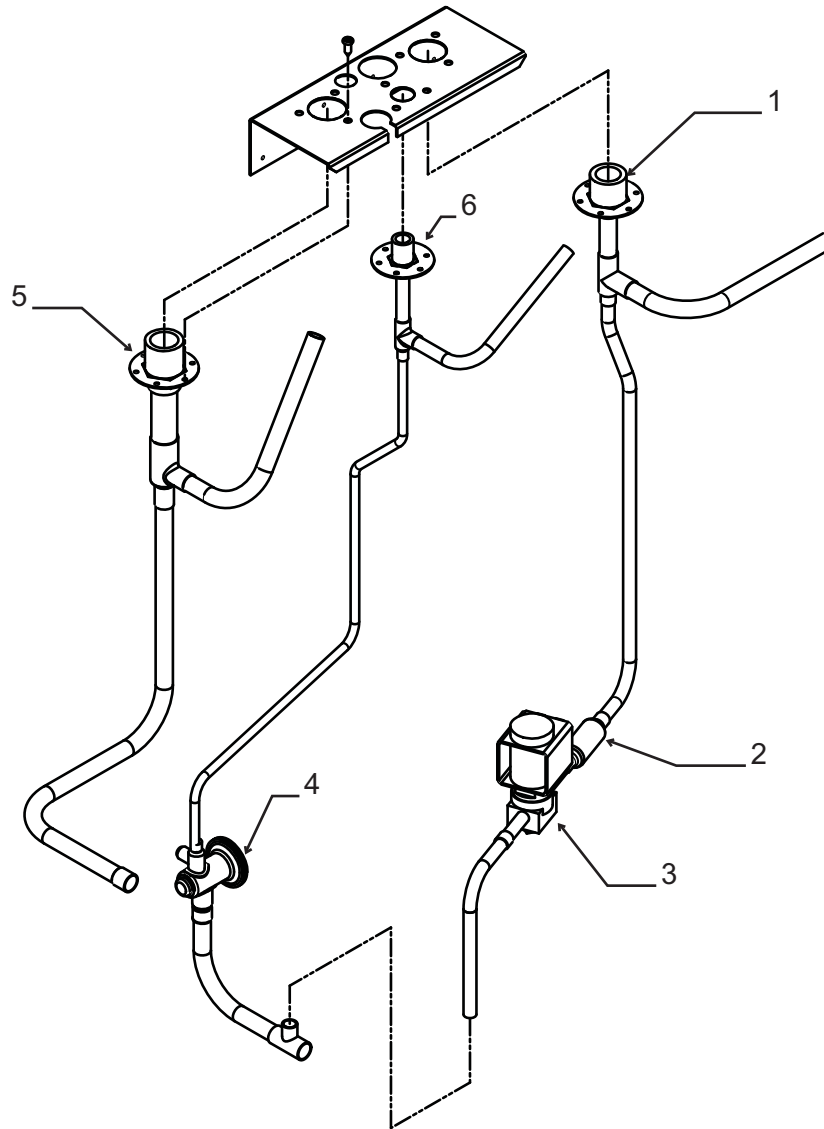
EH222 Water System



Item Number	Part Number	Description	Item Number	Part Number	Description
1	A39277-001	Chase cover	10a	02-4650-01	Pump bracket for sensor guard, use began w/11121320011187. Fits 9a
2	11-0564-01	Purge valve	11	12-2920-24	Water pump
3	11-0563-03	Curtain switch	12	A39030-021	Water level sensor
4	A39232-002	Drain hose	13	02-4292-01	Sump cover
5	02-3692-21	Drain adapter	14	02-4286-01	Pump hose
6	16-1099-01	Fitting	15	02-4296-01	Hose cover
7	16-1134-01	Elbow	16	12-3036-21	Harvest assist sol includes mounting brackets
8	16-1099-02	Coupling, pvc	17	A39232-001	Drain tube, inlet
9	02-4332-01	Sensor cover, prior	18	11-0515-21	Water temp sensor
9a	02-4646-01	Sensor guard, fits 10a	19	02-4290-01	Drain and vent tube
10	02-4291-01	Pump bracket - fits 9			

Prodigy Eclipse 600, 800, 1000 Service Parts

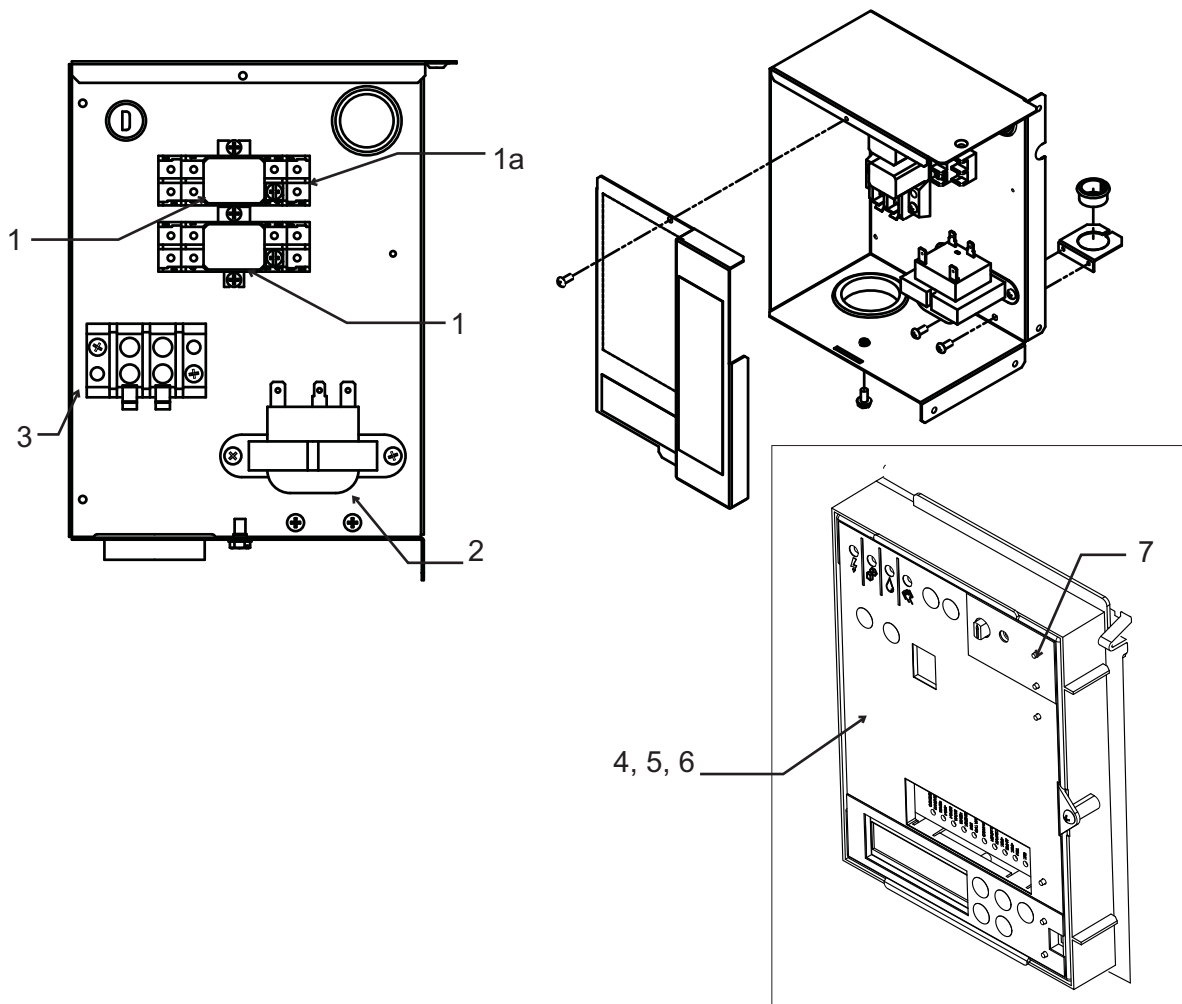
EH222 Refrigeration



Item Number	Part Number	Description
1	16-0850-01	Quick connect, vapor
2	16-1063-01	Strainer
3	11-0493-02	Vapor solenoid valve
4	16-1142-01	TXV
4a	02-4405-01	Insulation, TXV
5	16-0850-04	Quick connect, suction
6	16-0850-03	Quick connect, liquid

Prodigy Eclipse 600, 800, 1000 Service Parts

EH222 Electrical



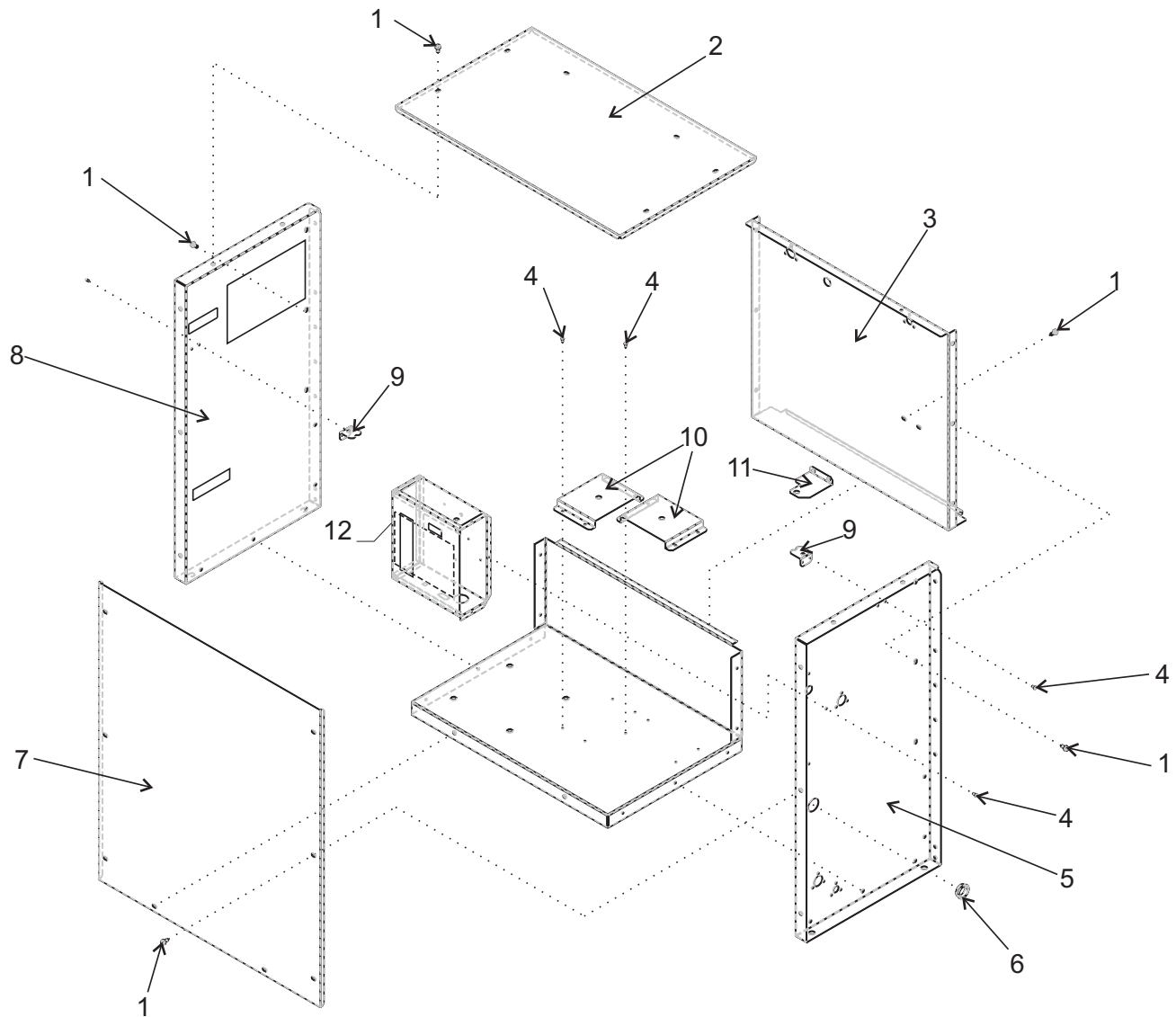
Item Number	Part Number	Description
1	12-2949-01	Relay
1a	12-2949-02	Relay base
2	12-2924-01	Transformer
3	12-2780-01	Terminal strip
4	11-0550-28	Controller
5	02-4189-01	Overlay label
6	02-4076-01	Control box door
7	KVS	Vari-Smart control , complete with sensor

Not shown:

8	12-1638-19	Power cord
9	12-2957-01	High voltage harness
10	12-2954-01	Low voltage harness
11	12-2928-01	Water level sensor harness

Prodigy Eclipse 600, 800, 1000 Service Parts

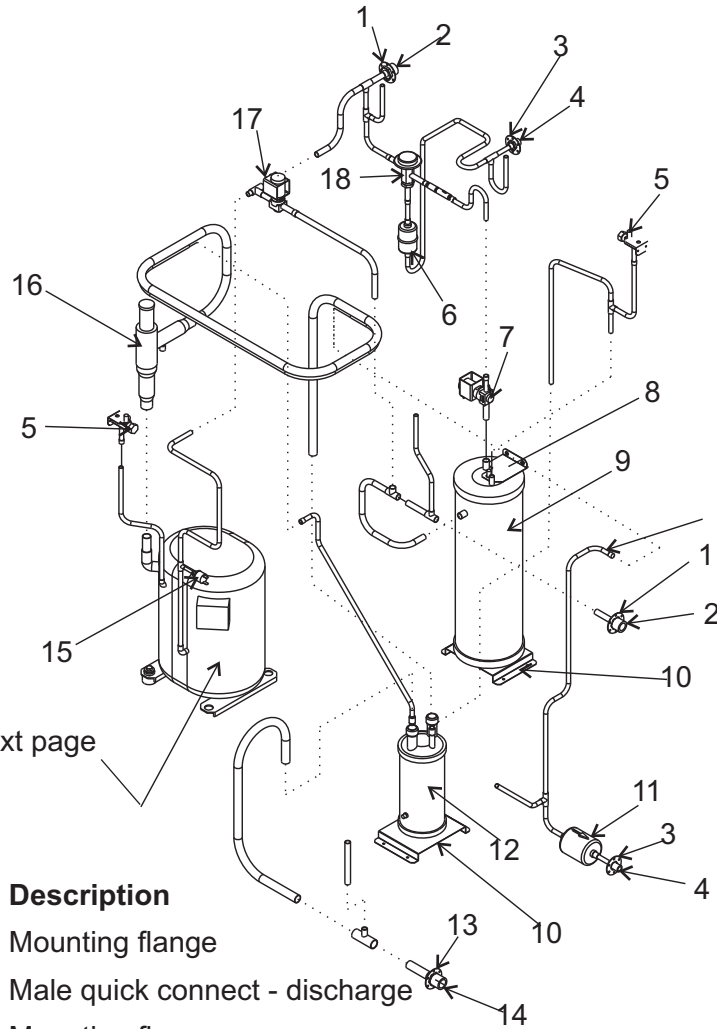
C0600CP, C0800CP and C1410CP Cabinet



Item Number	Part Number	Description	Item Number	Part Number	Description
1	03-1645-01	Screw	10	A37948-001	Receiver or accumulator bracket
2	A37853-001	Top cover	11	A37949-001	Receiver top bracket
3	A37845-001	Back panel	12	A38430-001	Control box cover
4	03-1531-01	Screw			
5	A37829-001	Right side panel			
6	12-1213-20	Snap bushing			
7	A37896-001	Front cover			
8	A37829-002	Left side panel			
9	A37962-001	Service valve bracket			

Prodigy Eclipse 600, 800, 1000 Service Parts

C0600CP, C0800CP and C1410CP Refrigeration Systems



Compressor - see next page

Item Number	Part Number	Description
1	16-0701-14	Mounting flange
2	16-0850-01	Male quick connect - discharge
3	16-0701-07	Mounting flange
4	16-0850-03	Male quick connect - liquid
5	16-0832-20	Access valve
6	02-3231-02	Filter
7	11-0546-01	Liquid inlet valve (N.O.)
8	A37949-001	Top bracket
9	16-1085-01	Receiver
10	A37948-001	Bottom bracket
11	02-3319-02	Filter dryer
12	16-0801-22	Suction accumulator
13	16-0701-18	Mounting flange
14	16-0850-04	Male quick connect - suction
15	11-0501-22	Hi press cut out
16	16-1096-22	CPR valve
17	11-0507-03	By pass solenoid valve
18	11-0422-22	Headmaster

Prodigy Eclipse 600, 800, 1000 Service Parts

Compressors

Compressor - see table below

CP Model	Phase	Part Number
C0600CP-32	single	18-8768-22
C0600CP-3	three	18-8768-24
C0800CP-32	single	18-8813-23
C0800CP-3	three	18-8813-25
C1410CP-32	single	18-8749-22
C1410CP-3	three	18-8749-24

All compressors are 208-230 volt, 60 Hz.

Single phase compressors include starting components.

All include a drier.

18-8813 & 18-8749 types include crankcase heaters

18-2308-01 Crankcase heater for 18-8813 and 18-8749 type

12-1868-02 Crankcase heater for 18-8768 type

Mounting parts for 18-8813 and 18-8749 type compressors:

18-2300-27 Mounting grommet

18-2300-26 Sleeve

03-1406-07 Washer

03-1405-20 Cap screw

Mounting parts for 18-8768 type compressors:

18-2200-28 Mounting grommet

18-2200-27 Sleeve

03-1406-07 Washer

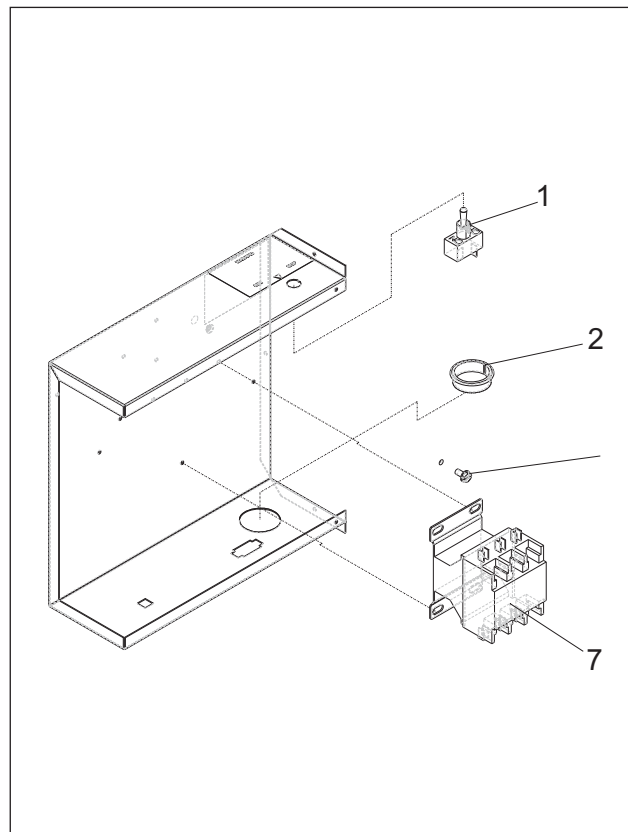
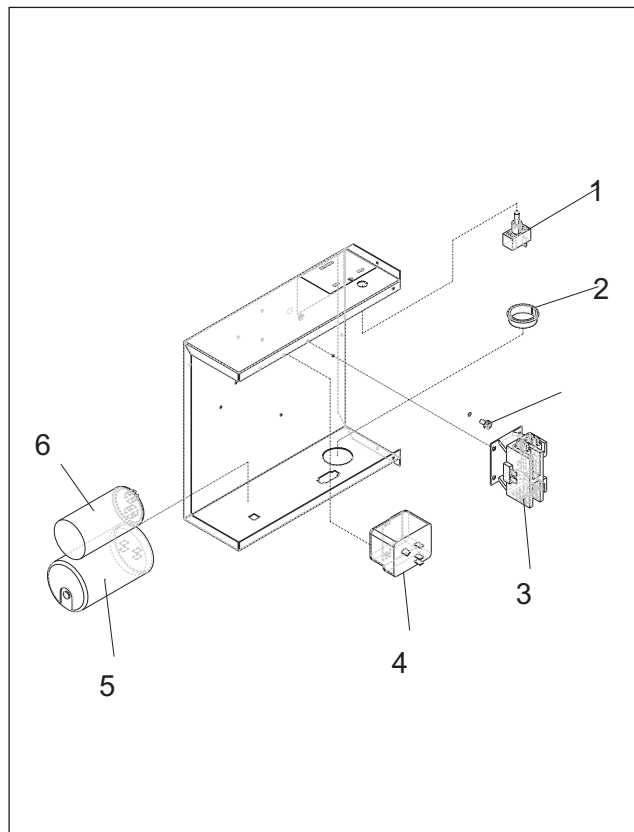
03-1404-20 Cap screw

Parts Shipped in CP unit:

12-2865-01 75' Interconnecting harness

Prodigy Eclipse 600, 800, 1000 Service Parts

C0600CP, C0800CP and C1410CP Control Box



Item Number	Part Number	Description
1	12-2637-01	Toggle switch
2	12-1213-20	Snap bushing
3	12-2469-01	Single phase contactor

		C0600CP-32	C0800CP-32	C1410CP-32
4	Comp. Relay	18-1903-33	18-1903-33	18-1903-46
5	Start Capacitor	18-1901-54	18-1901-15	18-1901-48
6	Run Capacitor	18-1902-45	18-1902-53	18-1902-55

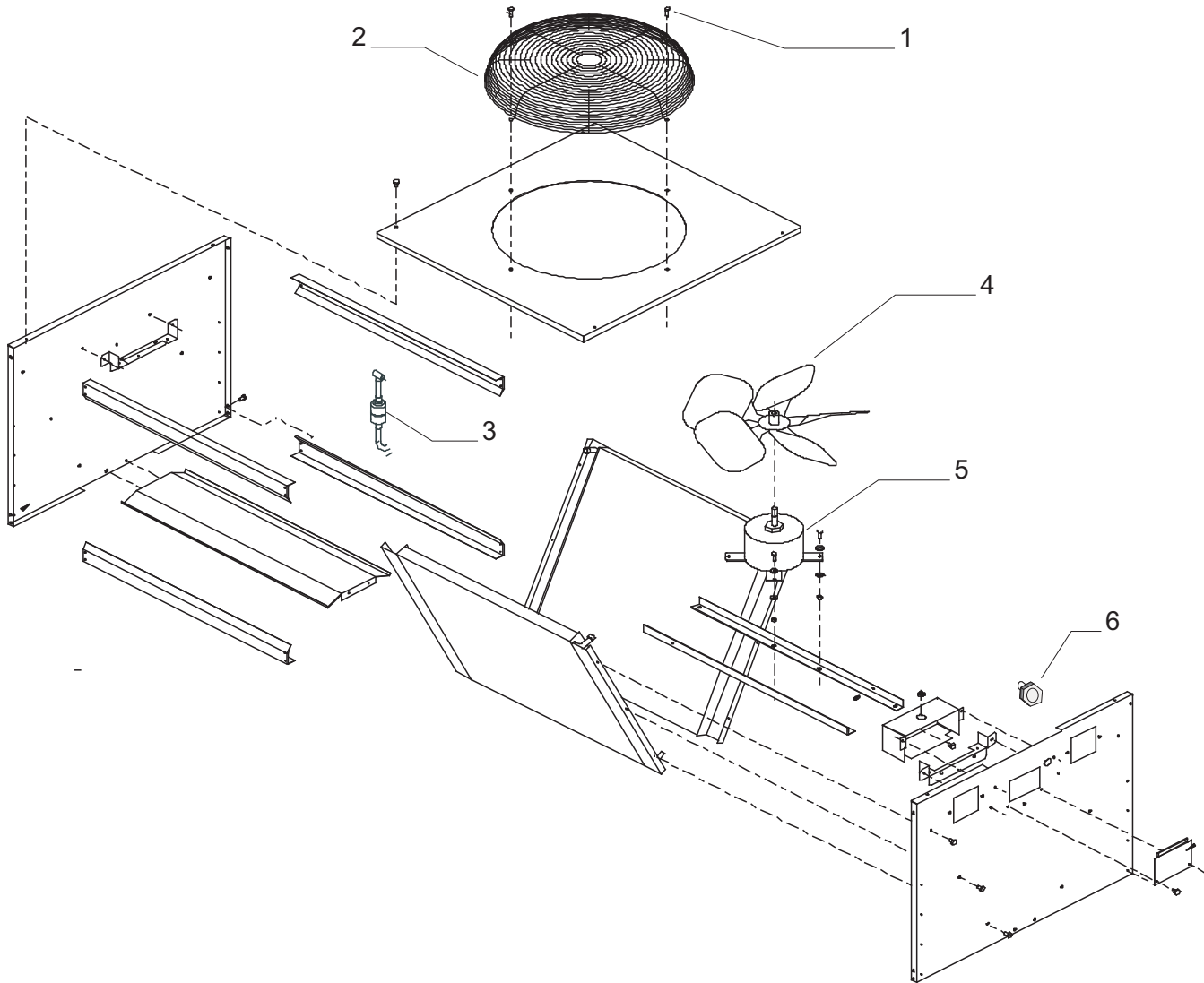
7 12-2533-01 Three phase contactor

Not Shown:

8 12-2836-02 Transformer, 230 volt to 24 volt

Prodigy Eclipse 600, 800, 1000 Service Parts

Remote Condensers



Models ERC680, ERC1086

Item Number	Part Number	Description
1	03-1405-08	Screw
2	02-3575-01	Fan guard
3	02-3231-03	Filter
4	18-8816-01	Fan blade
5	12-2651-01	Fan motor
6	16-1057-04	Quick connect, disch
	16-1057-03	Quick connect, liquid

Not Shown:

A37169-001	Leg
A37170-001	Leg brace
03-1645-01	Screw for legs

Model ER2C6810 (two circuit condenser)

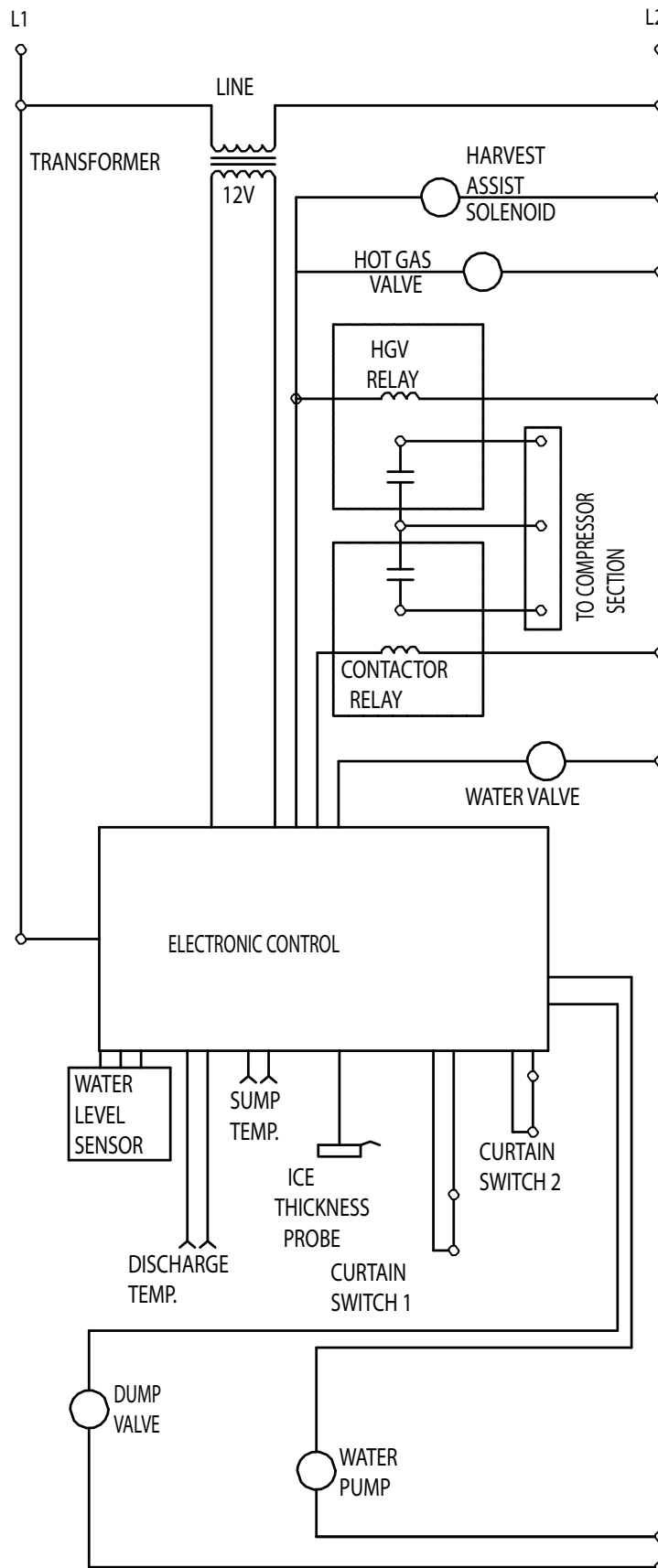
Item Number	Part Number	Description
1	03-1405-08	Screw
2	02-3770-01	Fan guard
3	02-3231-03	Filter
4	18-8820-01	Fan blade
5	12-2717-01	Fan motor
6	16-1057-04	Quick connect, discharge
	16-1057-03	Quick connect, liquid

Not Shown:

A37169-001	Leg
A37296-001	Leg brace
03-1645-01	Screw for legs

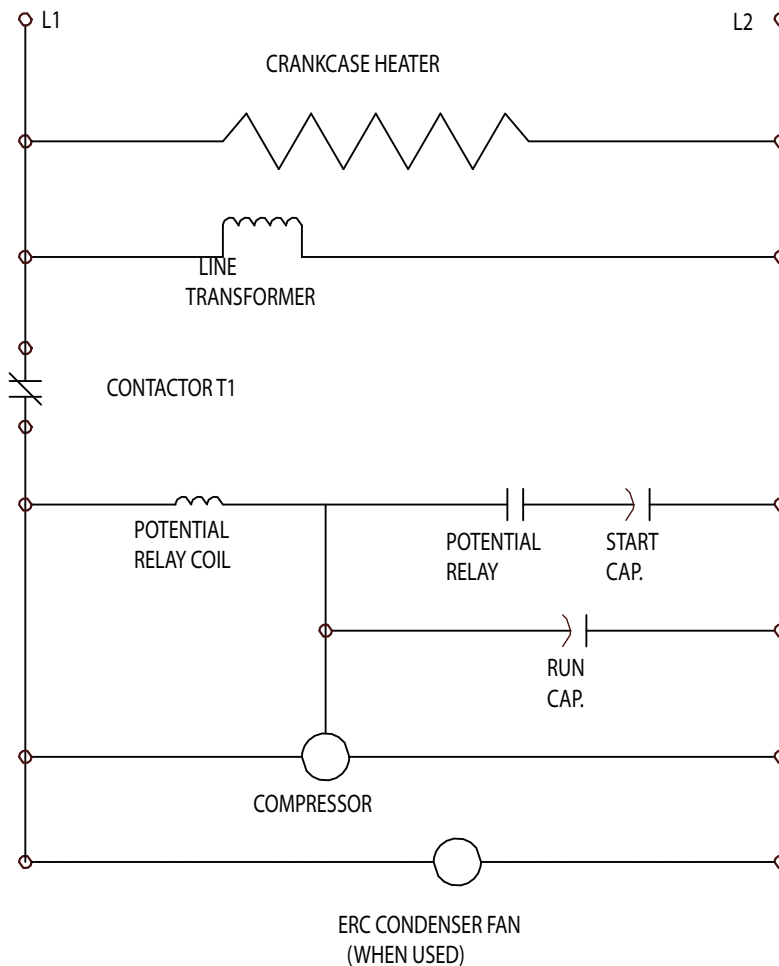
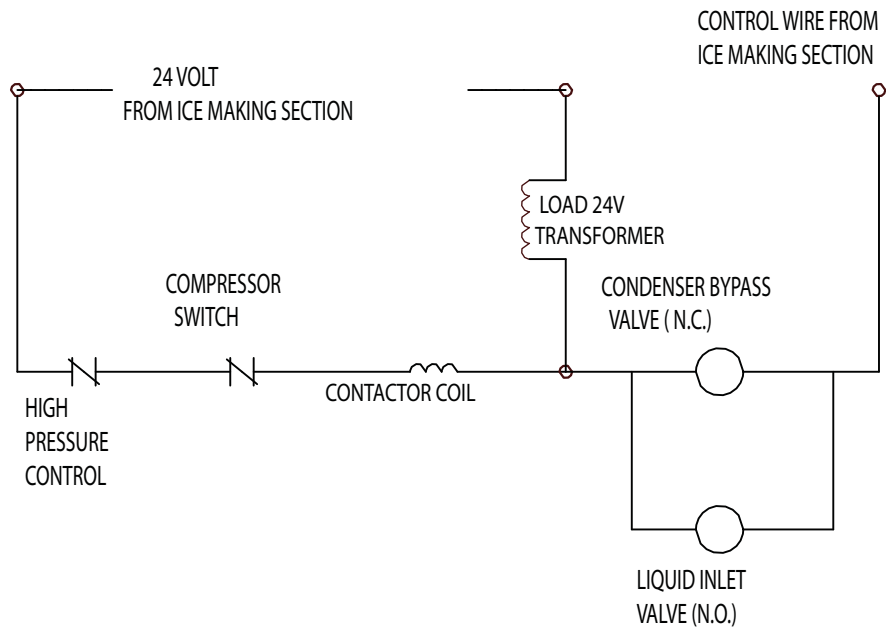
Prodigy Eclipse 600, 800, 1000 Service Parts

EH222 Schematic Diagram



Prodigy Eclipse 600, 800, 1000 Service Parts

C0600CP, C0800CP and C1410CP Single Phase Schematic Diagram




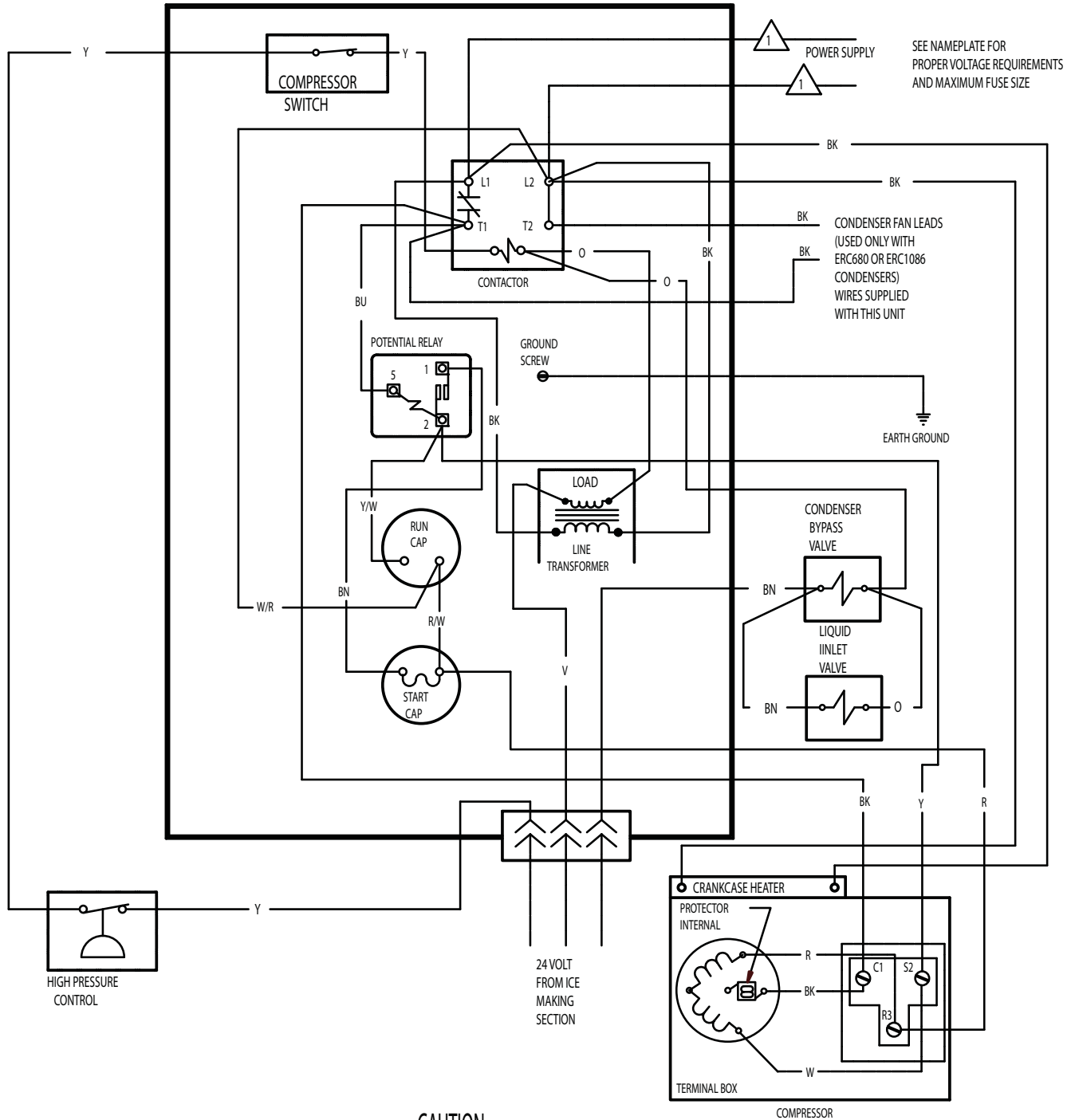
Prodigy Eclipse 600, 800, 1000 Service Parts

C0600CP, C0800CP and C1410CP Single Phase Wiring Diagram

17-3130-01

USE COPPER CONDUCTORS ONLY

 DASHED LINES INDICATE FIELD WIRING WHICH MUST BE INSTALLED IN ACCORDANCE WITH THE NATIONAL ELECTRICAL CODE AND ALL STATE AND LOCAL CODES.



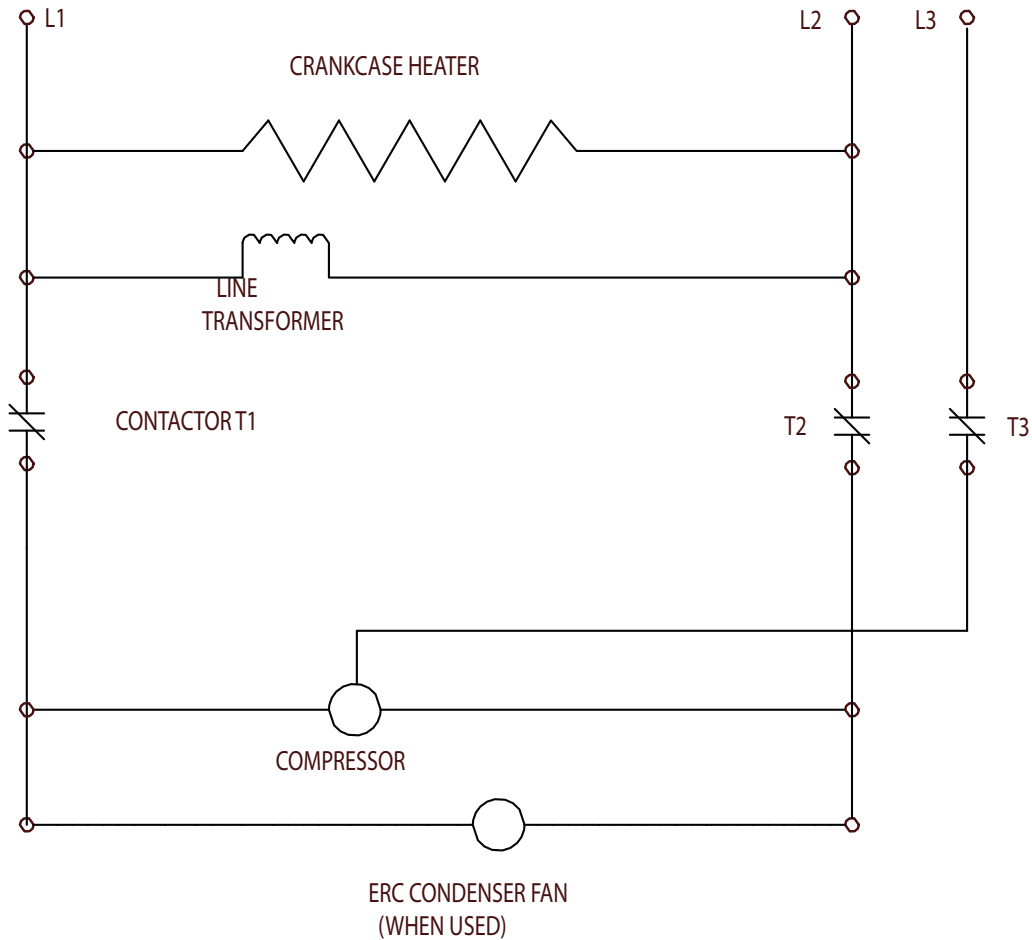
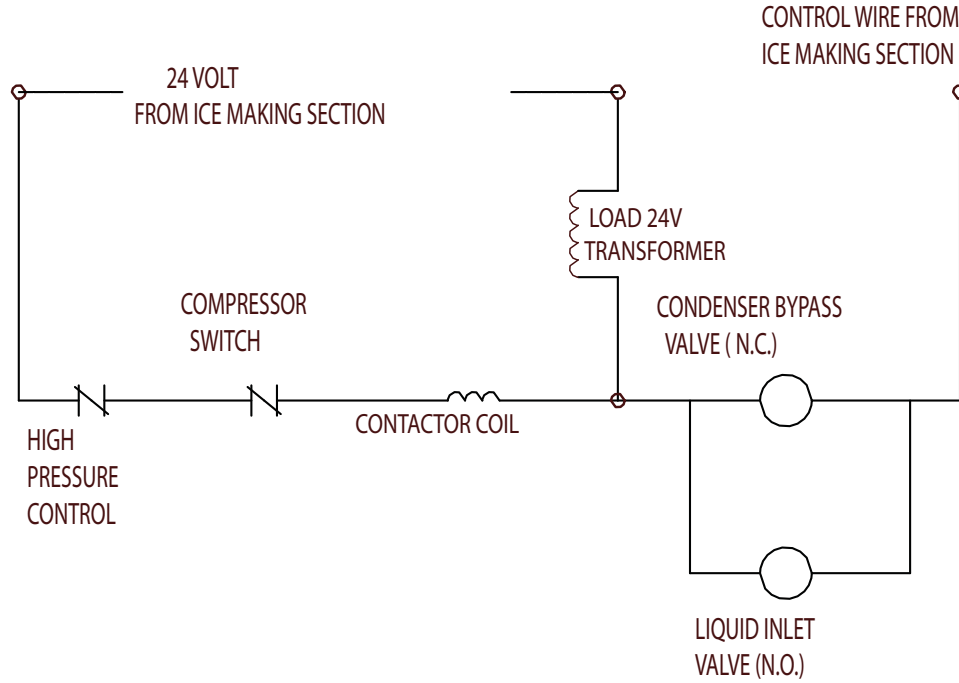
THIS UNIT MUST BE GROUNDED.

CAUTION:

MORE THAN ONE DISCONNECT MEANS MAY BE REQUIRED TO DISCONNECT ALL POWER TO THIS UNIT.

Prodigy Eclipse 600, 800, 1000 Service Parts

C0600CP, C0800CP and C1410CP Three Phase Wiring Diagram




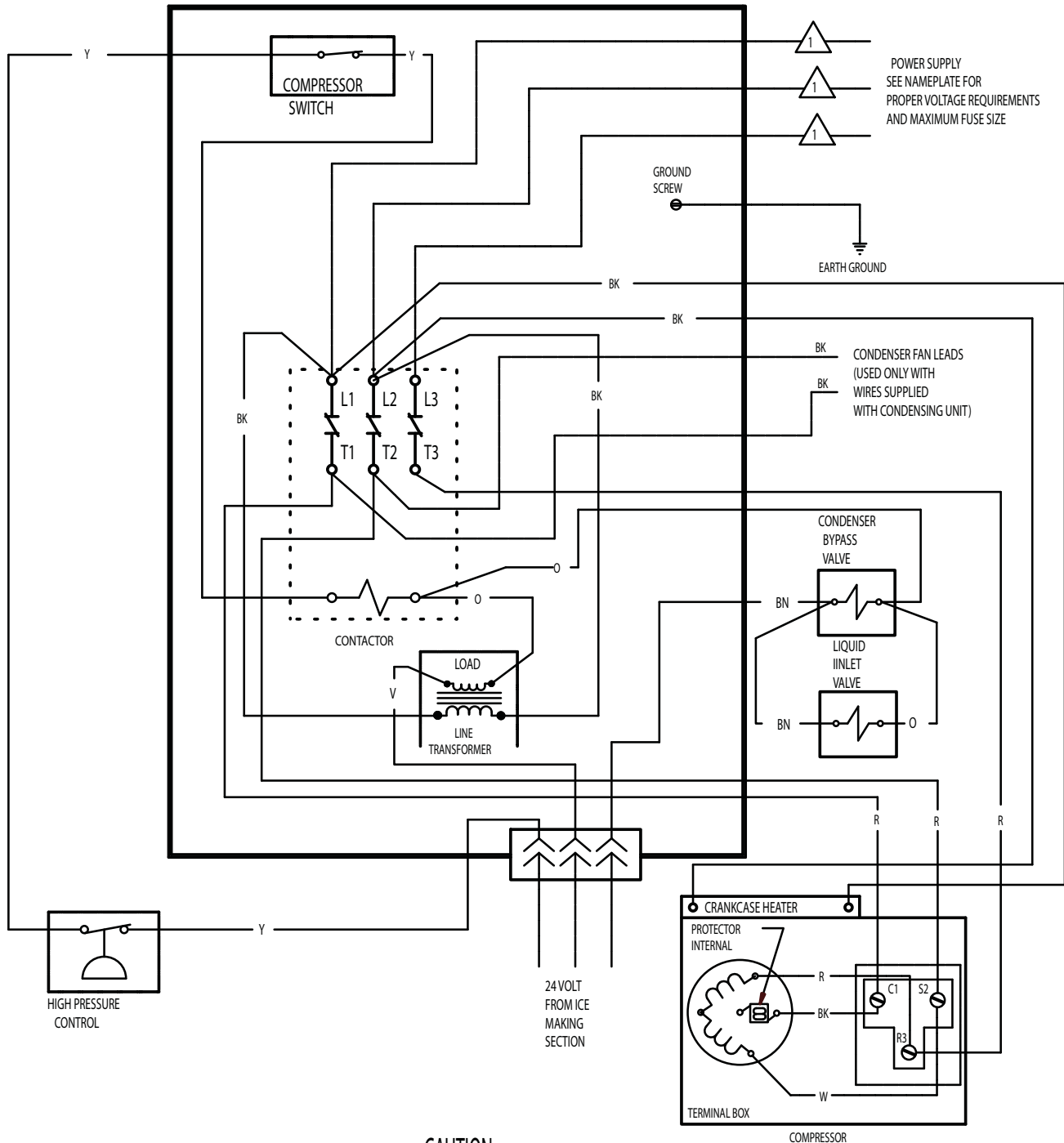
Prodigy Eclipse 600, 800, 1000 Service Parts

C0600CP, C0800CP and C1410CP Three Phase Schematic Diagram

17-3131-01

USE COPPER CONDUCTORS ONLY

 DASHED LINES INDICATE FIELD WIRING WHICH MUST BE INSTALLED IN ACCORDANCE WITH THE NATIONAL ELECTRICAL CODE AND ALL STATE AND LOCAL CODES.



POWER SUPPLY
SEE NAMEPLATE FOR
PROPER VOLTAGE REQUIREMENTS
AND MAXIMUM FUSE SIZE

EARTH GROUND

CONDENSER FAN LEADS
(USED ONLY WITH
WIRES SUPPLIED
WITH CONDENSING UNIT)

CONDENSER
BYPASS
VALVE
LIQUID
INLET
VALVE

HIGH PRESSURE
CONTROL

24 VOLT
FROM ICE
MAKING
SECTION

CRANKCASE HEATER
PROTECTOR
INTERNAL
TERMINAL BOX
COMPRESSOR

CAUTION:

MORE THAN ONE DISCONNECT MEANS MAY BE
REQUIRED TO DISCONNECT ALL POWER TO THIS UNIT.

THIS UNIT MUST
BE GROUNDING.