

**PRODIGY**  
PLUS



## Modular Remote Low Side Flake & Nugget Ice Machine

### Prodigy Plus® Flake & Nugget Ice Machine

#### Superior performance with every cup.

Now the soft, chewable flake/nugget ice that customers love is available with more innovative technology than ever before. With next-generation diagnostics like AutoAlert™ indicator lights on the new Scotsman Prodigy Plus® flake/nugget ice machines, operators can help ensure superior performance while enjoying maximum efficiency — every day. And with features like advanced ice level control, a small operational footprint and easy-access service from the front panel, Prodigy Plus® flake/nugget ice machines are the smart choice for today's busy food-service environments.

#### The Prodigy Plus® difference.

- AutoAlert™ indicator lights for better visibility
- Operational footprint among the industry's smallest
- Industry-exclusive QR code instantly connects users to service information and warranty history
- Front-located air filter for more efficient operation
- Self-aligning front panel for easy access to key components
- Smart-Board™ advanced feature module available for additional diagnostic capabilities
- Optional Vari-Smart™ ice level control allows operators to customize ice levels
- Antimicrobial protection guards internal surfaces between cleanings
- A full range of water- and energy-saving features



#### 24 Hour Volume Production

Flake Ice Machine				Nugget Ice Machine			
F1222L		F1222L		N0922L		N1322L	
70°F/21°C 50°F/10°C	Air Water	90°F/32°C 70°F/21°C	70°F/21°C 50°F/10°C	70°F/21°C 50°F/10°C	Air Water	90°F/32°C 70°F/21°C	70°F/21°C 50°F/10°C
1180/535 lb/kg		1000/454 lb/kg	1445/655 lb/kg	1090/494 lb/kg		915/415 lb/kg	1330/605 lb/kg
			1205/547 lb/kg				1100/499 lb/kg



#### Modular Bin Options



B948S

Model Number*	Dimensions W" x D" x H"	Bin Application Capacity		Finish	Ship Weight lb/kg
		lb/kg			
B948S	48 x 34 x 44**	893/406		Metallic	209/95
BH1100BB-A	48 x 34 x 50**	1100/499		SS w/ GBB†	280/127
BH1100SS-A	48 x 34 x 50**	1100/499		Stainless Steel	280/127
BH1300BB-A	60 x 34 x 50**	1400/635		SS w/ GBB†	310/140
BH1300SS-A	60 x 34 x 50**	1400/635		Stainless Steel	310/140
BH1600BB-A	60 x 34 x 62**	1755/796		SS w/ GBB†	370/168
BH1600SS-A	60 x 34 x 62**	1755/796		Stainless Steel	370/168

\*Contact Scotsman for bin top requirements. \*\*Add 6" Height for bin legs.  
† Stainless steel with galvanized back & bottom.



#### Ice Forms



Flake Ice



Nugget Ice



#### Certification



#### Warranty

- 3 years parts and labor on all components.
- Warranty valid in North, South & Central America for commercial installations.
- Contact factory for warranty in other regions.
- Residential Applications: 1 year parts and labor

**Scotsman**®

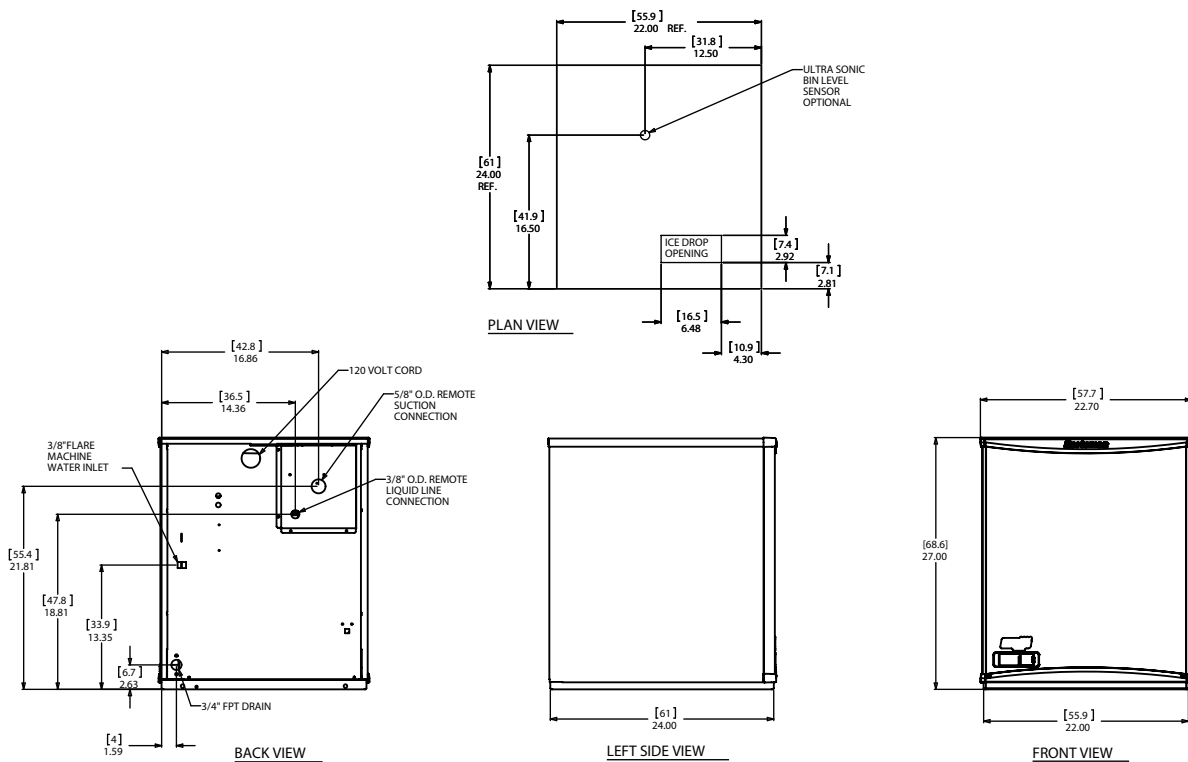
• 101 Corporate Woods Parkway, Vernon Hills, IL 60061 •  
• 1-800-SCOTSMAN • Fax: 847-913-9844 • www.scotsman-ice.com • customer.relations@scotsman-ice.com •

Modular Remote Low Side Flake  
& Nugget Ice Machine

# Modular Remote Low Side Flake & Nugget Ice Machine

## Prodigy Plus® Flake & Nugget Ice Machine

### Modular Remote Low Side Flake & Nugget Ice Machine



### Specifications

Model Number	Condenser Unit*	Basic Electrical Volts/Hz/Phase	Max. Fuse Size (amps)	Circuit Wires	Min. Circuit Ampacity	Energy Consumption kWh/100 lb (45.4 kg) 90°F(32°C)/70°F(21°C)	Water Usage Gallons/100 lb (liters/45.4 kg)	
							Potable 90°F(32°C)/70°F(21°C)	Condenser 90°F(32°C)/70°F(21°C)
F1222L-1	Remote Low Side	115/60/1	15	2	Cord	0.82	12.0/45.5	-
F1522L-1	Remote Low Side	115/60/1	15	2	Cord	0.72	12.0/45.5	-
N0922L-1	Remote Low Side	115/60/1	15	2	Cord	0.87	12.0/45.5	-
N1322L-1	Remote Low Side	115/60/1	15	2	Cord	0.73	12.0/45.5	-

\*Ice heads designed to operate with external condensing units (supplied by others)



### All Models

#### Dimensions (W x D x H):

Unit: 22.9" x 24" x 27"  
(58.2 x 61.0 x 68.6 cm)

Shipping Carton: 25.5" x 27.5" x 32.5"  
(64.8 x 69.9 x 82.6 cm)

Shipping Weight:  
F1222L & N0922L: 217lb / 98kg  
F1522L & N1322L: 224lb / 102kg

BTUs per hour: F1222L & N0922L: 6,000  
F1522L & N1322L: 7,200

Refrigerant\*: R-404A  
\*Refrigerant must be added at initial start-up.



### Accessories

Model Number	Description
KVS	Vari-Smart™ Ice Level Control - Program ice bin levels to match ice needs.
KSBU	Smart-Board™ Advanced Control - Use additional operational data for fast diagnosis.
KSBU-N	Smart-Board™ Advanced Control with Network - Network capable.
BRTE10	10ft (3.0 m) line set, brazing required
BRTE25	25ft (7.6 m) line set, brazing required
BRTE40	40ft (12.2 m) line set, brazing required
BRTE75	75ft (22.9 m) line set, brazing required
KPAS	Prodigy Advanced Sustainability Kit - Includes KVS and KSBU - N

Scotsman recommends all ice machines have water filtration. See Scotsman water filter specification sheet for details.



### Operating Requirements

	Minimum	Maximum
Air Temperatures	50°F (10°C)	100°F (38°C)
Water Temperatures	40°F (4.4°C)	100°F (38°C)
Remote Cond. Temps	-20°F (-29°C)	120°F (49°C)
Water Pressures	20 PSIG (1.4 bar)	80 PSIG (5.5 bar)
Electrical Voltage	-5%	+10%

Specifications and design are subject to change without notice.

• 101 Corporate Woods Parkway, Vernon Hills, IL 60061 •

• 1-800-SCOTSMAN • Fax: 847-913-9844 • www.scotsman-ice.com • customer.relationships@scotsman-ice.com •

# Scotsman®