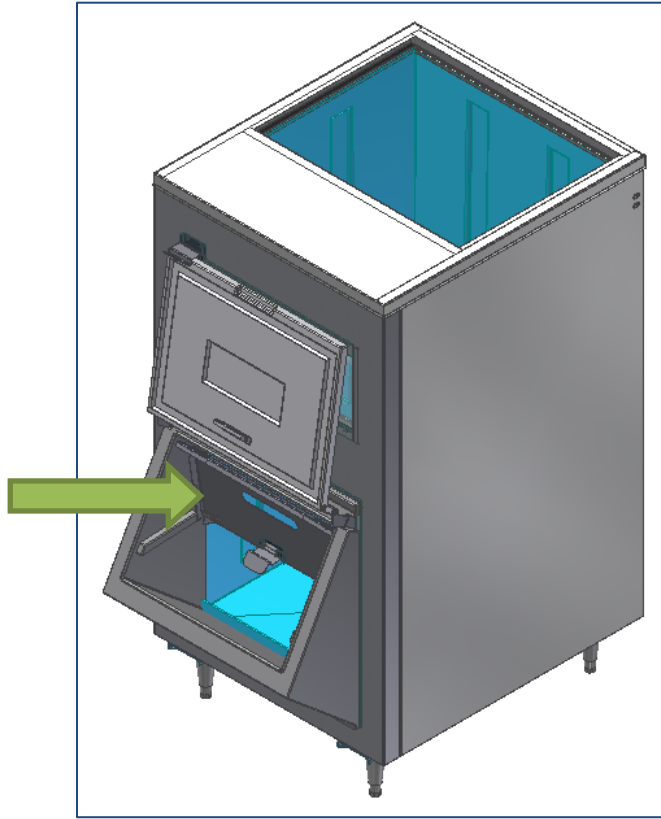


## BH1100, BH1300 & BH1600 Baffle Removal Instructions

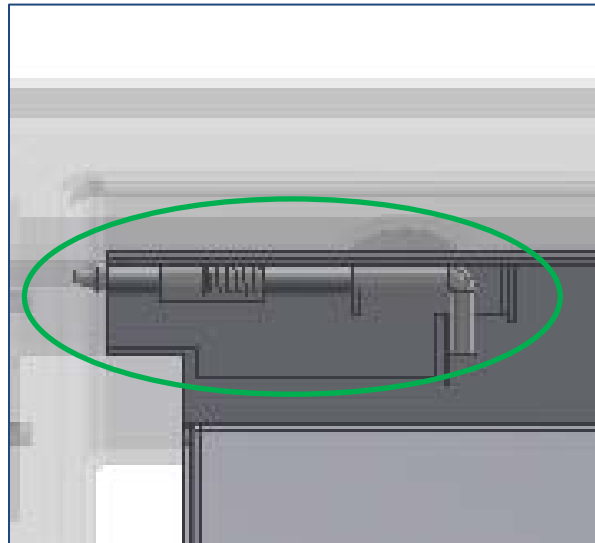
**\*NOTE:** Only perform these instructions when the ice level is below the baffle assembly in the bin.

**\*CAUTION:** Do NOT place your hand in the paddle access slot.  
Only handle the baffle assembly by the outside edges.

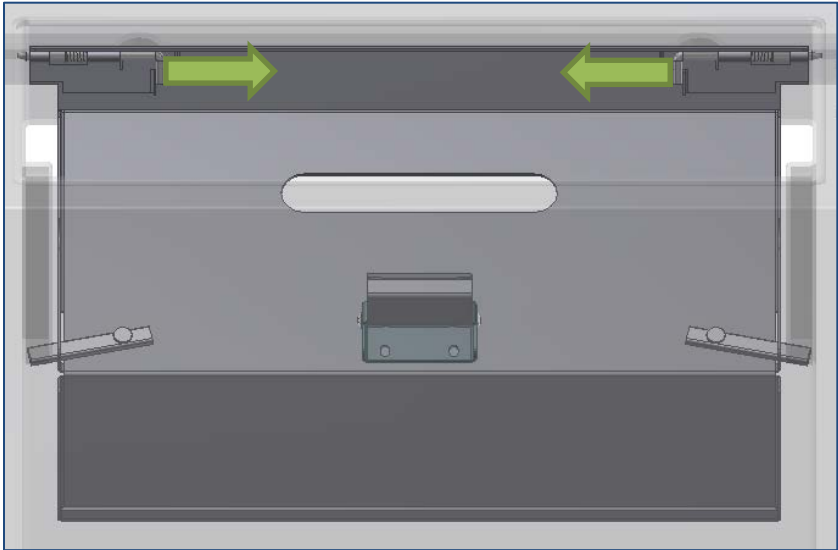




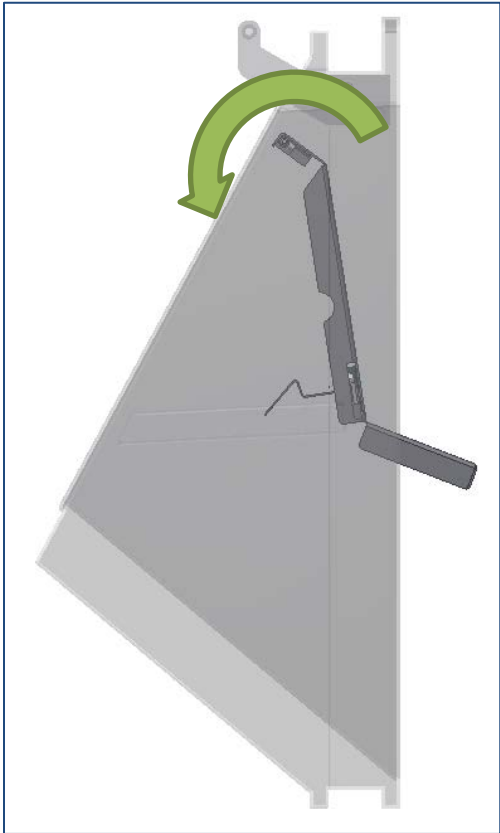
1. Locate the baffle assembly by lifting the snout door up.



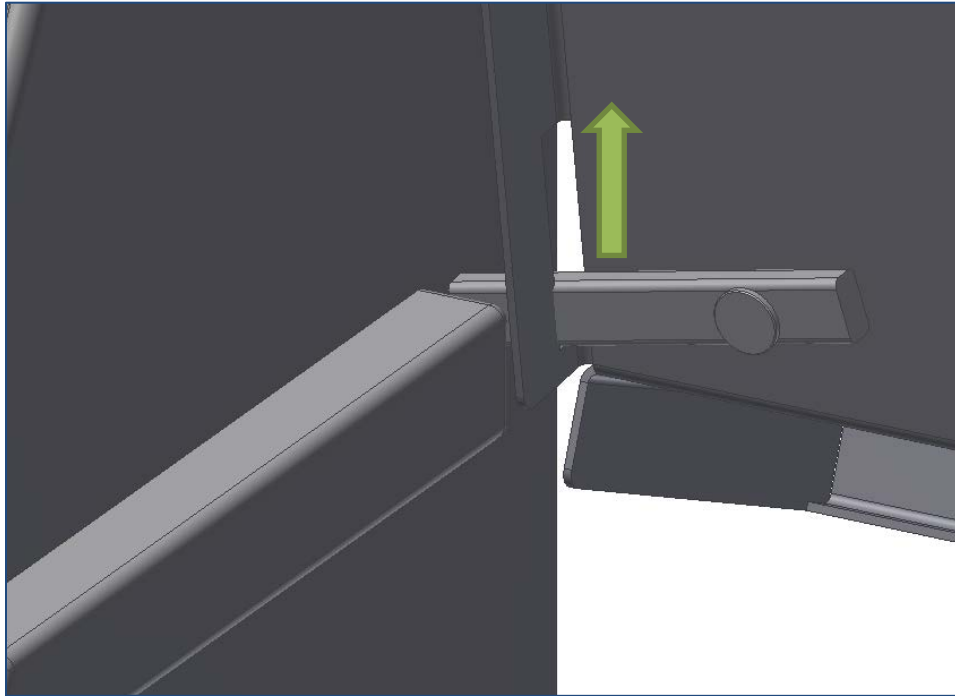
2. Looking at the baffle assembly from the front of the bin, locate the spring latches underneath the top lip.



3. Slide and hold the spring latches inward.



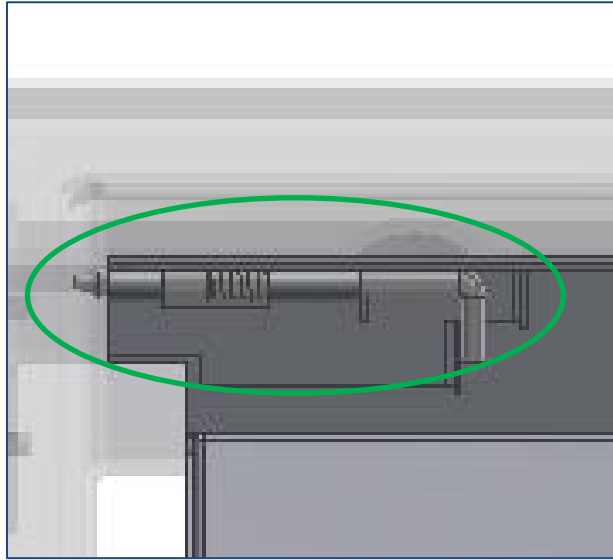
4. With the spring latches held inward, rotate the baffle assembly forward.



5. Once rotated forward, lift the assembly up and over the pivot arm catches.

6. Gently slide the assembly out through the snout.

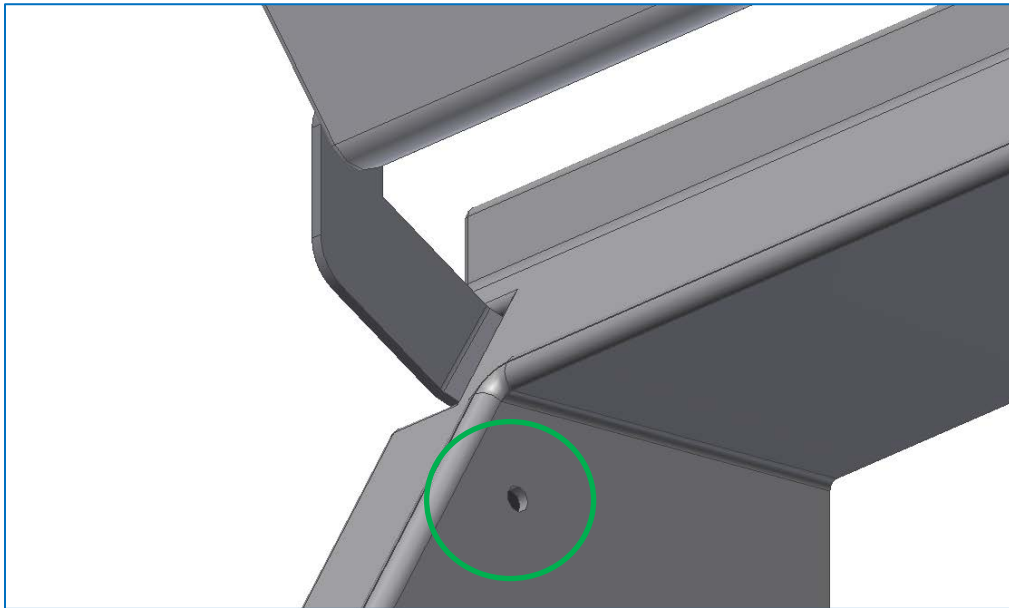
## Baffle Installation Instructions



1. Locate the spring latches underneath the top lip of the baffle assembly.

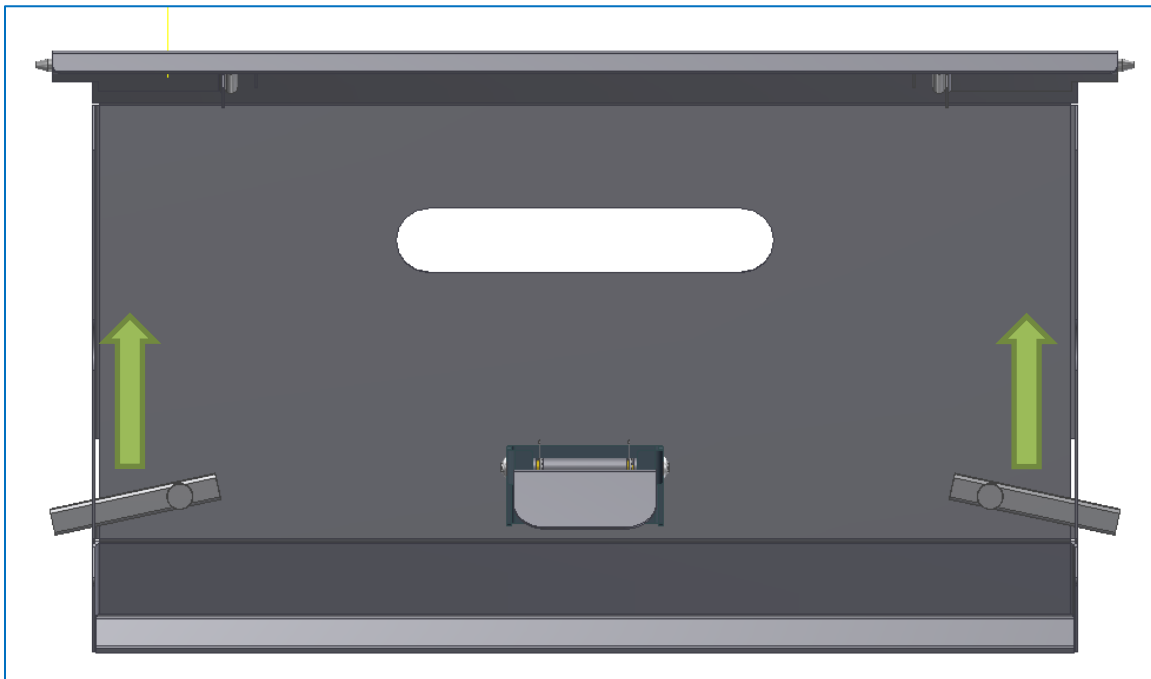


2. Slide and hold the spring latches inward.

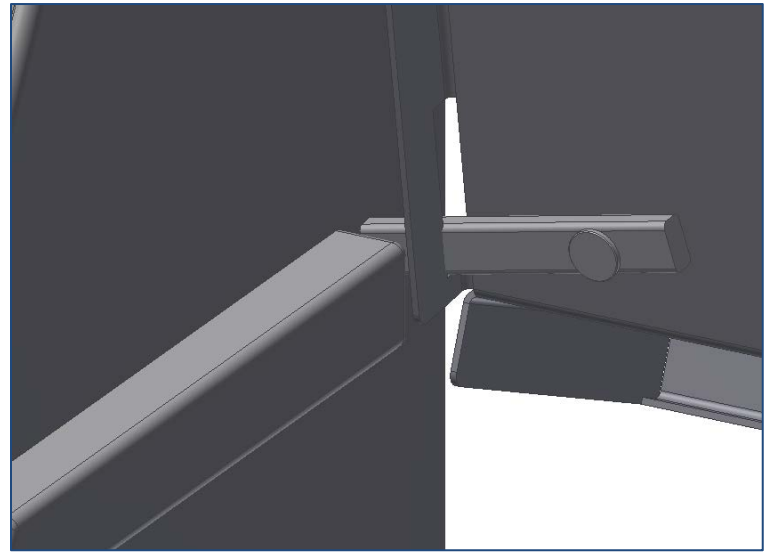
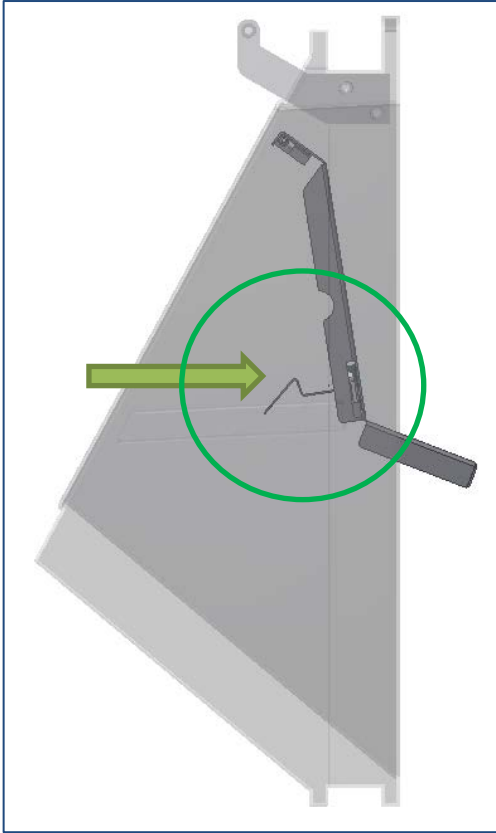


3. Locate the spring latch mounting holes inside the snout walls.

4. Locate the baffle assembly and release the spring latches into the mounting holes.



5. Lift both of the pivot arms up.



6. Slide the assembly back until it's past the pivot arm catch, then release the pivot arms to lock it in place.