

CME1202R & CME1402R SERVICE PARTS

This parts lists shows the service parts for the CME1202R & CME1402R Remote.

Check the model number of the machine to be certain of obtaining the correct part.

Note: Units have been manufactured in various electrical configurations, including single phase, three phase and 50 Hz.

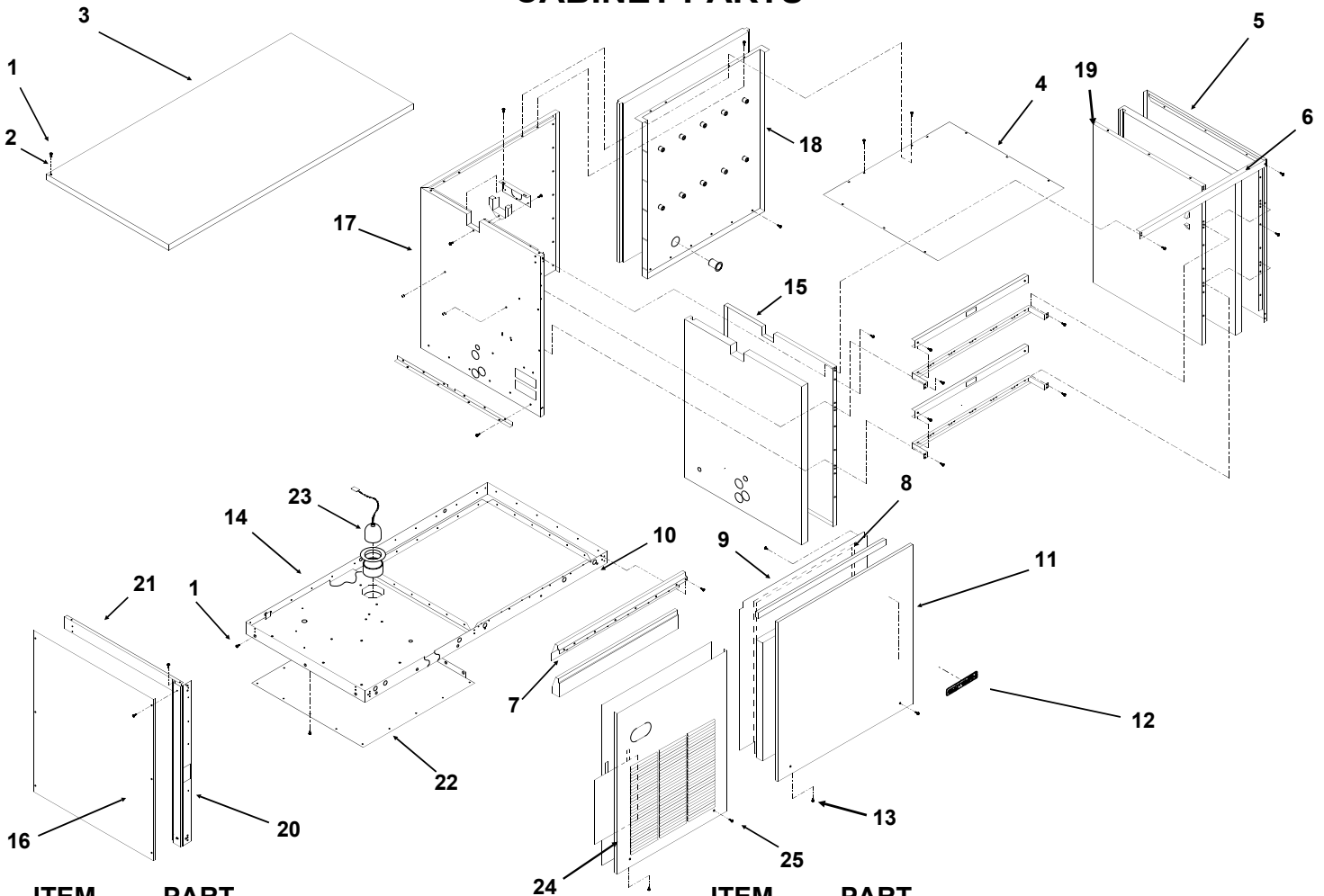
Included at the back of the parts list are the wiring diagrams.

Table of Contents

Cabinet	Page 2
Refrigeration System	Page 3
Water System	Page 4
Control Box	Page 5
Remote Condenser	Page 6
BH900 Bin	Page 7
Wiring Diagrams	Page 8

CME1202R & CME1402R SERVICE PARTS

CABINET PARTS



ITEM NUMBER	PART NUMBER	DESCRIPTION	ITEM NUMBER	PART NUMBER	DESCRIPTION
1	03-1531-01	Screws	13	03-1678-04	Thumb screw
2	03-1417-27	Washers		03-1678-03	Screw retainer
3	A35074-001	Panel top (sandalwood)	14	A35110-001	Base assembly
	A35074-015	Top panel, gray	15	02-2533-01	Liner, left side
	A35074-002	Panel top (stainless)	16	A35075-001	Left side panel, sandalwood
4	A33364-001	Liner top		A35075-015	Left side panel, gray
5	A29164-003	Right panel (sandalwood)		A35075-002	Left side panel, stainless
	A29164-015	Right side panel, gray	17	no number	Retainer
	A29164-002	Right panel (stainless)	18	02-2531-01	Liner back
6	A30330-001	Brace front	19	02-2534-01	Right side liner
7	02-2532-01	Liner cap	20	A35069-001	Corner post
8	13-0595-00	Gasket (order per foot)	21	A35066-001	Brace
9	02-2795-01	Liner, front panel	22	02-3151-01	Plastic cover
10	03-1678-01	Speed clip	23	A34908-021	Transducer
11	A35401-022	Right front panel, stainless	24	A35400-001	Left frnt pnl, sandalwood
	A35401-021	Right front panel, sandalwood		A35400-015	Left front panel, gray
	A35401-024	Right front panel, gray		A35400-002	Left frnt pnl, stainless
	Front panels include insulation and liner.		25	03-1678-02	Panel screw
	02-3252-01	Plastic bumper		03-1678-03	Screw retainer
12	15-0711-01	Emblem for sandalwood		02-3252-01	Plastic bumper
	15-0808-03	Grey emblem for SS or gray	26	A36206-001	Back panel (not shown)

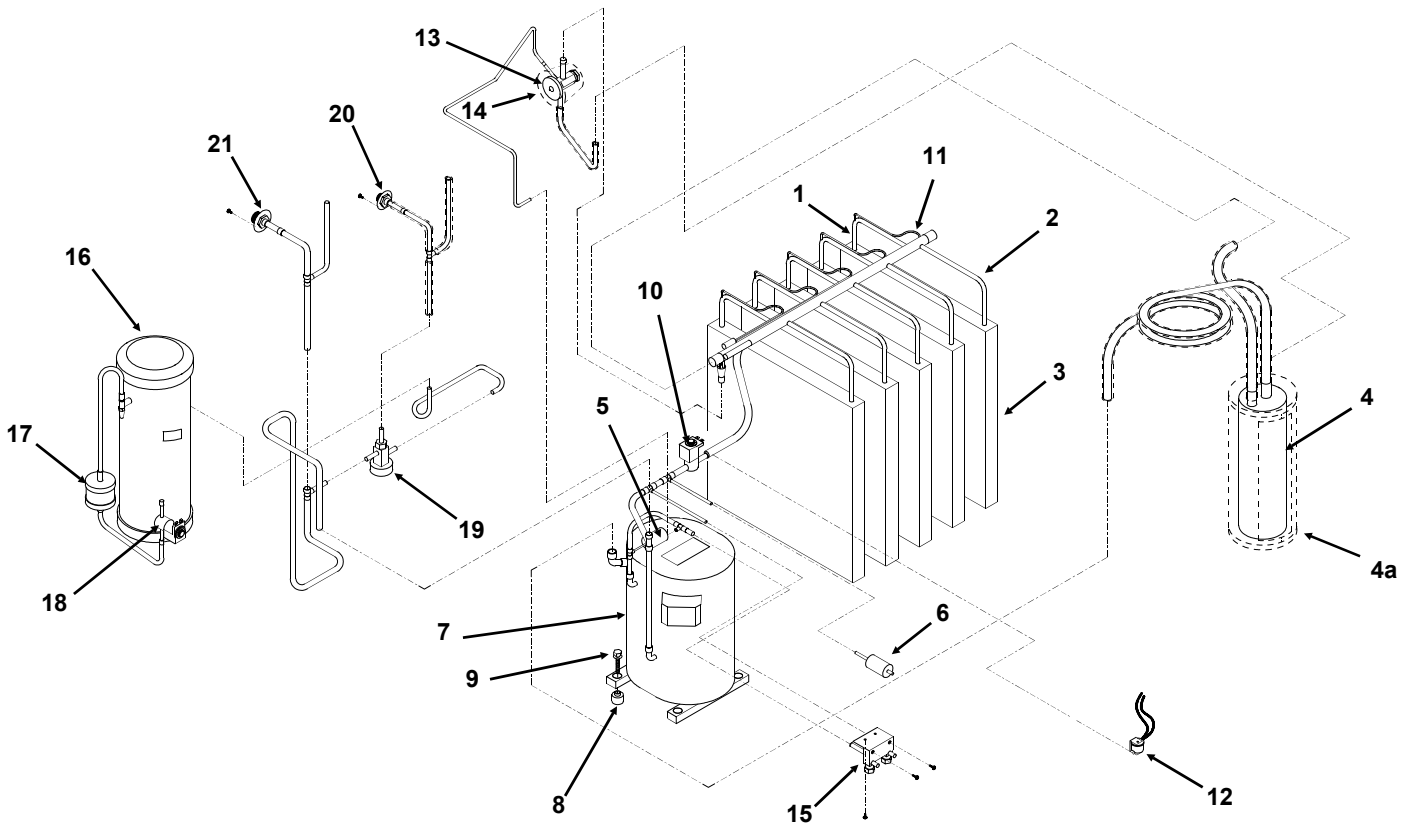
CME1202R & CME1402R SERVICE PARTS

REFRIGERATION SYSTEM

ITEM NUMBER	PART NUMBER	DESCRIPTION	ITEM NUMBER	PART NUMBER	DESCRIPTION
1	16-0888-01	Defrost manifold assembly	9	03-1405-20	Screw
2	16-0887-01	Evaporator suction assembly		03-1407-07	Washer
3	A30296-020	Evaporator plate		18-2200-27	Sleeve
4	16-0883-20	Accumulator	10	11-0494-21	Hot gas valve
4a	no number	1/2" armaflex insulation	11	16-0885-01	Distributor and tubes
5	11-0484-21	Pump down press. sw.	12	12-2300-07	Hi temp cut out
6	11-0485-22	Hi press cut out,	13	16-0882-21	TXV
7		Compressors*	14	02-3396-01	Insulation
18-8750-22	CME1202	60 Hz, single phase	15	16-0832-20	Access valve
18-8750-24	CME1202	60 Hz, 3 phase		16-0832-02	Stem cap
18-8751-23	CME1402	60 Hz, single phase		16-0832-03	Core or port cap
18-8751-25	CME1402	60 Hz, 3 phase	16	16-0884-01	Receiver
18-8750-27	CME1202	50 Hz, single phase	17	02-3319-02	Dryer
			18	11-0491-21	Liquid line valve
			19	11-0422-24	Head press. control valve
			20	16-0850-03	Liquid line quick connect
			21	16-0850-01	Discharge line quick con.

* Replacement compressors include a crankcase heater and dryer.

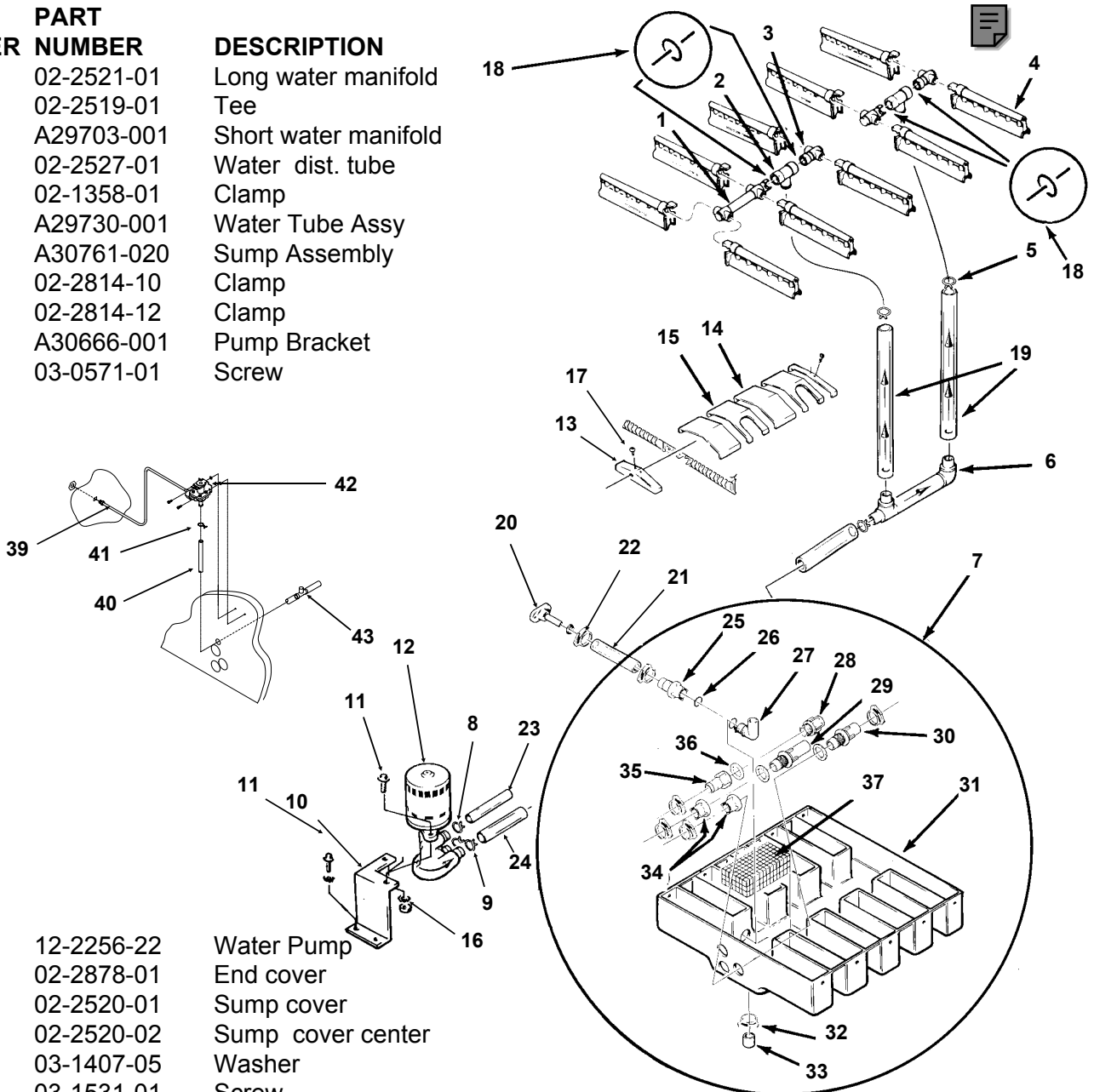
18-2308-01 Crankcase heater
8 18-2200-28 Grommet



CME1202R & CME1402R SERVICE PARTS

WATER SYSTEM

ITEM NUMBER	PART NUMBER	DESCRIPTION
1	02-2521-01	Long water manifold
2	02-2519-01	Tee
3	A29703-001	Short water manifold
4	02-2527-01	Water dist. tube
5	02-1358-01	Clamp
6	A29730-001	Water Tube Assy
7	A30761-020	Sump Assembly
8	02-2814-10	Clamp
9	02-2814-12	Clamp
10	A30666-001	Pump Bracket
11	03-0571-01	Screw

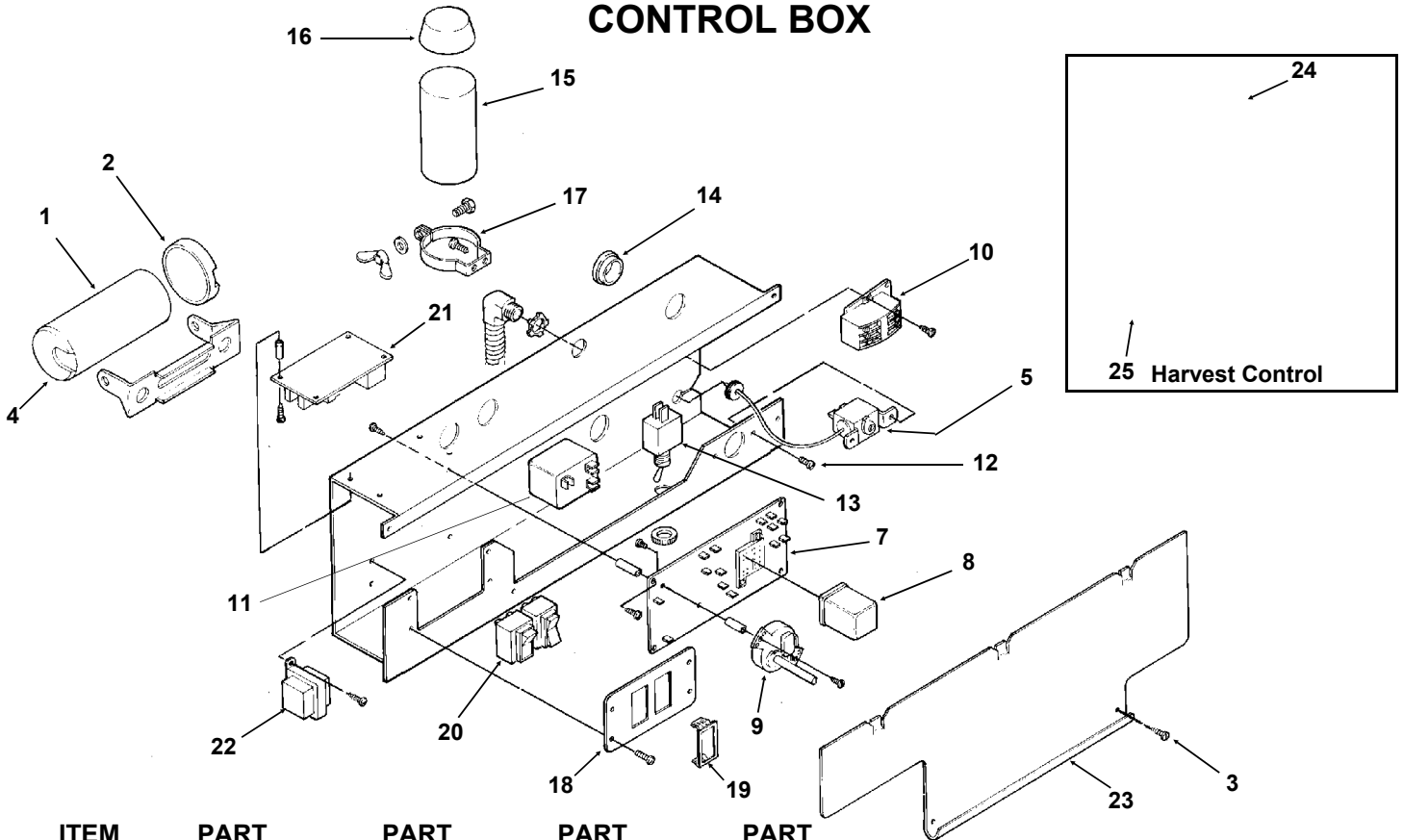


12	12-2256-22	Water Pump
13	02-2878-01	End cover
14	02-2520-01	Sump cover
15	02-2520-02	Sump cover center
16	03-1407-05	Washer
17	03-1531-01	Screw
18	13-0617-48	O-ring
19	13-0674-07	Hose (18.5")
20	A31757-002	Drain
21	13-0674-07	Tube, drain (7")
22	02-1358-01	Hose clamp
23	13-0674-07	Tube, need 6.25"
24	13-0674-08	Tube, need 6.6"
25	02-2606-01	Female tube
26	13-0617-02	O-ring
27	02-2125-01	Elbow
28	02-2080-01	Overflow
29	02-2792-01	Pick Up tube

30	02-2793-01	Inlet tube
31	no number	sump pan (see item 7)
32	02-1530-01	Clamp
33	13-0796-01	Rubber cap
34	02-2791-01	Water inlet nut
35	02-2606-01	Female tube
36	13-0617-02	O-ring
37	A30760-001	Screen
39	A35119-001	Water inlet assy
40	13-0674-03	Tygon tube, 25" req.
41	02-2814-05	Hose clamp
42	12-2446-26	Inlet water valve
43	16-0670-02	Tee

CME1202R & CME1402R SERVICE PARTS

CONTROL BOX

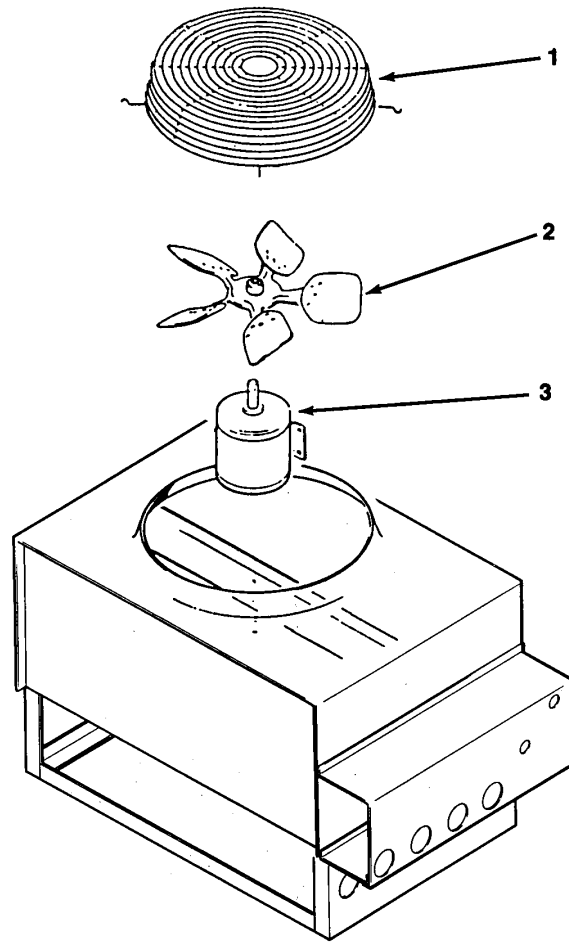


ITEM NUMBER	PART NUMBER	PART NUMBER	PART NUMBER	PART NUMBER	DESCRIPTION
	3 phase	single phase	single phase	single phase	
		1202 60 Hz	1402	1202 50 Hz	
1	-	18-1901-48	18-1901-27	same	Start Capacitor
2	-	A35328-001	same	same	Start Cap. Cap
3	-	03-1638-03	same	same	Screw
4	-	18-2200-39	same	same	Start cap. bracket
5	11-0351-22	same	same	same	Cube Size Control
6	02-2242-02	same	same	same	Stand off
7	12-1912-01	same	same	same	Circuit board
8	12-1879-03	same	same	same	Relay
9	12-2628-22	same	same	12-2628-26	Timer & Switch
10	12-0739-02	12-2469-02	same	same	Contactors
11	-	18-1903-46	same	same	Potential Relay
12	03-1403-17	same	same	same	Screw
13	12-0426-01	same	same	same	Comp. Switch
14	-	12-1213-12	same	same	Snap busing
15	-	18-1902-55	18-1902-56	18-1902-57	Run capacitor
16	-	13-0666-00	same	same	Terminal cover
17	-	A32872-001	same	same	Run Cap Bracket
18	02-3173-01	same	same	same	Switch plate
19	12-2414-01	same	same	same	Wash- Off - Ice switch
20	12-2411-01	same	same	same	Bin ice level switch
	12-2402-01	same	same	same	Wire harness, bin level switch to board
21	12-2376-21	same	same	same	Ice level control circuit board
22	12-2285-22	same	same	same	Transformer
23	A35082-001	same	same	same	Control box cover
*24	11-0521-21	same	same	same	Cross amb, harvest thermostat, w/hardware
*25	12-2070-04	same	same	same	Relay for harvest thermostat

* Use began with May 1997 production (-11N)

CME1202R & CME1402R SERVICE PARTS

REMOTE CONDENSER



RCE1401-32

ITEM NUMBER	PART NUMBER	DESCRIPTION
1	02-2618-01	Fan guard
2	18-6304-01	Fan blade
3	18-5301-01	Fan motor

Not Shown:

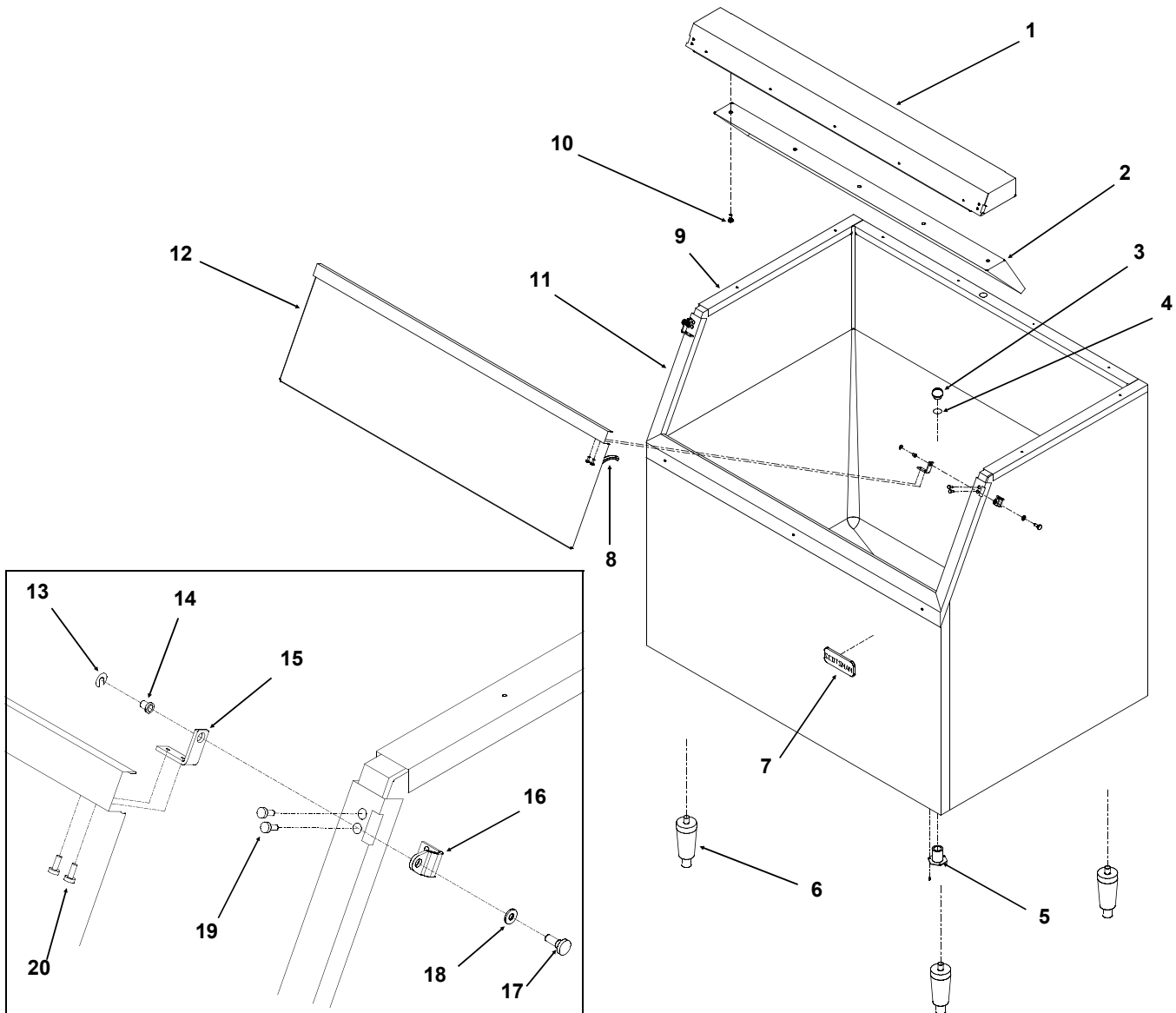
4	16-0701-06	Quick connect, liquid
5	16-0850-01	Quick connect, discharge
6	16-1057-01	Quick connect, pre-charged 3/8" line
7	16-1057-02	Quick connect, pre-charged 1/2" line

ERC401

1	02-3575-01	Fan guard
2	18-8800-01	Fan blade
3	18-8796-32	Fan motor

CME1202R & CME1402R SERVICE PARTS

BH900 ICE STORAGE BIN



ITEM NUMBER	PARTS NUMBER	DESCRIPTION
1	A35322-020	Canopy Assembly
2	A35152-001	Ice Baffle
3	02-2809-01	Drain Top
4	13-0617-11	O-ring
5	02-3201-01	Drain casting
6	KLP2E KLP2S	Leg Kit, Black Leg Kit, Nickel Plated
7	15-0711-01	Emblem
8	13-0595-00	Door gasket(6.25' reg.)
9	19-0503-04	Bin gasket
10	03-0727-11	Baffle screw
11	A35275-001 A37641-021	Door frame assy. Door frame, BH900S-C
12	A35323-020	Door with gasket
13	03-1539-09	"E" ring
14	02-2380-01	Hinge bushing

ITEM NUMBER	PARTS NUMBER	DESCRIPTION
15	02-3195-01	Door hinge
16	02-3196-01	Bin hinge
17	02-2806-01	Shoulder screw
18	02-2380-02	Spacer
19	03-1403-29	Screw 10-24
20	03-1403-24	Screw 10-24
21	A35280-001	Left bin channel
21a	A35311-001	Back bin channel
21b	A35279-001	Right bin channel
22	02-0540-00	Scoop

Note: There were a few BH900CE/CS type bins that used a different door, gasket, hinge & pin:

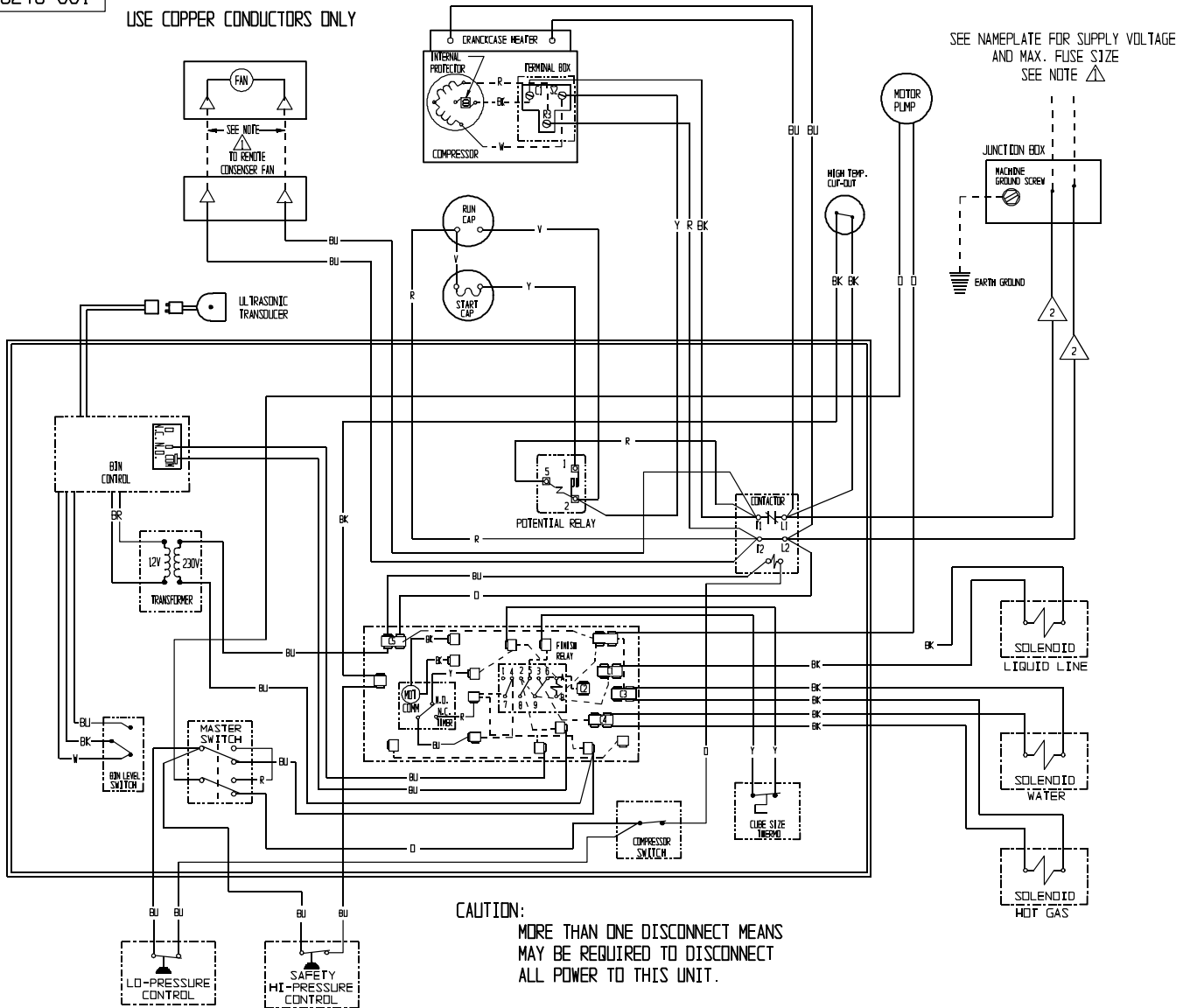
12	02-3222-01	Door
	13-0595-01	Gasket
	02-3225-01	Hinge kit
	02-3226-01	Pivot pin set

CME1202R & CME1402R SERVICE PARTS

Single Phase Wiring Diagram

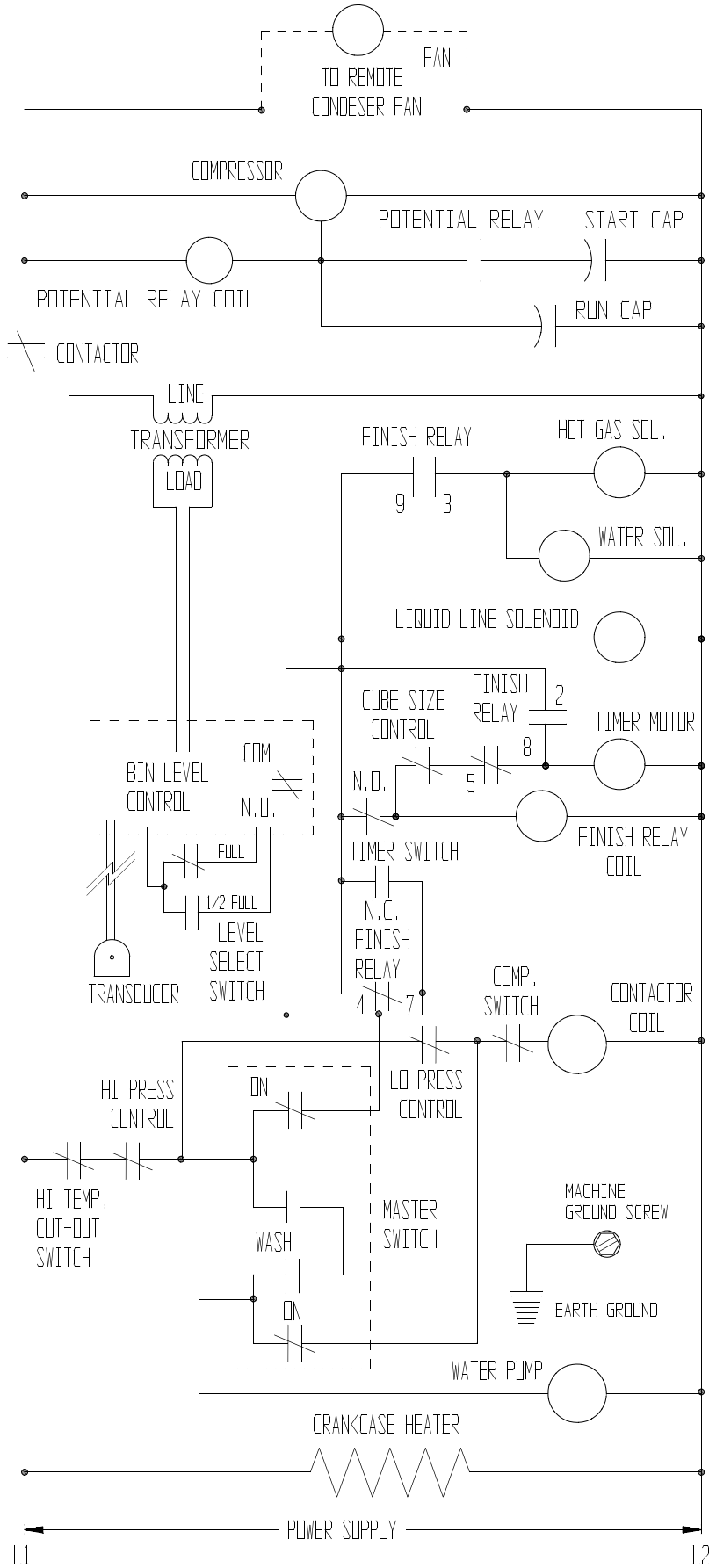
A36248-001

THIS UNIT MUST BE GROUNDED
USE COPPER CONDUCTORS ONLY



CME1202R & CME1402R SERVICE PARTS

Single Phase Schematic Diagram

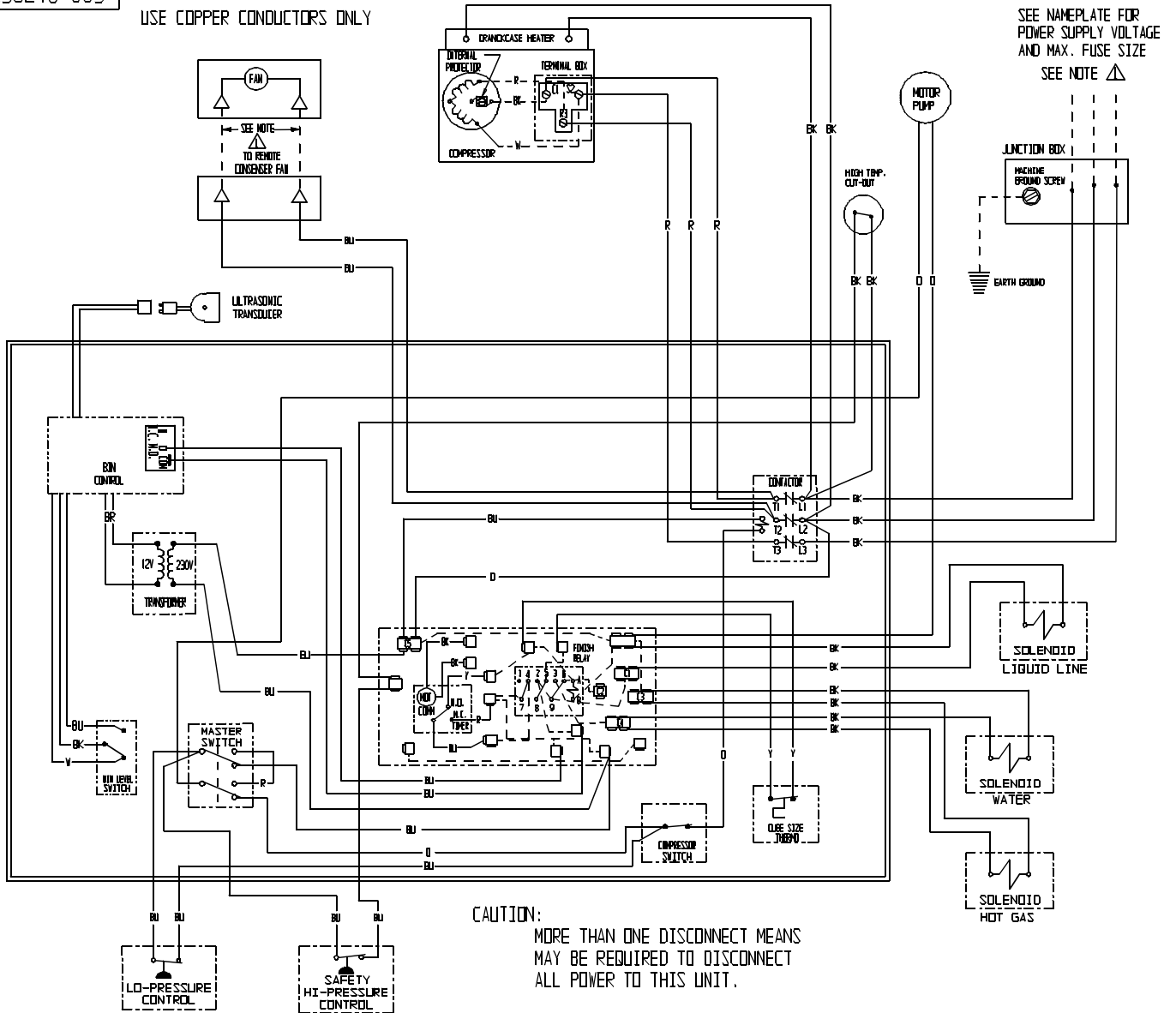


CME1202R & CME1402R SERVICE PARTS

3 Phase Wiring Diagram

A36248-003

THIS UNIT MUST BE GROUNDED
USE COPPER CONDUCTORS ONLY

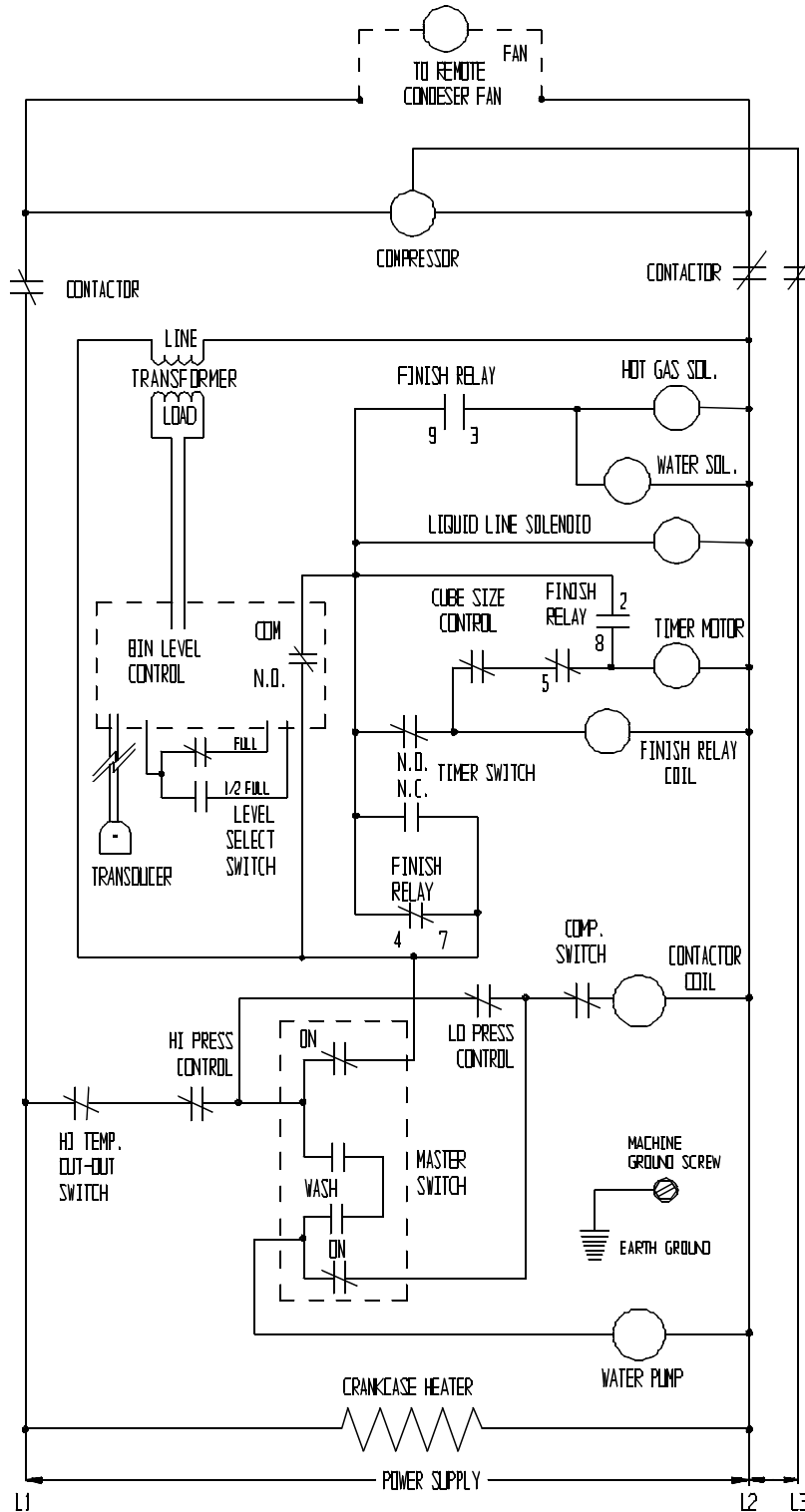


CME1202R & CME1402R SERVICE PARTS

3 Phase Schematic Diagram

NOTE:

△ DASHED LINES INDICATE FIELD WIRING WHICH MUST BE INSTALLED IN ACCORDANCE WITH THE NATIONAL ELECTRICAL CODE AND ALL STATE AND LOCAL CODES.



THIS UNIT SHOWN IN THE TIMED PORTION
OF THE FREEZING CYCLE

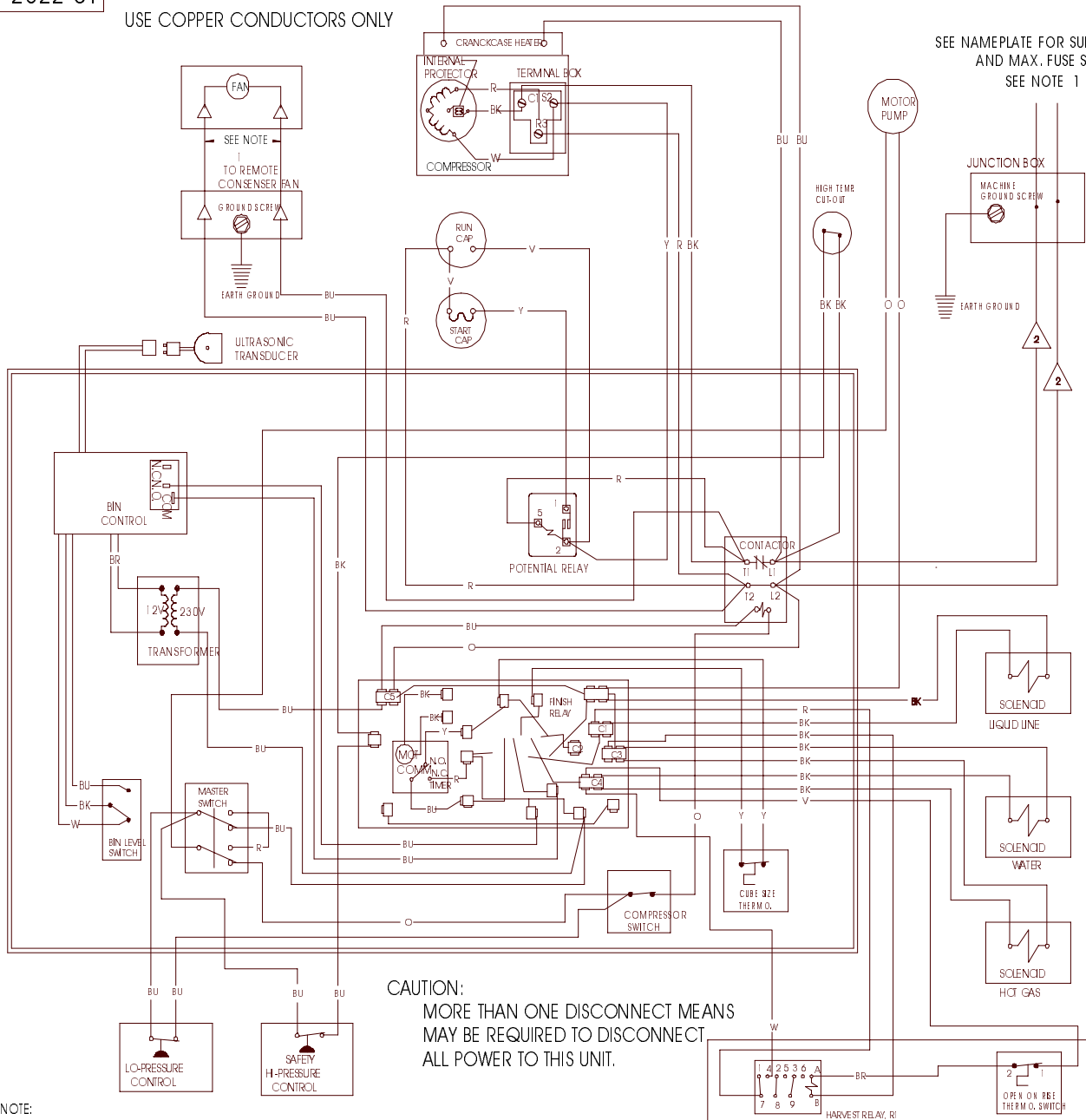
CME1202R & CME1402R SERVICE PARTS

Single phase Wiring Diagram May 1997 production and later

17-2522-01

THIS UNIT MUST BE GROUNDED
USE COPPER CONDUCTORS ONLY

SEE NAMEPLATE FOR SUPPLY VOLTAGE
AND MAX. FUSE SIZE
SEE NOTE 1



CAUTION:
MORE THAN ONE DISCONNECT MEANS
MAY BE REQUIRED TO DISCONNECT
ALL POWER TO THIS UNIT.

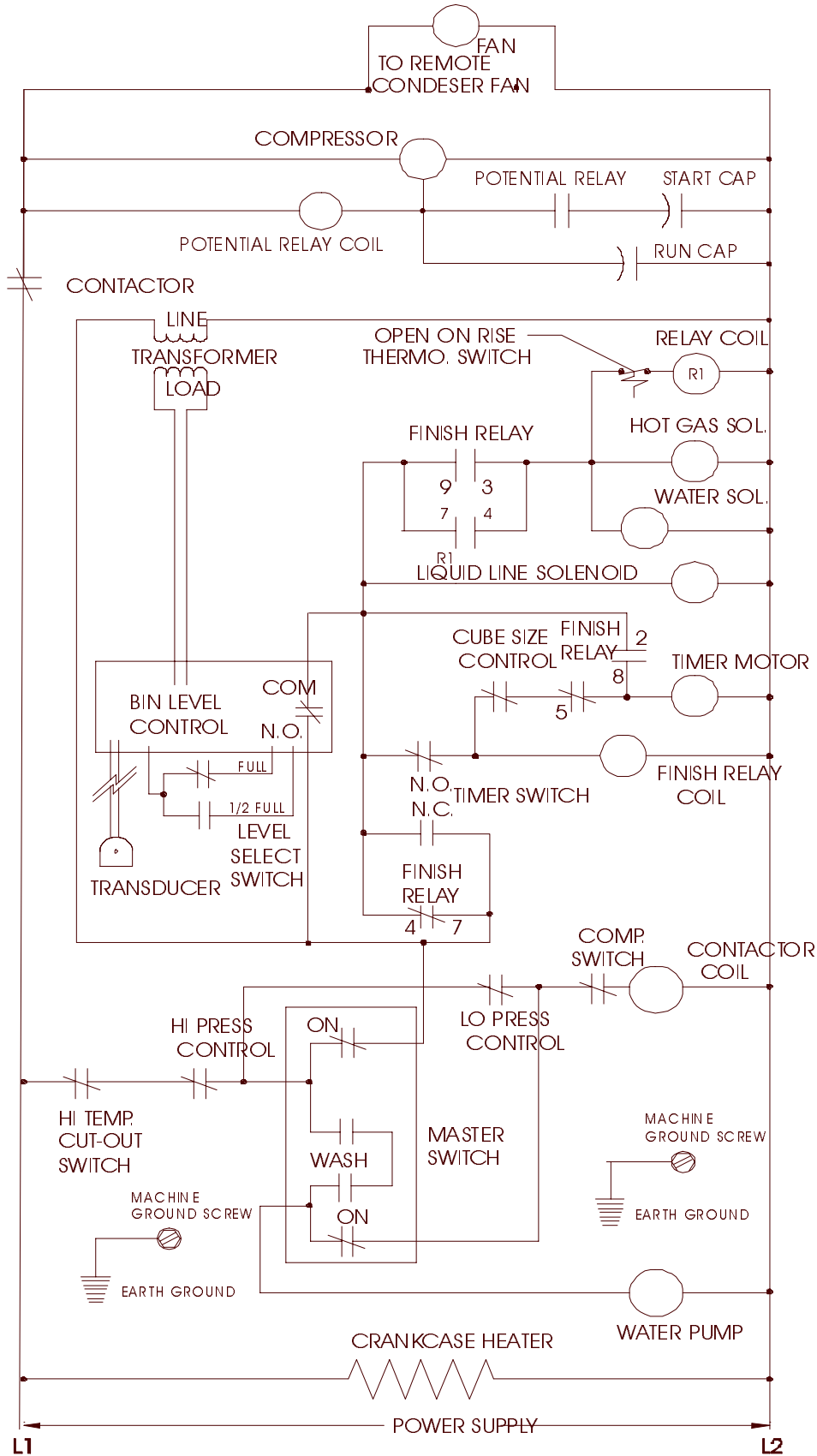
NOTE:

1 DASHED LINES INDICATE FIELD WIRING WHICH MUST BE
INSTALLED IN ACCORDANCE WITH THE NATIONAL ELECTRICAL
CODE AND ALL STATE AND LOCAL CODES.

2 WIRE COLOR FOR -32A [60 Hz] UNITS: BLACK
WIRE COLOR FOR -6A [50 Hz] UNITS : BROWN

CME1202R & CME1402R SERVICE PARTS

Single phase Schematic Diagram May 1997 production and later



THIS UNIT SHOWN IN THE TIMED PORTION
OF THE FREEZING CYCLE

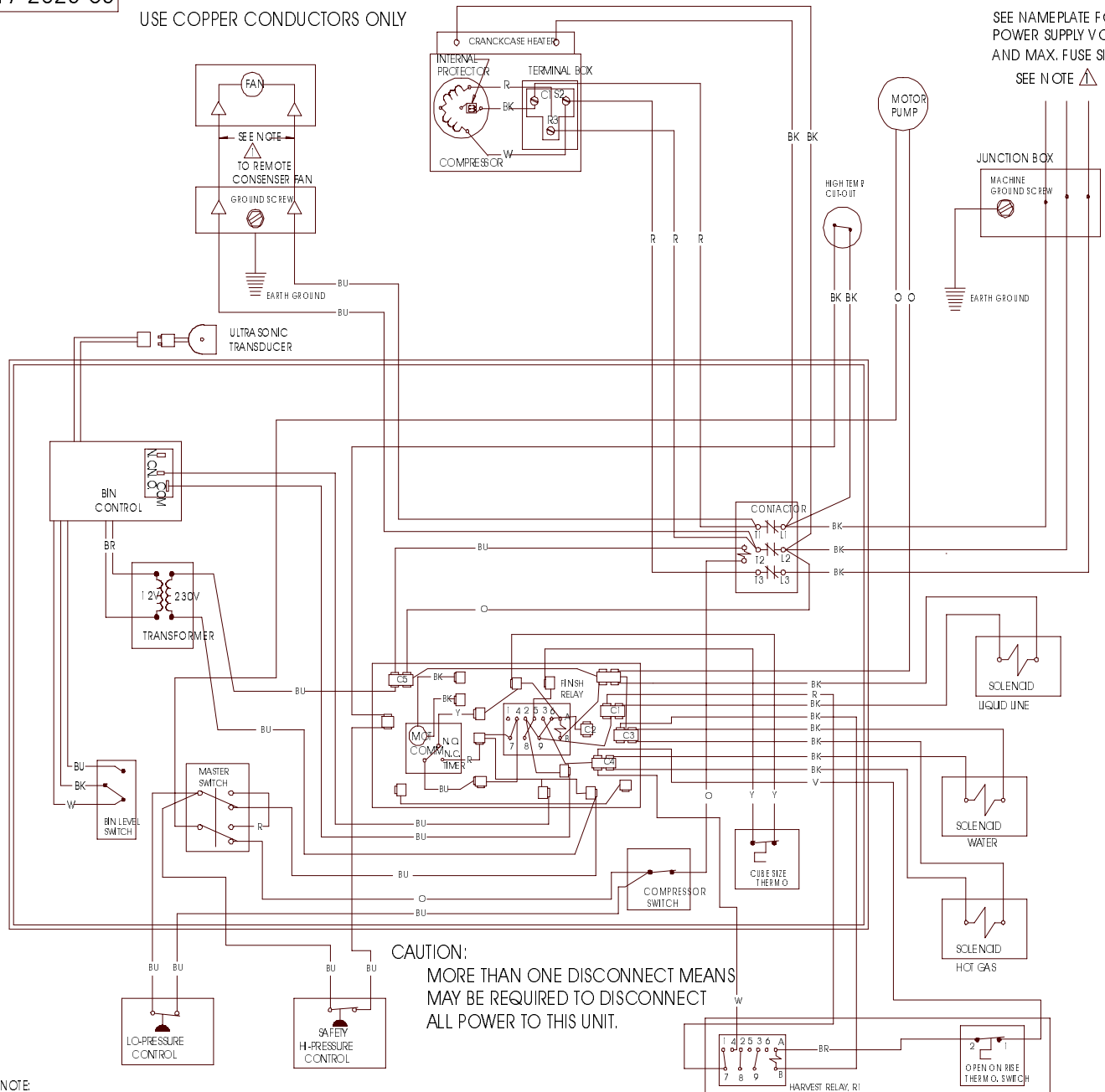
CME1202R & CME1402R SERVICE PARTS

3 phase Wiring Diagram May 1997 production and later

17-2523-03

THIS UNIT MUST BE GROUNDED
USE COPPER CONDUCTORS ONLY

SEE NAMEPLATE FOR
POWER SUPPLY VOLTAGE
AND MAX. FUSE SIZE
SEE NOTE Δ

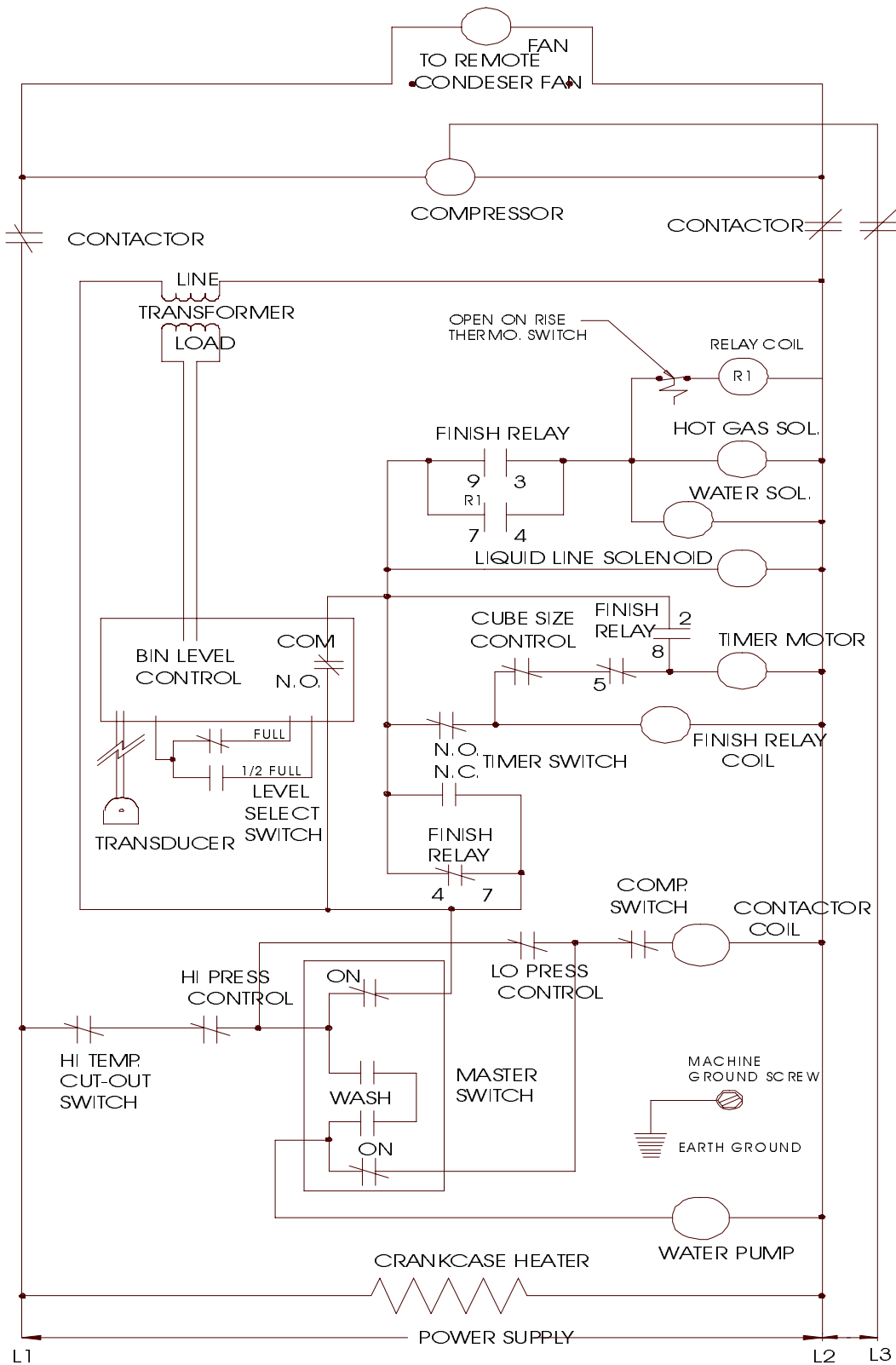


CAUTION:
MORE THAN ONE DISCONNECT MEANS
MAY BE REQUIRED TO DISCONNECT
ALL POWER TO THIS UNIT.

NOTE:
1 DASHED LINES INDICATE FIELD WIRING WHICH MUST BE
INSTALLED IN ACCORDANCE WITH THE NATIONAL ELECTRICAL
CODE AND ALL STATE AND LOCAL CODES.

CME1202R & CME1402R SERVICE PARTS

3 phase Schematic Diagram May 1997 production and later



THIS UNIT SHOWN IN THE TIMED PORTION
OF THE FREEZING CYCLE

SERVICE BULLETIN

Subject: CME1202 and CME1402 control circuit enhancement.

Beginning with May 1997 production (-11N), a thermostat and relay will have been added to all versions of the above two models. The benefit of this enhancement is that it greatly reduces the impact of ambient temperature changes - machines with this circuit will automatically adjust the harvest cycle length as needed to release all ice.

The thermostat and relay form the working components of a new circuit that, under certain low temperature conditions, by-passes the timer during the harvest cycle. The the timer still operates as it has, except when the low temperature conditions are present.

There is a kit available to add this part to any prior CME1202, CME1402, CMS1202 or CMS1402. The part number is: **A37281-020**.

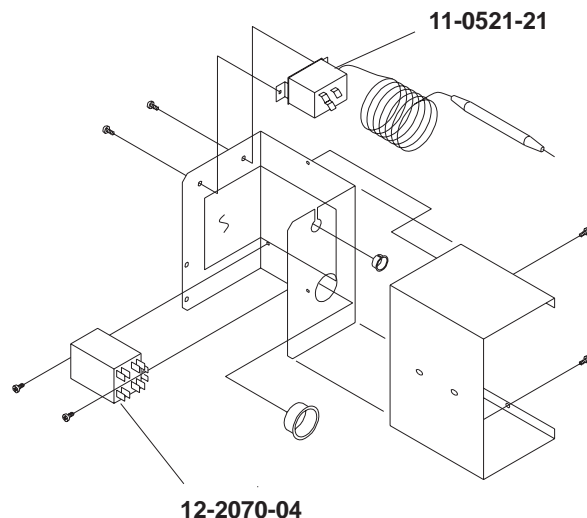
How it works (refer to schematic diagram on the back):

When the unit is harvesting under low temperatures, the thermostat, sensing the inlet tube of the accumulator, will be closed. This connects power to the relay coil, which then closes contacts 7-4, which parallel and by-pass the plug-in finish relay contacts 9-3. When this happens the timer motor will stop at the end of its normal harvest time but the machine continues to harvest until the suction line temperature warms up and the thermostat opens, cutting power to the relay coil and breaking the by-pass circuit. In effect, this means that the timer always determines the MINIMUM harvest time, and, when conditions are cold, the new control circuit determines the MAXIMUM harvest time, which will vary as needed.

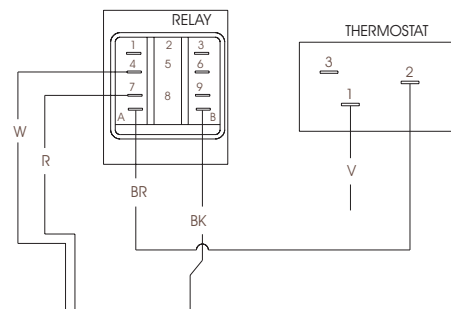
Under normal conditions the new circuit does not affect the machine at all.

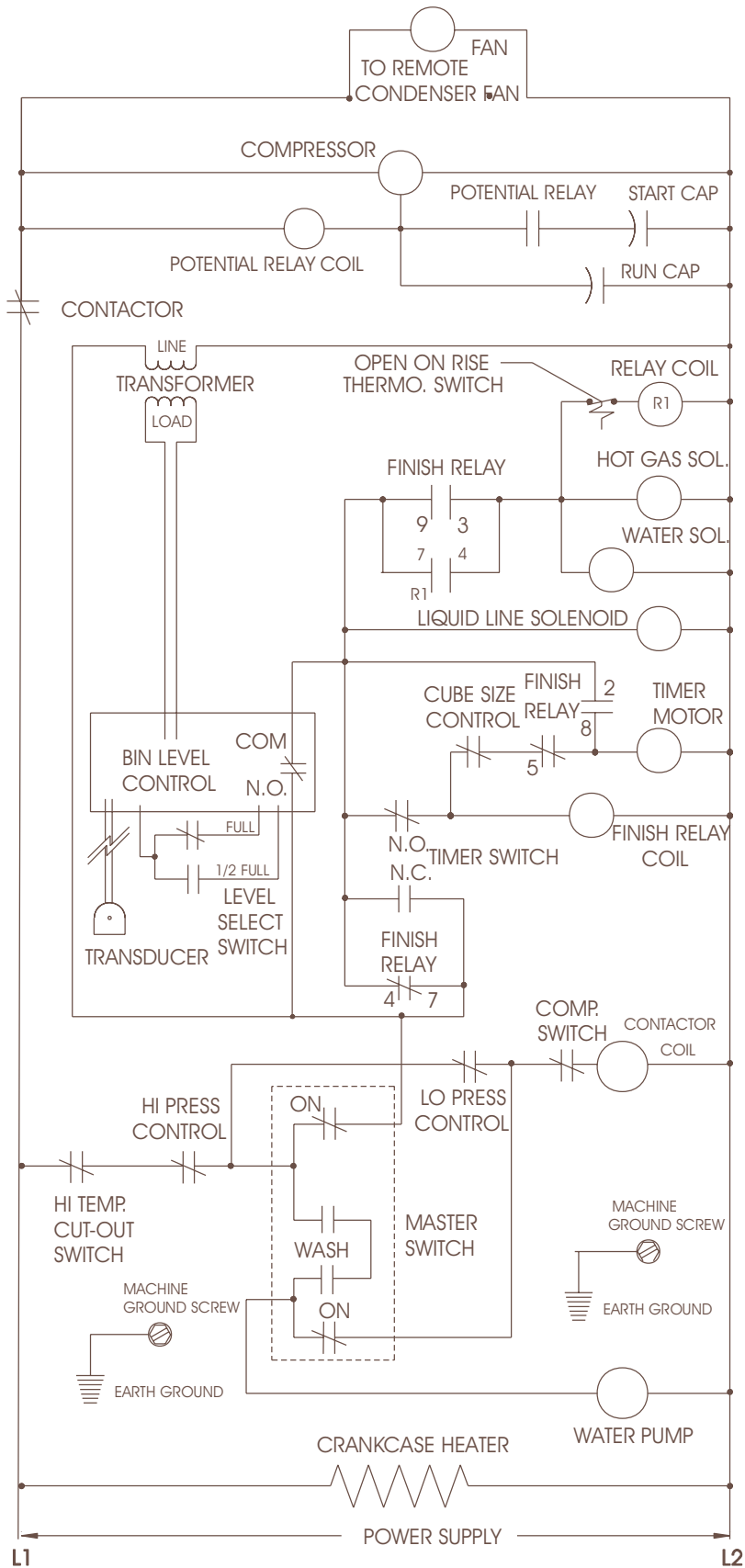
Two service parts are available: The thermostat, its part number is: 11-0521-21 and it includes the clamps and screws needed to attach it to the suction line. The relay part number is 12-2070-04.

A schematic diagram of a single phase remote is on the back of this bulletin. Three phase will be similar.



Kit Wiring Detail





THIS UNIT SHOWN IN THE TIMED PORTION OF THE FREEZING CYCLE