

CME650 SERVICE PARTS

This section contains the parts illustrations and parts lists for the CME650.

CM650 ice machines are manufactured in both 60 cycle and 50 cycle. When ordering electrical parts, be certain to match the voltage to the ice machine.

Example:

CME650AE-**32**A is a 60 cycle, single phase machine.

CME650AE-3A is a 60 cycle, 3 phase machine.

CME650AE-**6**A is a 50 cycle machine.

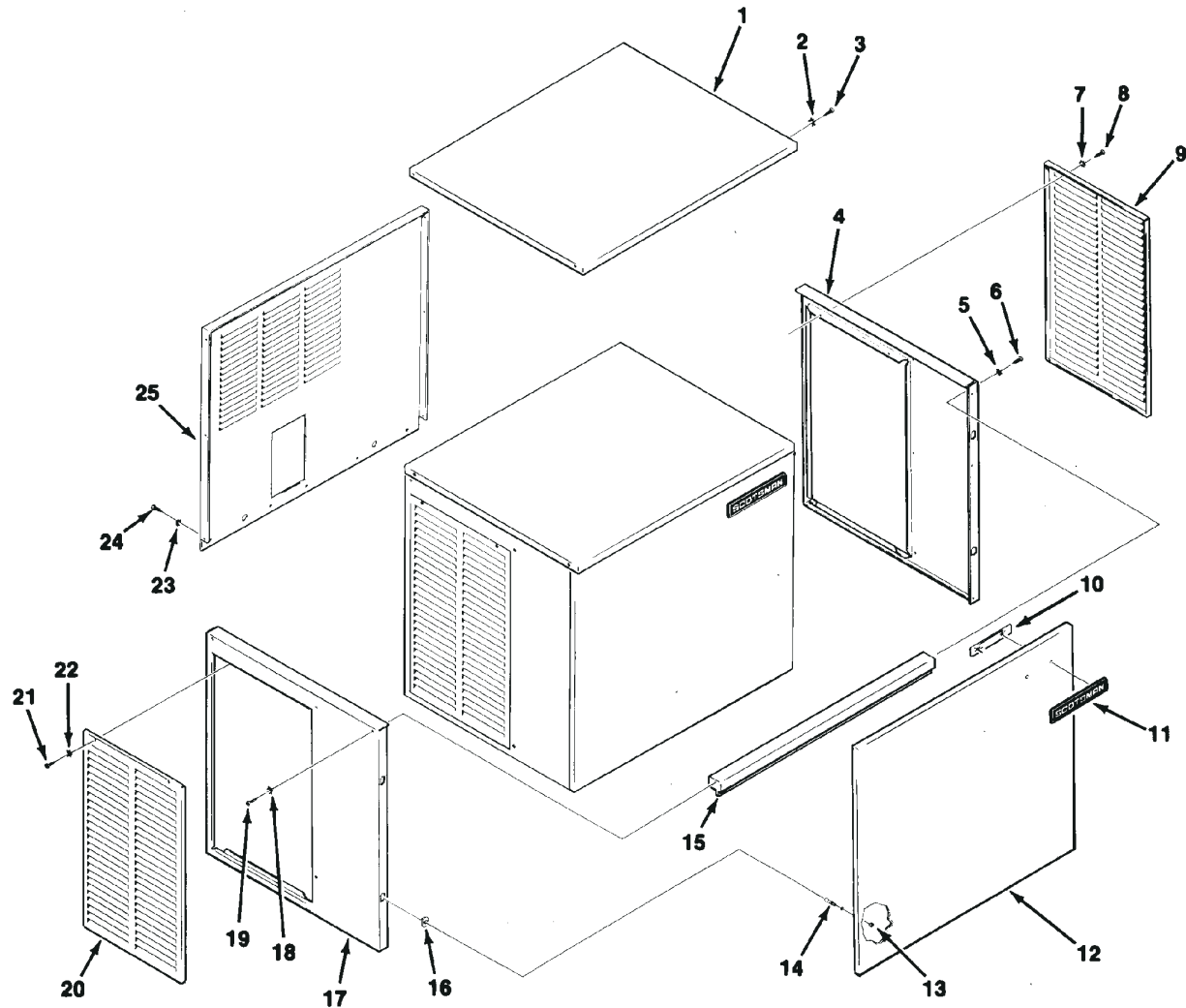
A "no number" designation, when found in the part number column, indicates the part in question is not available from Scotsman as an assembly. This designation is used only for clarity in making the list. When ordering parts, to avoid costly delays and errors, give the part number, the complete description as shown in the list, and the quantity of each part or assembly required.

TABLE OF CONTENTS

Exterior Panels	2
Interior Panels	3
Air Cooled Refrigeration	4
Water Cooled Refrigeration	5
Water System	6
Control Box	7
Wiring Diagrams	8

CME650 SERVICE PARTS

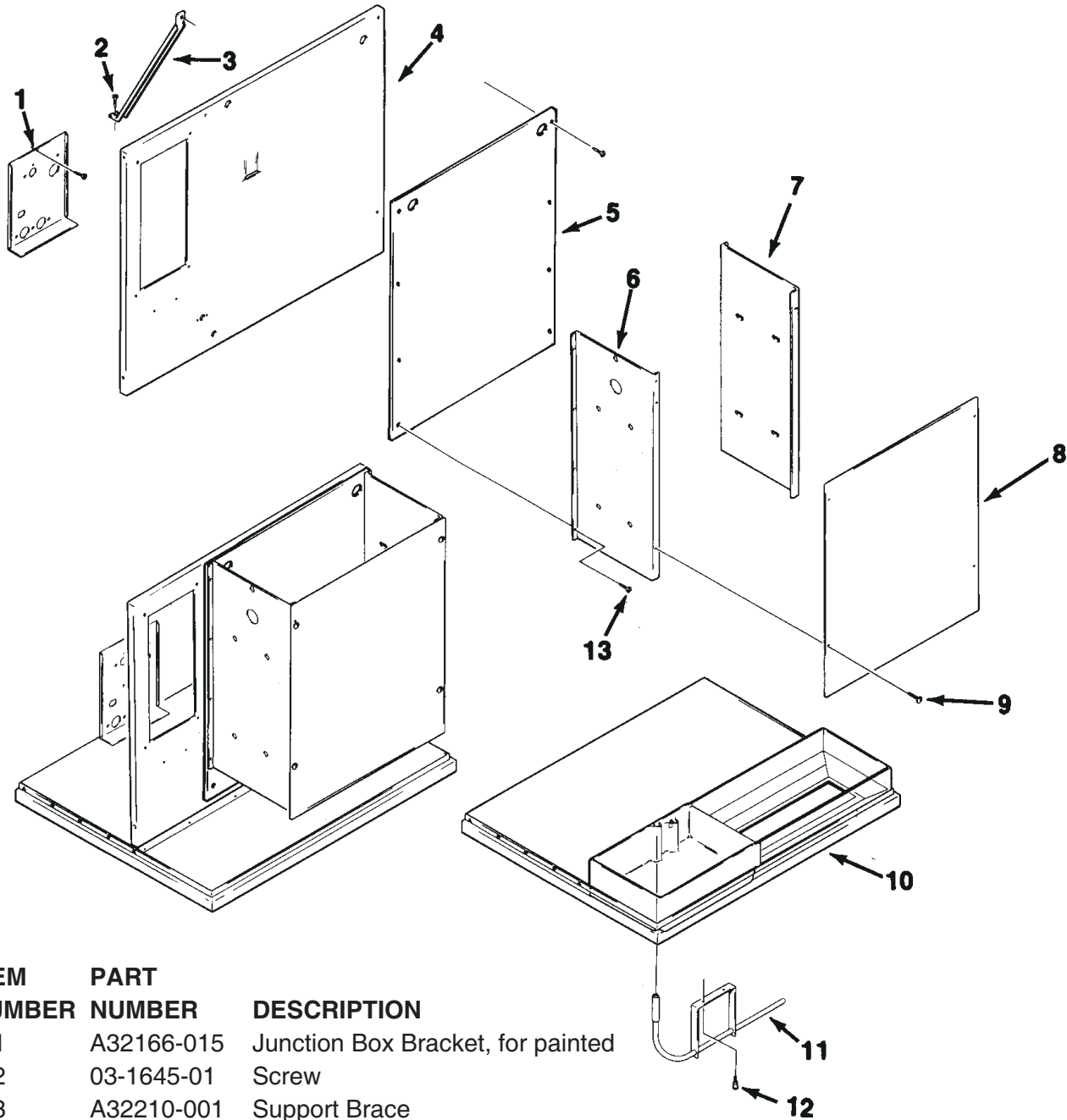
CABINET ASSEMBLY



ITEM NUMBER	PART NUMBER	DESCRIPTION	ITEM NUMBER	PART NUMBER	DESCRIPTION
1	A32159-001	Top Panel, Painted	13	03-1406-04	Nut
	A32159-002	Top Panel, S. S.	14	15-0411-00	Strike
2	03-1417-27	Lockwasher	15	A32169-001	Front Support
3	03-1531-01	Screw	16	02-0836-00	Cabinet Catch
4	A32162-001	Right End Panel, Paint	17	A32163-001	Left End Panel, Paint
	A32162-002	Right End Panel, S.S.		A32163-002	Left End Panel, S.S.
5	03-1417-27	Lockwasher	18	03-1417-27	Lockwasher
6	03-1531-01	Screw	19	03-1531-01	Screw
7	03-1417-27	Lockwasher	20	A32161-001	Service Panel, for painted
8	03-1404-12	Screw		A33946-032	Service Panel, gray
9	A32161-001	Service Panel, Painted	21	03-1404-12	Screw
	A33946-002	Service Panel, gray	22	03-1412-27	Lockwasher
10	03-0271-00	Speed Nut	23	03-1417-27	Lockwasher
11	15-0711-01	Emblem for painted	24	03-1531-01	Screw
	15-0808-01	Emblem for stainless steel	25	A32202-003	Back Panel, painted
12	A32160-001	Front Panel, Painted		A32202-002	Back panel, stainless steel
	A32160-002	Front Panel, S.S.			

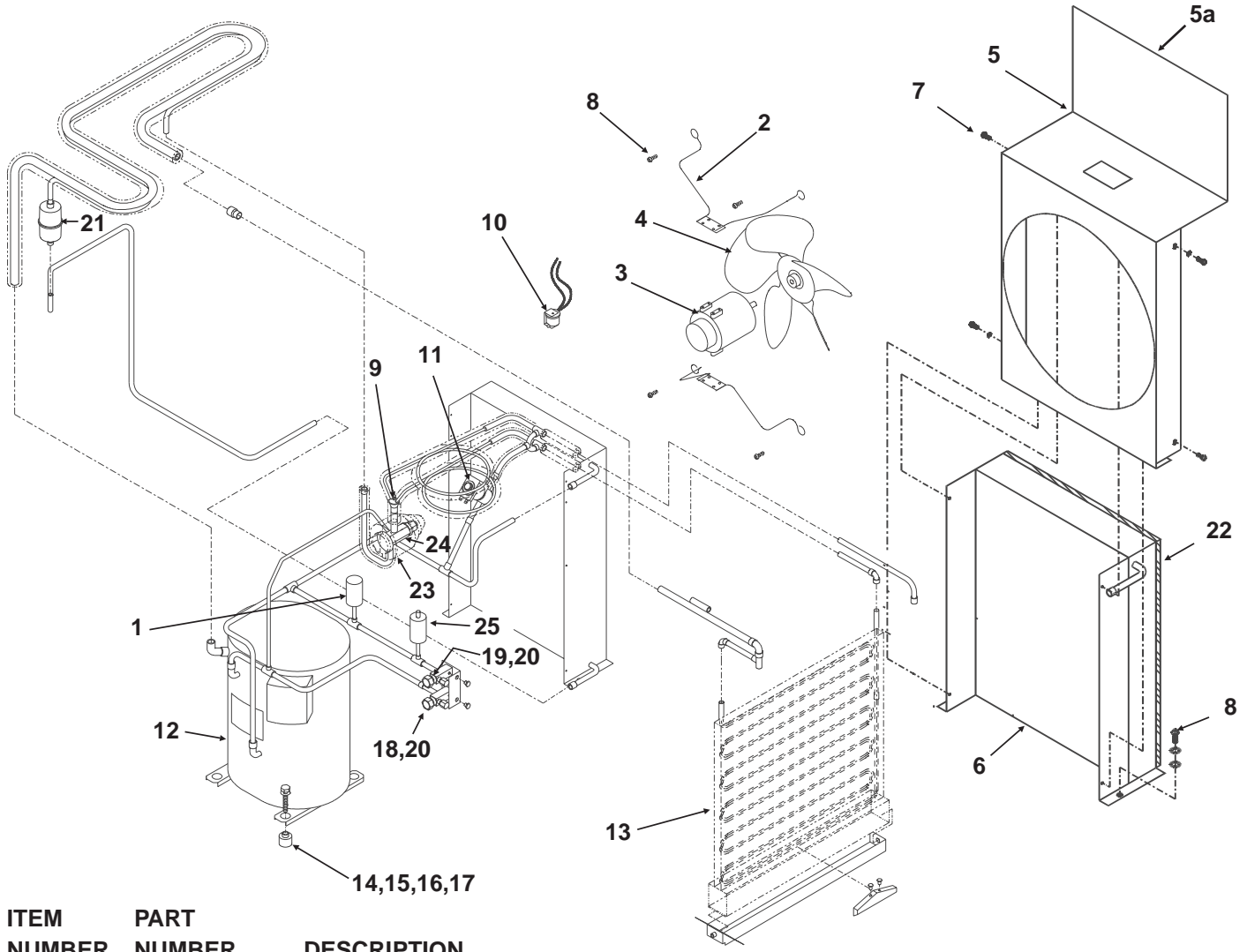
CME650 SERVICE PARTS

CABINET INTERIOR



ITEM NUMBER	PART NUMBER	DESCRIPTION
1	A32166-015	Junction Box Bracket, for painted
2	03-1645-01	Screw
3	A32210-001	Support Brace
4	A35666-001	Retainer
5	02-2867-01	Splash Panel
6	A35671-001	Evaporator Bracket, Left
7	A32172-001	Evaporator Bracket, Right
8	02-3246-01	Evaporator Plate Cover
9	03-0727-09	Thumbscrew
10	A32153-002	Base
11	A32262-001	Bin Thermostat Bracket
12	03-0727-09	Thumbscrew
13	03-1531-01	Screw

CME650 SERVICE PARTS AIR COOLED REFRIGERATION

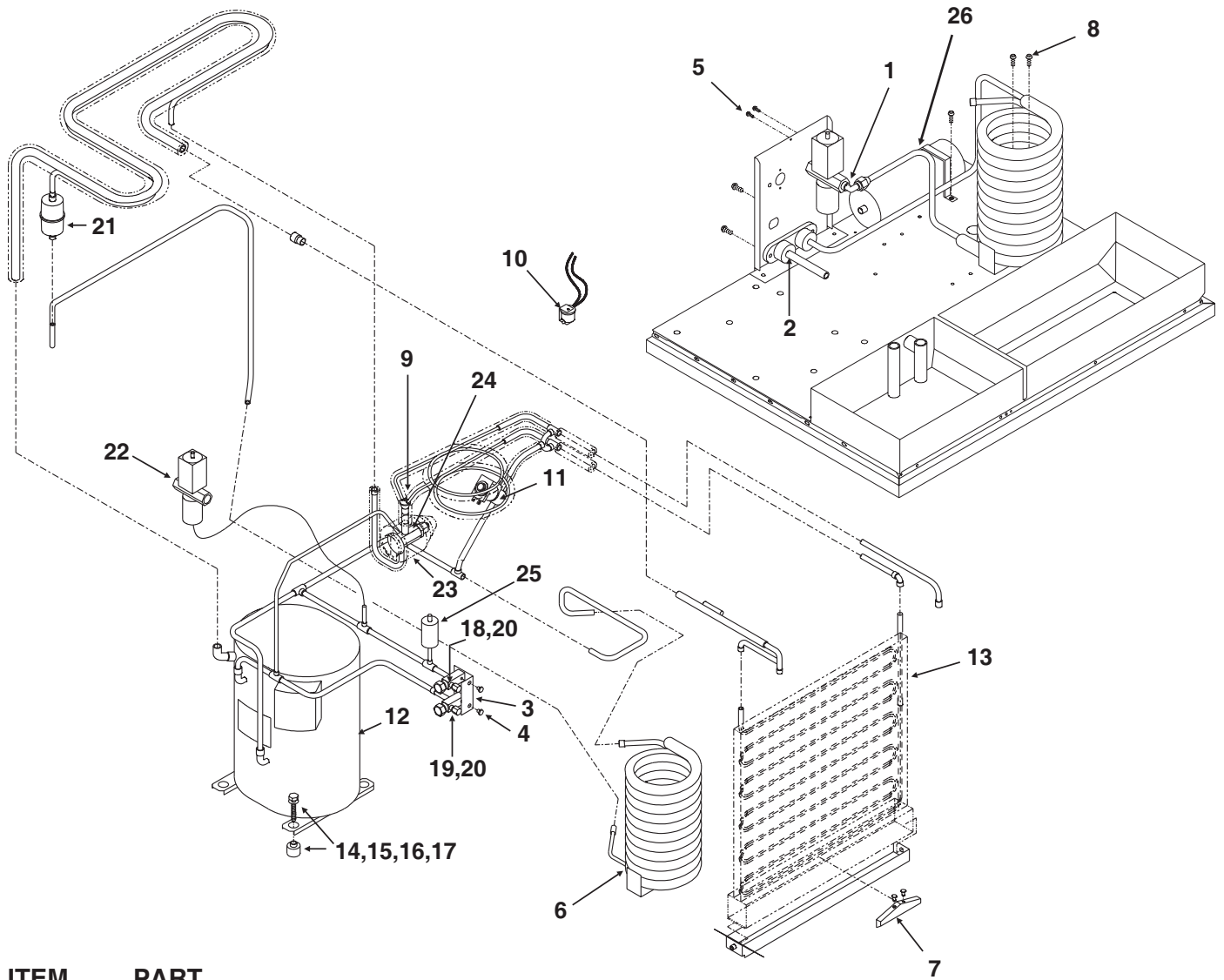


ITEM NUMBER	PART NUMBER	DESCRIPTION	ITEM NUMBER	PART NUMBER	DESCRIPTION
1	11-0479-21	Fan control	13	A30296-020	Evaporator
2	02-3333-01	Fan Motor Bracket	14	18-2200-28	Grommet
3	18-8740-01	60 Hz Fan Motor	15	18-2200-27	Sleeve
	18-8740-02	50 Hz Fan motor	16	03-1407-07	Washer
4	18-3732-01	Fan Blade	17	03-1405-20	Screw
5	A35932-001	Fan shroud	18	16-0832-20	Lo side access valve (w/caps)
5a	A35939-001	Fan shroud top	19	16-0832-21	Hi side access valve (w/caps)
6	18-8719-01	Condenser	20	16-0832-02	Stem cap
7	03-1404-05	Screw, #6 x 3/8		16-0832-03	Core cap
8	03-1645-01	Screw, 1/4 - 20 x 1/2	21	02-3319-02	Drier
	03-1410-03	Lockwasher	22	A32975-001	Foam Filter
	03-1407-05	Washer	23	A36067-001	TXV insulation
9	16-0844-01	Distributor	24	16-0867-22	TXV
10	12-2300-03	Hi Temp Cut Out	25	11-0485-21	Hi Pressure Cut Out Switch
11	12-2417-23	Hot Gas Valve with coil			
12	18-8726-23	208-230/60/1 Comp, w/drier			
	18-8726-26	220-240/50/1 Compressor			
	18-8726-25	208-230/60/3 Comp. w/ drier			

All above compressors have internal overloads

CME650 SERVICE PARTS

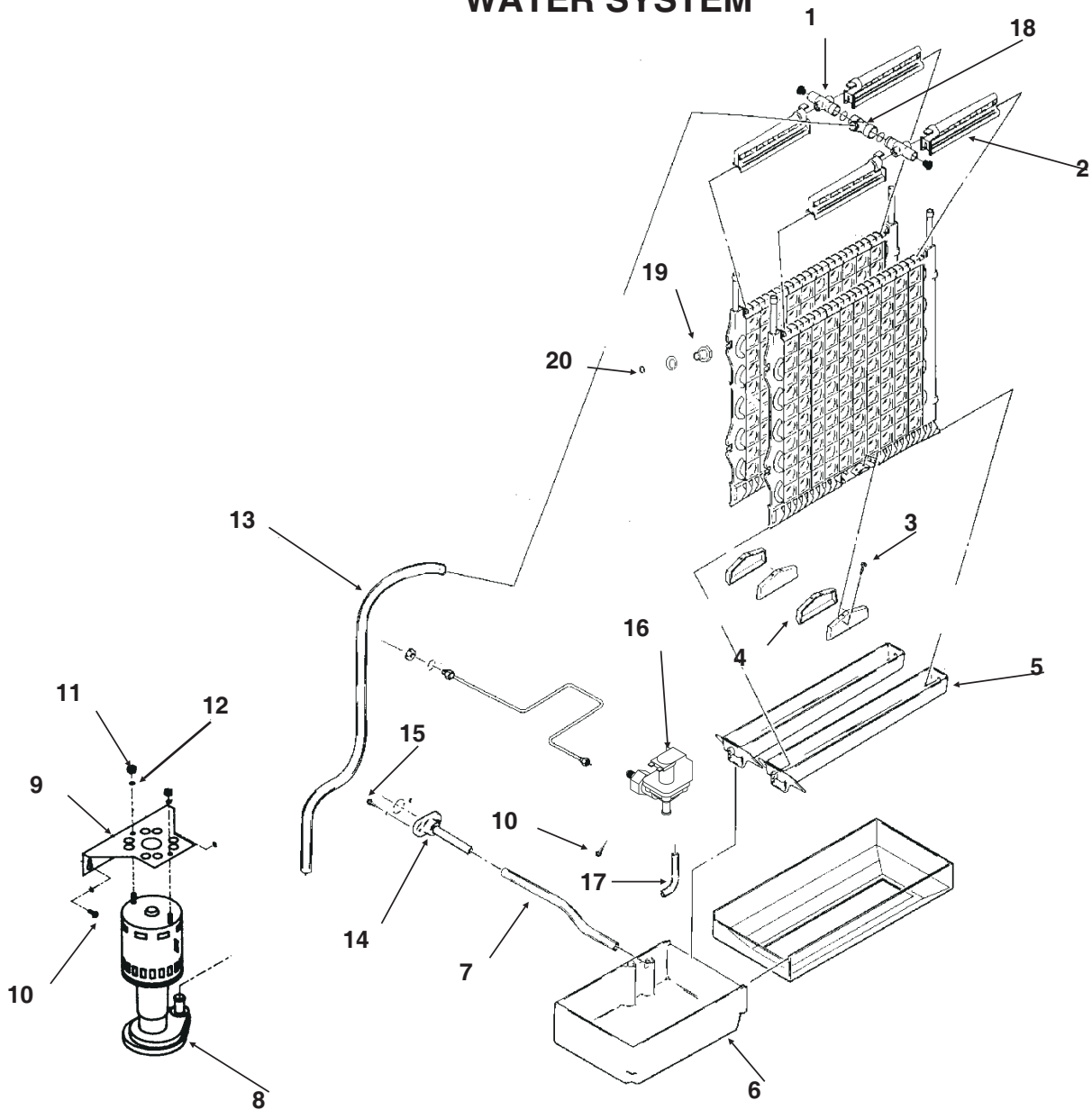
WATER COOLED REFRIGERATION



ITEM NUMBER	PART NUMBER	DESCRIPTION	ITEM NUMBER	PART NUMBER	DESCRIPTION
1	16-0401-02	Brass elbow	13	A30296-020	Evaporator
2	A31878-002	Drain assembly	14	18-2200-28	Grommet
3	A35588-001	Bracket for valves	15	18-2200-27	Sleeve
4	03-0571-02	Screw	16	03-1407-07	Washer
5	03-1403-14	Screw	17	03-1405-20	Screw
6	18-6900-25	Condenser	18	16-0832-20	Lo side access valve (w/caps)
7	02-2878-02	End cover	19	16-0832-21	Hi side access valve (w/caps)
8	03-1645-01	Screw, 1/4 - 20 x 1/2	20	16-0832-02	Stem cap
	03-1417-08	Lockwasher		16-0832-03	Core cap
9	16-0844-01	Distributor	21	02-3319-02	Drier
10	12-2300-03	Hi Temp Cut Out	22	11-0478-01	Water regulating valve
11	12-2417-23	Hot Gas Valve with coil	23	A36067-001	TXV insulation
12	18-8726-23	208-230/60/1 Comp. w/drier	24	16-0867-22	TXV
	18-8726-26	220/240/50/1 Compressor	25	11-0486-21	Hi Pressure Cut Out Switch
	18-8726-25	208-230/60/3 Comp. w/drier	26	02-2628-02	Receiver
	all above compressors have internal overloads				

CME650 SERVICE PARTS

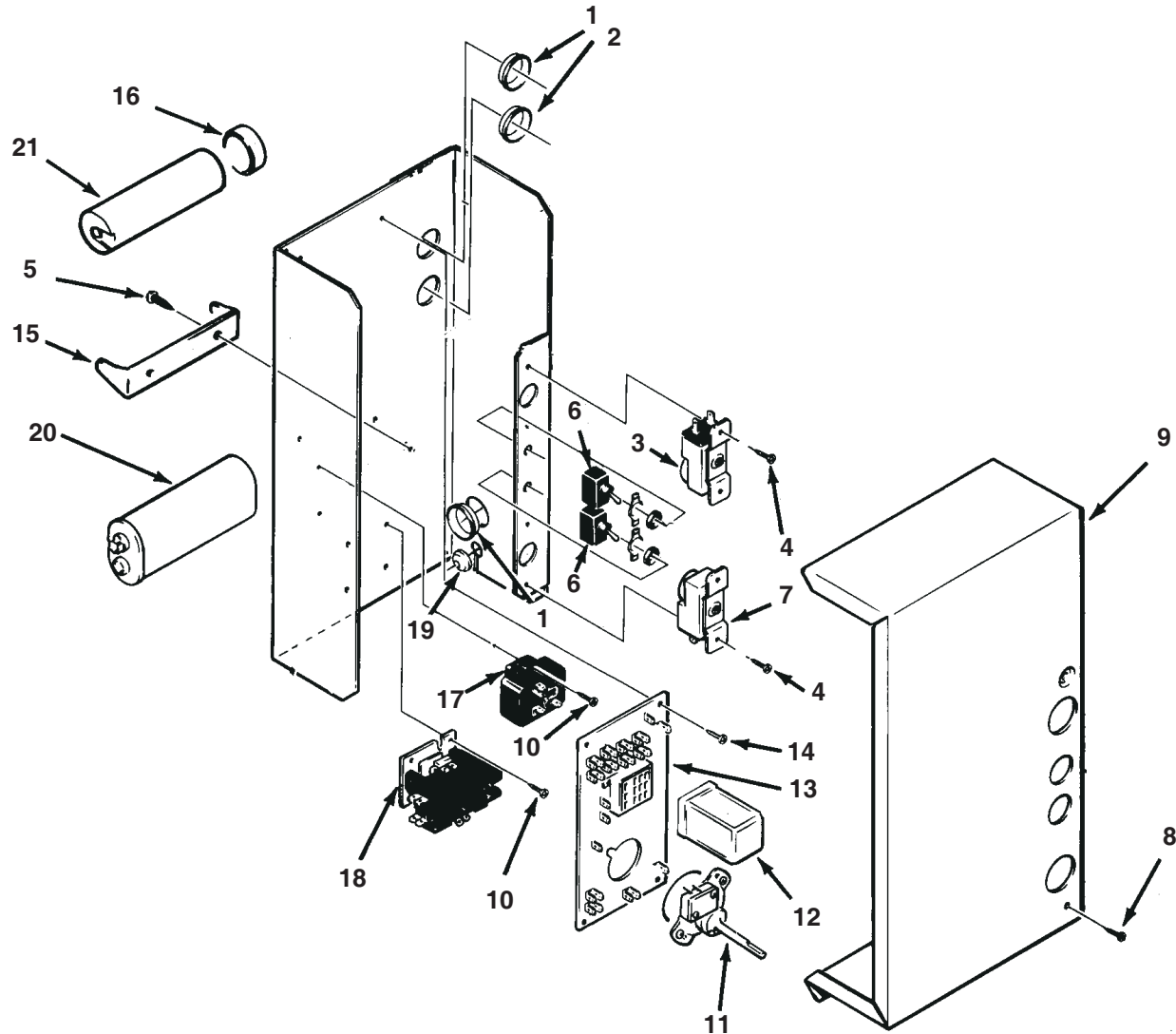
WATER SYSTEM



ITEM NUMBER	PART NUMBER	DESCRIPTION	ITEM NUMBER	PART NUMBER	DESCRIPTION
1	A29703-001	Manifold	13	13-0674-07	Pump hose, 33"
2	02-2527-01	Water distributor tube	14	A32282-003	Drain assembly, AC
3	03-1531-01	Screw	15	03-1645-01	Screw
4	02-2878-01	End cover	16	12-2446-24	Water valve
5	02-2868-01	Drain trough	17	A35926-001	Water inlet tube
6	02-2869-01	Reservoir	18	02-2519-01	Tee
7	13-0674-07	Drain hose, 8"	19	02-2642-01	Plate mount
8	12-2265-22	Water pump	20	03-1394-03	Pal nut
9	A35554-015	Pump bracket			
10	03-1531-01	Screw			
11	03-1406-05	Nut			
12	03-1417-06	Lockwasher			

CME650 SERVICE PARTS

CONTROL BOX

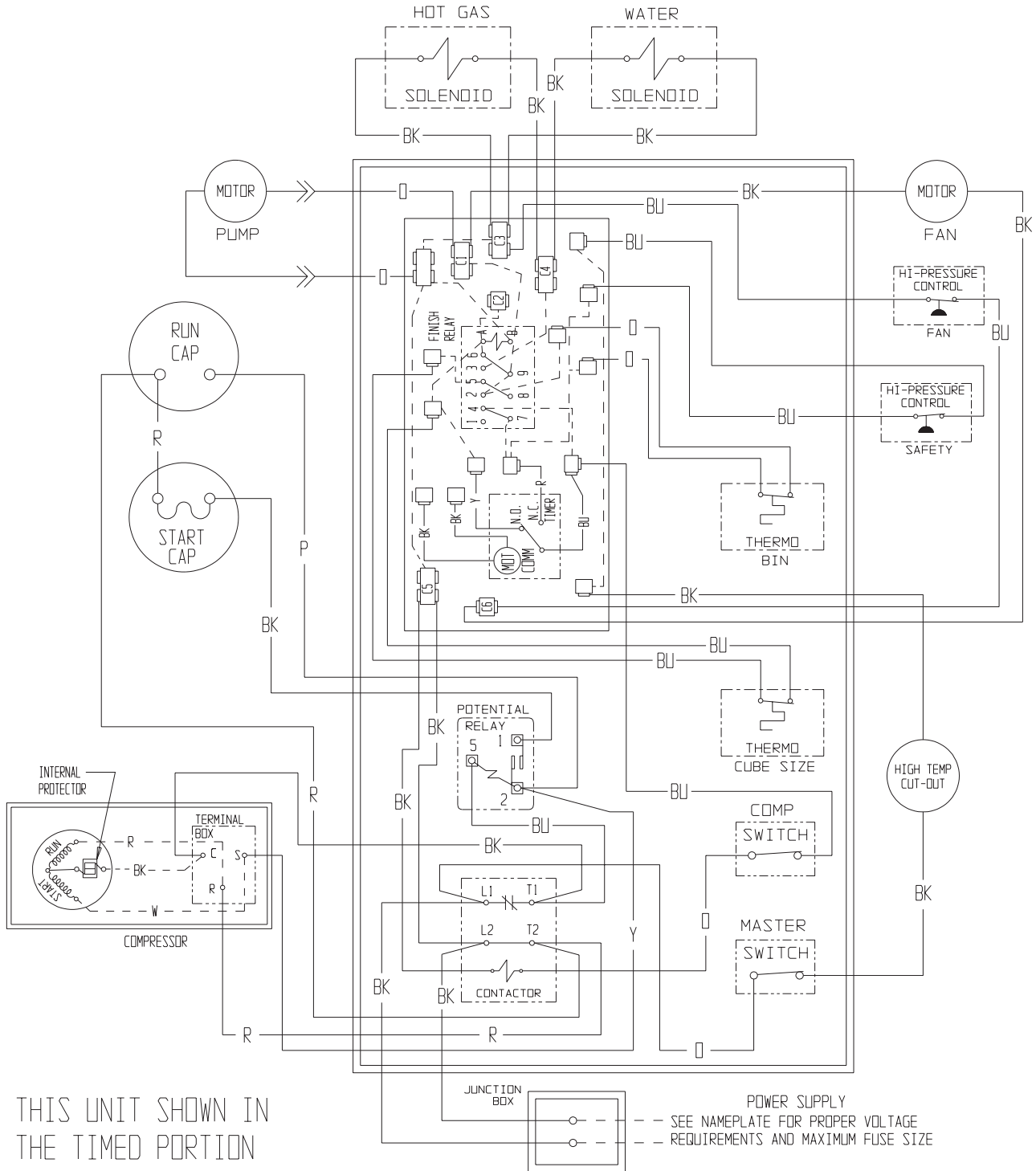


ITEM NUMBER	PART NUMBER	DESCRIPTION	ITEM NUMBER	PART NUMBER	DESCRIPTION
1	12-1213-17	Snap bushing	16	18-2200-38	Cap for start capacitor
2	12-1213-10	Snap bushing	17	18-1903-33	60 Hz Potential relay
3	11-0428-21	Cube size thermostat		18-1903-29	220v 50Hz Potential relay
4	03-1403-17	Screw	18	12-2469-02	Contactor
5	03-1418-06	Screw		12-0739-01	3 phase contactor
6	12-0426-01	Toggle switch	19	12-1213-04	Snap bushing
7	11-0427-22	Bin thermostat	20	18-1902-53	60 Hz Run capacitor
8	03-1531-01	Screw		18-1902-53	220v 50 Hz Run capacitor
9	A32168-001	Control Box Cover		13-0666-00	Cap for run capacitor
10	03-1638-03	Screw		A32872-001	Clamp for run capacitor
11	12-2317-22	Timer & Switch	21	18-1901-15	60 Hz Start capacitor
	12-2317-26	220v 50 Hz Timer & Switch		18-1901-52	220v 50 Hz Start capacitor
12	12-1879-03	Relay			
13	12-1912-01	Circuit Board			
14	03-1403-02	Screw			
15	18-2200-39	Bracket for start capacitor			

CME650 SERVICE PARTS

Air Cooled, 60 Hz, Single Phase Wiring Diagram

A35661-032

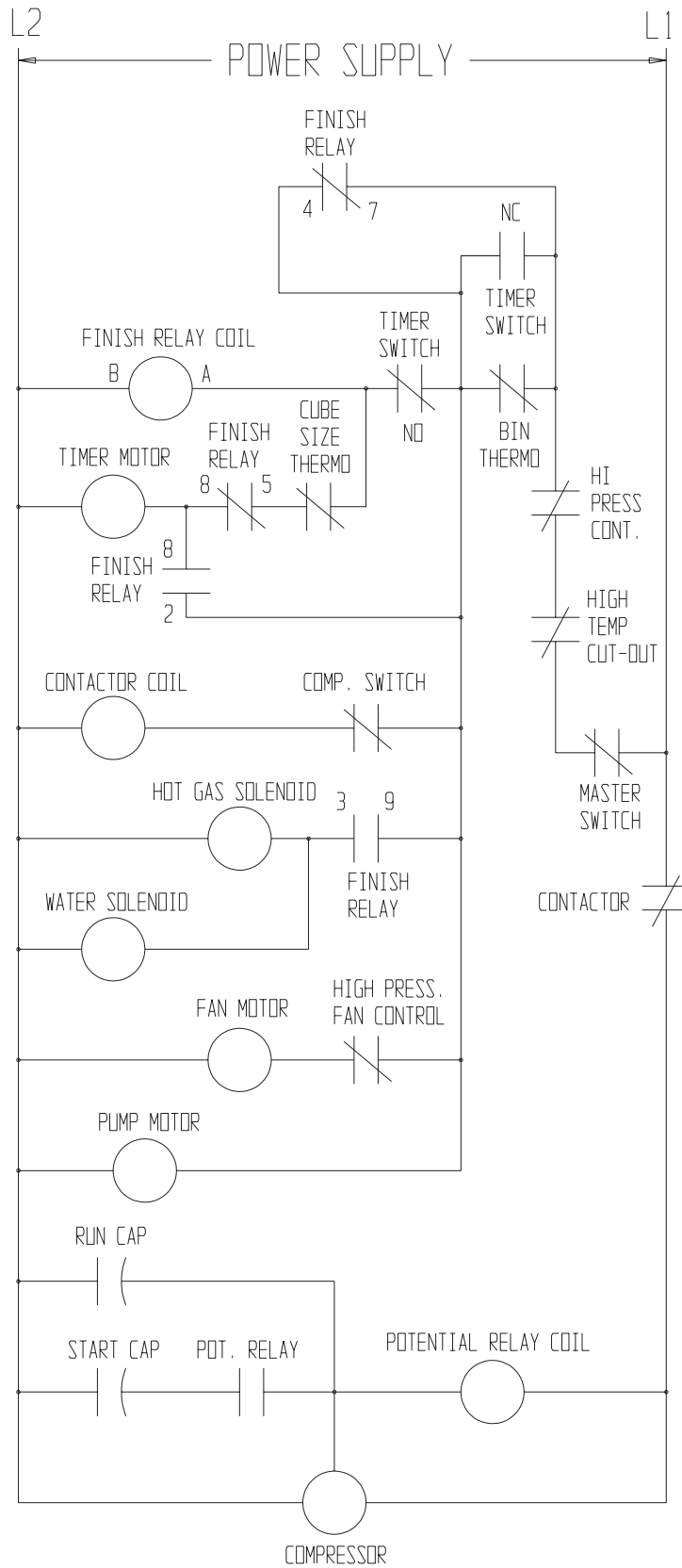


THIS UNIT SHOWN IN THE TIMED PORTION OF THE FREEZING CYCLE

USE COPPER CONDUCTORS ONLY

CME650 SERVICE PARTS

Air Cooled, 60 Hz, Single Phase Schematic Diagram

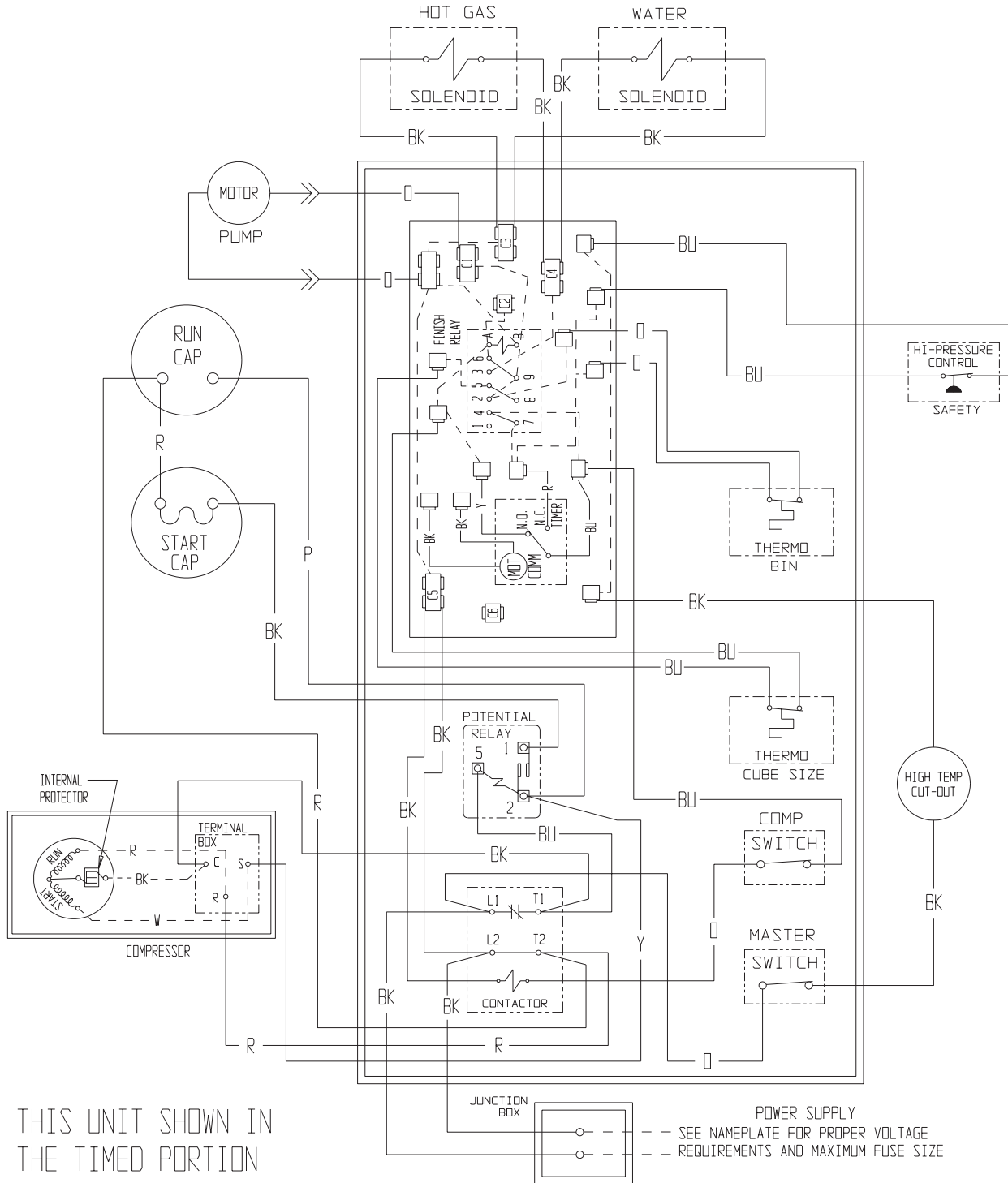


THIS UNIT MUST BE GROUNDED

CME650 SERVICE PARTS

Water Cooled, 60 Hz, Single Phase Wiring Diagram

A35662-032



THIS UNIT SHOWN IN THE TIMED PORTION OF THE FREEZING CYCLE

POWER SUPPLY
 -- SEE NAMEPLATE FOR PROPER VOLTAGE REQUIREMENTS AND MAXIMUM FUSE SIZE

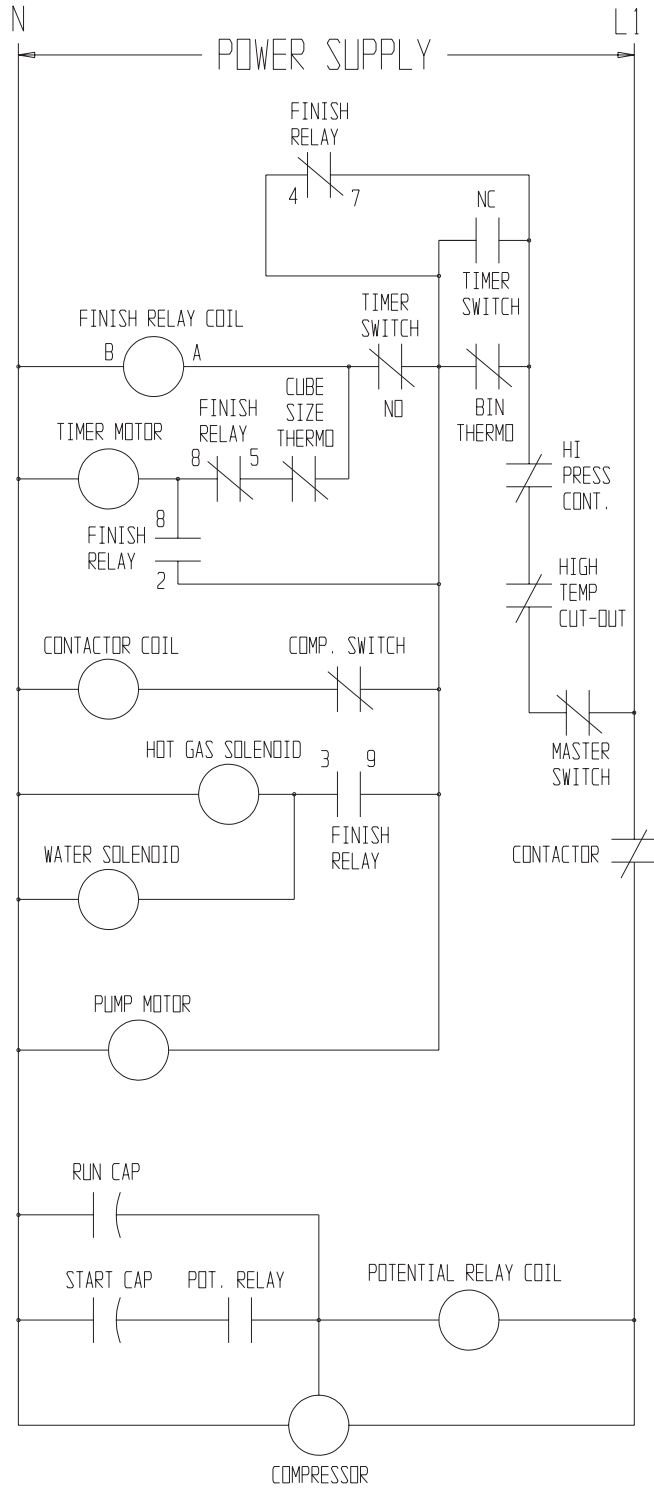
USE COPPER CONDUCTORS ONLY

CME650 SERVICE PARTS

Water Cooled, 60 Hz, Single Phase Schematic Diagram

CAUTION:

MORE THAN ONE DISCONNECT MEANS MAY BE REQUIRED
TO DISCONNECT ALL POWER TO THIS UNIT

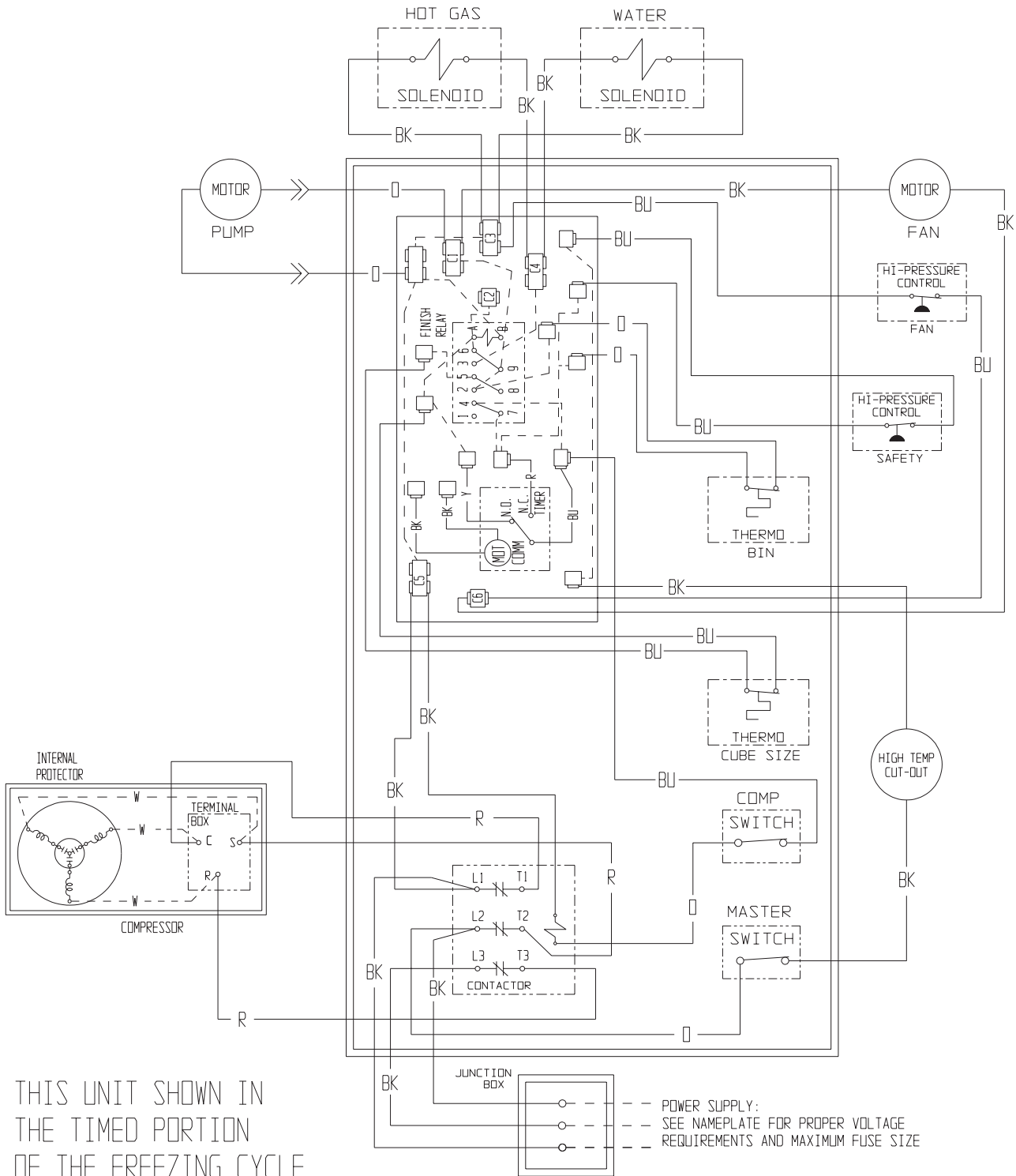


THIS UNIT MUST BE GROUNDED

CME650 SERVICE PARTS

Air Cooled, 60 Hz, 3 Phase Wiring Diagram

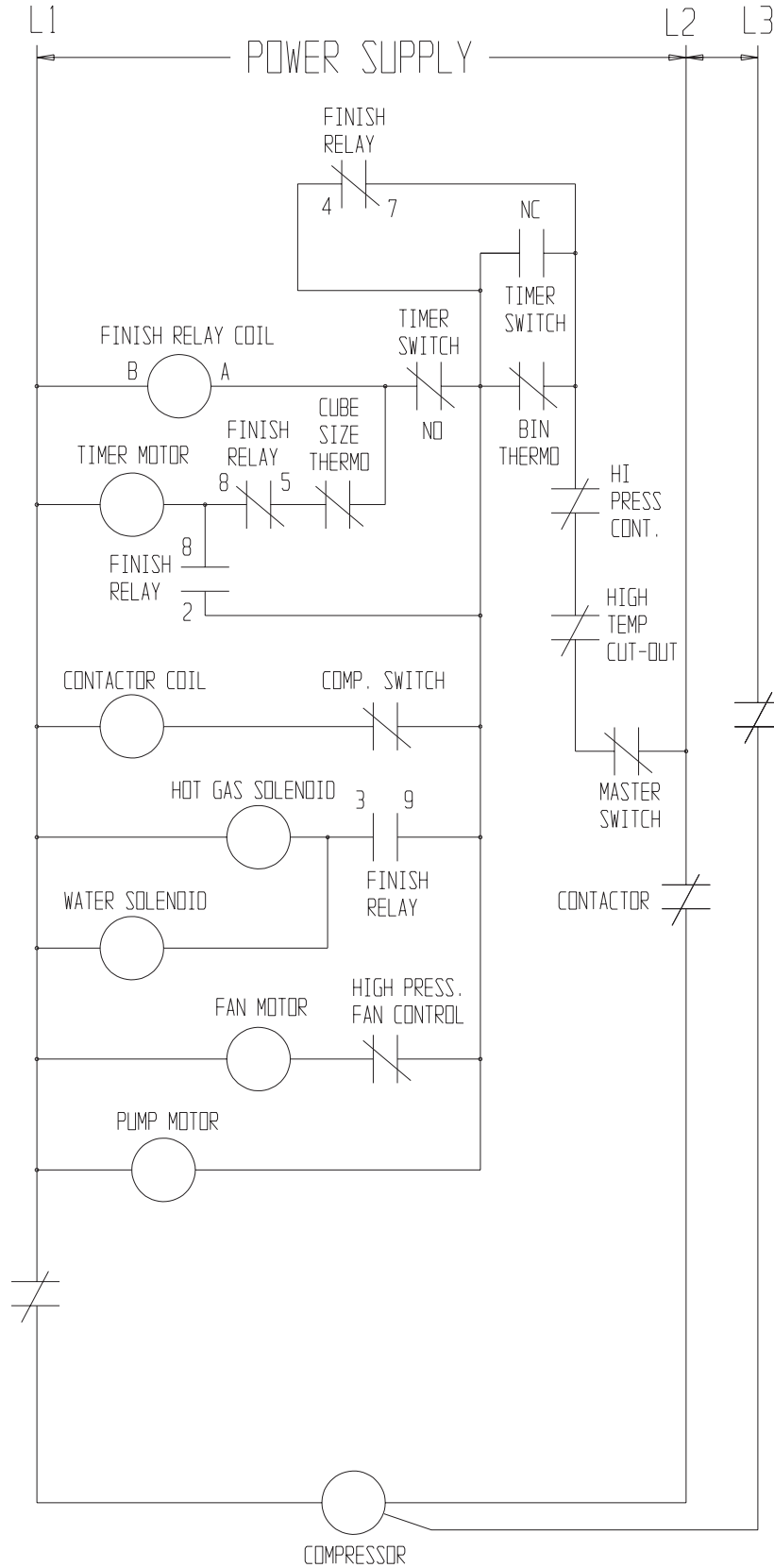
A35661-003



THIS UNIT SHOWN IN THE TIMED PORTION OF THE FREEZING CYCLE

CME650 SERVICE PARTS

Air Cooled, 60 Hz, 3 Phase Schematic Diagram

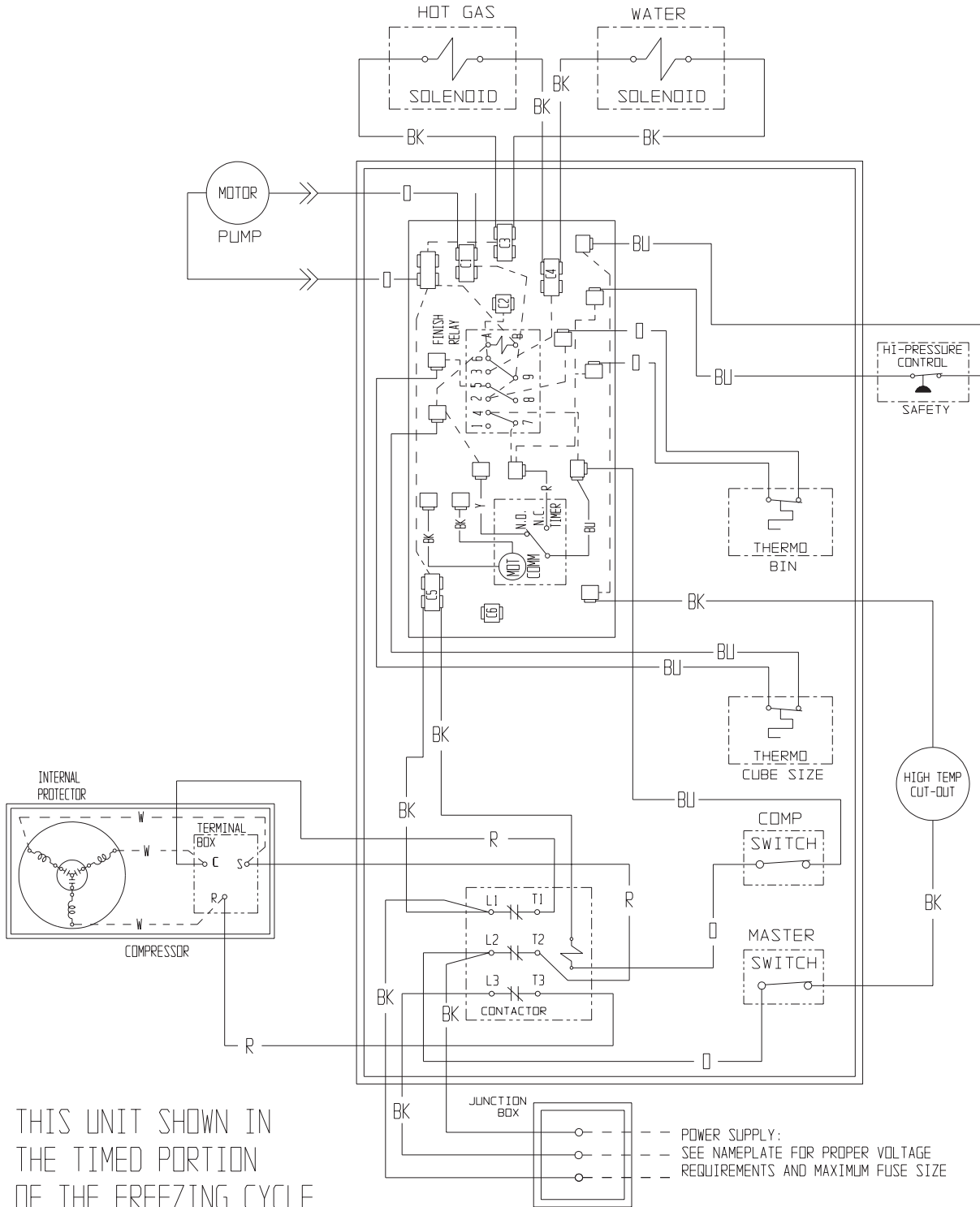


THIS UNIT MUST BE GROUNDED

CME650 SERVICE PARTS

Water Cooled, 60 Hz, 3 Phase Wiring Diagram

A35662-003

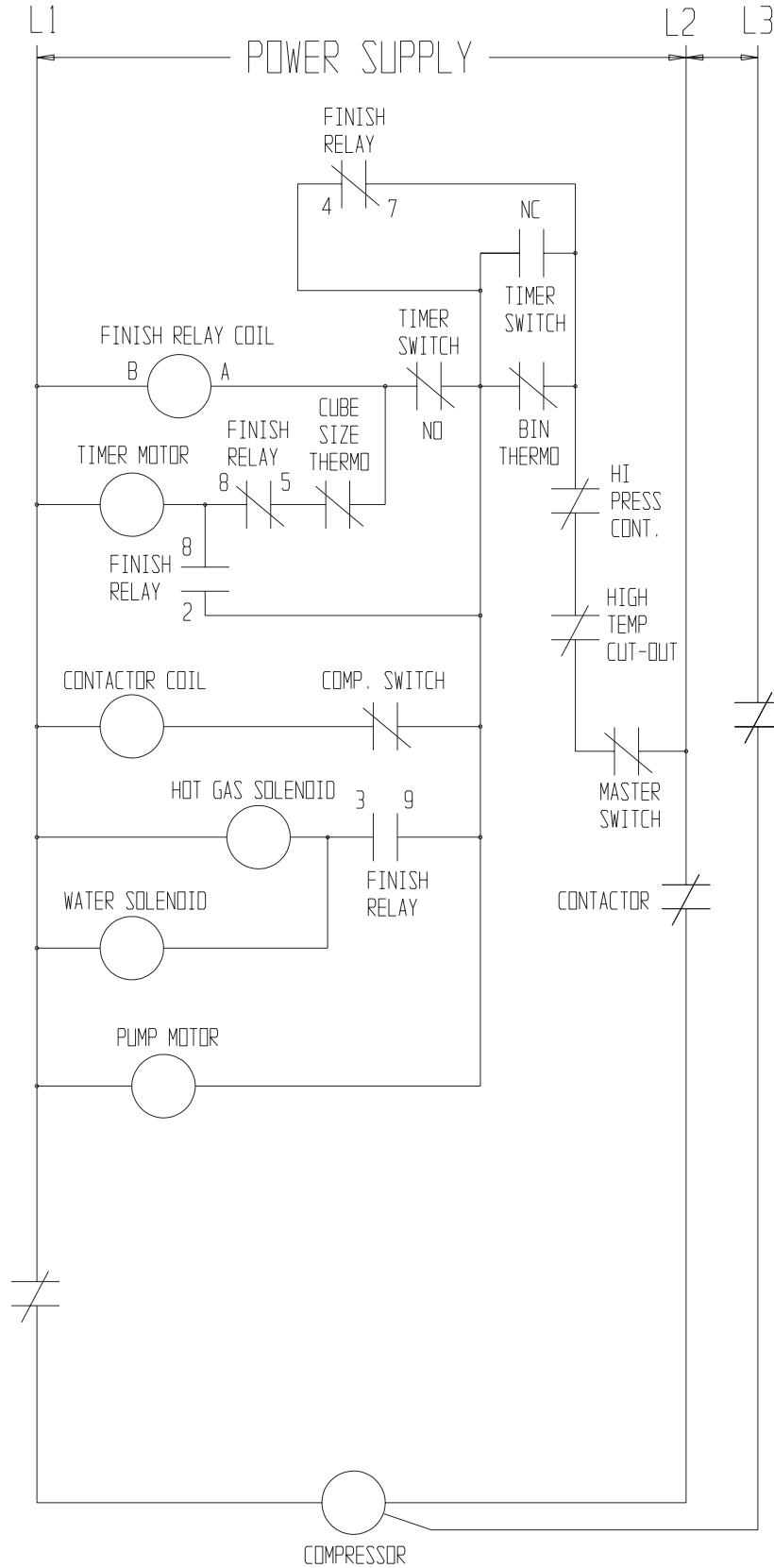


THIS UNIT SHOWN IN THE TIMED PORTION OF THE FREEZING CYCLE

USE COPPER CONDUCTORS ONLY

CME650 SERVICE PARTS

Water Cooled, 60 Hz, 3 Phase Schematic Diagram



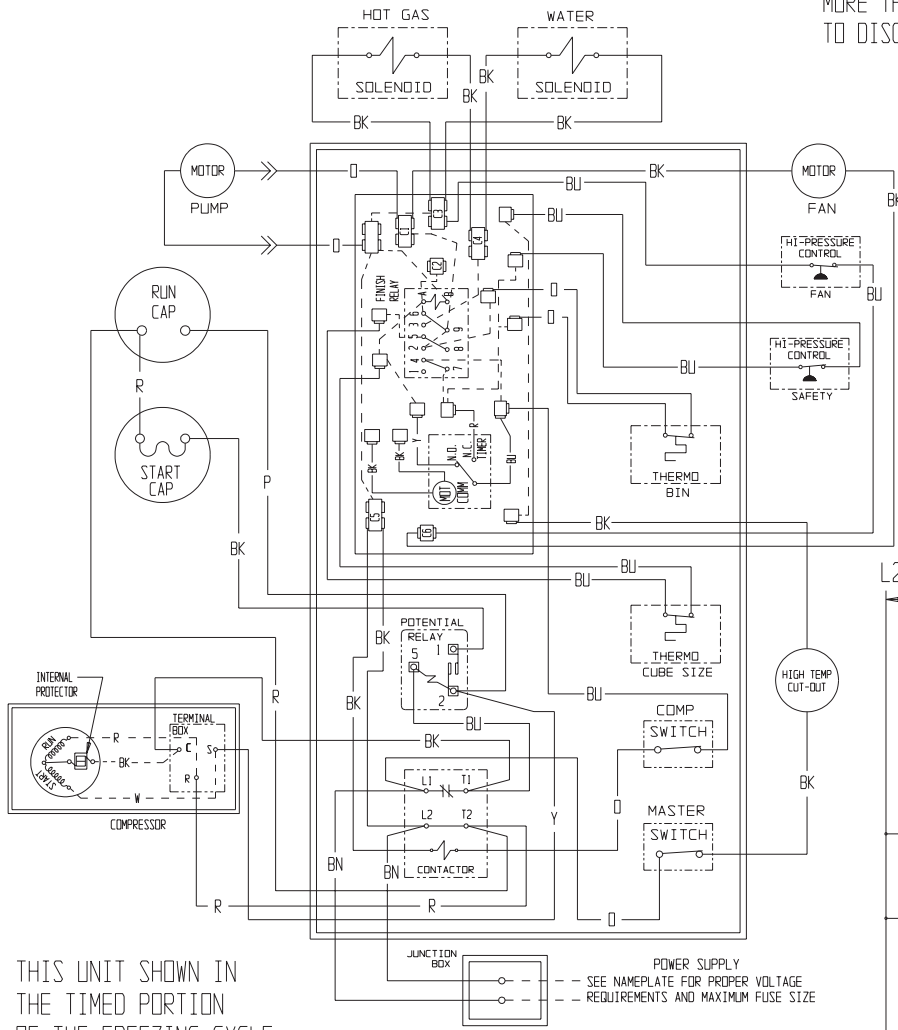
THIS UNIT MUST BE GROUNDED

CME650 SERVICE PARTS

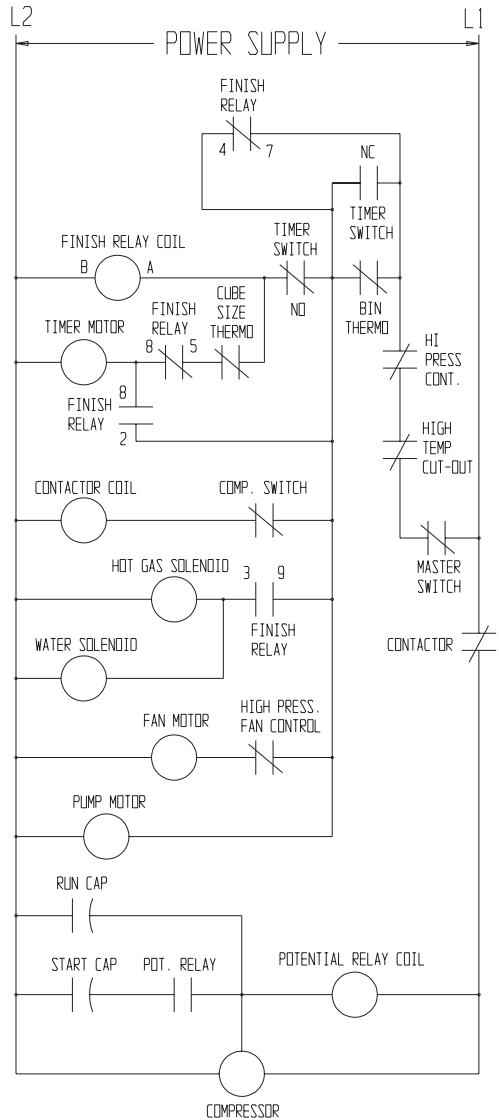
Air Cooled, 50 Hz, Wiring and Schematic Diagrams

A35661-006

CAUTION:
MORE THAN ONE DISCONNECT MEANS MAY BE REQUIRED
TO DISCONNECT ALL POWER TO THIS UNIT



THIS UNIT SHOWN IN
THE TIMED PORTION
OF THE FREEZING CYCLE



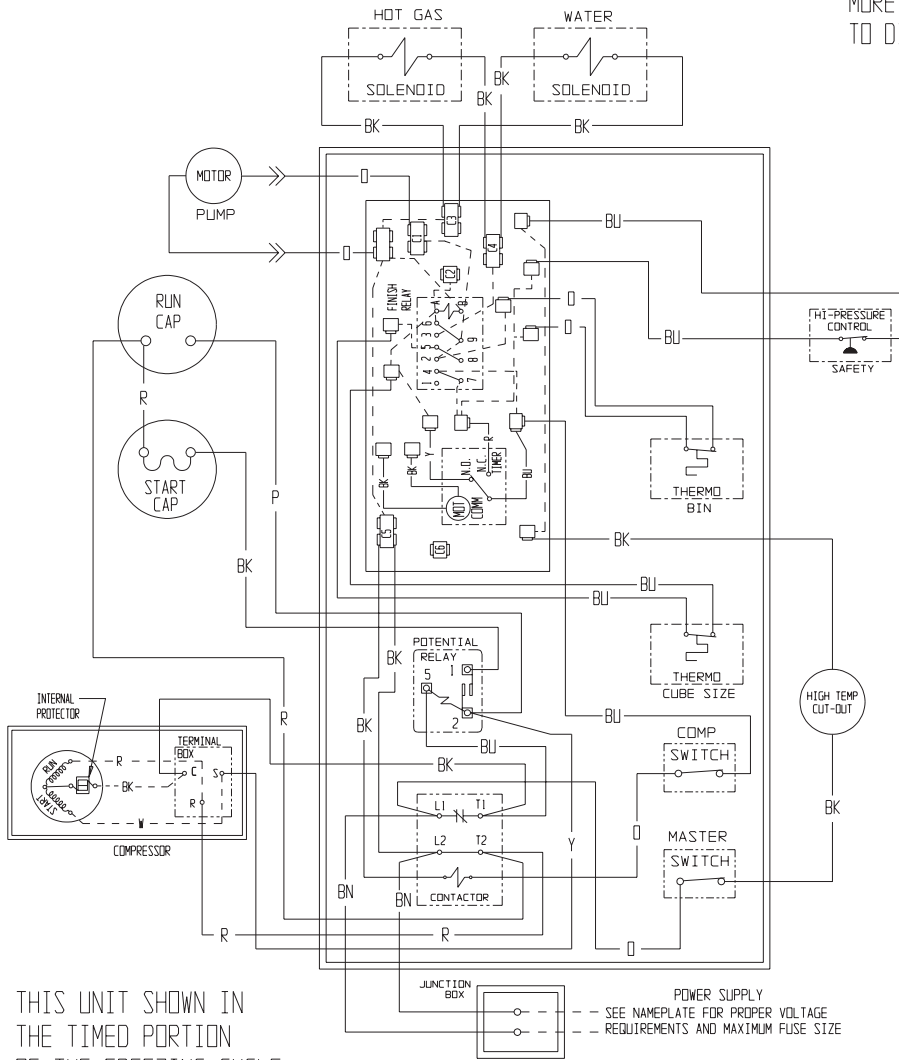
THIS UNIT MUST BE GROUNDED

CME650 SERVICE PARTS

Water Cooled, 50 Hz, Wiring and Schematic Diagrams

A35662-006

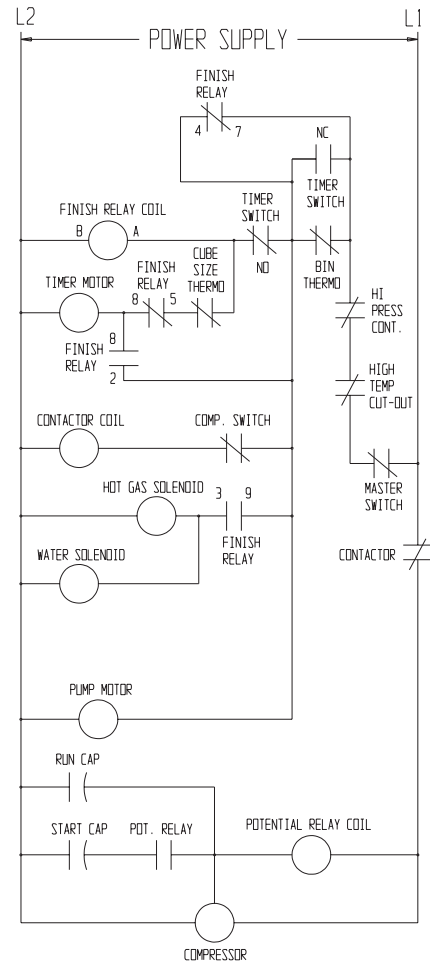
CAUTION:
MORE THAN ONE DISCONNECT MEANS MAY BE REQUIRED
TO DISCONNECT ALL POWER TO THIS UNIT



THIS UNIT SHOWN IN
THE TIMED PORTION
OF THE FREEZING CYCLE

USE COPPER CONDUCTORS ONLY

POWER SUPPLY
-- SEE NAMEPLATE FOR PROPER VOLTAGE
-- REQUIREMENTS AND MAXIMUM FUSE SIZE



THIS UNIT MUST BE GROUND