

CMS1202R SERVICE PARTS

This parts lists shows the service parts for the CMS1202R Remote.

Check the model number of the machine to be certain of obtaining the correct part.

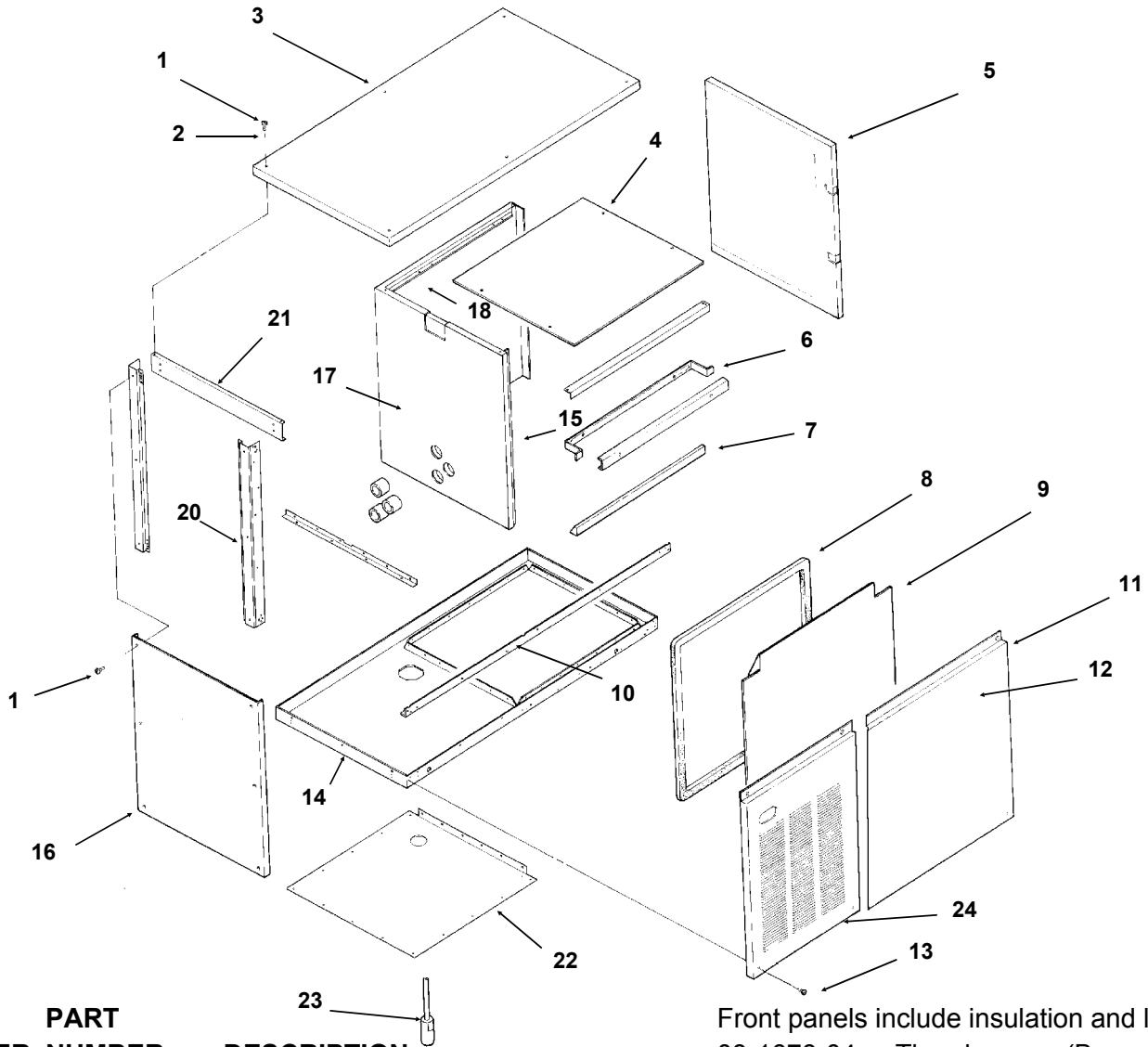
Included at the back of the parts list are the wiring diagrams.

Table of Contents

| | |
|--------------------------------|--------|
| Cabinet | Page 2 |
| Refrigeration System | Page 3 |
| Remote Condenser | Page 4 |
| Control Box | Page 6 |
| BH900 Bin | Page 7 |
| Wiring Diagrams | Page 8 |

CMS1202R SERVICE PARTS

CABINET PARTS



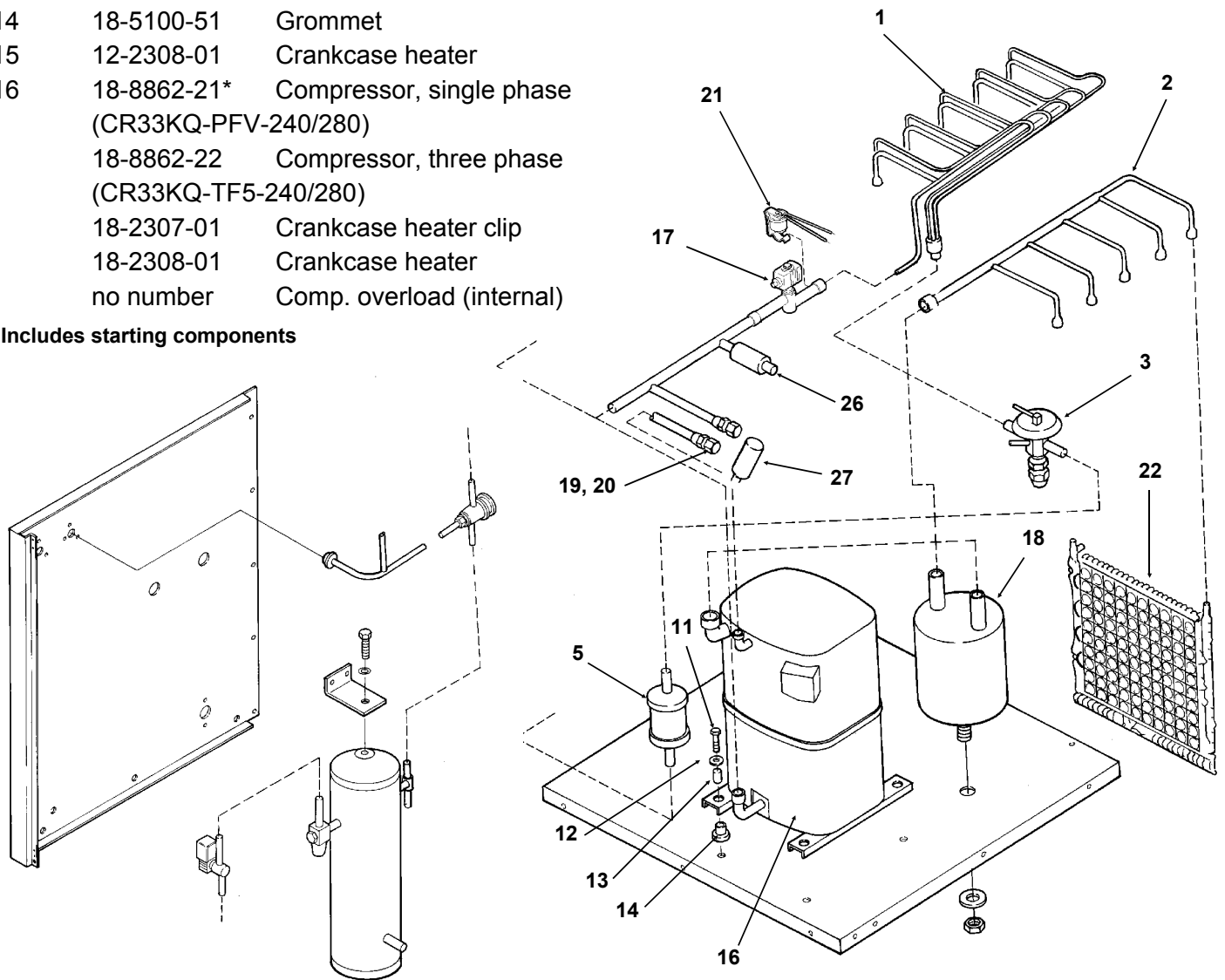
| ITEM NUMBER | PART NUMBER | DESCRIPTION |
|-------------|-------------|-----------------------------------|
| 1 | 03-1531-01 | Screws |
| 2 | 03-1417-27 | Washers |
| 3 | A35074-001 | Panel top (enamel) |
| | A35074-002 | Panel top (stainless) |
| 4 | A33364-001 | Liner top |
| 5 | A29164-003 | Right panel (enamel) |
| | A29164-002 | Right panel (stainless) |
| 6 | A29204-001 | Brace front |
| 7 | 02-2532-01 | Liner cap |
| 8 | 13-0595-00 | Gasket (order per foot) |
| 9 | 02-2795-01 | Liner, front panel |
| 10 | 03-1678-01 | Speed clip (B model) |
| 11 | A35080-021 | Front panel (enamel) |
| | A35080-022 | Front panel, (stainless) |
| | A35401-022 | B mod right front panl, stainless |
| | A35401-021 | B mod right front panel, painted |
| 12 | 15-0711-01 | Emblem |
| 13 | 03-1404-19 | Screws |
| 14 | A35110-001 | Base assembly |
| 15 | 02-2533-01 | Liner, left side |
| 16 | A35075-001 | Left side panel, enamel |
| | A35075-002 | Left side panel, stainless |
| 17 | no number | Retainer |
| 18 | 02-2531-01 | Liner back |
| 19 | 02-2534-01 | Right side liner |
| 20 | A35069-001 | Corner post |
| 21 | A35066-001 | Brace |
| 22 | 02-3151-01 | Plastic cover |
| 23 | A34908-021 | Transducer |
| 24 | A35400-001 | B model left frnt pnl, painted |

CMS1202R SERVICE PARTS

REFRIGERATION SYSTEM

| ITEM NUMBER | PART NUMBER | DESCRIPTION | ITEM NUMBER | PART NUMBER | DESCRIPTION |
|-------------|-------------|--|-------------|-------------|-------------------------|
| 1 | A35122-001 | Evap. manifold assy | 17 | 12-2135-22 | Hot gas valve |
| 2 | 16-0887-01 | Manifold assy | | 02-3231-03 | Hot gas valve filter |
| 3 | 16-0816-21 | Expansion valve | 18 | 16-0817-21 | Accumulator |
| | 13-0617-51 | O-Ring | 19 | 16-0560-00 | Valve core |
| | 02-2920-01 | Foam insulation | 20 | 16-0563-00 | Valve cap |
| 4 | 12-2274-01 | Liquid line solenoid valve | 21 | 12-2300-07 | Hi temp cut out |
| 5 | 02-3319-01 | Drier | 22 | A30296-020 | Evaporator plate |
| 6 | 16-0761-01 | Receiver | 23 | 16-0850-01 | Discharge quick connect |
| 7 | A35072-001 | Receiver bracket | 24 | 16-0850-03 | Liquid quick connect |
| 8 | 03-1410-06 | Lockwasher | 25 | A35070-001 | Back panel |
| 9 | 03-1406-13 | Nut | 26 | 11-0446-25 | Hi pressure cut out |
| 10 | 11-0422-22 | Head pressure reg. valve | 27 | 11-0467-21 | Pump down control |
| 11 | 03-1405-20 | Screw | | | |
| 12 | 03-1407-07 | Washer | | | |
| 13 | 18-2200-28 | Sleeve | | | |
| 14 | 18-5100-51 | Grommet | | | |
| 15 | 12-2308-01 | Crankcase heater | | | |
| 16 | 18-8862-21* | Compressor, single phase (CR33KQ-PFV-240/280) | | | |
| | 18-8862-22 | Compressor, three phase (CR33KQ-TF5-240/280) | | | |
| | 18-2307-01 | Crankcase heater clip | | | |
| | 18-2308-01 | Crankcase heater | | | |
| | no number | Comp. overload (internal) | | | |

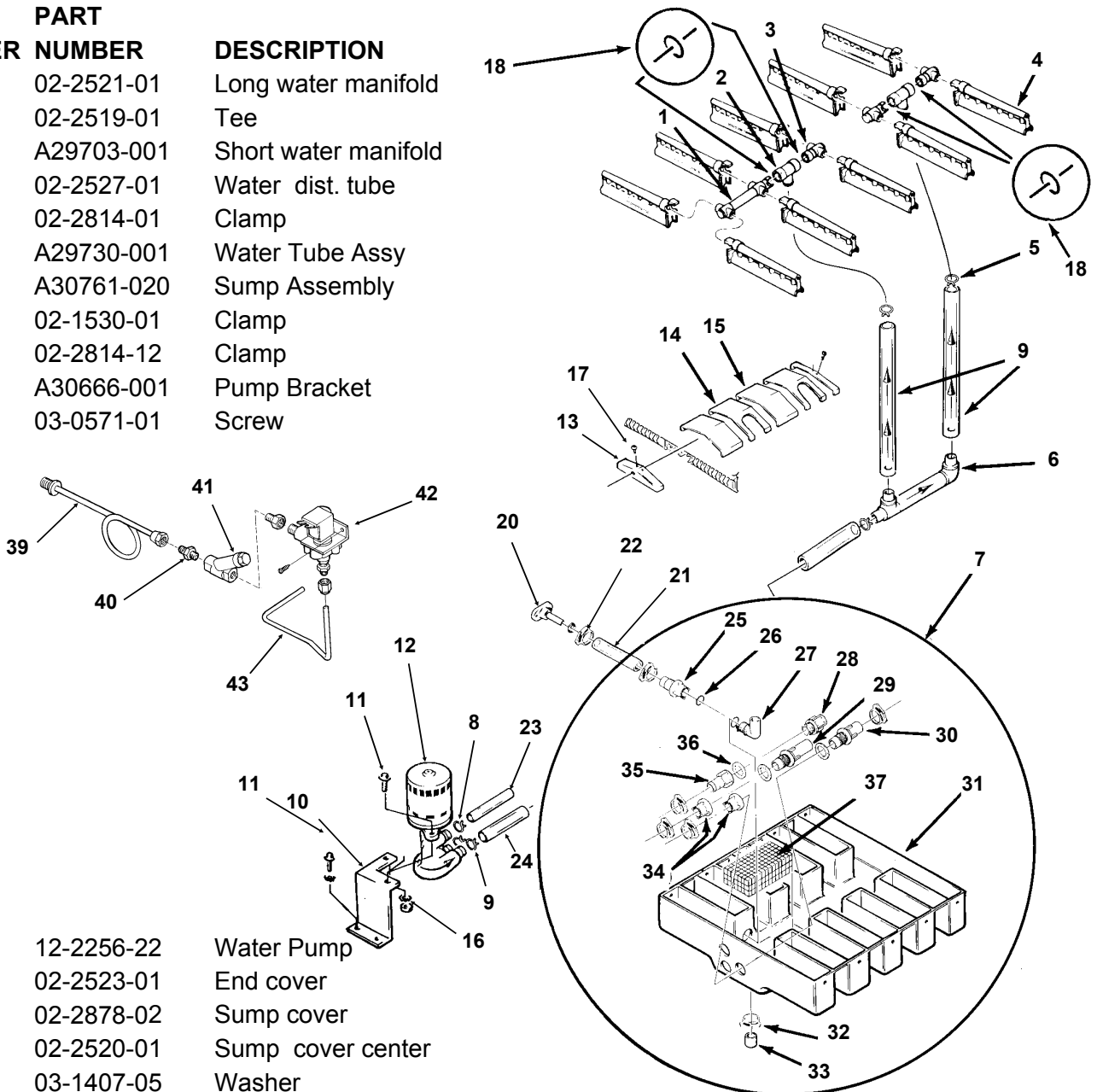
* Includes starting components



CMS1202R SERVICE PARTS

WATER SYSTEM

| ITEM NUMBER | PART NUMBER | DESCRIPTION |
|-------------|-------------|----------------------|
| 1 | 02-2521-01 | Long water manifold |
| 2 | 02-2519-01 | Tee |
| 3 | A29703-001 | Short water manifold |
| 4 | 02-2527-01 | Water dist. tube |
| 5 | 02-2814-01 | Clamp |
| 6 | A29730-001 | Water Tube Assy |
| 7 | A30761-020 | Sump Assembly |
| 8 | 02-1530-01 | Clamp |
| 9 | 02-2814-12 | Clamp |
| 10 | A30666-001 | Pump Bracket |
| 11 | 03-0571-01 | Screw |

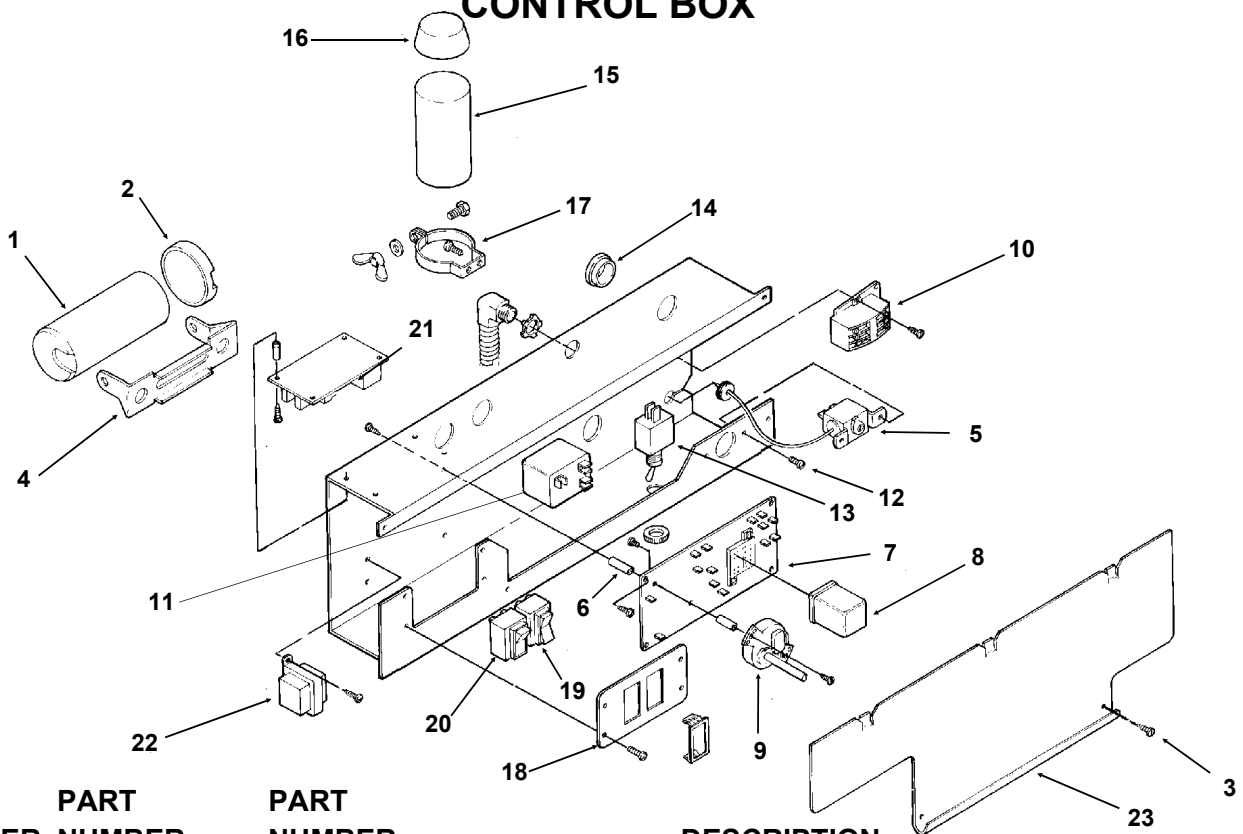


| | | |
|----|------------|-------------------|
| 12 | 12-2256-22 | Water Pump |
| 13 | 02-2523-01 | End cover |
| 14 | 02-2878-02 | Sump cover |
| 15 | 02-2520-01 | Sump cover center |
| 16 | 03-1407-05 | Washer |
| 17 | 03-1531-01 | Screw |
| 18 | 13-0617-48 | O-ring |
| 19 | 13-0674-07 | Hose (18.5") |
| 20 | A32282-003 | Drain |
| 21 | 13-0674-07 | Tube, drain (7") |
| 22 | 02-2814-12 | Hose clamp |
| 23 | 13-0674-07 | Tube, need 6.25" |
| 24 | 13-0674-08 | Tube, need 6.6" |
| 25 | 02-2606-01 | Female tube |
| 26 | 13-0617-02 | O-ring |
| 27 | 02-2125-01 | Elbow |
| 28 | 02-2080-01 | Overflow |
| 29 | 02-2792-01 | Pick Up tube |

| | | |
|----|------------|-------------------|
| 30 | 02-2793-01 | Inlet tube |
| 31 | no number | sump pan |
| 32 | 02-1530-01 | Clamp |
| 33 | 13-0796-01 | Rubber cap |
| 34 | 02-2791-01 | Water inlet nut |
| 35 | 02-2606-01 | Female tube |
| 36 | 13-0617-02 | O-ring |
| 37 | A30760-001 | Screen |
| 39 | A35119-001 | Water inlet assy. |
| 40 | 16-0791-01 | Half unio |
| 41 | 16-0162-00 | Strainer |
| 42 | 12-1646-04 | Inlet water valve |
| 43 | A35117-001 | Tube |

CMS1202R SERVICE PARTS

CONTROL BOX

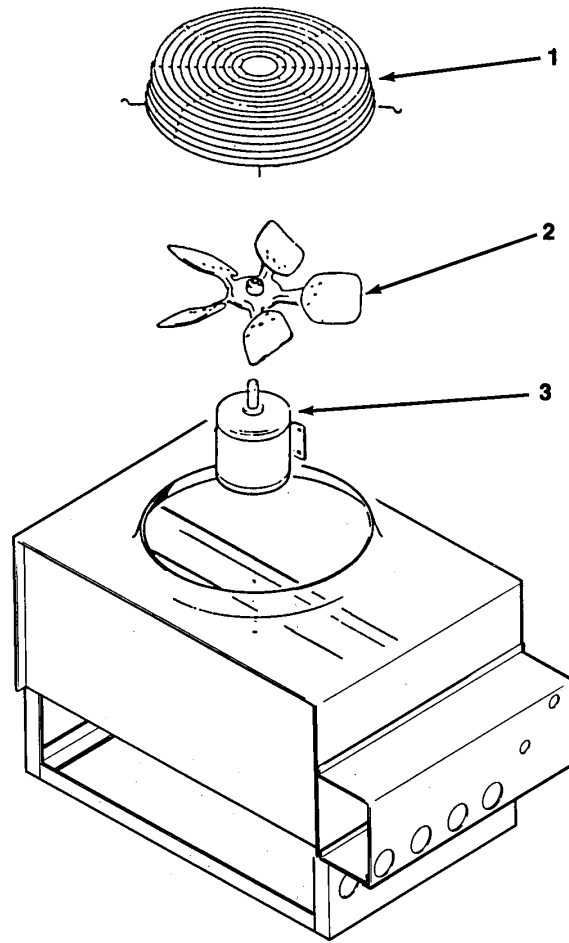


| ITEM NUMBER | PART NUMBER | PART NUMBER | PART NUMBER | DESCRIPTION |
|-------------|----------------|---------------------|--------------------|---|
| | 3 phase | single phase | Repl. comp* | |
| 1 | - | 18-1901-48 | 18-1901-27 | Start Capacitor |
| 2 | - | 18-8702-01 | | Start Cap. Cap |
| 3 | - | 03-1638-03 | | Screw |
| 4 | - | 18-2200-39 | | Start cap. bracket |
| 5 | 11-0351-22 | same | | Cube Size Control |
| 6 | 02-2242-02 | same | | Stand off |
| 7 | 12-1912-01 | same | | Circuit board |
| 8 | 12-1879-03 | same | | Relay |
| 9 | 12-2317-22 | same | | Timer & Switch |
| 10 | 12-0739-02 | 12-2469-02 | | Contactor |
| 11 | - | 18-1903-46 | 18-1903-56 | Potential Relay |
| 12 | 03-1403-17 | same | | Screw |
| 13 | 12-0426-01 | same | | Comp. Switch |
| 14 | - | 12-1213-12 | | Snap busing |
| 15 | - | 18-1902-27 | | Run capacitor |
| 16 | - | 13-0666-00 | | Terminal cover |
| 17 | - | A34314-001 | | Run Cap Bracket |
| 18 | 02-3173-01 | same | | Switch plate |
| 19 | 12-2414-01 | same | | Wash- Off - Ice switch |
| 20 | 12-2411-01 | same | | Bin ice level switch |
| | 12-2402-01 | same | | Wire harness, bin level switch to board |
| 21 | 12-2376-21 | same | | Ice level control circuit board |
| 22 | 12-2285-22 | same | | Transformer |
| 23 | A35082-001 | same | | Control box cover |

*** Start capacitor and relay are different on later replacement compressors. Check compressor model. Original was CRG3-0250-PFV-270, late replacement model is CR33KQ-PVF-240/280**

CMS1202R SERVICE PARTS

REMOTE CONDENSER



RC1422-32

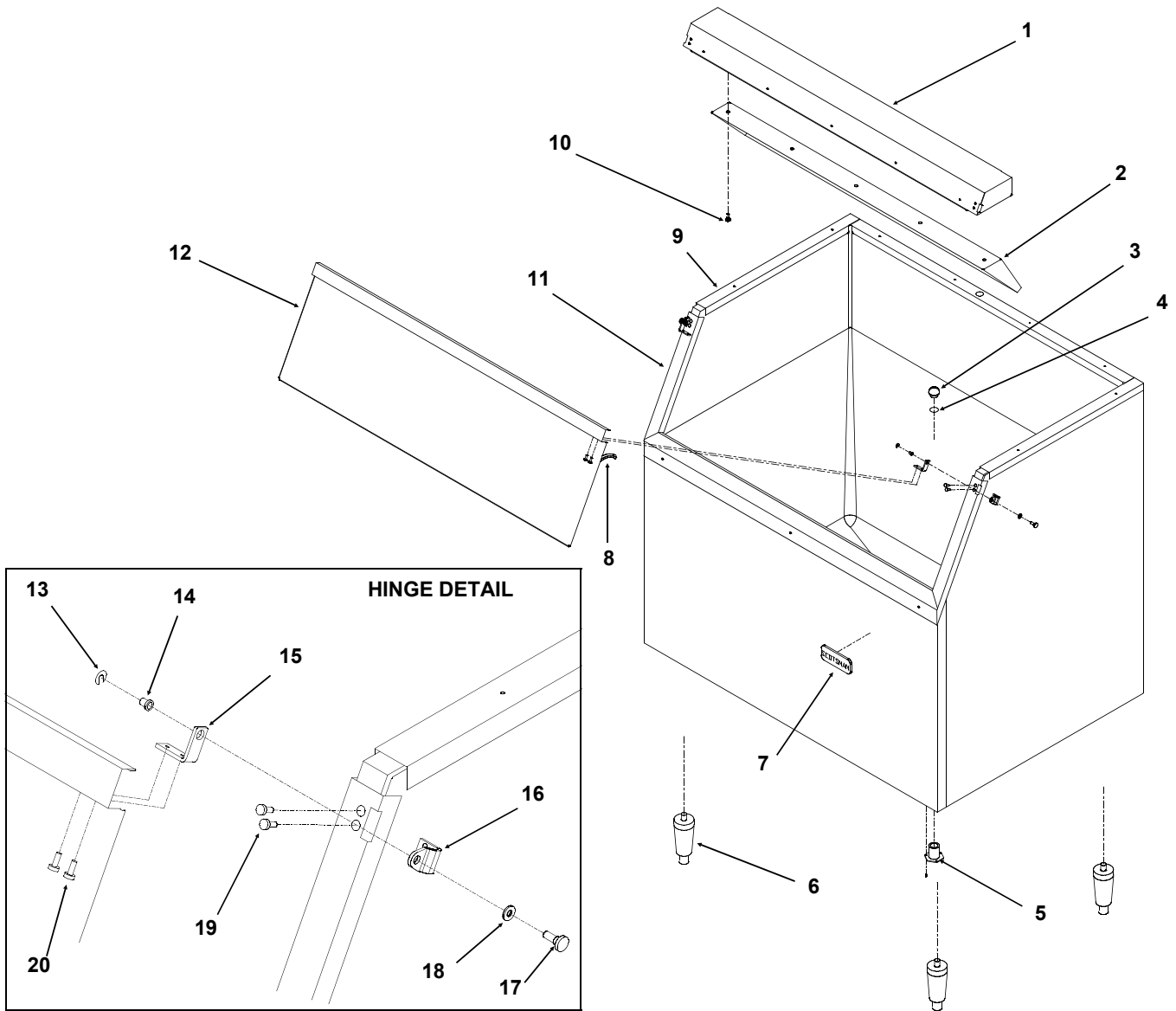
| ITEM NUMBER | PART NUMBER | DESCRIPTION |
|-------------|-------------|-------------|
| 1 | 02-2618-01 | Fan guard |
| 2 | 18-6304-01 | Fan blade |
| 3 | 18-5301-01 | Fan motor |

Not Shown:

| | | |
|---|------------|--------------------------------------|
| 4 | 16-0850-03 | Quick connect, liquid |
| 5 | 16-0850-01 | Quick connect, discharge |
| 6 | 16-1057-01 | Quick connect, pre-charged 3/8" line |
| 7 | 16-1057-02 | Quick connect, pre-charged 1/2" line |

CMS1202R SERVICE PARTS

BH900 ICE STORAGE BIN



| ITEM NUMBER | PARTS NUMBER | DESCRIPTION |
|-------------|--------------|--------------------------|
| 1 | A35322-020 | Canopy Assembly |
| 2 | A35152-001 | Ice Baffle |
| 3 | 02-2809-01 | Drain Top |
| 4 | 13-0617-11 | O-ring |
| 5 | 02-3201-01 | Drain casting |
| 6 | KLP2E | Leg Kit, Black |
| | KLP2S | Leg Kit, Nickel Plated |
| 7 | 15-0711-01 | Emblem |
| 8 | 13-0595-00 | Door gasket(6.25' reg.) |
| 9 | 19-0503-04 | Bin gasket |
| 10 | 03-0727-11 | Baffle screw |
| 11 | A35275-001 | Door frame assy. |
| 12 | A35323-020 | Door with gasket |
| 13 | 03-1539-09 | "E" ring |

| ITEM NUMBER | PARTS NUMBER | DESCRIPTION |
|-------------|--------------|-----------------------|
| 14 | 02-2380-01 | Hinge bushing |
| 15 | 02-3195-01 | Door hinge |
| 16 | 02-3196-01 | Bin hinge |
| 17 | 02-2806-01 | Shoulder screw |
| 18 | 02-2380-02 | Spacer |
| 19 | 03-1403-29 | Screw 10-24 |
| 20 | 03-1403-24 | Screw 10-24 |
| 21 | 02-0540-00 | Scoop |
| Not Shown | | |
| 22 | A35280-001 | Left bin channel |
| 23 | A35311-001 | Back bin channel |
| 24 | A35279-001 | Right bin channel |
| 25 | 02-3202-01 | Trim guard for canopy |

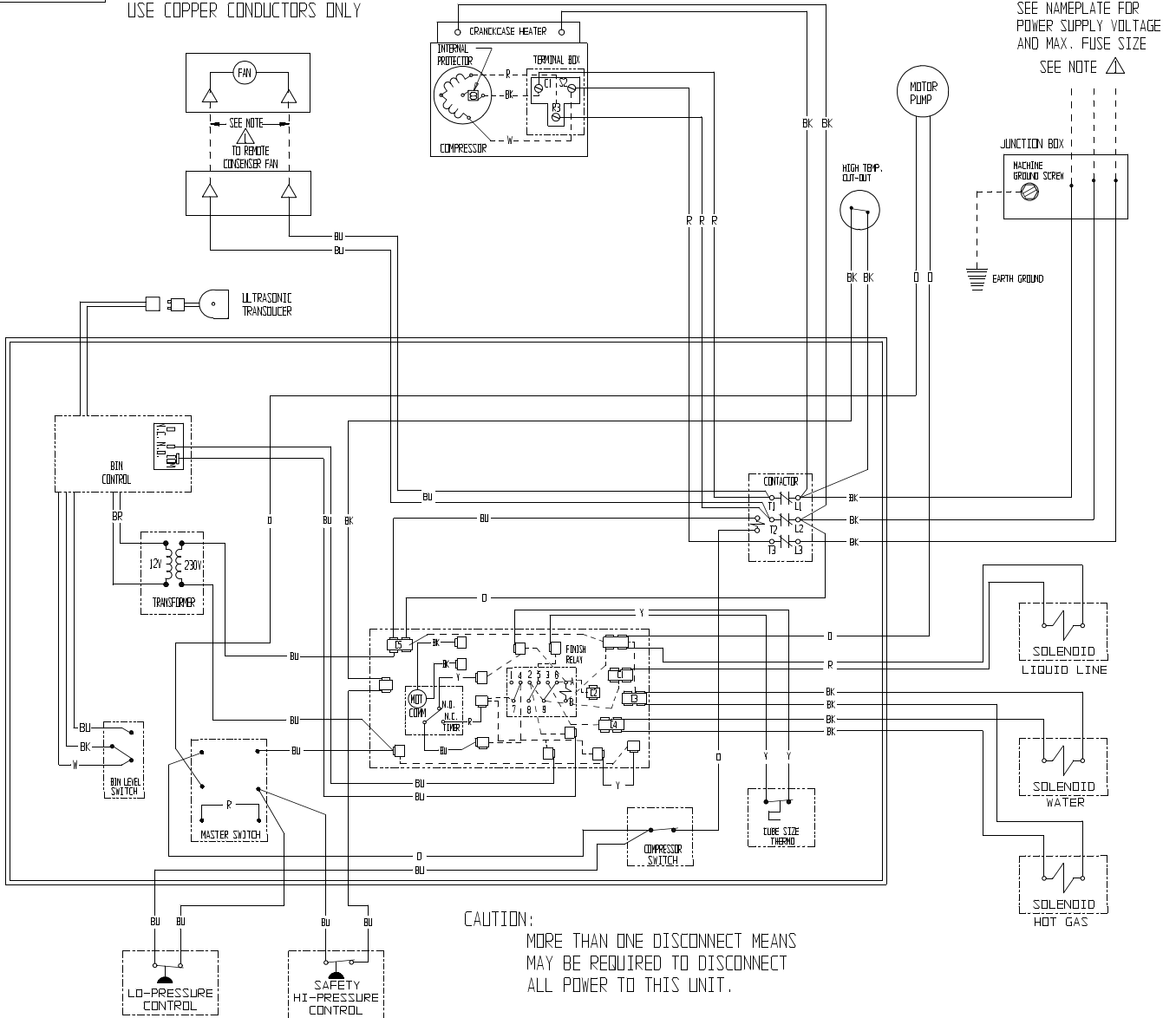
CMS1202R SERVICE PARTS

208-230/60/3

Remote Air Cooled

A35441-003

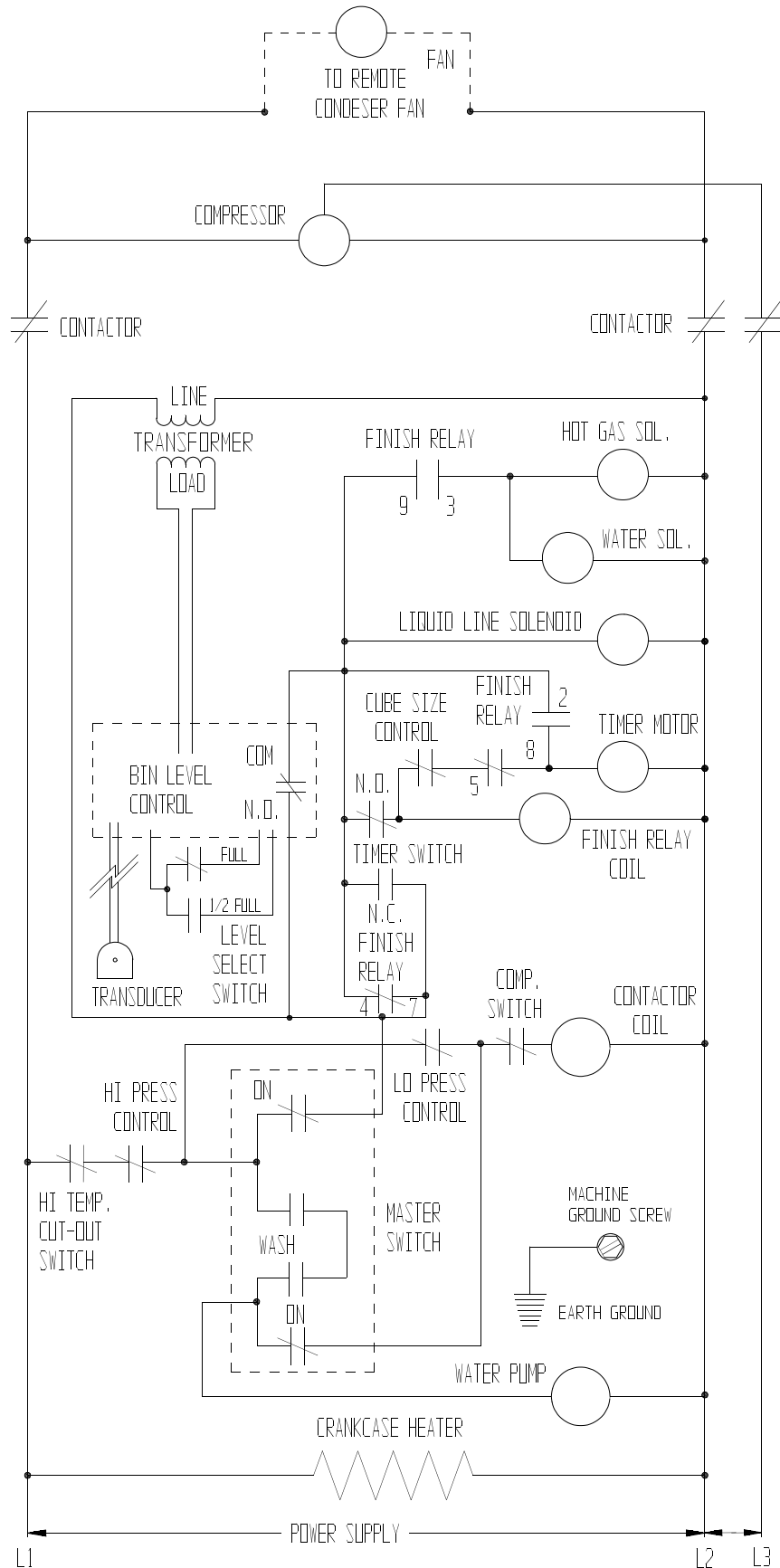
THIS UNIT MUST BE GROUNDED
USE COPPER CONDUCTORS ONLY



CMS1202R SERVICE PARTS

208-230/60/3

Remote Air Cooled



CMS1202R SERVICE PARTS

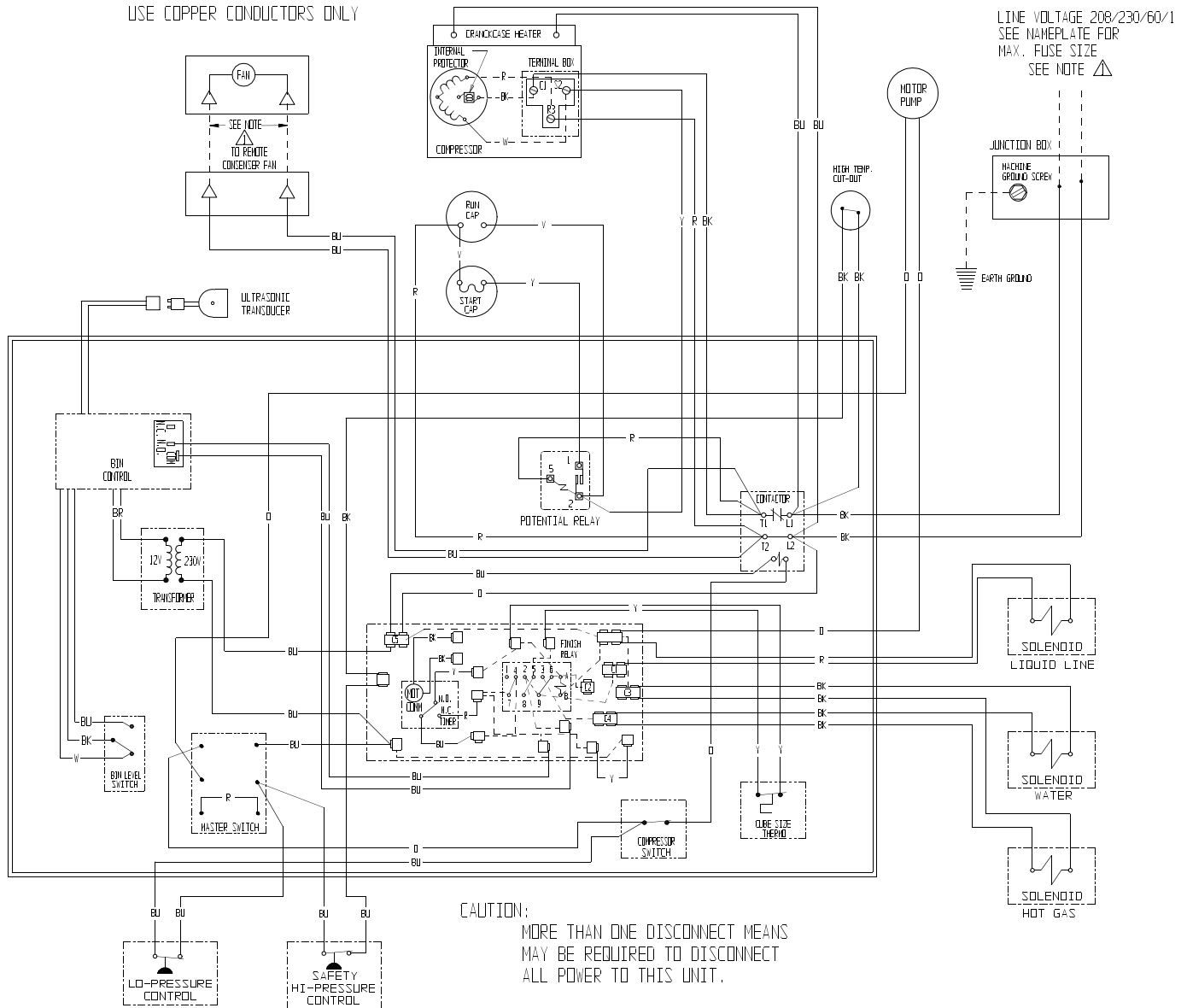
208-230/60/1

Remote Air Cooled

NOTE:
▲ DASHED LINES INDICATE FIELD WIRING WHICH MUST BE
INSTALLED IN ACCORDANCE WITH THE NATIONAL ELECTRICAL
CODE AND ALL STATE AND LOCAL CODES.

THIS UNIT SHOWN IN THE TIMED PORTION
OF THE FREEZING CYCLE

THIS UNIT MUST BE GROUNDED
USE COPPER CONDUCTORS ONLY



LINE VOLTAGE 208/230/60/1
SEE NAMEPLATE FOR
MAX. FUSE SIZE
SEE NOTE ▲

CAUTION:
MORE THAN ONE DISCONNECT MEANS
MAY BE REQUIRED TO DISCONNECT
ALL POWER TO THIS UNIT.

CMS1202R SERVICE PARTS

208-230/60/1

Remote Air Cooled

