

MCM860W SERVICE PARTS

This parts list contains the parts for the MCM860W. The model number of the machine is located on the ice machine in two places: on the back panel, and behind the front panel below the control box.

Check the model number to be certain of obtaining the correct parts.

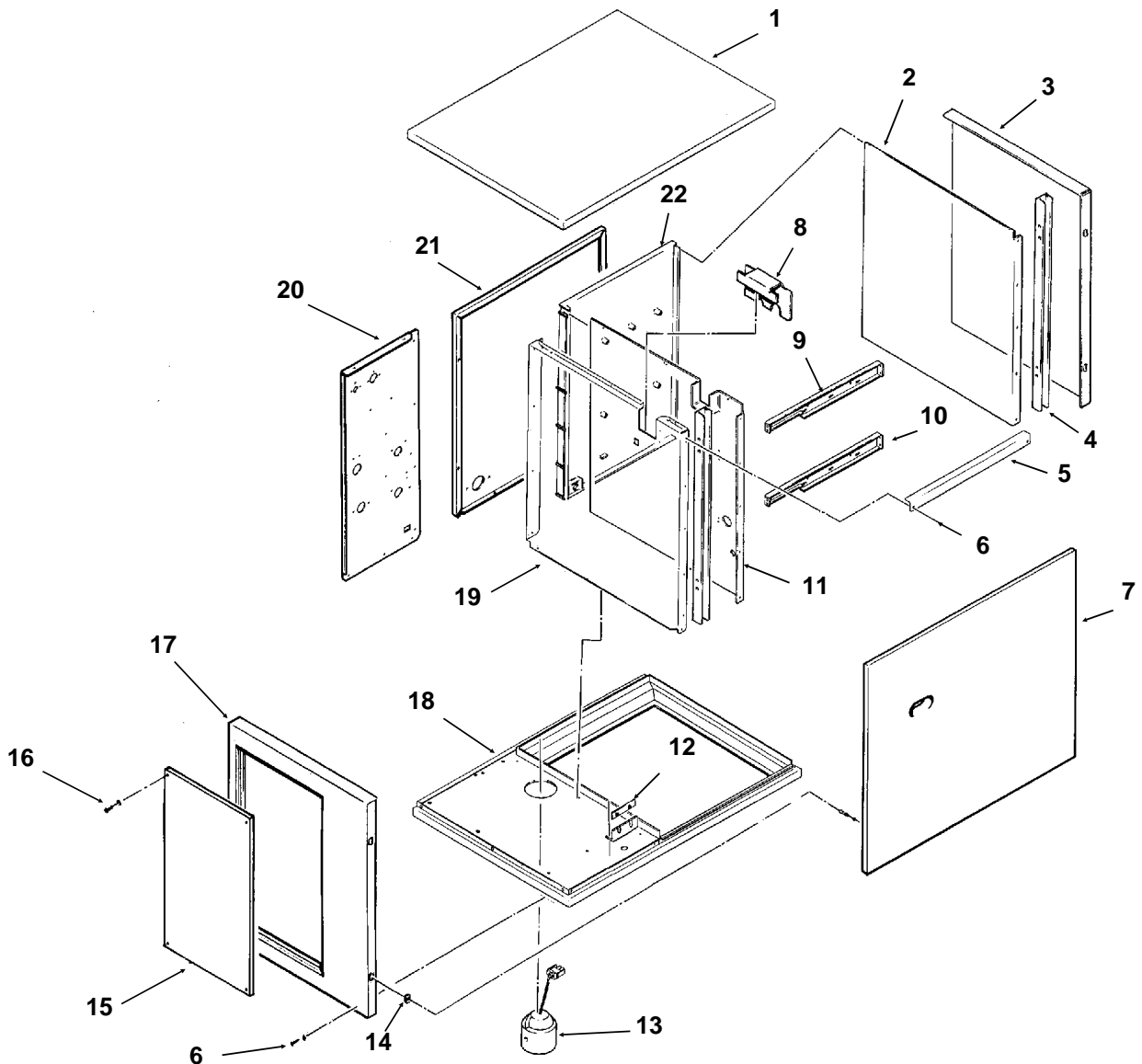
TABLE OF CONTENTS

Cabinet	Page 2
Refrigeration System	Page 3
Water System	Page 4
Control Box	Page 5
MDB560 Ice Storage Bin	Page 6
Wiring Diagrams	Page 7

MCM860W SERVICE PARTS

CABINET

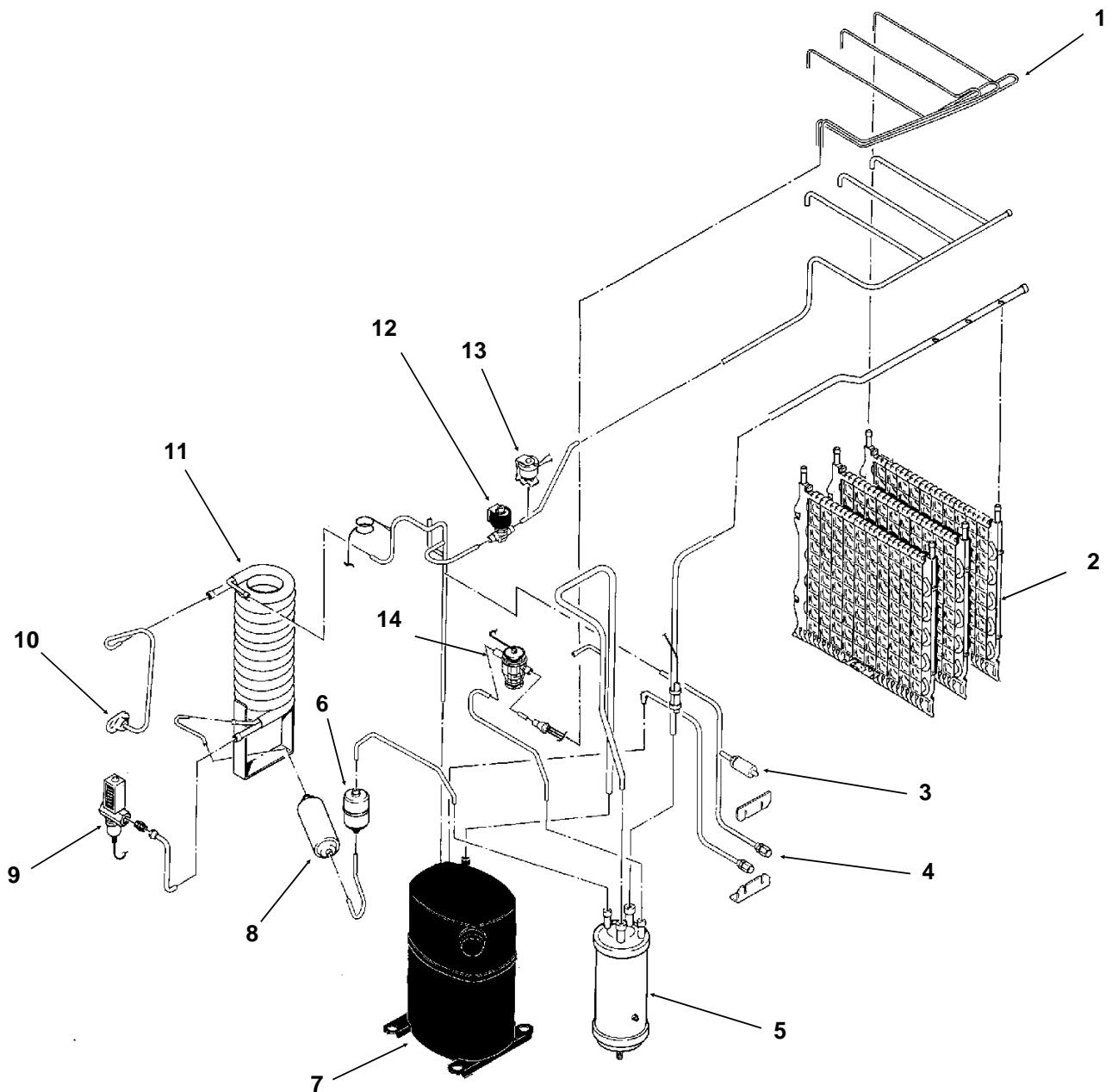
ITEM NUMBER	PART NUMBER	DESCRIPTION	ITEM NUMBER	PART NUMBER	DESCRIPTION
1	A32159-002	Top Panel, SS	12	A31461-001	Tube bracket
2	02-2887-02	Right Liner	13	A34908-021	Transducer
3	A35453-002	Right Side Panel, SS	14	02-0836-00	Catch
4	A32470-001	Brace	15	A34038-002	Service Panel
5	A32469-001	Upper cabinet brace	16	03-1404-12	Screw
6	03-1531-01	Screw	17	A32435-002	Left Side Panel
7	A34862-002	Front Panel	18	no number	Base Assembly
	15-0411-00	Strike for front panel	19	A32454-001	Retainer
	03-1406-04	Nut for strike	20	A34826-002	Back Panel
8	A32549-001	Flange retainer	21	A32452-002	Right Back Panel
9	A32587-001	Upper Evap. Brace	22	02-2888-02	Back Liner
10	A32467-001	Lower Evap. Brace			
11	02-2885-02	Left liner			



MCM860W SERVICE PARTS

REFRIGERATION SYSTEM

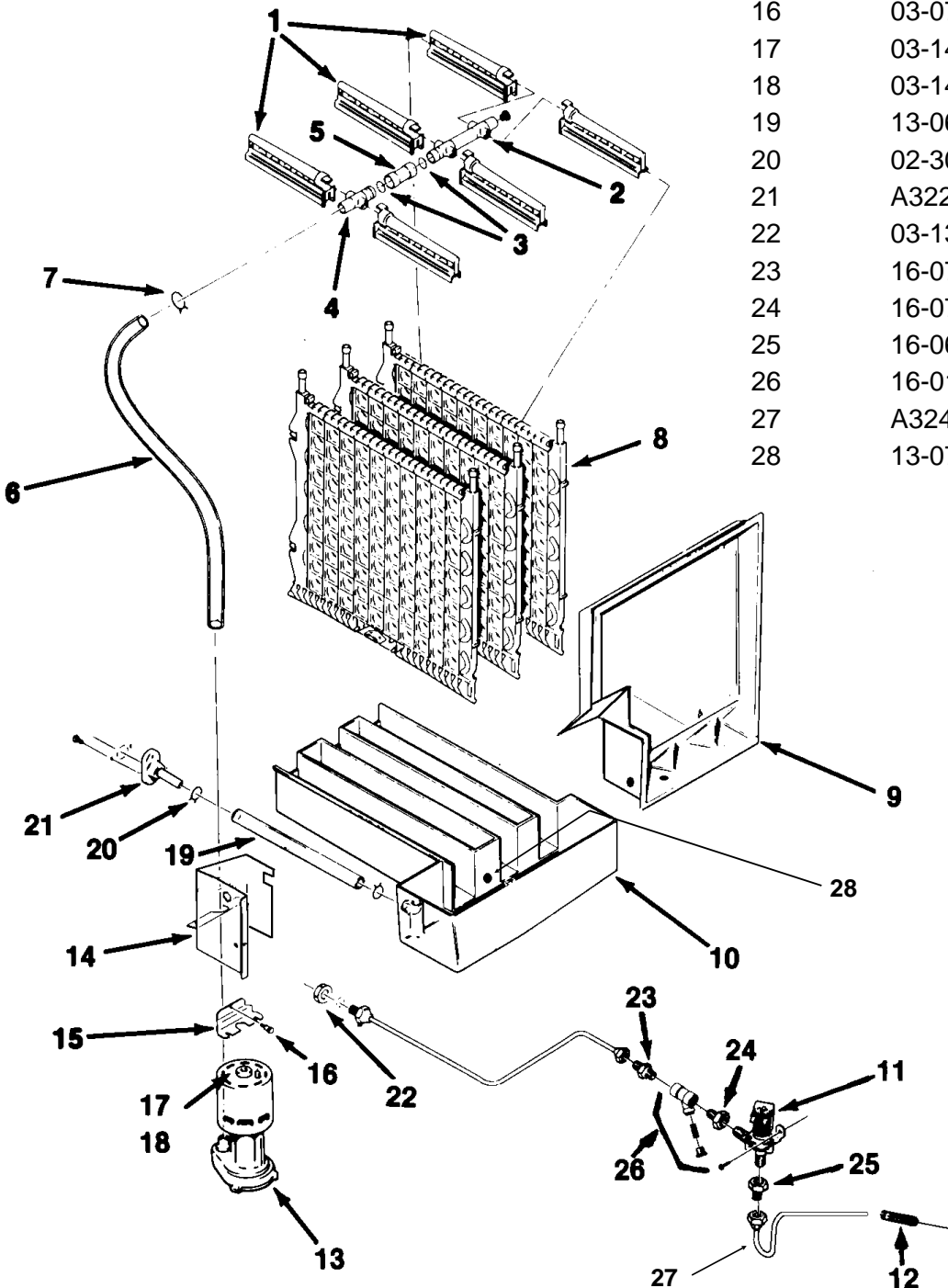
ITEM NUMBER	PART NUMBER	DESCRIPTION	ITEM NUMBER	PART NUMBER	DESCRIPTION
1	A34848-001	Evap. inlet assembly	8	02-2628-02	Receiver
2	A30296-020	Evaporator	9	11-0424-01	Water regulating valve
3	11-0463-21	Hi pressure control switch	10	A31828-003	Drain adaptor
4	16-0560-00	Valve core	11	18-8200-25	Water cooled condenser
	16-0563-00	Cap	12	12-2320-22	Hot gas valve
5	16-0801-21	Accumulator	13	12-2300-02	Hi temp cut out
6	02-3319-02	Filter dryer	14	16-0758-24	Thermo expansion valve
7	18-5900-03	Compressor 203-230/60/3		02-2920-01	Insulation for TXV (half)
	18-2200-27	Sleeve			
	18-2200-28	Grommet			
	03-1405-20	Screw			



MCM860W SERVICE PARTS

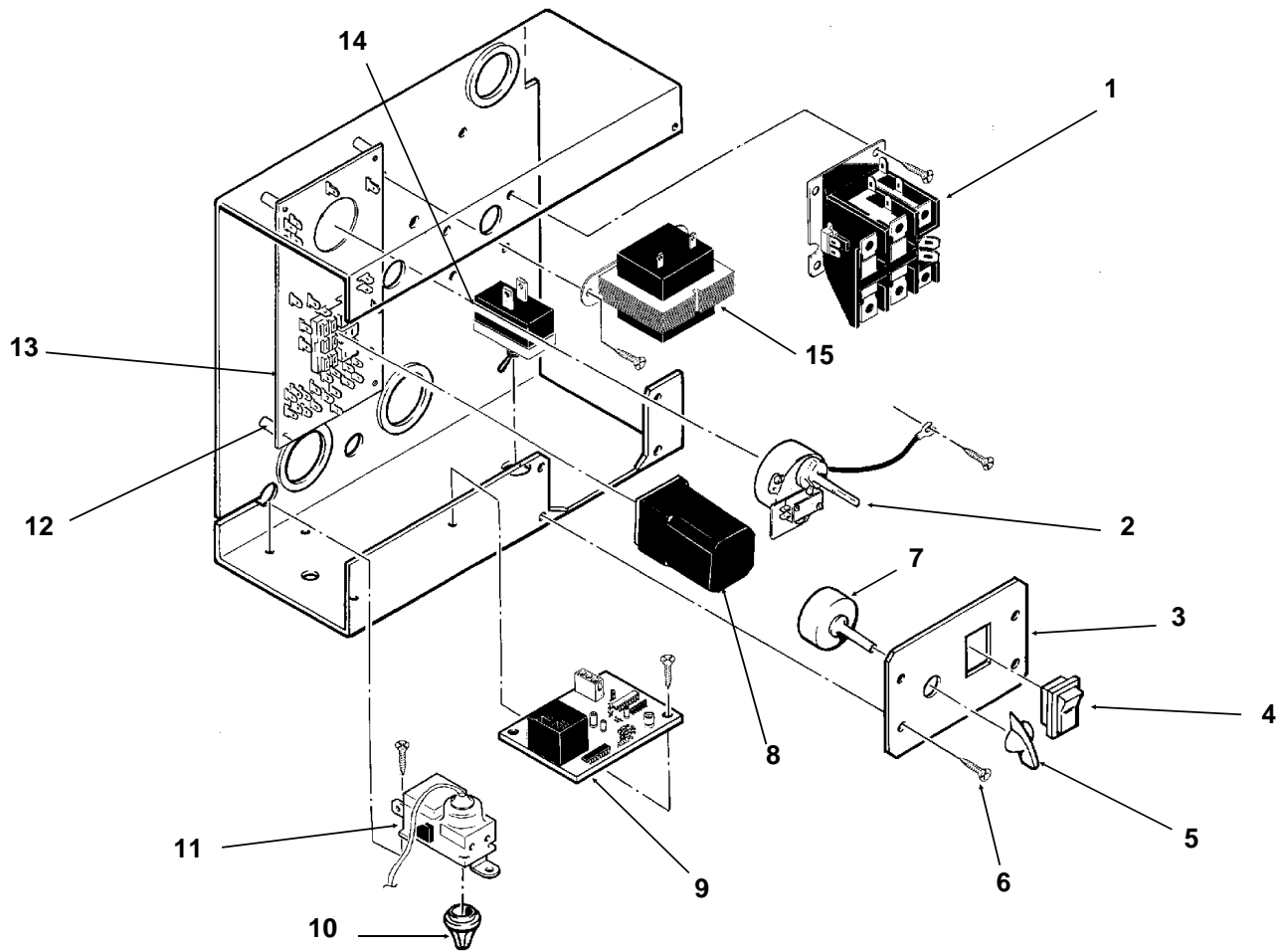
WATER SYSTEM

ITEM NUMBER	PART NUMBER	DESCRIPTION	ITEM NUMBER	PART NUMBER	DESCRIPTION
1	02-2527-01	Water Distributor Tube	8	A30296-020	Evaporator
2	02-2521-01	Water Manifold, long	9	02-2890-02	Evaporator Cover
3	13-0617-48	O-Ring	10	02-2889-02	Reservoir
4	A29703-001	Water Manifold, short	11	12-1646-10	Inlet Water Valve
5	02-2895-01	Water Restrictor	12	13-0674-01	Hose (3" needed)
6	13-0674-07	Tube (need 30")	13	12-2419-62	Water Pump
7	02-3094-01	Hose clamp	14	A32462-001	Housing, pump
			15	A32551-001	Bracket, pump
			16	03-0727-00	Thumb screw
			17	03-1406-05	Nut for top of pump
			18	03-1407-03	Washer for top of pump
			19	13-0674-07	Drain hose (16.5" needed)
			20	02-3094-01	Hose clamp
			21	A32202-003	Drain
			22	03-1394-01	Pal nut
			23	16-0791-01	Coupling (half union)
			24	16-0794-01	Adaptor
			25	16-0631-02	Connector, female
			26	16-0162-00	Strainer
			27	A32474-001	Inlet Tube
			28	13-0796-01	Reservoir Drain Cap



MCM860W SERVICE PARTS

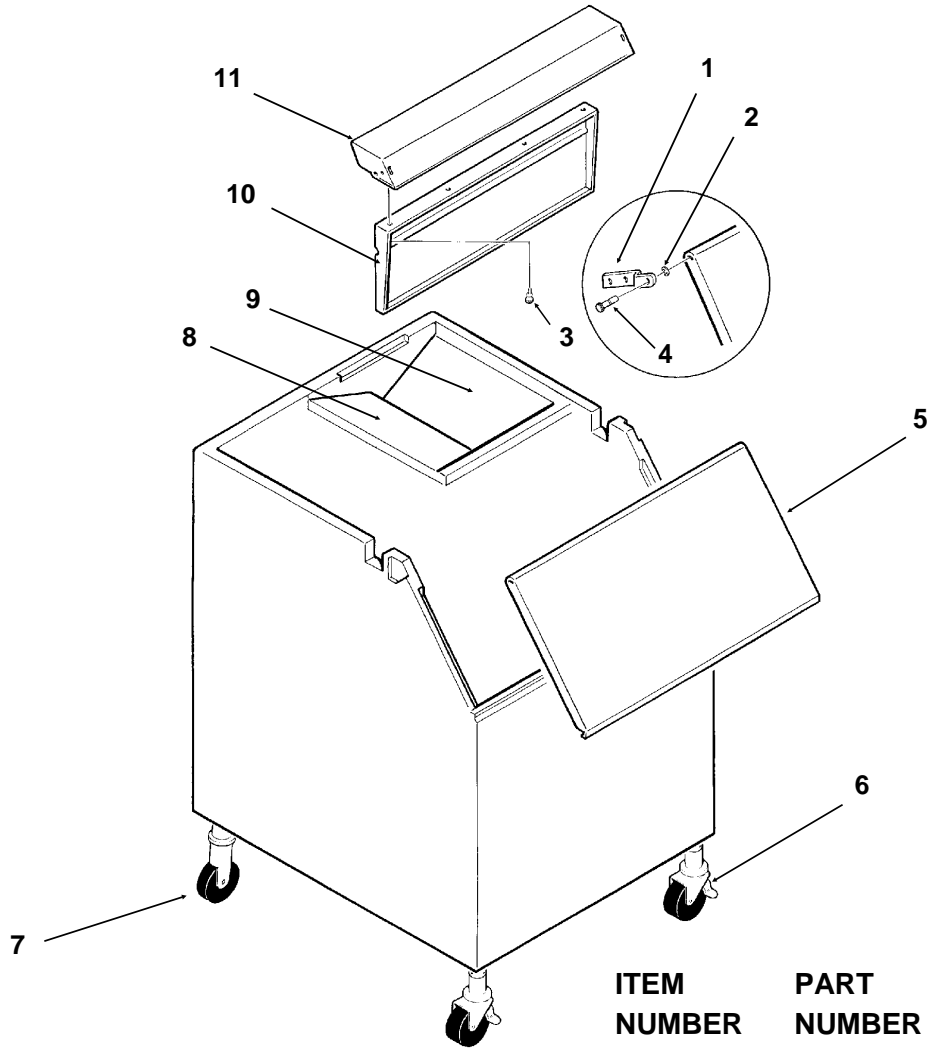
CONTROL BOX



ITEM NUMBER	PART NUMBER	DESCRIPTION
1	12-0739-02	Contactors 3 phase
2	12-2317-22	Timer and microswitch
3	A34880-001	Cover plate
4	12-2375-01	ON/OFF/WASH switch
5	02-3126-01	Knob
6	03-1638-03	Screw
7	12-2400-01	Selector switch, connects to item 9
8	12-1879-03	Relay
9	12-2376-21	Bin level control board
10	no number	Knob for cube size control, part of item 11
11	11-0437-21	Cube size control, includes knob
12	02-2242-02	Stand off
13	12-1912-01	Circuit board
14	12-0426-01	Compressor on off switch
15	12-2285-22	Transformer
Not Shown		
16	A34845-001	Control Box Cover
17	17-1961-01	Label for control box cover

MCM860W SERVICE PARTS

MDB560 ICE STORAGE BIN SERVICE PARTS



ITEM NUMBER	PART NUMBER	DESCRIPTION
1	02-3139-01	Hinge Bracket
2	03-1539-09	E Ring
3	03-0727-11	Thumb Screw
4	02-3139-01	Hinge Bracket
5	A34895-001	Bin Door
6	02-3111-01	Front Caster (swivel)
7	02-3110-01	Back Caster
8	A34926-001	Water Collector
9	A34927-001	Water Colector Tray
10	A34932-001	Baffle
11	A35021-020	Canopy Assy

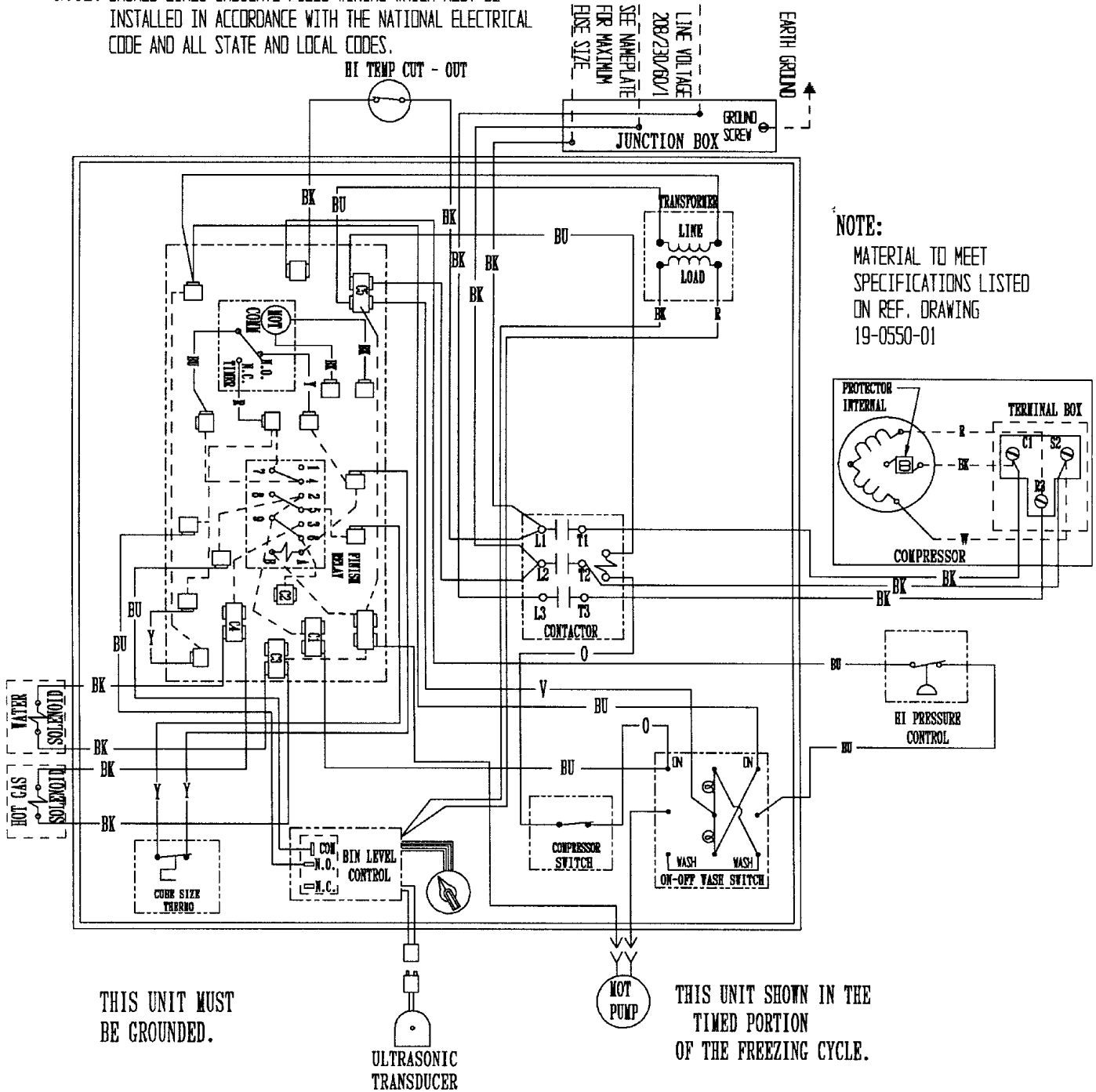
Not Shown:

12	19-0503-04	Bin Top Gasket (req. 104")
13	02-0540-01	Scoop
14	A34930-001	Scoop Holder
15	A34931-001	Bumper

MCM860W SERVICE PARTS

WIRING DIAGRAM 208-230/60/3

NOTE: DASHED LINES INDICATE FIELD WIRING WHICH MUST BE INSTALLED IN ACCORDANCE WITH THE NATIONAL ELECTRICAL CODE AND ALL STATE AND LOCAL CODES.

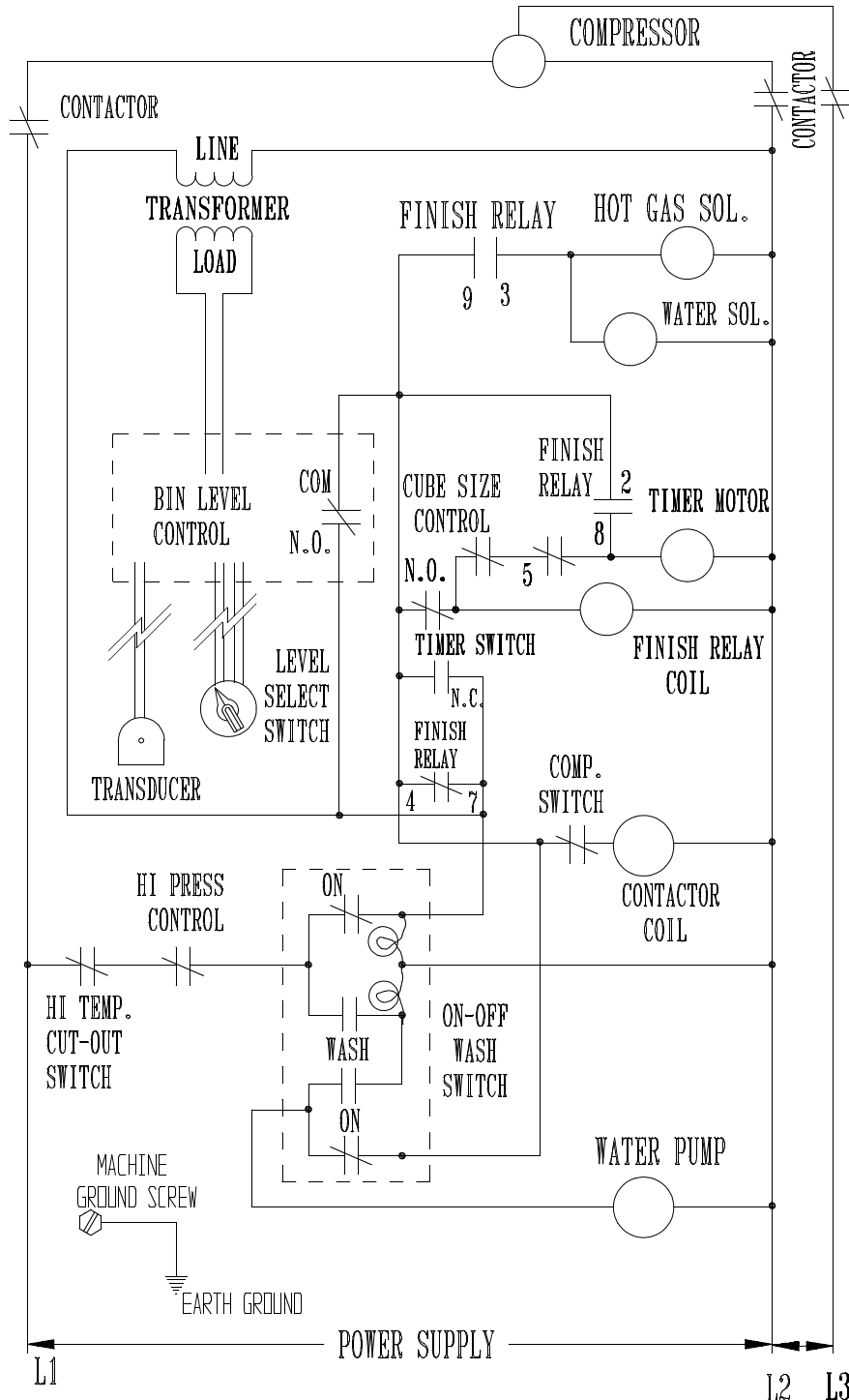


MCM860W SERVICE PARTS

SCHEMATIC DIAGRAM 208-230/60/3

CAUTION:

MORE THAN ONE DISCONNECT MEANS MAY BE REQUIRED TO DISCONNECT ALL POWER TO THIS UNIT.



USE COPPER CONDUCTORS ONLY