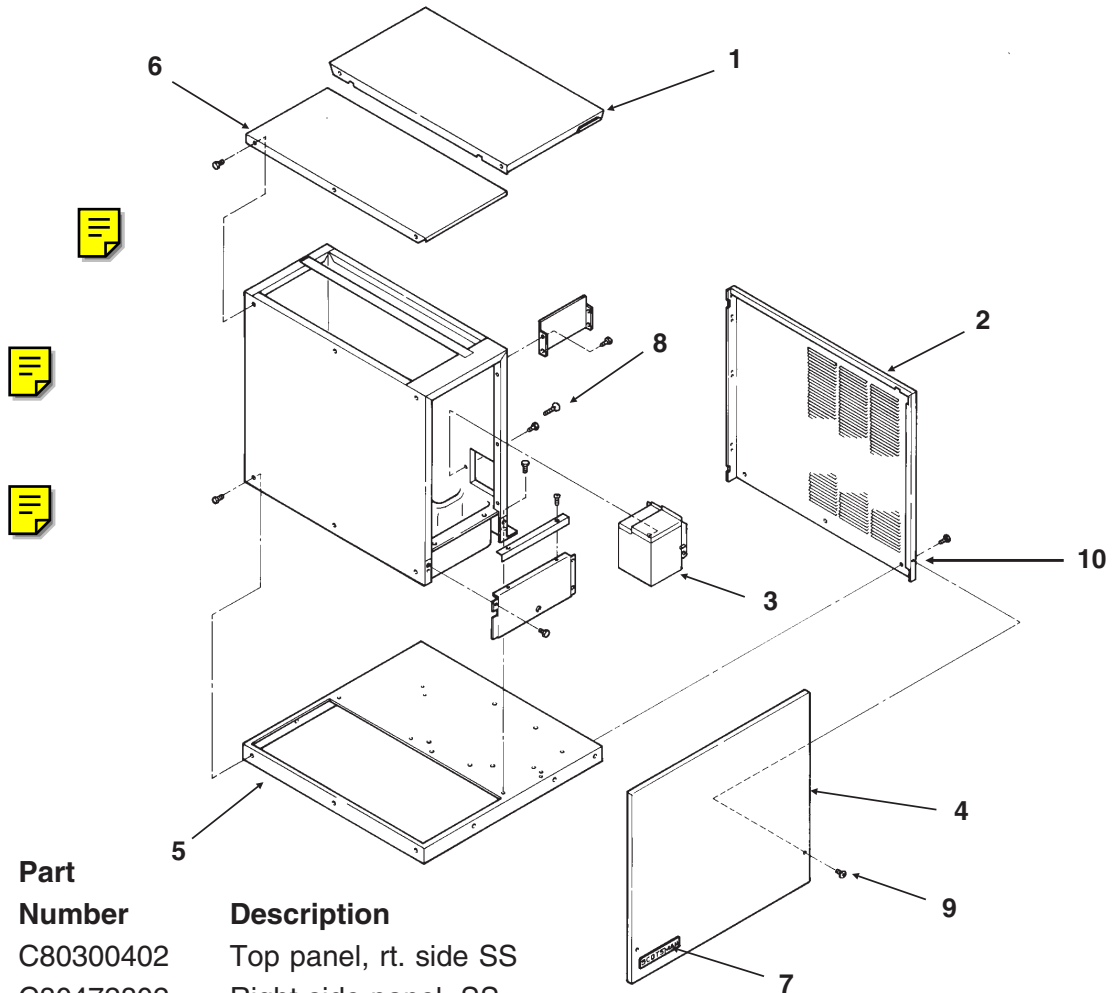


SLE400 Service Parts

Table of Contents

Cabinet	page 2
Air Cooled	page 3
Water Cooled	page 4
Freezing Compartment & Water System	page 5
Control Box	page 6
Bins	page 7
Wiring Diagram	page 8

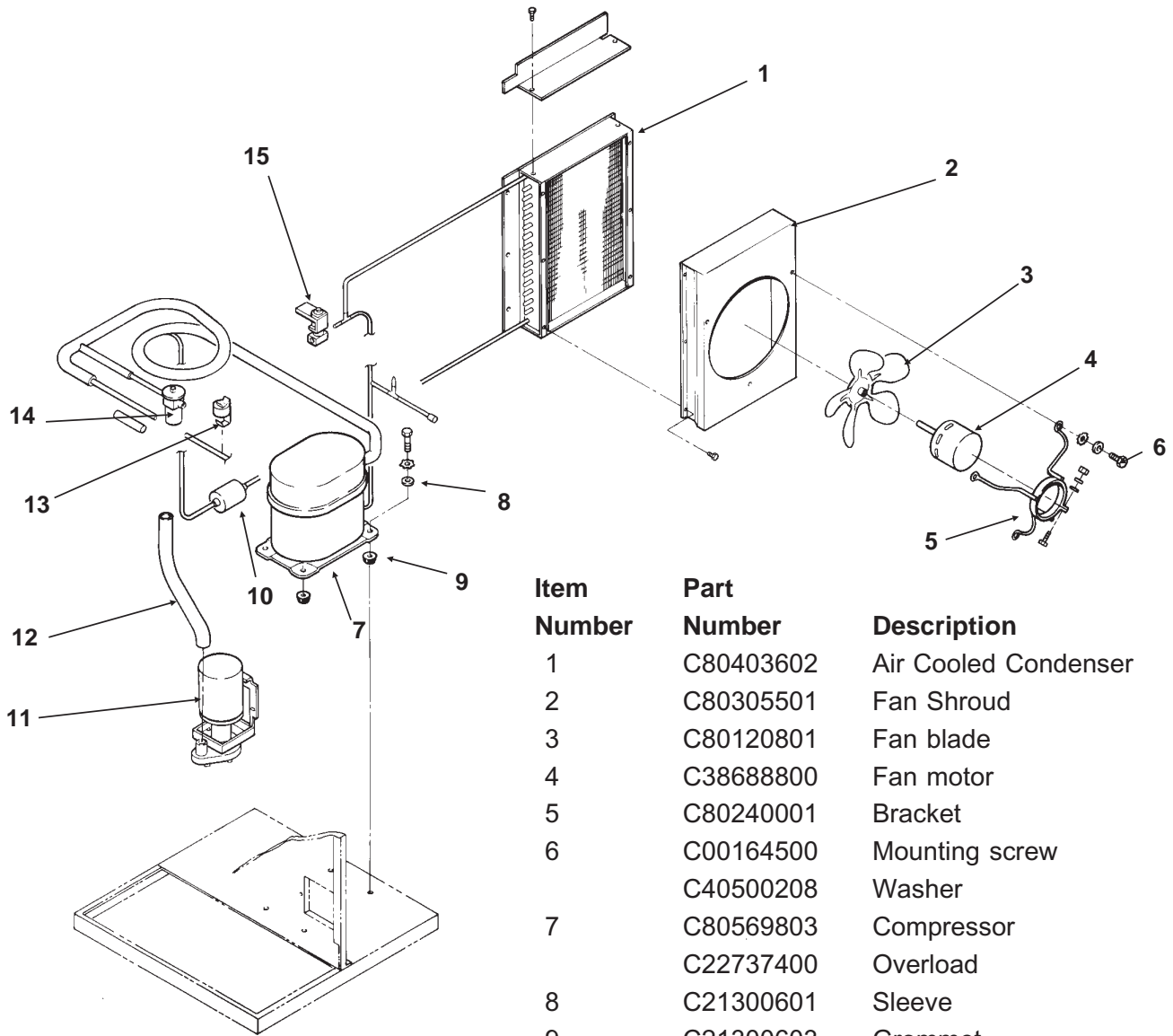
SLE400 Service Parts Cabinet



Item Number	Part Number	Description
1	C80300402	Top panel, rt. side SS
2	C80472802	Right side panel, SS
3	C80449201	Pump cover
4	C80316007	Front panel (flat) complete, SS
	C86695701	Front panel (rounded corners)
	C39902100	Gasket, order per foot. 49" req.
	C80306201	Liner
5	C80285402	Compressor deck, metal only
	C80317301	Base liner
6	C80304602	Top panel, lft side SS
7	C80559302	Emblem, grey
8	C44695102	Thumbscrew
9	C38990905	Screw
10	C43210900	Insert for front panel screw
Not Illustrated		
11	C35926400	Thumbscrew for bin thermo bracket
12	C34196202	Bin thermostat bracket

SLE400 Service Parts

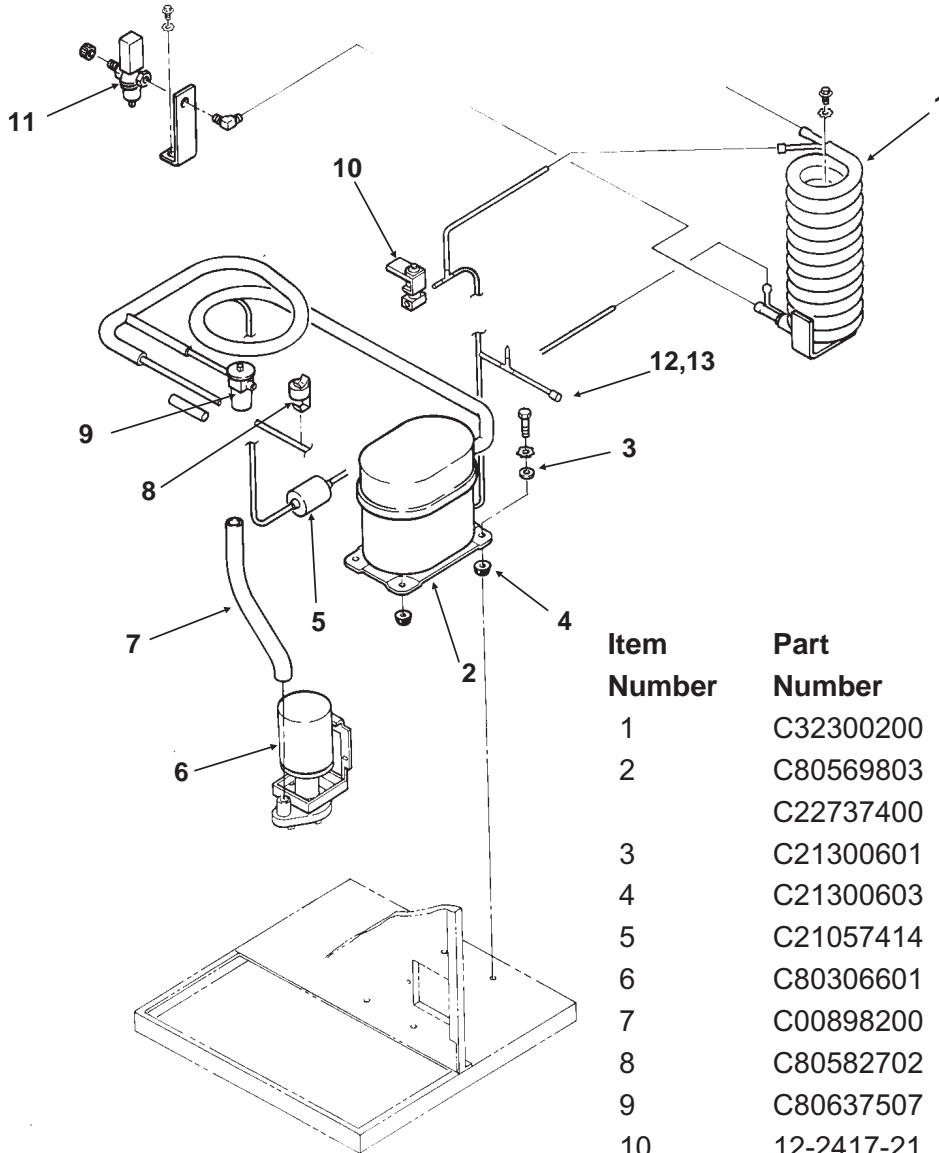
Air Cooled Refrigeration



Item Number	Part Number	Description
1	C80403602	Air Cooled Condenser
2	C80305501	Fan Shroud
3	C80120801	Fan blade
4	C38688800	Fan motor
5	C80240001	Bracket
6	C00164500	Mounting screw
	C40500208	Washer
7	C80569803	Compressor
	C22737400	Overload
8	C21300601	Sleeve
9	C21300603	Grommet
10	C21057414	Drier
11	C80306601	Water pump
12	C00898200	Tube
13	C80582702	Harvest termination thermostat
14	C80637507	Thermo Exp. Valve
15	12-2417-21	Hot gas valve body & coil

SLE400 Service Parts

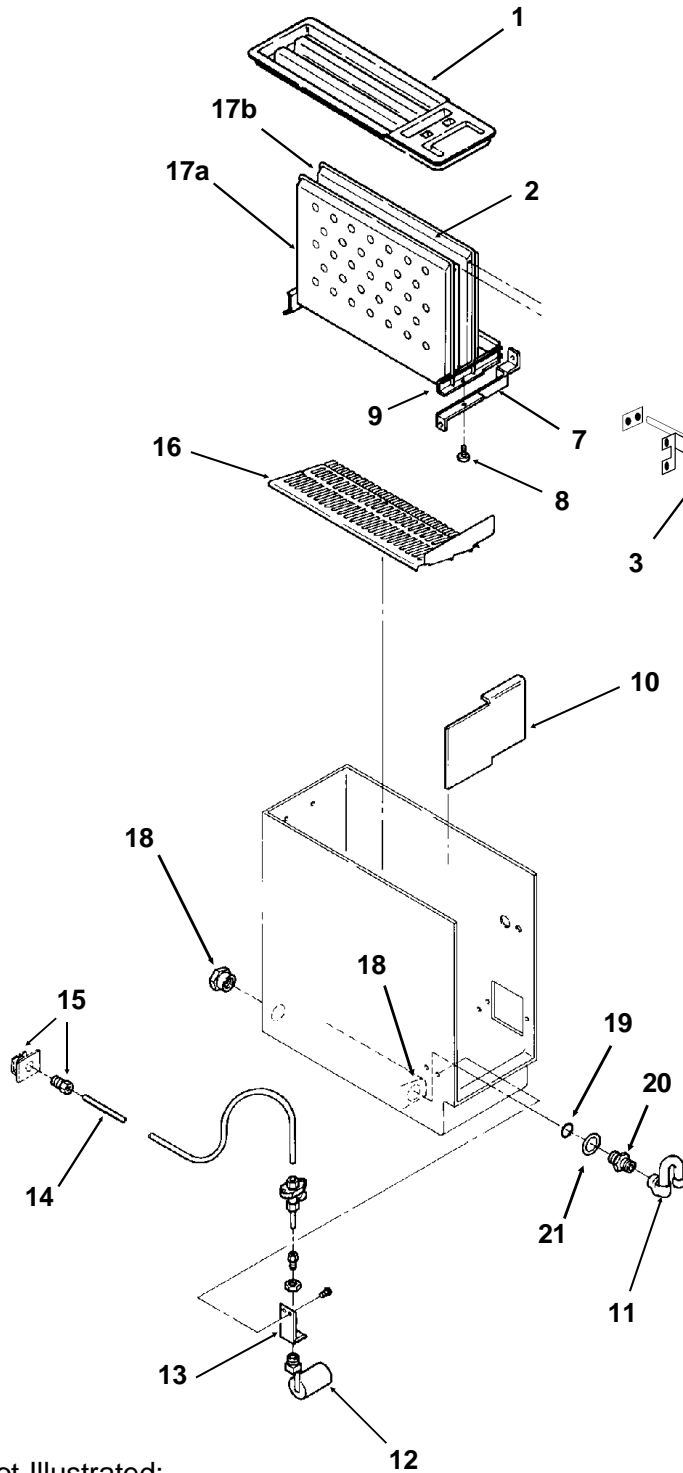
Water Cooled Refrigeration



Item Number	Part Number	Description
1	C32300200	Water cooled condenser
2	C80569803	Compressor
	C22737400	Overload
3	C21300601	Sleeve
4	C21300603	Grommet
5	C21057414	Drier
6	C80306601	Water pump
7	C00898200	Tube
8	C80582702	Harvest termination thermostat
9	C80637507	Thermo Exp. Valve
10	12-2417-21	Hot gas valve body & coil
11	C80585401	Water reg valve
12	C26541100	Schrader valve core
13	C32943500	Schrader valve cap

SLE400 Service Parts

Freezing Compartment & Water System



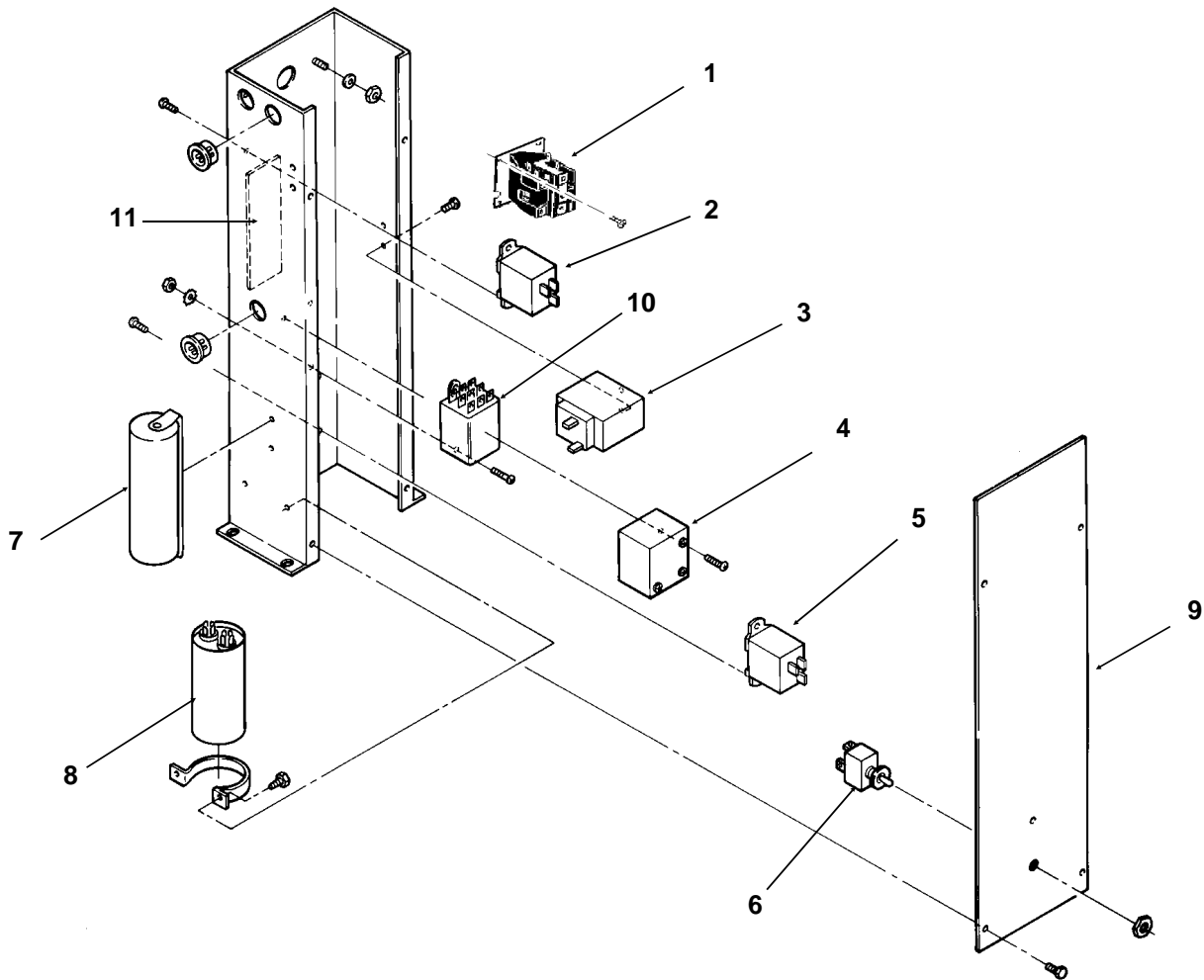
Item Number	Part Number	Description
1	C80307801	Water distributor pan
2	C80561501	Plastic tube stand-off (not shown, attached to left evap)
3	C90100100	Adjustment Bracket & Tube
4	C80562201	Ice thickness probe tube
5	C11800501	Ice size heater
6	C28037301	Ice size thermostat
7	C80304601	Front evap support
8	C35926400	Thumb screw
9	C80308001	Evap support assembly
10	C80315801	Splash shield
11	C80333401	Drain assembly complete
12	C80283601	Float valve
13	C80300901	Valve bracket
14	C44697000	Tubing, 1/4" poly
15	C80323901	Water inlet adapter
16	C80375001	Ice rack
17a	C80359604	Left evaporator
17b	C80359601	Middle or right Evaporator
18	C80451901	PVC Drain fitting
19	C80452101	Grommet
20	C80451801	Male connector
21	C80452001	Drain washer

Not Illustrated:

22	C80300801	Rt. side ice deflector
23	C01231300	Thumb nut
24	C80465201	Top evaporator bracket
25	C45688800	Refrigerant distributor
26	C80311301	Evap. inlet tube assy.
27	C80452301	Drain tube assembly Inc.#18

SLE400 Service Parts

Control Box



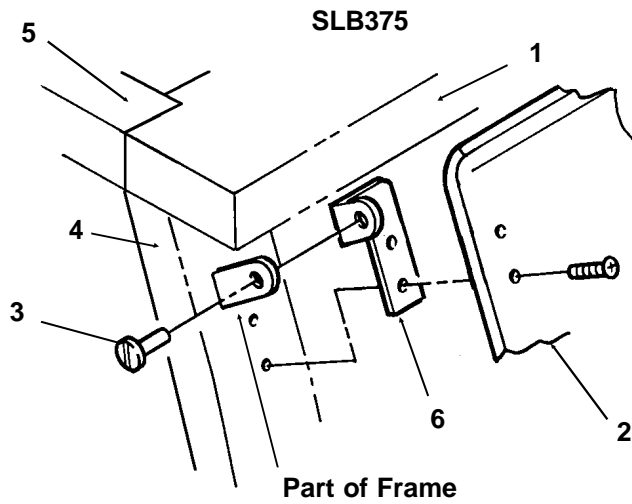
Item Number	Part Number	Description
1	C43216001	Contactor
2	C28037301	Ice size thermostat
3	C46297900	High pressure cut out - Water Cooled Only
4	C80193101	Compressor start relay
5	C80582201	Bin thermostat
6	C80012902	Ice/Off/Wash switch
7	C18381906	Start capacitor
8	C43753911	Run capacitor
9	C80315201	Control box cover upper section
10	C80324101	Harvest relay
11	C18223900	Terminal block

Not Illustrated:

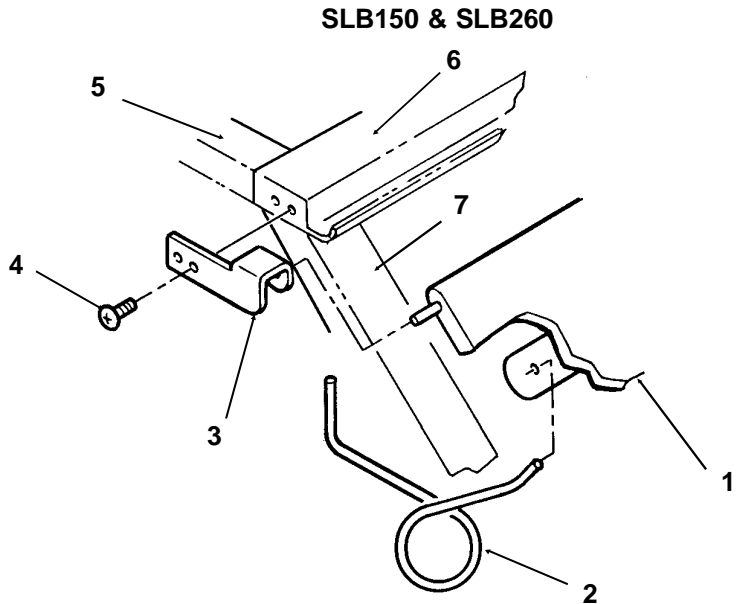
12	C47139709	Fan motor cord
13	12-2858-02	K1 Relay
14	C80306801	Control box cover, lower section

SLE400 Service Parts

Ice Storage Bins



Item Number	Part Number	Description
1	C80211705	Canopy
2	C80230902	Bin door assembly (includes hinge)
3	C80206901	Hinge pin
4	C80209504	Door frame assembly
5	19-0503-04	Gasket tape, 90"
6	C80206601	Hinge for door, rt
	C80206602	Hinge for door, lft
Not illustrated:		
7	C80399201	Clear button
8	C80511301	Baffle



Item Number	Part Number	Description
1	C19475304	Door Assembly
2	C19629100	Door spring
3	C80299602	Left door hinge
	C80299601	Right door hinge
4	C19632604	Hinge pin
5	19-0503-04	Gasket tape, 90"
6	C80307602	Canopy
7	C80309002	Door frame assy
SLB150 Only		
	C34196203	Bin thermo bracket

Drain Parts:

SLB375 and SLB260

Female fitting, pn C80205501

Male fitting, pn C80205301

Flanged hex nut, pn C80205401

SLB150

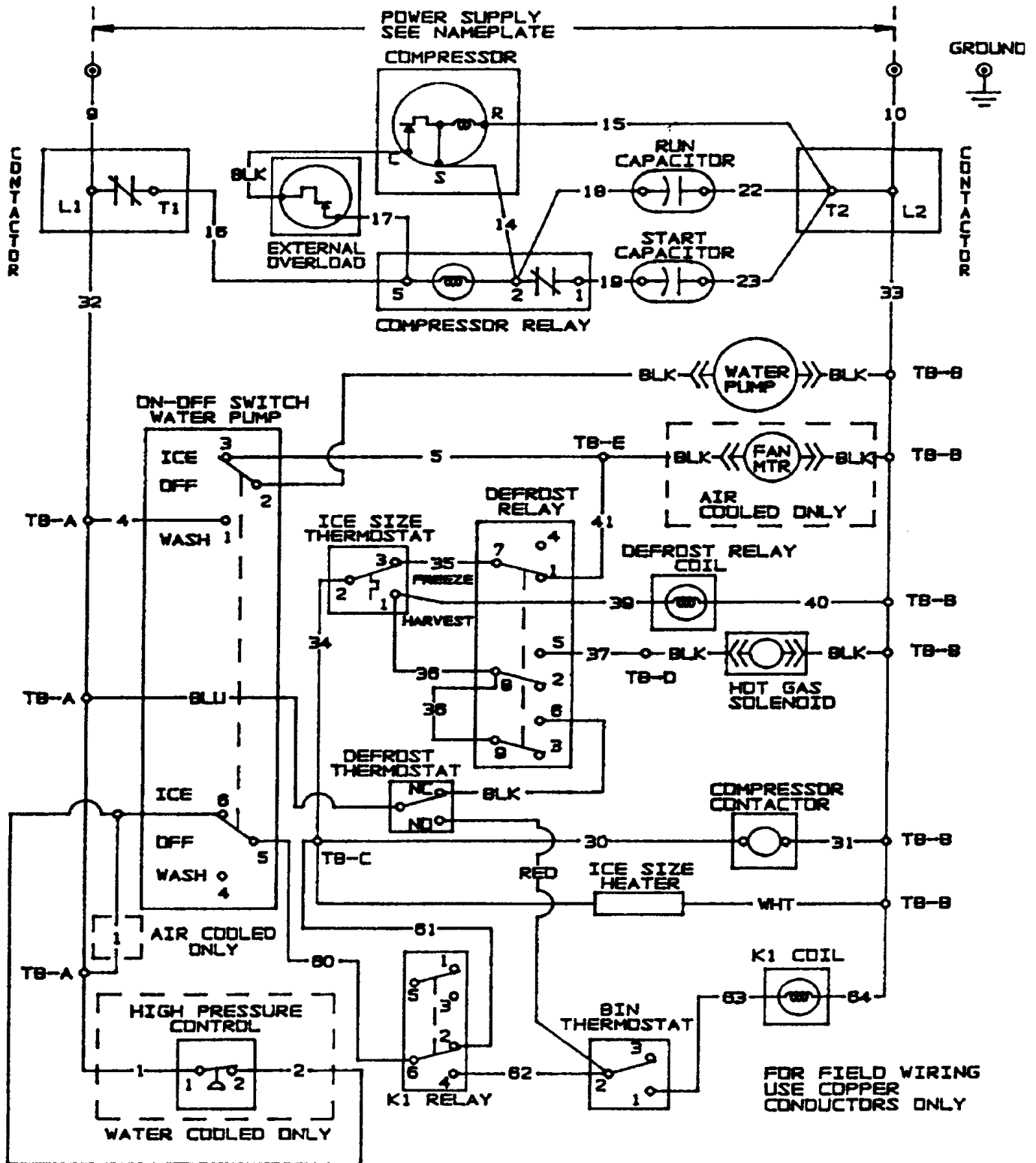
Drain fitting, pn C36619500

Drain cup, pn C36619600

Drain cap, pn C36619400

Leg Set is KLP2E
Scoop is PN 02-0540-00

SLE400 Service Parts Wiring Diagram



SCOTSMAN

Bulletin Number: PS - 10 - 97

Bulletin Date: May 1997

SERVICE BULLETIN

Subject: SLE300 and SLE400 Hot Gas Valve

The hot gas valve has been changed. The part numbers to use are:

- for all 115 volt machines - **12-2417-21**
- for the SLE400R (208 - 230 volts) - **12-2417-23**

All SLE300s and SLE400s mfg. after date code 09N have the new hot gas valve.

This new valve body has a smaller port size and results in about 10 PSIG lower suction pressure during harvest. There is no change to the typical length of the harvest cycle.

From this point forward, only use the 12-2417 type hot gas valve on SLE300 or SLE400 cubers.

When changing an evaporator because of a refrigerant leak, replace the hot gas valve at the same time.