



N0622 - 600lb Nugget Ice Machine

Prodigy Plus® Nugget Ice Machine

Superior performance with every cup.

Now the soft, chewable nugget ice that customers love is available with more innovative technology than ever before. With next-generation diagnostics like AutoAlert™ indicator lights on the new Scotsman Prodigy Plus® nugget ice machines, operators can help ensure superior performance while enjoying maximum efficiency — every day. And with features like advanced ice level control, a small operational footprint and easy-access service from the front panel, Prodigy Plus® nugget ice machines are the smart choice for today's busy food-service environments.



The Prodigy Plus® difference.

- The Original Chewable Ice®
- AutoAlert™ indicator lights for better visibility
- Operational footprint among the industry's smallest
- Industry-exclusive QR code instantly connects users to service information and warranty history
- Front-located air filter for more efficient operation
- Self-aligning front panel for easy access to key components
- Patented WaterSense purge control automatically reduces scale buildup
- Smart-Board™ advanced feature module available for additional diagnostic capabilities
- Optional Vari-Smart™ ice level control allows operators to customize ice levels
- Antimicrobial protection guards internal surfaces between cleanings
- A full range of water- and energy-saving features



24 Hour Volume Production

| Air Cooled | | Remote Cooled | | Water Cooled | |
|------------|-------|---------------|-----------|--------------|-----------|
| 70°F/21°C | Air | 90°F/32°C | 70°F/21°C | Air | 90°F/32°C |
| 50°F/10°C | Water | 70°F/21°C | 50°F/10°C | Water | 70°F/21°C |
| 643/292 | | 500/227 | 660/299 | 530/240 | 715/325 |
| lb/kg | | lb/kg | lb/kg | lb/kg | lb/kg |



Modular Bin & Dispenser Options

| Model Number* | Dimensions W" x D" x H" | Application Capacity lb/kg | AHRI Certified Bin Capacity lb/kg | Finish | Ship Weight lb/kg |
|---------------|-------------------------|----------------------------|-----------------------------------|-----------------|-------------------|
| B322S | 22 x 34 x 44** | 370/168 | 290/132 | Metallic | 140/64 |
| B530P | 30 x 34 x 44** | 536/244 | 420/191 | Poly | 150/68 |
| B530S | 30 x 34 x 44** | 536/244 | 420/191 | Metallic | 110/50 |
| ID150 | 22 x 30 x 35.625 | 150/68 | - | Stainless Steel | 150/68 |
| ID200 | 30 x 30 x 35.625 | 200/91 | - | Stainless Steel | 195/89 |
| ID250 | 30 x 30 x 39.625 | 250/114 | - | Stainless Steel | 200/91 |

*Contact Scotsman for bin top requirements. **Add 6" Height for bin legs.



B530S



ID200



Nugget Ice



The Original Chewable Ice™! Soft ice ideal for fountain beverages and blended fruit drinks.



Certification



Warranty

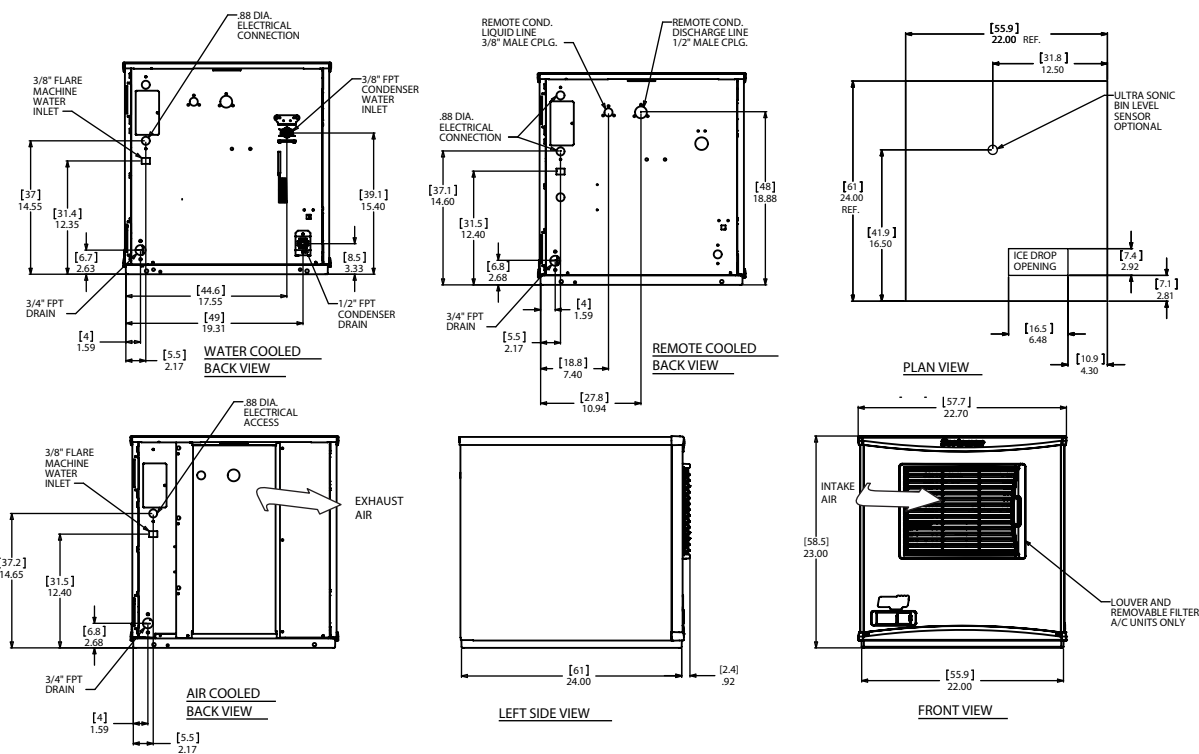
- 3 years parts and labor on all components.
- 5 years parts on the compressor.

Warranty valid in North, South & Central America. Contact factory for warranty in other regions.



N0622 - 600lb Nugget Ice Machine

Prodigy Plus® Nugget Ice Machine



Specifications

| Model Number | Condenser Unit | Basic Electrical Volts/Hz/Phase | Max. Fuse Size or HACR Circuit Breaker (amps) | Circuit Wires | Min. Circuit Ampacity | Energy Consumption kWh/100 lb (45.4 kg) 90°F(32°C)/70°F(21°C) | Water Usage Gallons/100 lb (liters/45.4 kg) | | Energy Star® |
|--------------|----------------|---------------------------------|---|---------------|-----------------------|---|---|---------------------------------|--------------|
| | | | | | | | Potable 90°F(32°C)/70°F(21°C) | Condenser 90°F(32°C)/70°F(21°C) | |
| N0622A-1 | Air | 115/60/1 | 25 | 2 | 18.3 | 5.3 | 12.0/45.5 | - | |
| N0622R-1 | Remote | 115/60/1 | 25 | 2 | 19.4 | 5.6 | 12.0/45.5 | - | |
| N0622W-1 | Water | 115/60/1 | 25 | 2 | 16.7 | 4.4 | 12.0/45.5 | 102/386.7 | |
| N0622A-32 | Air | 208-230/60/1 | 15 | 2 | 9.8 | 5.3 | 12.0/45.5 | - | |



All Models

Dimensions (W x D x H):

Unit: 22.9" x 24" x 23"
(58.2 x 61.0 x 58.4 cm)

Shipping Carton: 25.5" x 27.5" x 28.5"
(64.8 x 69.9 x 72.4 cm)

Shipping Weight: 172 lb / 78 kg BTUs per hour: 7,100

Refrigerant: R-404A



Accessories

| Model Number | Description |
|--------------|---|
| KVS | Vari-Smart™ Ice Level Control - Program ice bin levels to match ice needs. |
| KSBU | Smart-Board™ Advanced Control - Use additional operational data for fast diagnosis. |
| KSBU-N | Smart-Board™ Advanced Control with Network - Network capable. |
| ERC111-1A | Remote condenser for N0622R, 115V/60/1 - |
| RTE10 | Line set, pre-charged, R404A, 10ft. |
| RTE25 | Line set, pre-charged, R404A, 25ft. |
| RTE40 | Line set, pre-charged, R404A, 40ft. |
| RTE75 | Line set, pre-charged, R404A, 75ft. |
| KPAS | Prodigy Advanced Sustainability Kit - Includes KVS and KSBU - N |

Scotsman recommends all ice machines have water filtration. See Scotsman water filter specification sheet for details.



Operating Requirements

| | Minimum | Maximum |
|--------------------|-------------------|-------------------|
| Air Temperatures | 50°F (10°C) | 100°F (38°C) |
| Water Temperatures | 40°F (4.4°C) | 100°F (38°C) |
| Remote Cond. Temps | -20°F (-29°C) | 120°F (49°C) |
| Water Pressures | 20 PSIG (1.4 bar) | 80 PSIG (5.5 bar) |
| Electrical Voltage | -10% | +10% |

Specifications and design are subject to change without notice.