



# N0922 - 900lb Nugget Ice Machine

Prodigy Plus® Nugget Ice Machine

## Superior performance with every cup.

Now the soft, chewable nugget ice that customers love is available with more innovative technology than ever before. With next-generation diagnostics like AutoAlert™ indicator lights on the new Scotsman Prodigy Plus® nugget ice machines, operators can help ensure superior performance while enjoying maximum efficiency — every day. And with features like advanced ice level control, a small operational footprint and easy-access service from the front panel, Prodigy Plus® nugget ice machines are the smart choice for today's busy food-service environments.



## The Prodigy Plus® difference.

- The Original Chewable Ice®
- AutoAlert™ indicator lights for better visibility
- Operational footprint among the industry's smallest
- Industry-exclusive QR code instantly connects users to service information and warranty history
- Front-located air filter for more efficient operation
- Self-aligning front panel for easy access to key components
- Smart-Board™ advanced feature module available for additional diagnostic capabilities
- Optional Vari-Smart™ ice level control allows operators to customize ice levels
- Antimicrobial protection guards internal surfaces between cleanings
- A full range of water- and energy-saving features

N0922 - 900lb Nugget Ice Machine



## 24 Hour Volume Production

Air Cooled		Remote Cooled		Water Cooled	
70°F/21°C 50°F/10°C	Air Water	90°F/32°C 70°F/21°C	70°F/21°C 50°F/10°C	Air Water	90°F/32°C 70°F/21°C
956/438 lb/kg		765/345 lb/kg	1044/474 lb/kg	835/379 lb/kg	1094/496 lb/kg



## Modular Bin & Dispenser Options



B948S

Model Number*	Dimensions W" x D" x H"	Application Capacity lb/kg	AHRI Certified Bin Capacity lb/kg	Finish	Ship Weight lb/kg
B530P	30 x 34 x 44**	536/244	420/191	Poly	150/68
B530S	30 x 34 x 44**	536/244	420/191	Metallic	110/50
B842S	42 x 34 x 44**	778/353	610/277	Metallic	185/84
B948S	48 x 34 x 44**	893/406	700/319	Metallic	220/100
ID200	30 x 30 x 35.625	200/91	-	Stainless Steel	195/89
ID250	30 x 30 x 39.625	250/114	-	Stainless Steel	200/91

\*Contact Scotsman for bin top requirements. \*\*Add 6" Height for bin legs.



## Nugget Ice



The Original Chewable Ice™! Soft ice ideal for fountain beverages and blended fruit drinks.



## Certification



## Warranty

- 3 years parts and labor on all components.
- 5 years parts on the compressor.

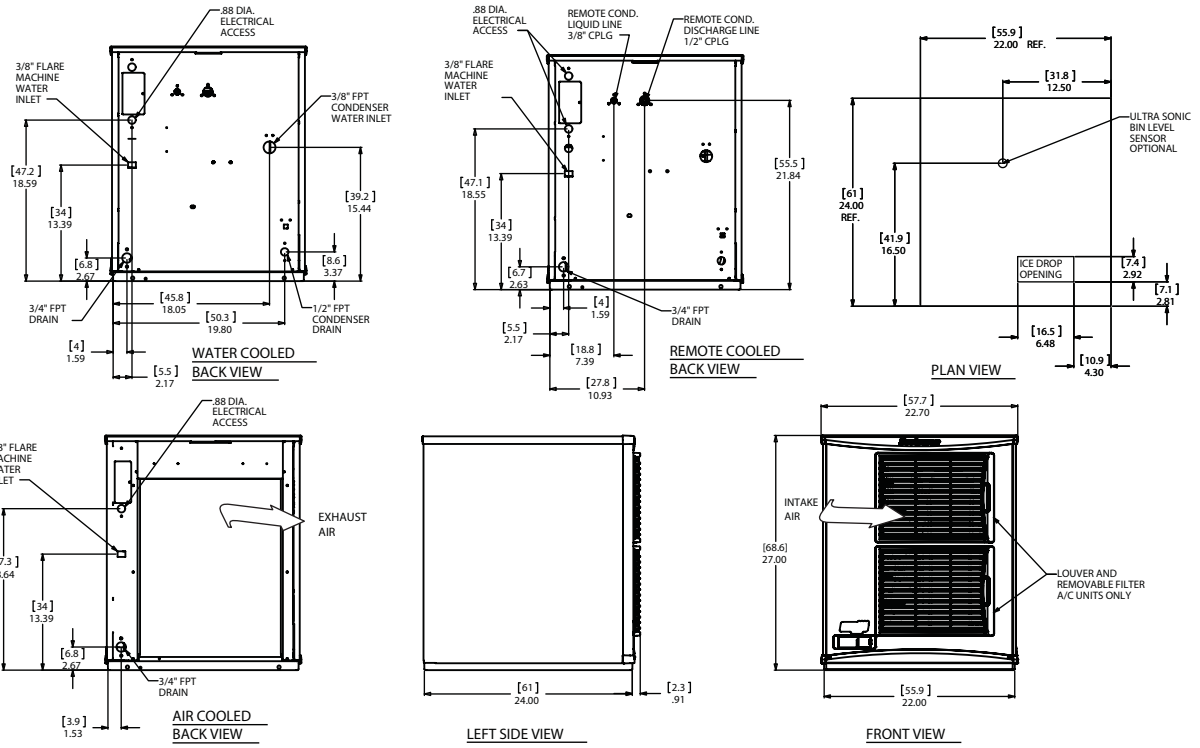
Warranty valid in North, South & Central America. Contact factory for warranty in other regions.



# N0922 - 900lb Nugget Ice Machine

## Prodigy Plus® Nugget Ice Machine

N0922 - 900lb Nugget Ice Machine



### Specifications

Model Number	Condenser Unit	Basic Electrical Volts/Hz/Phase	Max. Fuse Size or HACR Circuit Breaker (amps)	Circuit Wires	Min. Circuit Ampacity	Energy Consumption kWh/100 lb (45.4 kg) 90°F(32°C)/70°F(21°C)	Water Usage Gallons/100 lb (liters/45.4 kg)		Energy Star®
							Potable	Condenser	
N0922A-32	Air	208-230/60/1	15	2	12.5	4.7	12.0/45.5	-	★
N0922R-32	Remote	208-230/60/1	15	2	12.3	4.0	12.0/45.5	-	★
N0922W-32	Water	208-230/60/1	15	2	11.3	3.7	12.0/45.5	125/473.9	



### All Models

**Dimensions (W x D x H):**

Unit: **Individual**  
22.9" x 24" x 27"  
(58.2 x 61.0 x 68.6 cm)

**Side by Side**  
45.8" x 24" x 27"  
(116.3 x 61.0 x 68.6 cm)

Shipping Carton: 25.5" x 27.5" x 32.5"  
(64.8 x 69.9 x 82.6 cm)

Shipping Weight: 210 lb / 95 kg      BTUs per hour: 10,500

Refrigerant: R-404A



### Accessories

Model Number	Description
KVS	Vari-Smart™ Ice Level Control - Program ice bin levels to match ice needs.
KSBU	Smart-Board™ Advanced Control - Use additional operational data for fast diagnosis.
KSBU-N	Smart-Board™ Advanced Control with Network - Network capable.
ERC311-1A	Remote condenser for N0922R, 115V/60/1
RTE10	Line set, pre-charged, R404A, 10ft.
RTE25	Line set, pre-charged, R404A, 25ft.
RTE40	Line set, pre-charged, R404A, 40ft.
RTE75	Line set, pre-charged, R404A, 75ft.
KPAS	Prodigy Advanced Sustainability Kit - Includes KVS and KSBU - N

Scotsman recommends all ice machines have water filtration. See Scotsman water filter specification sheet for details.



### Operating Requirements

	Minimum	Maximum
Air Temperatures	50°F (10°C)	100°F (38°C)
Water Temperatures	40°F (4.4°C)	100°F (38°C)
Remote Cond. Temps	-20°F (-29°C)	120°F (49°C)
Water Pressures	20 PSIG (1.4 bar)	80 PSIG (5.5 bar)
Electrical Voltage	-10%	+10%

Specifications and design are subject to change without notice.

