

EVAPORATOR REPLACEMENT INSTRUCTIONS

GBR00148, GBR00153 and GBR00167 EVAPORATOR KITS

CAUTION:

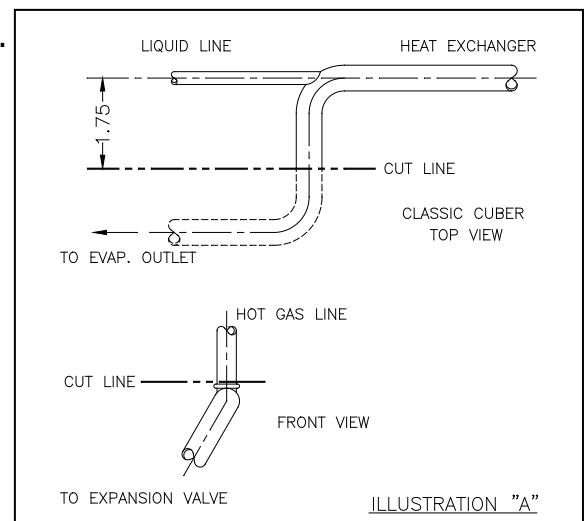
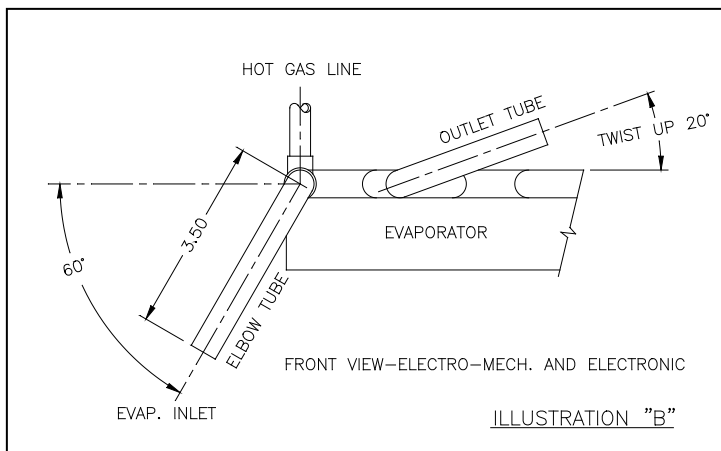
RISK OF PERSONAL INJURY, PROPERTY DAMAGE, EQUIPMENT FAILURE OR FIRE.

- Refer all maintenance to qualified personnel.
- Disconnect power before servicing equipment.
- Read all instructions and understand your particular model requirements before proceeding.
- Protect all components that could be damaged by the brazing operations, required by this procedure. This includes, but is not limited to, the water plate, tank, expansion valve, tube insulation, pump, hinges, water valve and wiring in all models and printed circuit boards in some models.
If these parts cannot be protected, then move them away from the brazing operation as required.

1. Lower the water plate to the full open position. Remove or protect it from heat.
2. Remove actuator and cold water thermostat capillary tubes (electro-mechanical and classic) or evaporator probe (electronic) from the bulb well on the evaporator. Also, remove the expansion valve bulb from the evaporator.
3. Recover the refrigerant from the unit.
4. Separate the expansion valve from the evaporator inlet tube.
5. On electro-mechanical and electronic models, separate the suction tube from the evaporator outlet tube by heating the brazed joint. On Classic models, cut the suction tube as shown in Illustration "A".
6. Separate the defrost (hot gas) tube from the evaporator inlet tube by cutting the defrost tube just above the bead, as shown in Illustration "A". Note- if the defrost tube connection to the evaporator is made using a tee, then separate the defrost tube by heating the joint.
7. Locate the four screws holding the evaporator to the support channels. Remove the screws, while supporting the evaporator, and remove the evaporator from the unit.
8. Prepare the new evaporator for installation as follows:

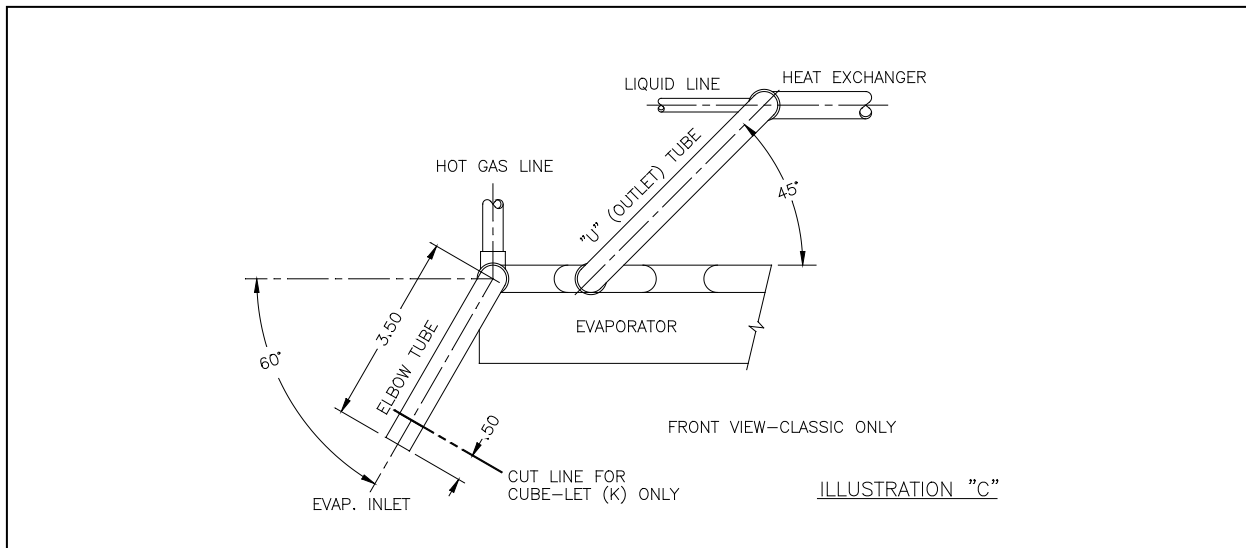
On electro-mechanical and electronic models-

- a. Twist the evaporator outlet tube up approx. 20 deg. from horizontal as shown in Illustration "B".
- b. Position the tee and elbow tube (provided in the kit), as shown in Illustration "B" and braze the joints.



On Classic models-

- a. Cut 1" off the short leg of the elbow tube (provided in the kit).
- b. Cut the evaporator outlet tube 1-1/4" from the evaporator, even with the inlet tube
- c. Position the tee and the elbow tube on the evaporator inlet, as shown in Illustration "C", and braze the joints.
- d. Position the "U" tube (provided in the kit), as shown in Illustration "C", and braze the joints.
- e. On "K" (cube-let) Classic evaporators only cut back the inlet end of the elbow tube 1/2" as shown in Illustration "C".



9. Attach the (4) evaporator spacers (provided in kit) to the evaporator with (4) #10 screws (provided in kit). Leave screws slightly loose at this time.
 10. Install the expansion valve bulb screw and speed nut as shown in Illustration "D".
 11. Position the evaporator assembly in the unit and attach with (4) #10 screws. Tighten upper and lower screws at this time.
 12. Adjust the inlet and outlet tubes as required to connect them to the expansion valve and suction tube and braze the joints.
 13. Install the expansion valve bulb (see Illustration "D") and the thermostat capillary tubes or evaporator probe.
 14. Adjust the alignment and spacing of the water plate as shown in Illustration "D".
15. Pumpdown and charge the unit to factory specifications.

