

KOLD-DRAFT®

Ice Machine Stacking Kit Instructions

P/N 102139801

Stacking Instructions For:

**GB560 Series
GBX560 Series
GB1060 Series
GBX1060 Series**

Kold-Draft International, LLC
1525 East Lake Road
Erie, PA 16511-1088 U.S.A.
814-453-6761
FAX: 814-455-6336
www.kold-draft.com

SAFETY WARNINGS AND INFORMATION



CAUTION

KNOWLEDGE OF PROPER INSTALLATION AND SERVICE PROCEDURES IS ESSENTIAL TO THE SAFE OPERATION AND MAINTENANCE OF KOLD-DRAFT EQUIPMENT. REFER ALL INSTALLATION AND SERVICE WORK TO QUALIFIED TECHNICIANS.

ALWAYS DISCONNECT THE POWER SUPPLY BEFORE SERVICING THE EQUIPMENT OR WHEN THE EQUIPMENT WILL NOT BE USED FOR A PERIOD OF TIME. SOME CIRCUITS REMAIN ENERGIZED WHEN THE ICE MACHINE IS SWITCHED OFF.

NEVER OPERATE EQUIPMENT THAT HAS BEEN DAMAGED OR DOES NOT HAVE ALL THE PROTECTIVE COVERS IN PLACE.

NEVER OPERATE EQUIPMENT THAT HAS BEEN ALTERED FROM THE ORIGINAL KOLD-DRAFT SPECIFICATIONS.

SPECIAL ATTENTION SHOULD BE GIVEN TO POTENTIAL HAZARD LABELING ON THE EQUIPMENT AND THE SIGNAL WORDS AND SYMBOLS THAT ARE USED THROUGHOUT THIS MANUAL.

INSTRUCT ALL PERSONNEL IN THE PROPER USE OF THE EQUIPMENT.

CLEAN UP ANY SPILLAGE IMMEDIATELY.

FAILURE TO COMPLY WITH ALL KOLD-DRAFT INSTALLATION GUIDELINES MAY CAUSE PERSONAL INJURY, EQUIPMENT OR PROPERTY DAMAGE AND MAY VOID THE PRODUCT WARRANTY.

STACKING INSTRUCTIONS

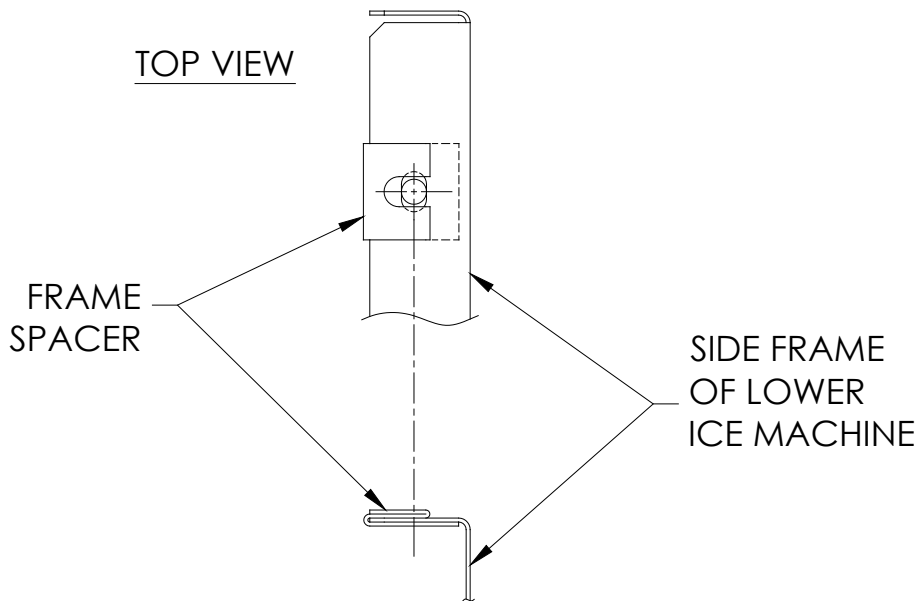
Remove the cabinet panels from the upper and lower ice machines.

Mount the frame spacers on the top side panel flanges of the lower ice machine frame.

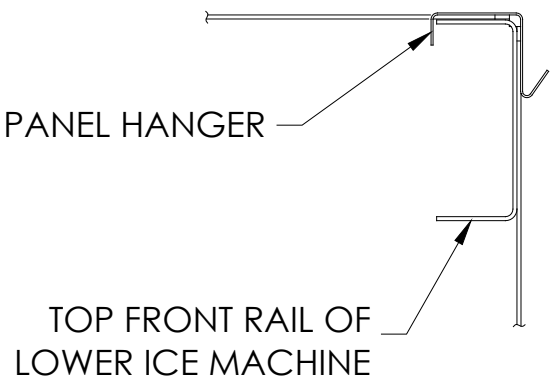
Position so the spacer holes are aligned with the holes in the frame (see illustration below).

For standard GB Series ice machines, position the front panel hanger on the top front rail of the lower ice machine (see illustration below).

FRAME SPACER PLACEMENT GB SERIES AND GBX SERIES



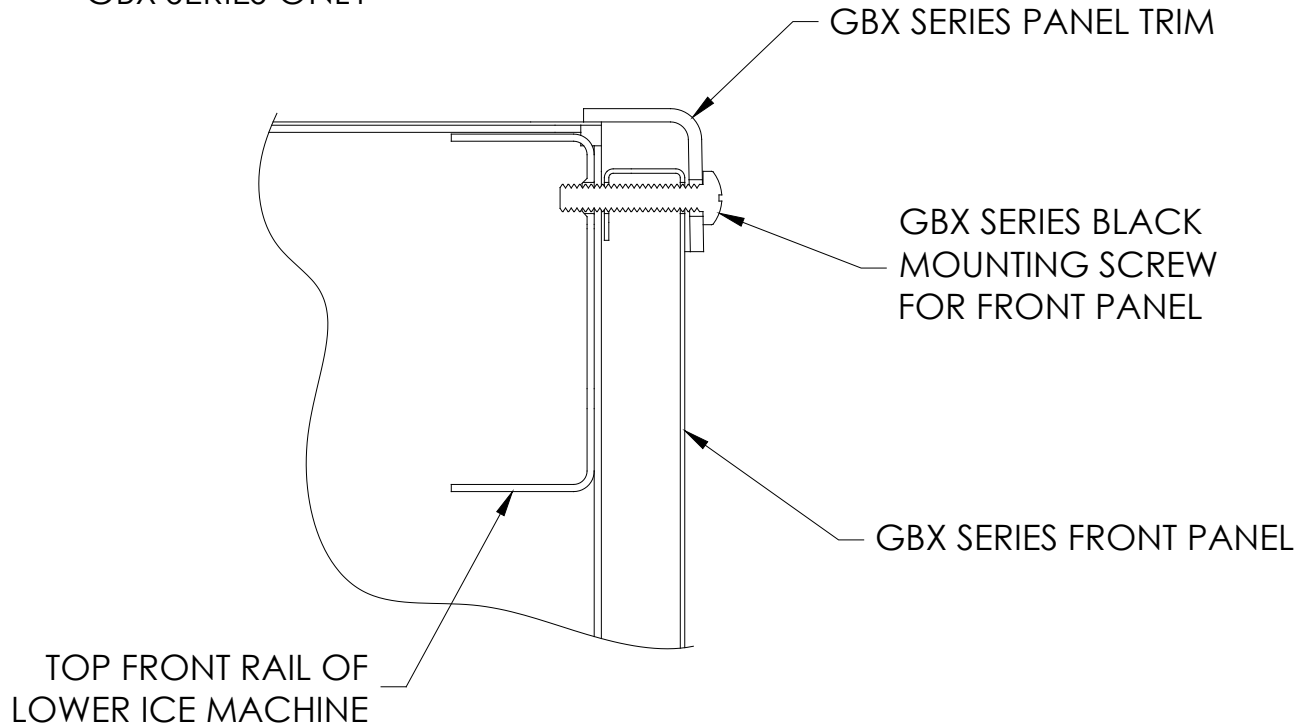
FRONT PANEL HANGER PLACEMENT GB SERIES ONLY



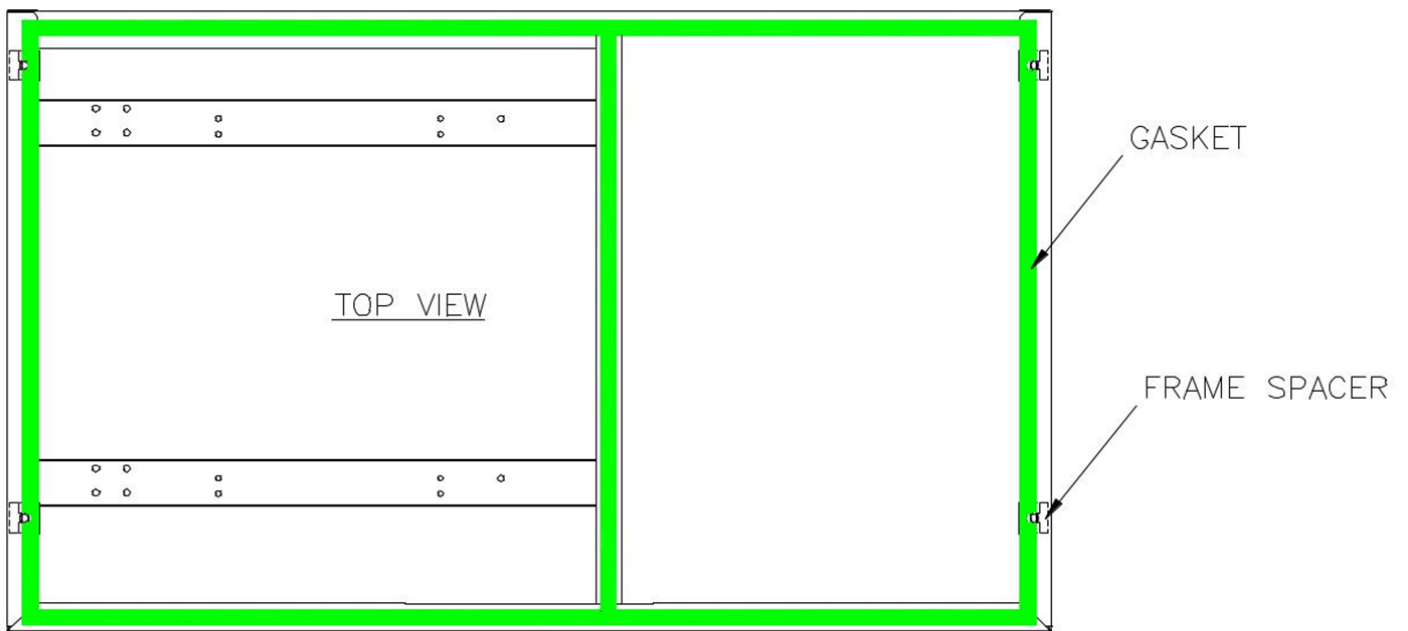
For GBX Series ice machines, a front panel hanger is not used. Instead a black panel trim is placed over the top of the lower ice machines front panel, when the front panel is mounted (see illustration below).

PANEL TRIM MOUNTING

GBX SERIES ONLY

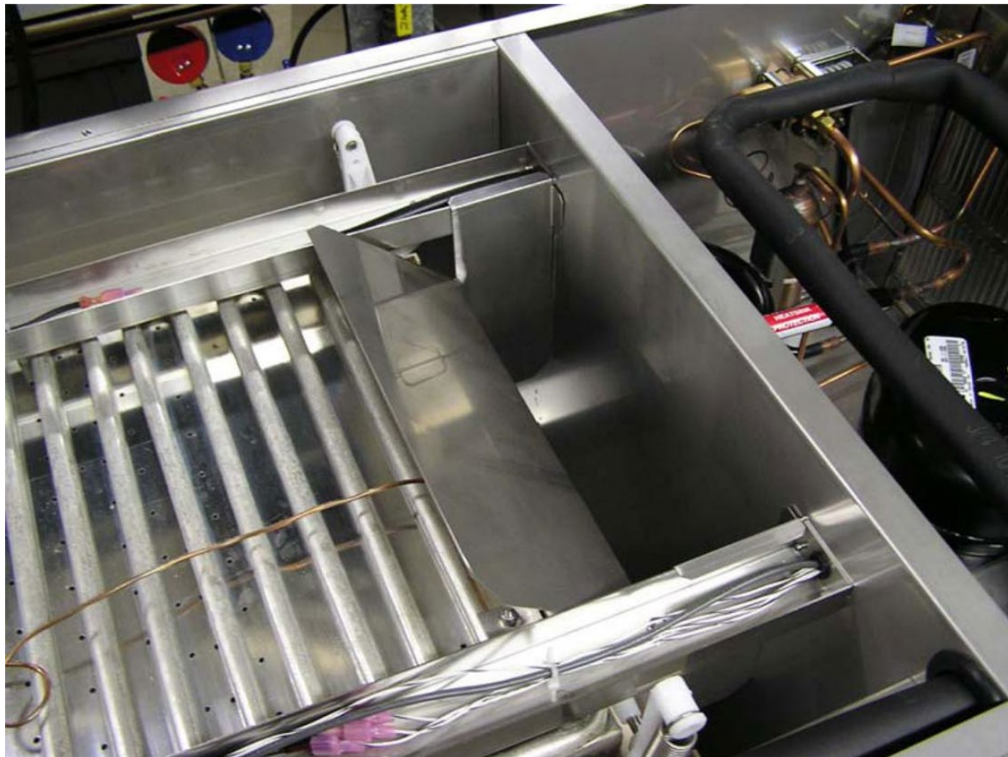


Apply the gasket provided to the top of the lower ice machine frame as shown. Place the gasket over the frame spacers to secure them in position (see illustration below).

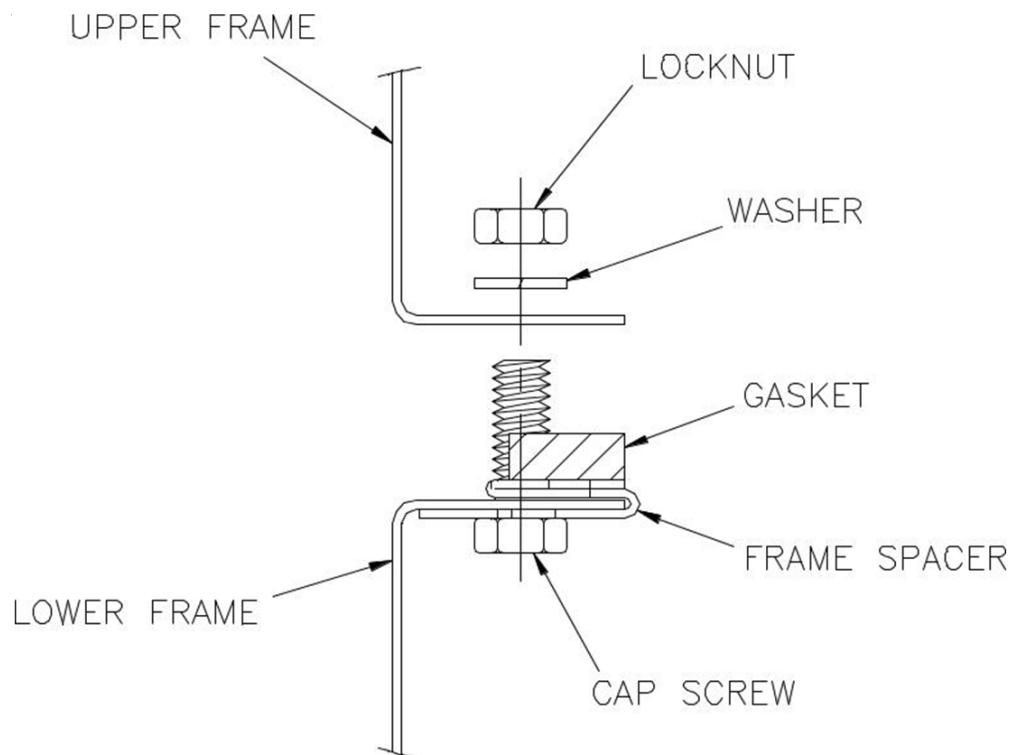


GASKET APPLICATION

Position the stacking chute in the lower machine as shown. Locate on the support channels, against the partition wall.



Carefully lift the upper machine and place it on top of the lower machine and align the frames. Fasten the frames together using the screws, washers and lock nuts provided (see illustration below).



Replace the front and back deflectors, provided with the ice machine, with the deflectors provided in the stacking kit. Install the deflectors into the slots in the back wall and front rail. Push down on the deflectors until they engage the stacking chute and snap in place.



Feed the bin probe from the upper machine, through one of the holes in the upper machine condensing unit pan and position in one of the holes in the lower ice machine condensing unit pan and adjust as required (illustration below).

