

KOLD-DRAFT®

KOLD-DRAFT INTERNATIONAL, LLC
1525 EAST LAKE ROAD
ERIE, PENNSYLVANIA 16511-1088

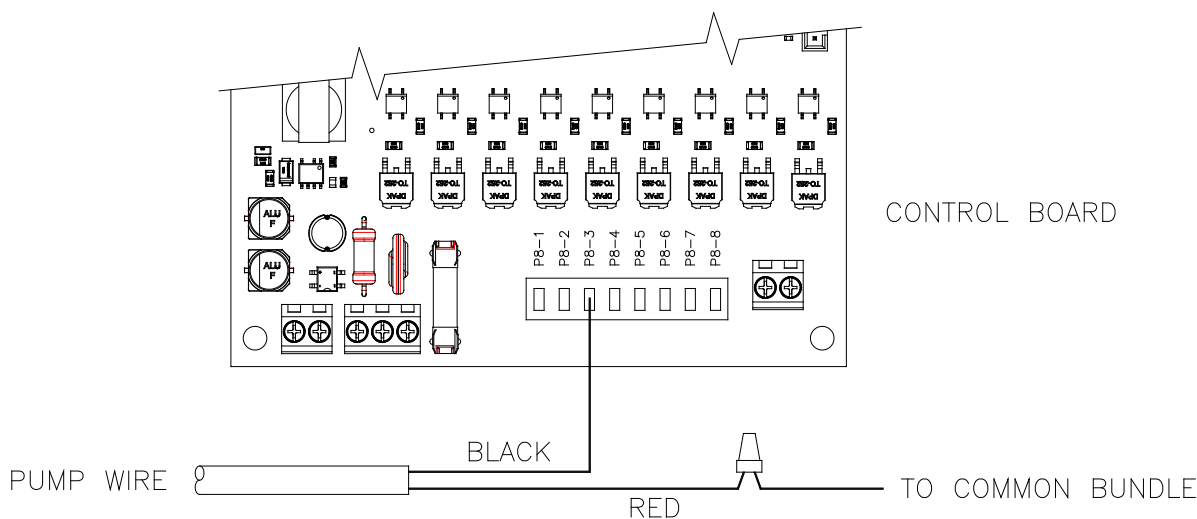
307108901 WATER PUMP INSTALLATION INSTRUCTIONS

Note: This pump can be used with all GT3 ice machine models, of all ice sizes, and GB and GT5 full cube ("C") models. **Do not use this kit to replace pumps in GB and GT5 half-cube ("HK") and cube-let ("K") models, as this application will produce poor quality ice.** Contact the parts supplier or the factory for the part number of the proper kit to replace a pump on these models.

Note: This pump kit can be used with 115V-60Hz., 208/230V-60Hz. and 220/240-50Hz. models.

Instructions for replacing pumps that require a power supply. This includes ice machines with model numbers beginning with GB56, GB106, GT36 and GT56:

1. Disconnect the wires from the power supply and remove it from the ice machine.
2. Remove the pump, inlet and outlet tubes and the pump support from the front water plate hinge.
3. Install the new pump inlet tube over the water sump fitting. (Note: warming the tubes in hot water will make them easier to install.) Install the new pump onto the water plate hinge, while pushing the pump inlet into the inlet tube. Attach the pump with the two screws provided.
4. Install the new pump outlet tube over the pump outlet and onto the water plate inlet. Work out any kinks in the outlet tube.
5. Pull the disconnected power supply wires into the control box. Disconnect the power supply wire from the controller and cut the common connection 5" from the wire bundle. Run the new pump cord to the control box along the same path as the old cord. Feed the new pump wires into the back of the control box. Connect the black wire to the controller and the red wire to the previously cut wire from the common bundle. See wiring diagram below.



NOTE: FLOATS NEED ADJUSTED – LEFT SIDE BLUE STICK SHOULD HAVE 5/8" OF STICK OUT OF THE TOP AND RIGHT SIDE 1 1/4" OF STICK OUT OF THE TOP. MOVE RIGHT SIDE UP FOR THICKER ICE.

Instructions for replacing pumps in older model ice machines. This includes ice machines with model numbers beginning with GB42, GB43, GB44, GB45, GB62, GB63, GB64, GB65, GB122, GB124, GB125, GT33, GT34, GT35 and GT55:

1. Cut the existing pump wires approximately 5" from the water valve and the pump and defrost switch.
2. Remove the pump, inlet and outlet tubes and the pump support from the front water plate hinge.
3. Install the new pump inlet tube over the water sump fitting. (Note: warming the tubes in hot water will make them easier to install.) Install the new pump onto the water plate hinge, while pushing the pump inlet into the inlet tube. Attach the pump with the two screws provided.
4. Install the new pump outlet tube over the pump outlet and onto the water plate inlet. Work out any kinks in the outlet tube.
5. Run the new pump cord into the control box. Cut off the excess allowing enough length to reach the 5" wire lead on the pump and defrost switch. Strip off the outer jacket so that the wires can be attached to the 5" leads remaining on the switch and water valve. Connect the black wire to the switch lead and the red wire to the lead from the water valve. See wiring diagram below.

