

CM1400R Parts List

Table of Contents

Cabinet

Refrigeration

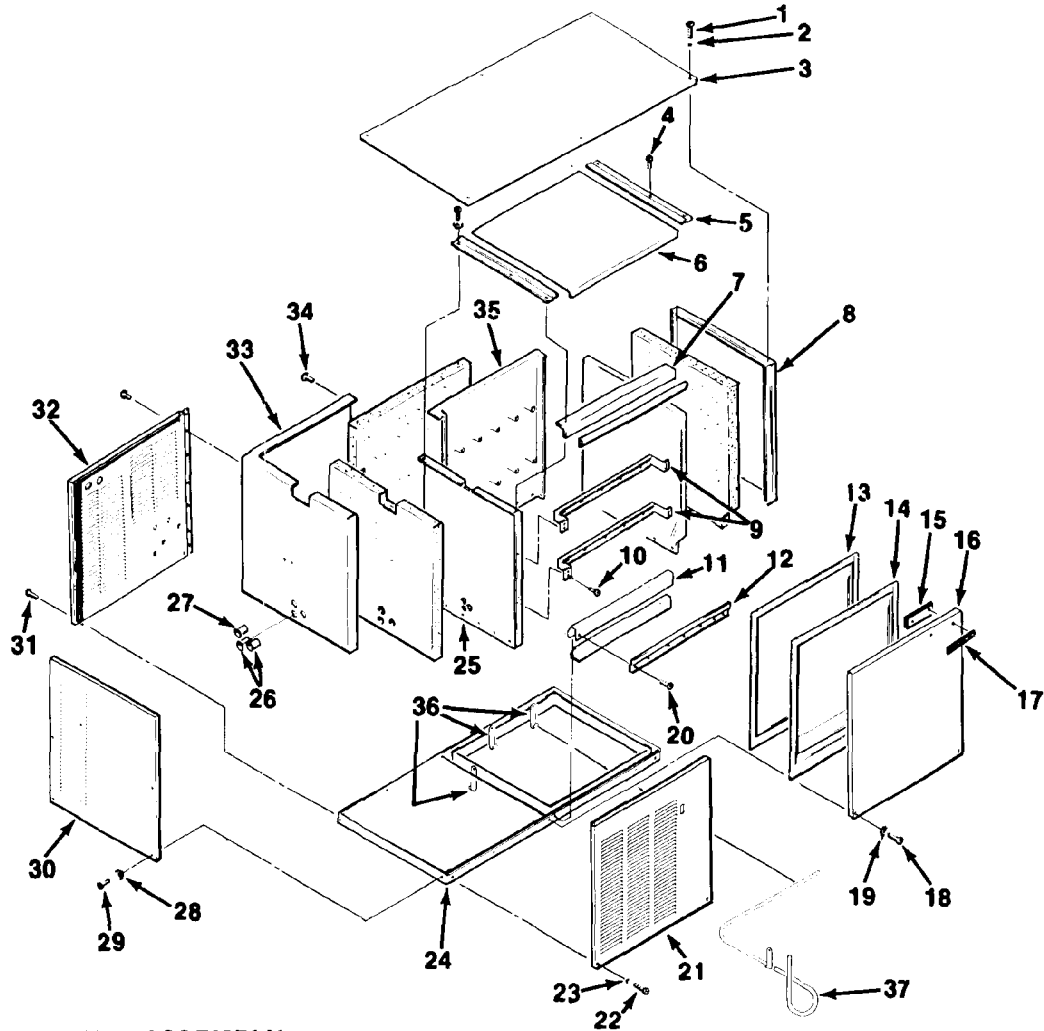
Water System

Control Box

BH750

Wiring Diagrams

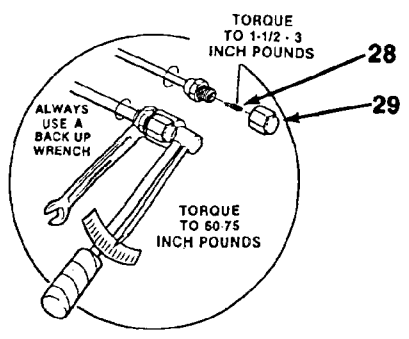
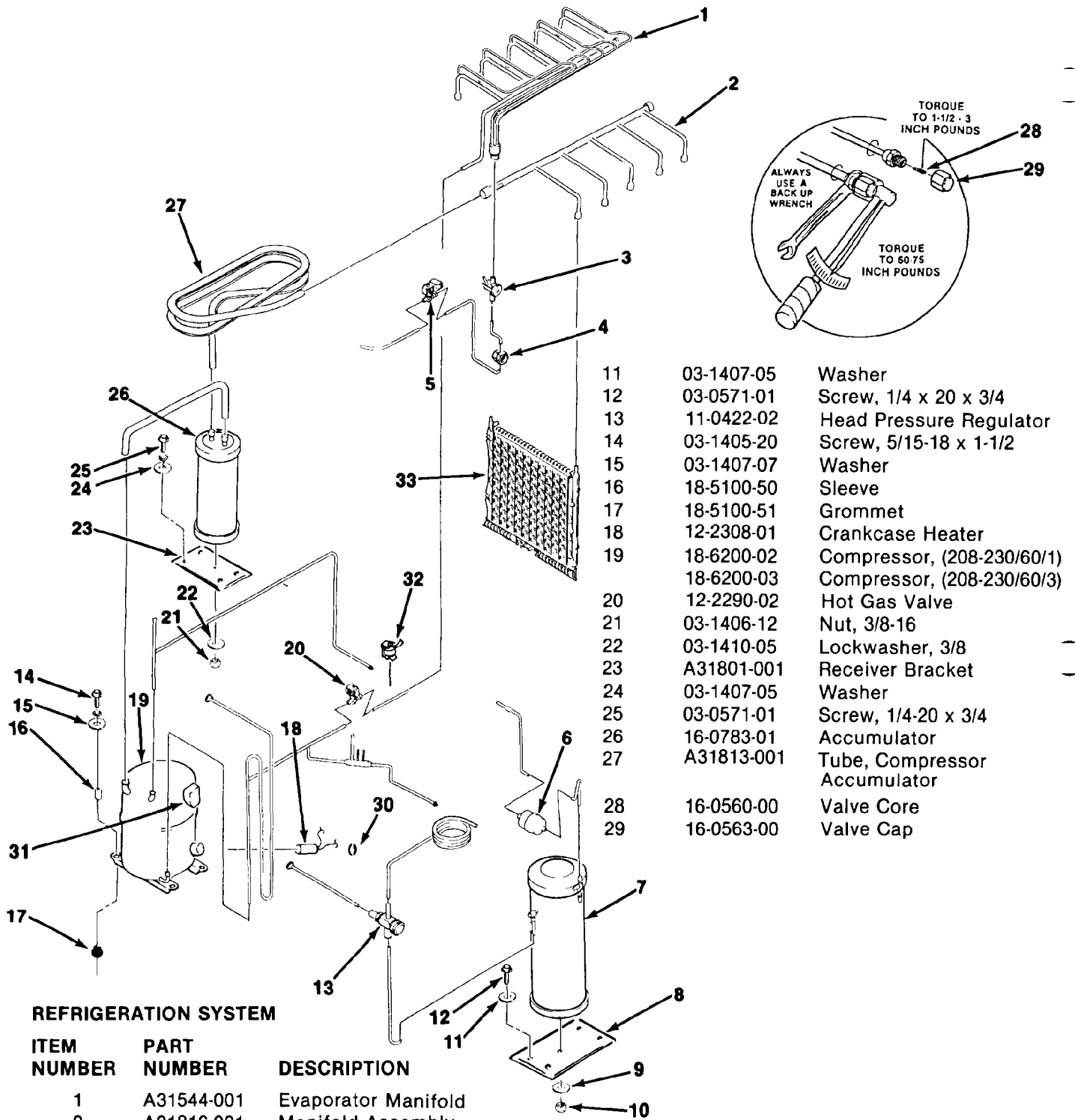
CM1400R PARTS ILLUSTRATIONS AND PARTS LISTS



CABINET ASSEMBLY

ITEM NUMBER	PART NUMBER	DESCRIPTION	ITEM NUMBER	PART NUMBER	DESCRIPTION
1	03-1404-09	(6) Screws	18	03-1404-19	(2) Screws
2	03-1407-03	(2) Washers	19	03-1417-03	(2) Washers
3	A30744-001	Panel Top (Enamel)	20	03-1404-10	(8) Screws, 8 x 1/2 (Stainless)
	A30744-002	Panel Top (Stainless)	21	A31806-001	Panel, left front (Enamel)
4	03-1404-10	Screw, (Stainless)		A31806-002	Panel, left front (Stainless)
5	No Number	Liner Guide	22	03-1404-19	(2) Screws
6	A30329-001	Liner Top	23	03-1417-03	(2) Washers
7	No Number	Upper Front Brace	24	No Number	Base Fab Assembly
8	A29164-003	Right Panel (Enamel)	25	02-2533-01	Liner Left Side
	A29164-002	Right Panel (Stainless)	26	No Number	(4) Bushing
9	A29204-001	Brace Front	27	No Number	(2) Bushing
10	03-1404-10	Screw (Stainless)	28	03-1407-03	(2) Washer
11	02-2532-01	Liner Cap	29	03-1404-10	(4) Screws
12	No Number	Liner Guide	30	A29168-003	Panel, left side (Enamel)
13	13-0595-00	Gasket — Foam Per Ft.		A29168-002	Panel, left side (Stainless)
14	02-2795-01	Liner Front Panel	31	03-1404-09	(4) Screws
15	03-0271-00	(2) Speed Clip	32	A31606-001	Panel, left back
16	A30743-001	Panel, right front (Enamel)	33	No Number	Retainer
	A30743-002	Panel, right front (Stainless)	34	03-1404-09	(4) Screws
17	15-0711-01	Emblem	35	02-2531-01	Liner back
			36	A31846-001	Bracket, Bin Control (3)
			37	A31847-001	Bin Thermo Bracket

CM1400R PARTS ILLUSTRATIONS AND PARTS LISTS



11	03-1407-05	Washer
12	03-0571-01	Screw, 1/4 x 20 x 3/4
13	11-0422-02	Head Pressure Regulator
14	03-1405-20	Screw, 5/15-18 x 1-1/2
15	03-1407-07	Washer
16	18-5100-50	Sleeve
17	18-5100-51	Grommet
18	12-2308-01	Crankcase Heater
19	18-6200-02	Compressor, (208-230/60/1)
	18-6200-03	Compressor, (208-230/60/3)
20	12-2290-02	Hot Gas Valve
21	03-1406-12	Nut, 3/8-16
22	03-1410-05	Lockwasher, 3/8
23	A31801-001	Receiver Bracket
24	03-1407-05	Washer
25	03-0571-01	Screw, 1/4-20 x 3/4
26	16-0783-01	Accumulator
27	A31813-001	Tube, Compressor Accumulator
28	16-0560-00	Valve Core
29	16-0563-00	Valve Cap

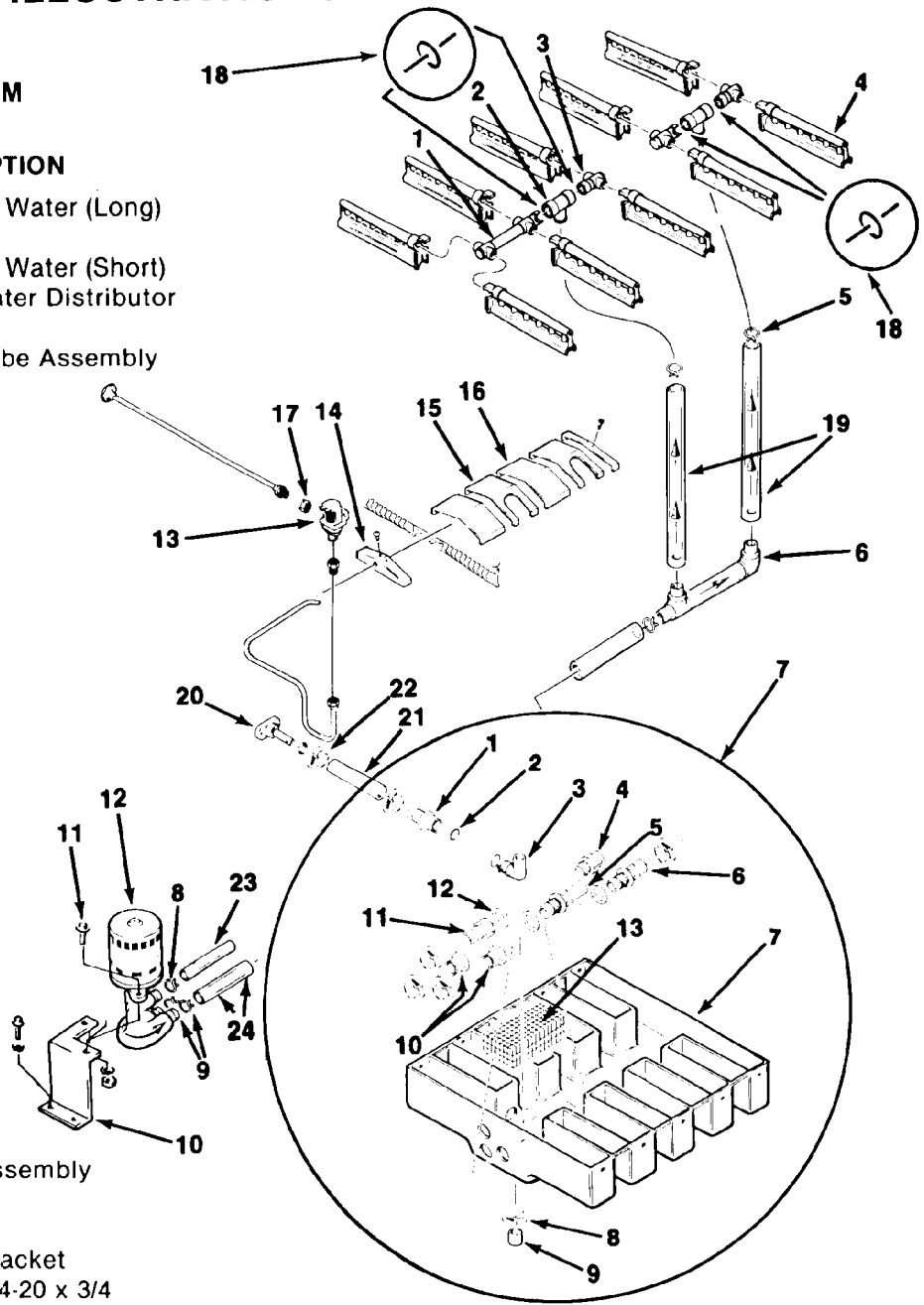
REFRIGERATION SYSTEM

ITEM NUMBER	PART NUMBER	DESCRIPTION
1	A31544-001	Evaporator Manifold
2	A31816-001	Manifold Assembly
3	16-0758-03	Expansion Valve
4	16-0762-01	Sight Glass
5	12-2274-01	Solenoid Liquid Line
6	02-2426-02	Drier
7	16-0761-01	Receiver
8	A31801-001	Bracket Receiver
9	03-1410-06	Washer
10	03-1406-13	Nut 1/2 x 13
30	12-2309-01	Crankcase Heater Clip
31	No Number	Overload (Internal)
32	12-2300-01	Hi-Temp Cut-Out Switch (Single Phase)
	12-2300-02	Hi-Temp Cut-Out Switch (Three Phase)
33	A30296-020	Evaporator Plate

CM1400R PARTS ILLUSTRATIONS AND PARTS LISTS

WATER SYSTEM

ITEM NUMBER	PART NUMBER	DESCRIPTION
1	02-2521-01	Manifold Water (Long)
2	02-2519-01	Tee
3	A29703-001	Manifold Water (Short)
4	02-2527-01	Tube, Water Distributor
5	02-2814-01	Clamp
6	A29730-001	Water Tube Assembly

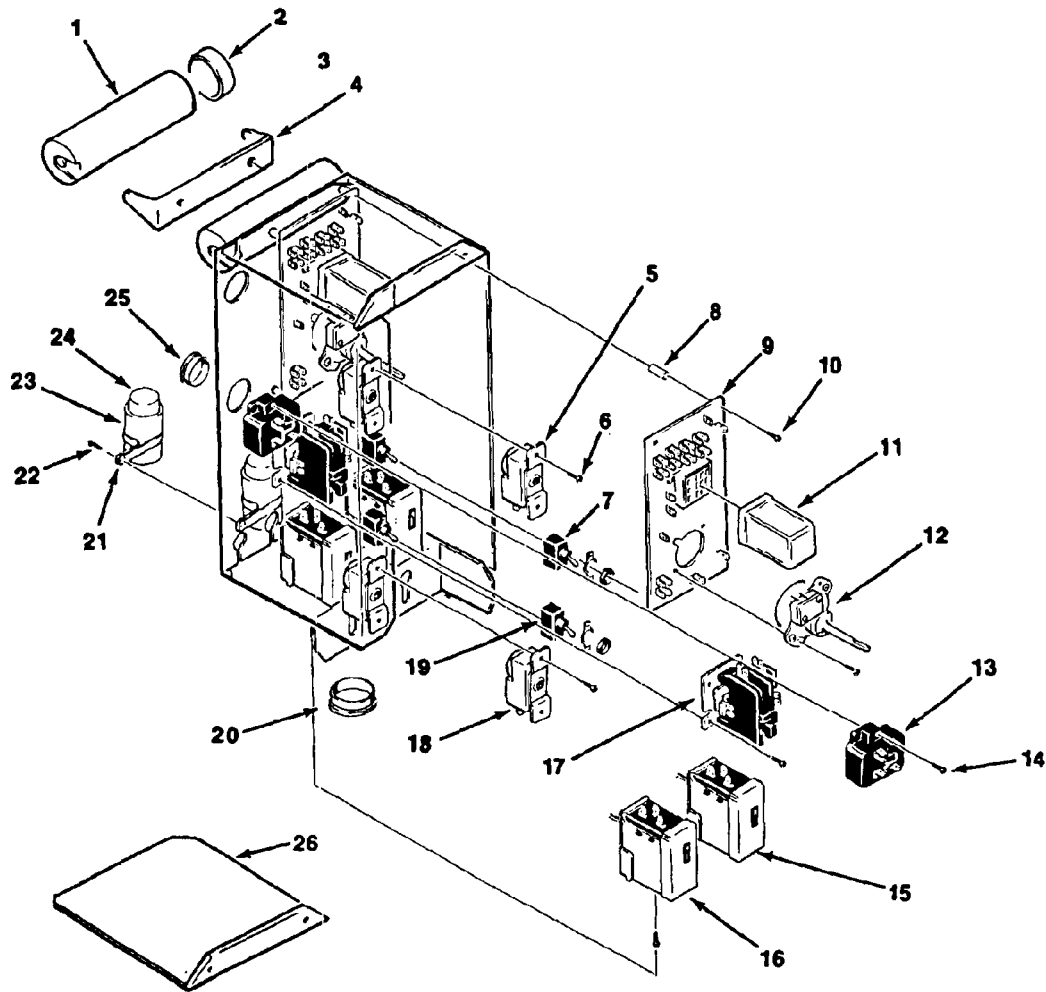


7	A30761-020	Sump Assembly
8	02-1530-01	Clamp
9	02-1800-01	Clamp
10	A30666-001	Pump Bracket
11	03-0571-01	Screw 1/4-20 x 3/4
12	12-2256-22	Water Pump
13	12-1646-04	Water Valve
14	02-2523-01	End Cover - Sump
15	02-2520-02	Sump Cover
16	02-2520-01	Sump Cover - Center
17	16-0643-01	Half Union
18	13-0617-48	O-Ring
19	13-0674-07	Hose (18.5")
20	A31757-002	Drain
21	13-0674-07	Tube - Drain (7.0")
22	02-2814-12	Hose Clamp
23	13-0674-07	Tygon Tube (by the ft.) Need 6.25"
24	13-0674-08	Tygon Tube (by the ft.) Need 6.6"

SUMP ASSEMBLY

ITEM NUMBER	PART NUMBER	DESCRIPTION
1	02-2606-01	Female Tube
2	13-0617-02	O-ring
3	02-2125-01	Elbow
4	A29342-001	Overflow
5	02-2792-01	Pick-up Tube
6	02-2793-01	Inlet Tube
7	No Number	Sump
8	02-1530-01	Clamp
9	13-0796-01	Rubber Cap
10	02-2791-01	Water Inlet Nut
11	02-2606-01	Female Tube
12	13-0617-02	O-ring
13	A30760-001	Screen

CM1400R SERVICE PARTS



CONTROL BOX

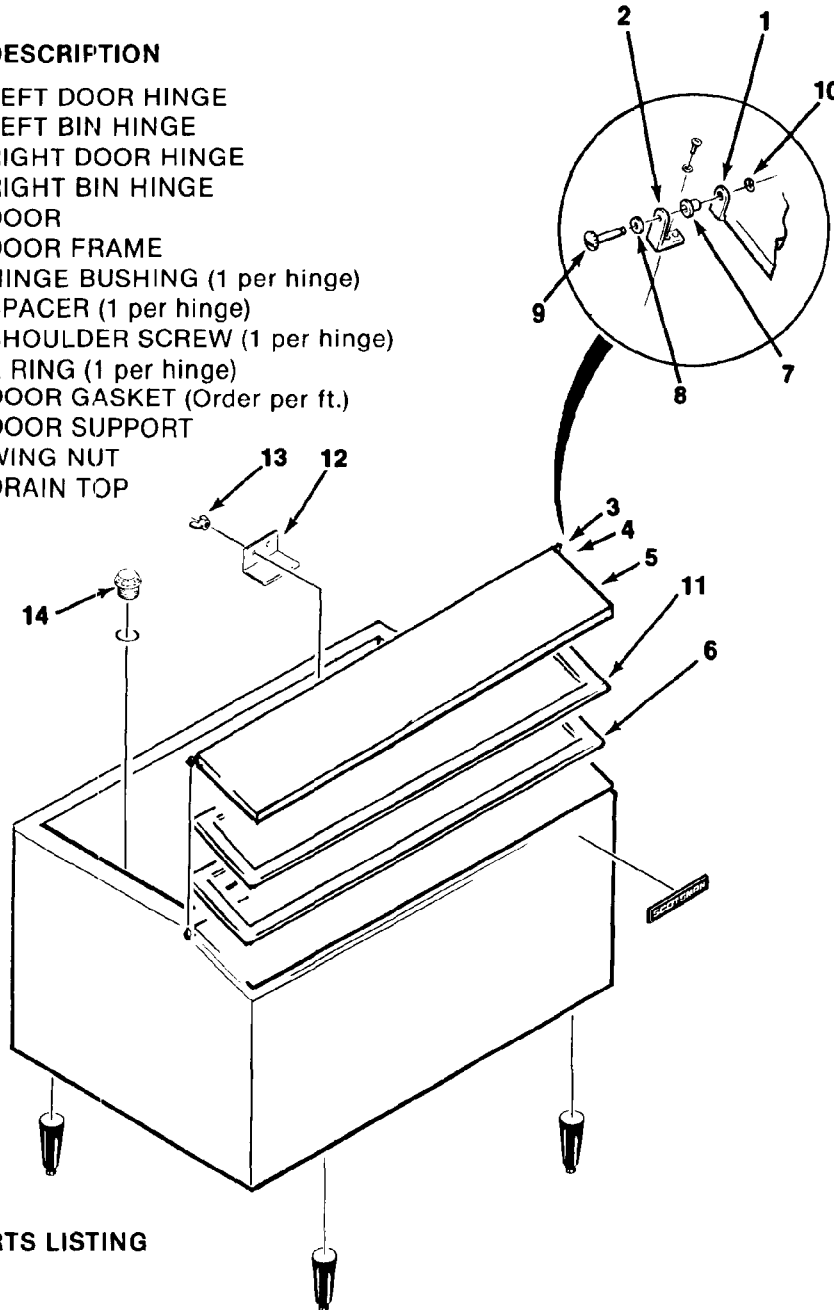
ITEM NUMBER	PART NUMBER	DESCRIPTION	ITEM NUMBER	PART NUMBER	DESCRIPTION
1	18-1901-27	Start Capacitor	15	11-0443-01	Lo Pressure Control
2	18-3850-38	Cap, Capacitor	16	11-0425-01	Hi Pressure Control
3	03-1419-05	Screw	17	12-2048-02	Contactora single phase
4	18-2200-39	Bracket, Cap		12-0739-02	Contactora, 3 phase
5	11-0437-01	Cube Size Control	18	11-0427-22	Bin Thermostat
6	03-1403-17	Screw	19	12-0426-01	Switch SPST
7	12-2255-01	Switch	20	12-1213-14	Snap Bushing
8	02-2242-02	Stand off	21	A09388-000	Brace for capacitor
9	12-1912-01	Circuit Board	22	03-1531-01	Screw
10	03-1403-03	Screw	23	18-1902-27	Run Capacitor
11	12-1879-03	Relay	24	13-0666-00	Terminal Cover
12	12-1980-02	Timer and Switch Assy	25	12-1213-17	Snap Bushing
13	18-1903-28	Potential Relay	26	A31799-001	Control Box Cover
14	03-1531-01	Screw			

October, 1989

CM1400R PARTS ILLUSTRATIONS AND PARTS LISTS

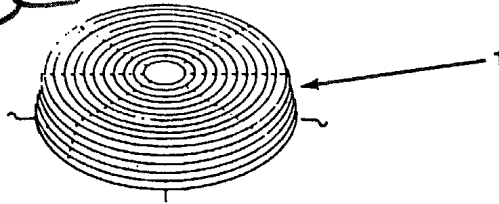
BH750 MODULAR BIN

ITEM NUMBER	PART NUMBER	DESCRIPTION
1	A29210-001	LEFT DOOR HINGE
2	A29213-001	LEFT BIN HINGE
3	A29210-002	RIGHT DOOR HINGE
4	A29213-002	RIGHT BIN HINGE
5	A29216-020	DOOR
6	A29407-020	DOOR FRAME
7	02-2380-01	HINGE BUSHING (1 per hinge)
8	02-2380-02	SPACER (1 per hinge)
9	02-2806-01	SHOULDER SCREW (1 per hinge)
10	03-1539-09	E RING (1 per hinge)
11	13-0595-00	DOOR GASKET (Order per ft.)
12	A29849-001	DOOR SUPPORT
13	03-0255-00	WING NUT
14	02-2809-01	DRAIN TOP



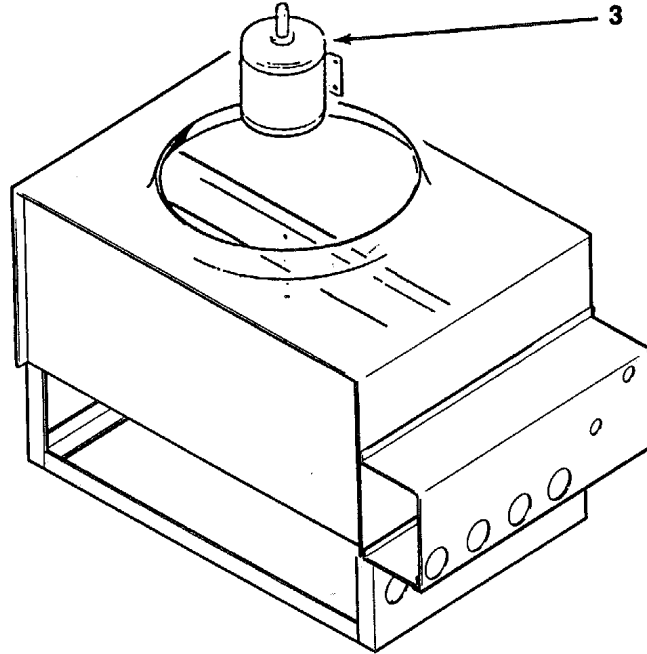
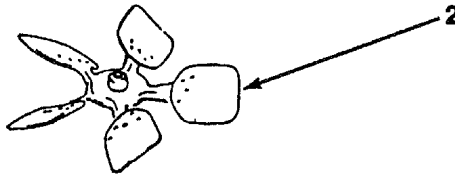
BH1000 NO SERVICE PARTS LISTING

Female
coupling halves
for pre-charger
tabriz



16-0701-02-3/8

16-0701-10-1/2

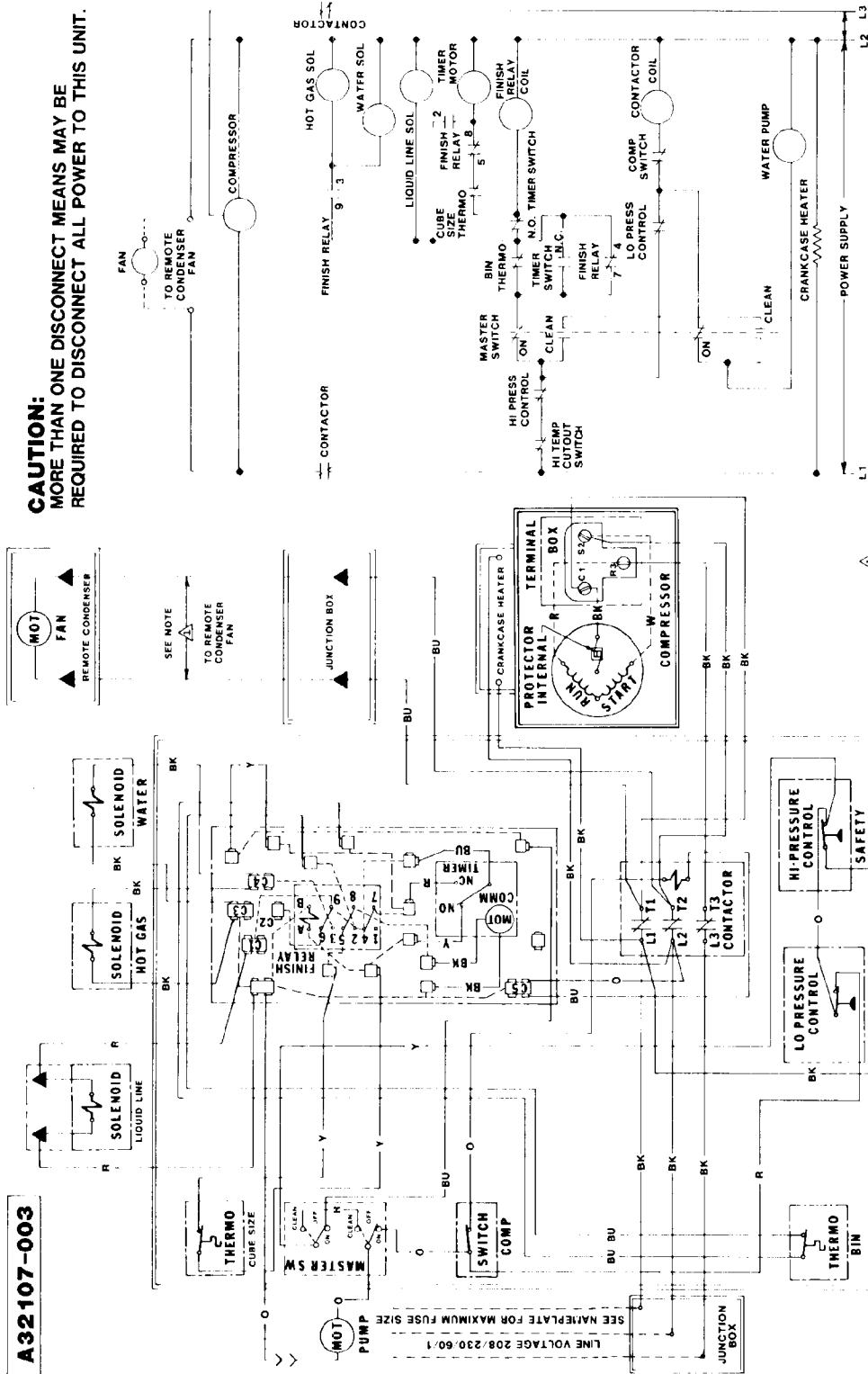


RC1451-32B REMOTE CONDENSER

ITEM NUMBER	PART NUMBER	DESCRIPTION
1	02-2618-01	Fan Guard
2	18-6304-01	Fan Blade
3	18-5301-01	Fan Motor

CM1400R PARTS ILLUSTRATIONS AND PARTS LISTS

CAUTION:
MORE THAN ONE DISCONNECT MEANS MAY BE
REQUIRED TO DISCONNECT ALL POWER TO THIS UNIT.



NOTE: DASHED LINES INDICATE FIELD WIRING WHICH MUST BE INSTALLED IN ACCORDANCE WITH THE NATIONAL ELECTRICAL CODE USING A MINIMUM OF 14 GA. AWG WIRE.

USE COPPER CONDUCTORS ONLY

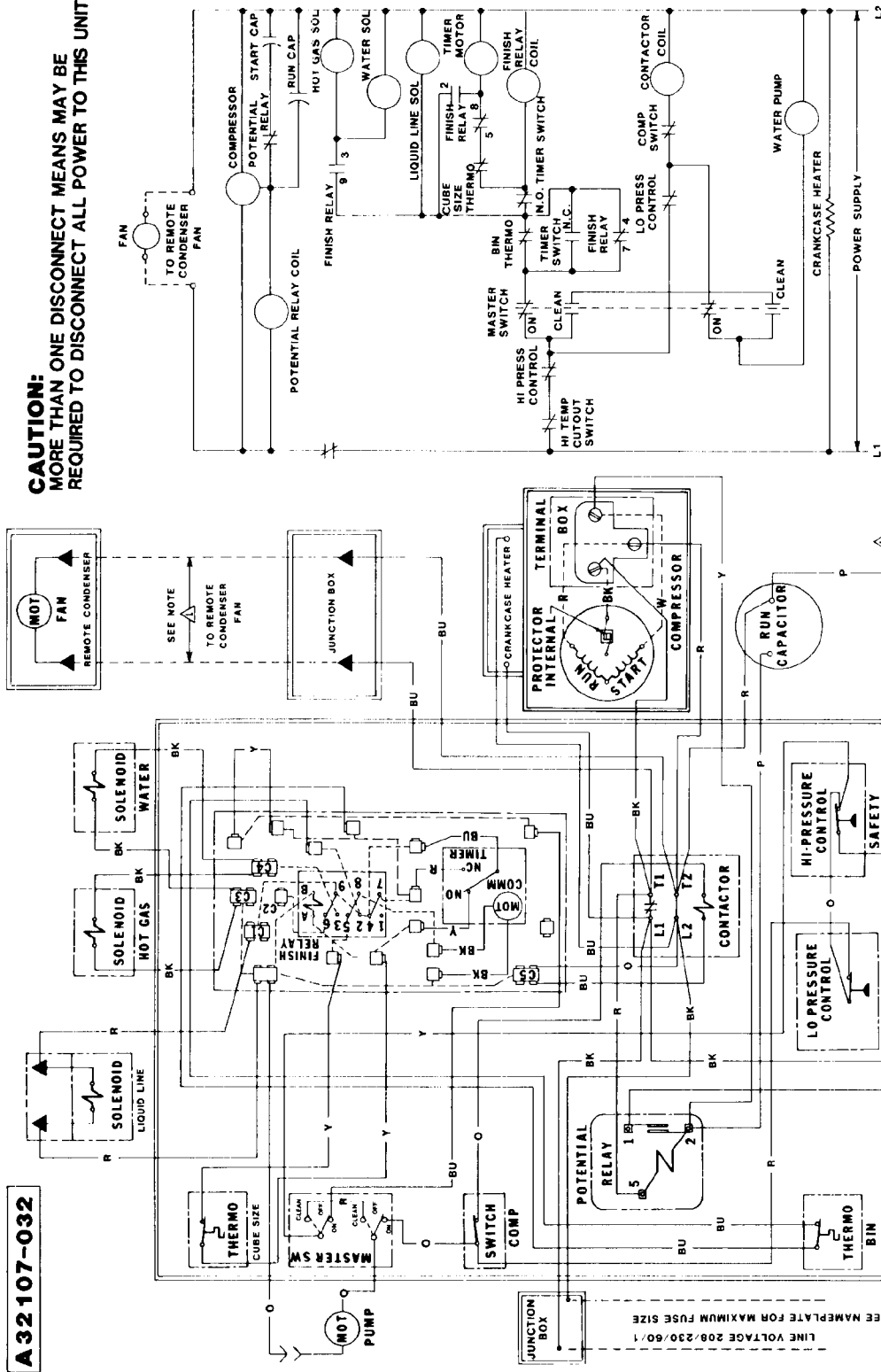
A32107-003

THIS UNIT MUST BE GROUNDED

Wiring Diagram — CM1400RE-3A 208-230/60/3 Remote Air

CM1400R PARTS ILLUSTRATIONS AND PARTS LISTS

CAUTION:
MORE THAN ONE DISCONNECT MEANS MAY BE
REQUIRED TO DISCONNECT ALL POWER TO THIS UNIT.



Wiring Diagram — CM1400RE-32A 208-230/60/1 Remote Air