

# **FD5C Parts List**

## **Table of Contents**

**Cabinet**

**Ice Dispensing**

**Water and Drains**

**Air Cooled**

**Water Cooled**

**Evaporator**

**Gear Reducer**

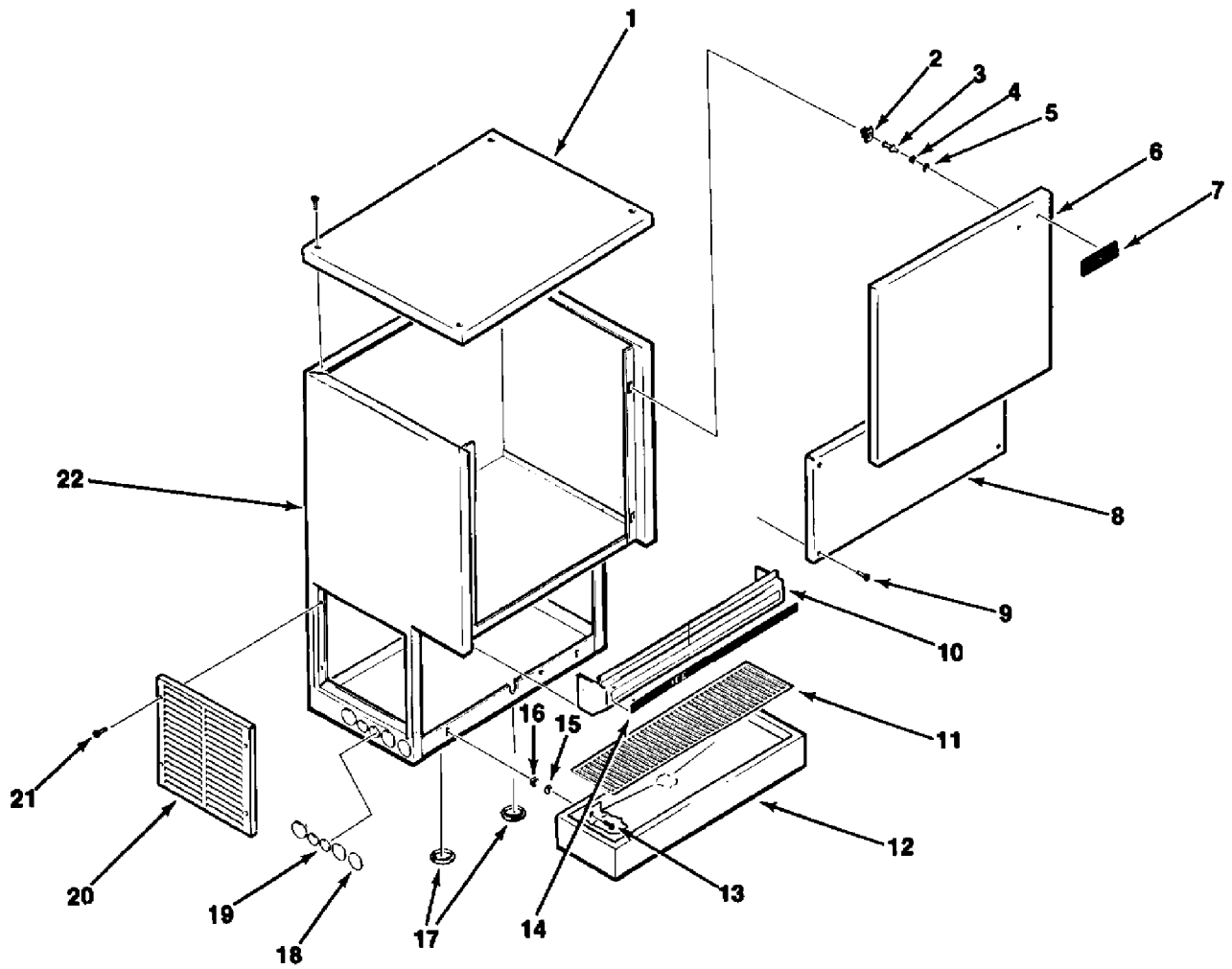
**Compressor**

**Bin Top**

**Control Box**

**Wiring Diagrams**

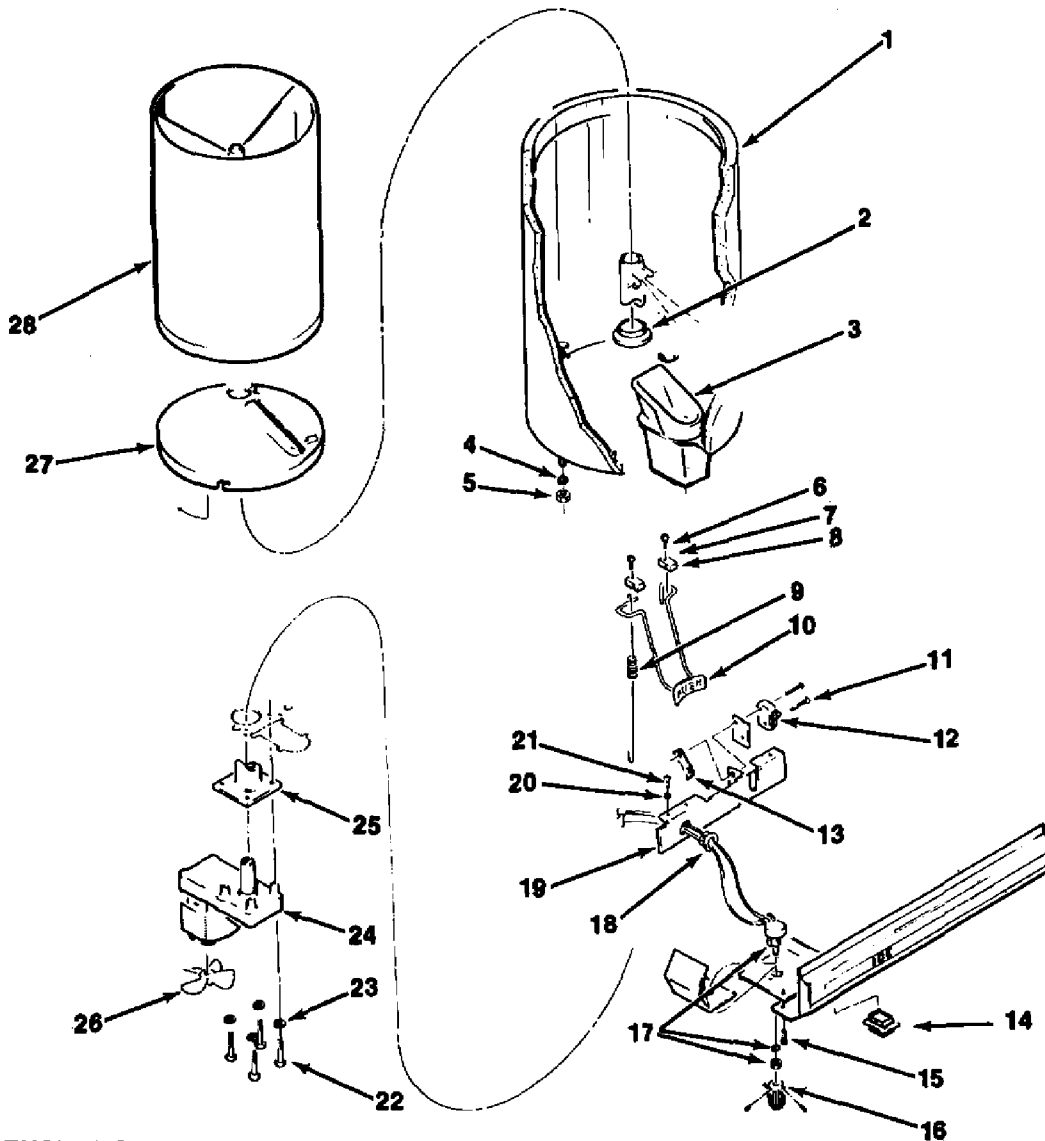
**FD5**  
**THE PARTS ILLUSTRATION AND PARTS LISTINGS**



**CABINET ASSEMBLY**

ITEM NUMBER	PART NUMBER	DESCRIPTION
1	A20192-003	Cabinet Top, Enamel
	A20192-001	Cabinet Top, Stainless Steel
2	02-0836-00	Catch (8 required)
3	15-0411-00	Strike (8 required)
4	03-1406-03	Nut, No. 8-32 Hex
5	03-1417-03	Lockwasher, No. 8 External Tooth
6	A20192-002	Upper Front Panel, Enamel
	A20192-001	Upper Front Panel, Stainless Steel
7	15-0681-01	Scotsman Emblem
8	A19339-000	Splash Panel, Stainless Steel
9	03-1419-09	Screw, No. 8 x 1-1/4
10	A21273-000	Panel, Control, Enamel
	A21273-001	Panel, Control, Stainless Steel
11	02-1858-00	Grill
12	A23212-000	Sink Assembly
13	03-1405-05	Screw, 1/4-20 x 5/8
14	15-0560-01	Decal
15	03-1410-03	Lockwasher, 1/4
16	03-1406-09	Nut, 1/4-20
17	No Number	Plug Button
18	No Number	Hole Plug
19	No Number	Hole Plug
20	A24140-004	Panel - Cond. Access, Enamel
	A24140-002	Panel - Cond. Access, Stainless Steel
21	15-0411-00	Strike (8 required)
22	A19945-003	Cabinet Frame, Enamel
	A19945-001	Cabinet Frame, Stainless Steel

**FD5**  
**THE PARTS ILLUSTRATION AND PARTS LISTINGS**



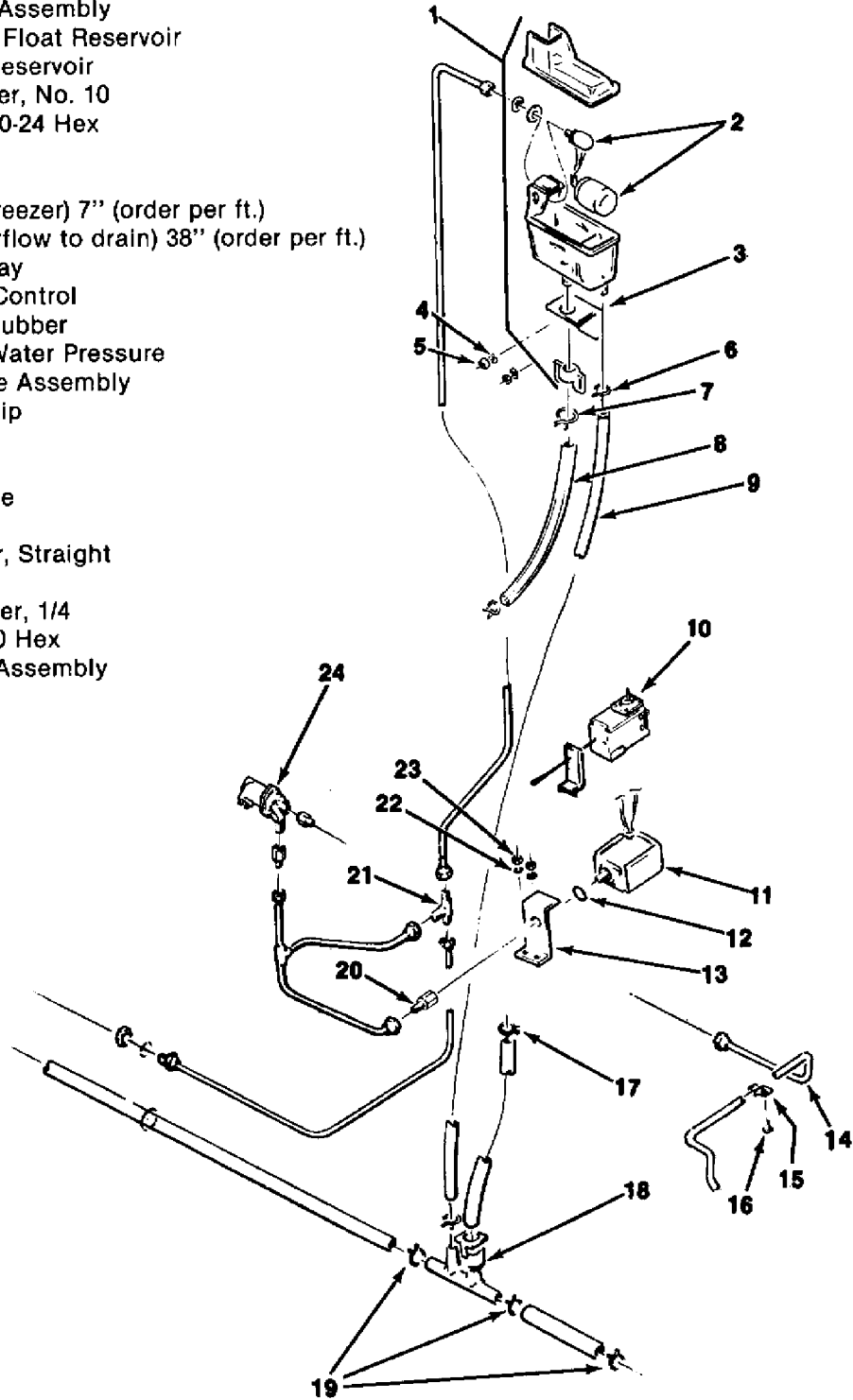
**ICE DISPENSING SYSTEM**

ITEM NUMBER	PART NUMBER	DESCRIPTION
1	A21386-001	Bin Assembly, Insulation
2	13-0747-00	Water Shed
3	02-1726-00	Rubber Spout
4	03-1410-03	Lockwasher
5	03-1406-09	Hex Nut
6	03-1403-06	Panhead Machine Screw
7	03-1417-14	Lockwasher
8	02-1969-00	Arm Clamp
9	02-1827-00	Spring
10	02-2076-01	Glass Filler Lever
11	03-1403-62	Screw, 4-40 x 7/8
12	12-1642-00	Switch
13	A22053-000	Speed Nut, Twin
14	12-1377-01	Switch
15	03-1404-09	Screw, No. 8 x 1/2
16	02-1810-00	Knob, Pointer
17	12-1557-00	Potentiometer
18	12-1213-10	Snap Bushing
19	A24325-001	Switch Plate Assembly
20	03-1417-03	Lockwasher
21	03-1403-16	Panhead Machine Screw
22	03-1403-36	Panhead Machine Screw
23	03-1410-02	Lockwasher
24	12-1561-01	Bin Drivemotor
25	02-1971-00	Gear Motor, Bracket
26	12-0675-25	Fan Blade
27	A30289-001	Inner Bin Bottom Assembly
28	A19349-001	Inner Bin Fab. Assembly

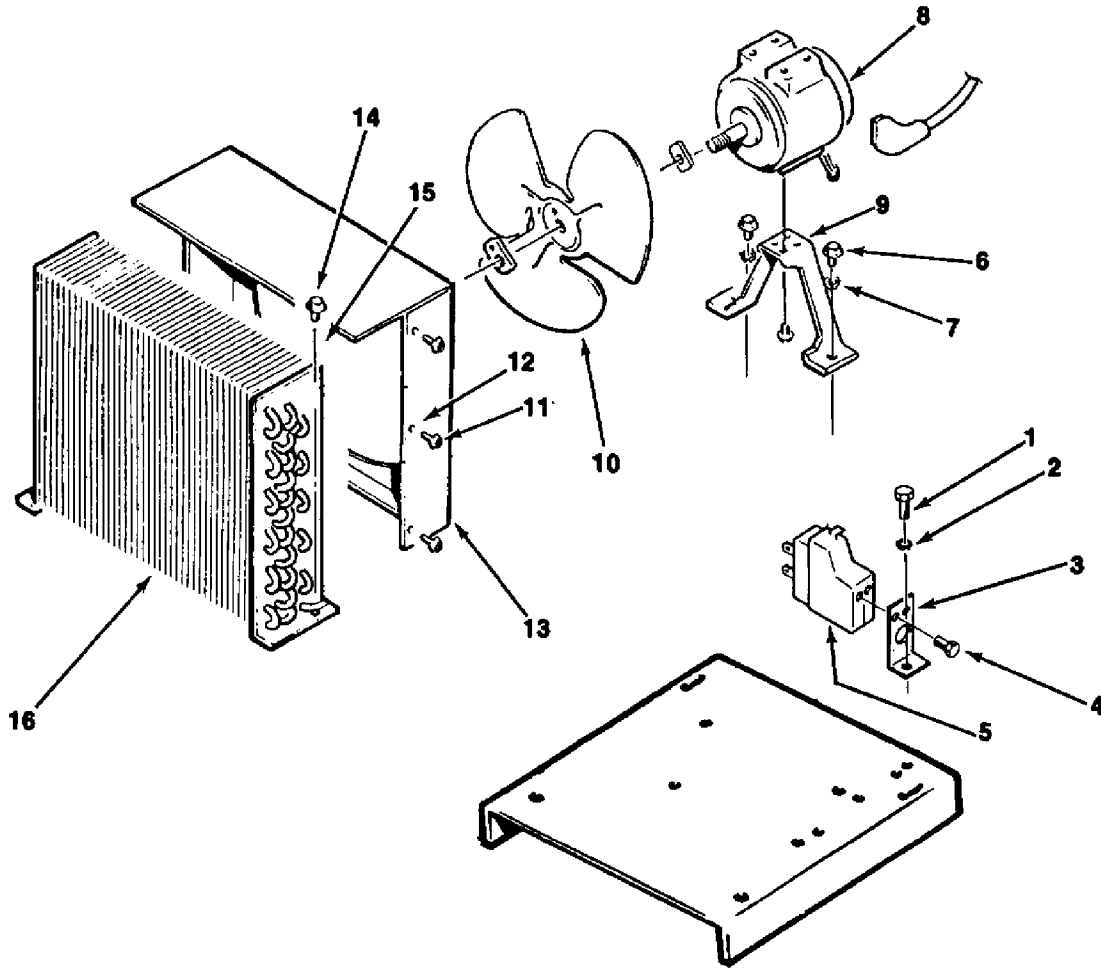
**FD5**  
**THE PARTS ILLUSTRATION AND PARTS LISTINGS**

**POTABLE WATER AND DRAINAGE SYSTEM**

ITEM NUMBER	PART NUMBER	DESCRIPTION
1	02-2217-01	Reservoir Assembly
2	02-2217-02	Valve and Float Reservoir
3	A20959-000	Bracket, Reservoir
4	03-1410-02	Lockwasher, No. 10
5	03-1406-06	Nut, No. 10-24 Hex
6	02-0694-00	Clamp
7	02-0534-00	Clamp
8	13-0674-09	Tube (to freezer) 7" (order per ft.)
9	13-0079-03	Tube (overflow to drain) 38" (order per ft.)
10	11-0402-01	Auger Delay
11	11-0296-00	Pressure Control
12	No Number	Washer, Rubber
13	No Number	Bracket, Water Pressure
14	No Number	Water Line Assembly
15	No Number	Ground Clip
16	No Number	Screw
17	02-1338-00	Clamp
18	A21532-000	Double Tee
19	02-0534-00	Clamp
20	12-0350-00	Connector, Straight
21	No Number	Tee
22	03-1417-09	Lockwasher, 1/4
23	03-1406-09	Nut, 1/4-20 Hex
24	12-1646-01	Solenoid Assembly



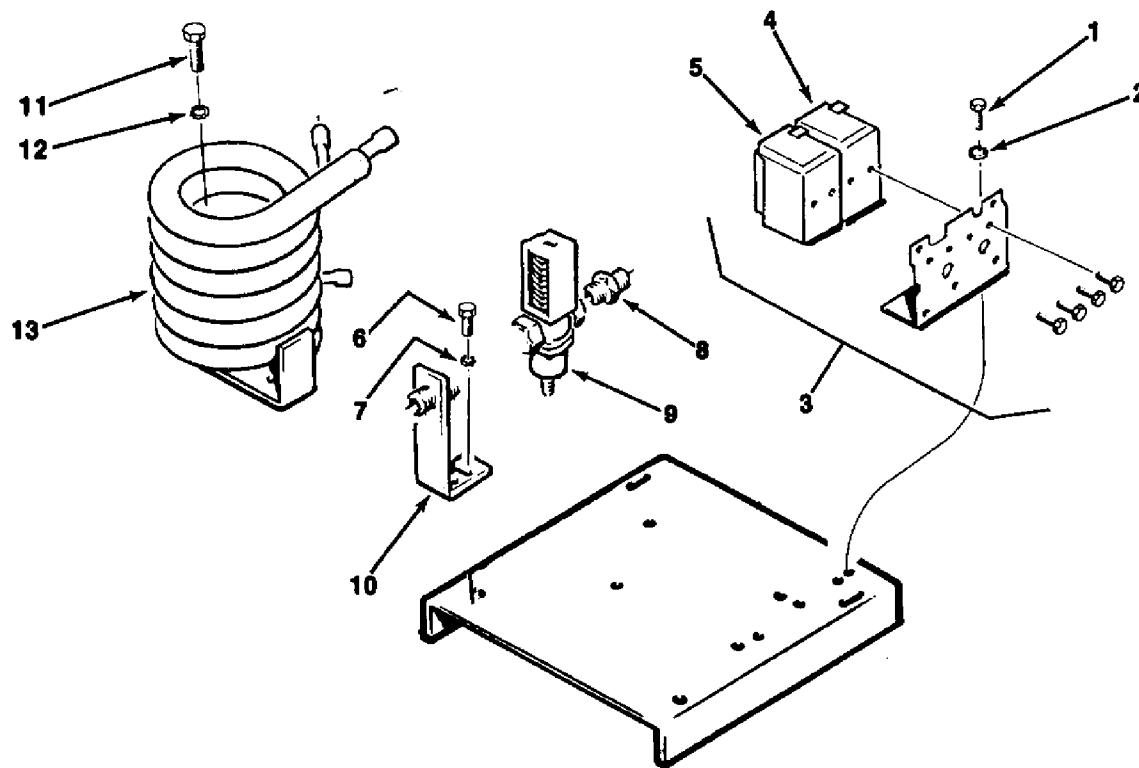
**FD5**  
**THE PARTS ILLUSTRATION AND PARTS LISTINGS**



**AIR-COOLED CONDENSER ASSEMBLY**

ITEM NUMBER	PART NUMBER	DESCRIPTION
1	03-0571-00	Screw, No. 1/4-20 x 1/2 T/C Hex Cap
2	03-1417-09	Lockwasher, 1/4 External Tooth
3	No Number	Bracket Pressure Control
4	03-1403-02	Screw, No. 6-32 x 1/4 Phil Recess Pan HD
5	11-0420-01	Pressure Control, Low
6	03-0571-00	Screw, No. 1/4-20 x 1/2 T/C Hex Cap
7	03-1410-03	Lockwasher, 1/4 Helical Spring
8	12-1576-01	Fan Motor
9	18-0422-00	Fan Bracket
10	18-0137-02	Fan Blade
11	03-1404-15	Phil Recess Pan HD
12	03-1407-04	Washer, No. 10 Flat
13	A20550-000	Shroud, Condenser
14	03-1405-03	Screw, 1/4-20 x 1/2 Hex Cap
15	03-1417-09	Lockwasher, No. 1/4 External Tooth
16	18-1927-00	Condenser

**FD5**  
**THE PARTS ILLUSTRATION AND PARTS LISTINGS**



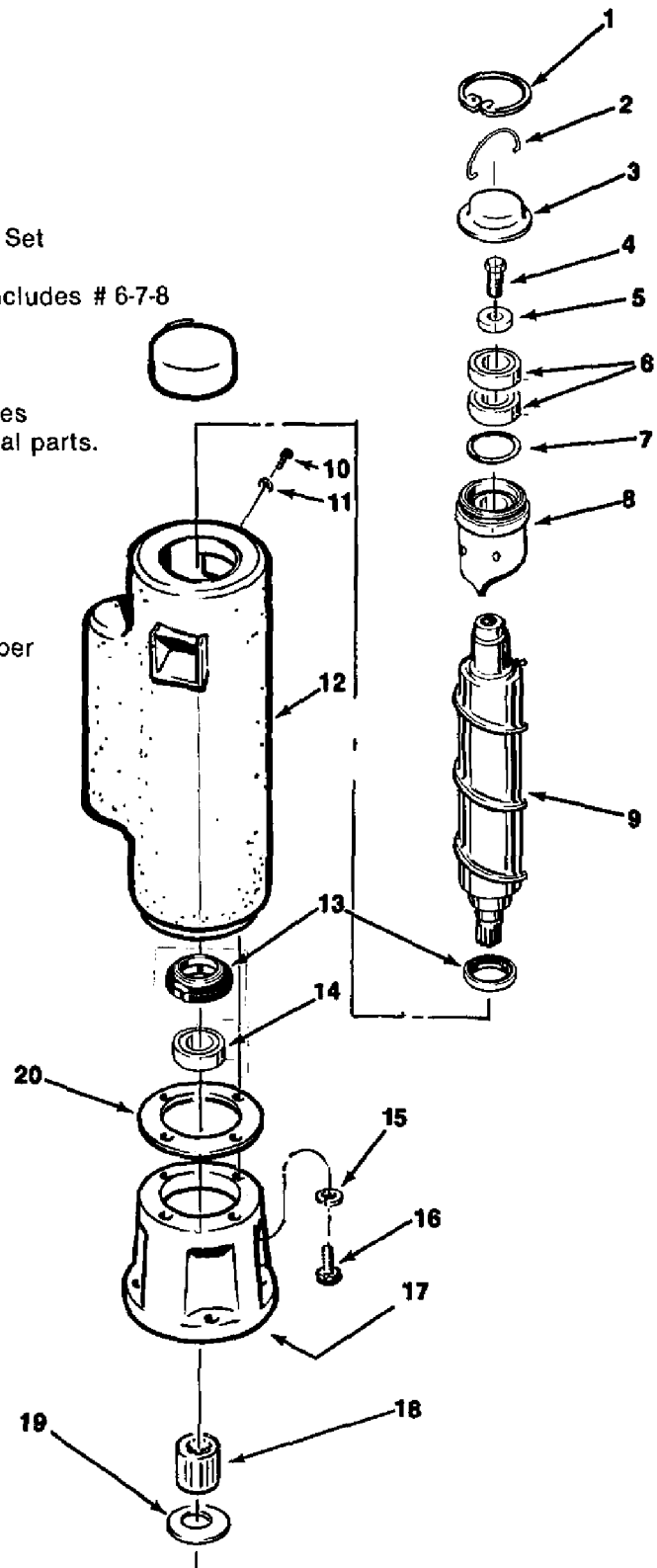
**WATER-COOLED CONDENSER ASSEMBLY**

ITEM NUMBER	PART NUMBER	DESCRIPTION
1	03-1404-08	Screw, No. 8 x 3/8 T/F Tap
2	03-1417-03	Lockwasher No. 8 External Tooth
3	11-0421-01	Pressure Control Assembly (Not Sold Separately)
4	<i>No Number</i>	Pressure Control, Hi
5	<i>No Number</i>	Pressure Control, Lo
6	03-0571-00	Screw, 1/4-20 x 1/2 T/C Hex Cap
7	13-1410-03	Lockwasher, 1/4 Helical Spring
8	A24487-003	Coupling
9	11-0198-02	Water Regulator
10	A15924-000	Pipe Nipple Assembly
11	03-0571-00	Screw, 1/4-20 x 1/4 T/C Hex Cap
12	03-1417-05	Lockwasher, 1/4 External Tooth
13	18-3303-02	Condenser Assembly (Water-Cooled)

**FD5**  
**THE PARTS ILLUSTRATION AND PARTS LISTINGS**

**FREEZER ASSEMBLY**

ITEM NUMBER	PART NUMBER	DESCRIPTION
1	03-1558-03	Retainer Ring
2	A08162-000	Cap Hook
3	A07701-000	Cap
4	03-0758-00	Screw
5	A07699-000	Washer
6	02-1412-00	Top Bearing—Matched Set
7	13-0617-16	"O" Ring
8	A14678-020	Breaker with Bearing includes # 6-7-8
9	A29669-001	Auger
10	03-1403-46	Screw
11	03-1417-07	Washer
12	A26752-020	Evaporator Shell includes Suction Line, No internal parts.
13	02-1300-01	Water Seal
14	02-0417-00	Bearing, Lower
15	03-1410-04	Washer, (3 Req'd)
16	03-1405-42	Cap Screw (3 Req'd)
17	08-0595-01	Adapter
18	A29915-002	Spline Drive Coupling
19	13-0709-01	Shaft Drip Shield - Rubber
20	03-1505-00	Gasket

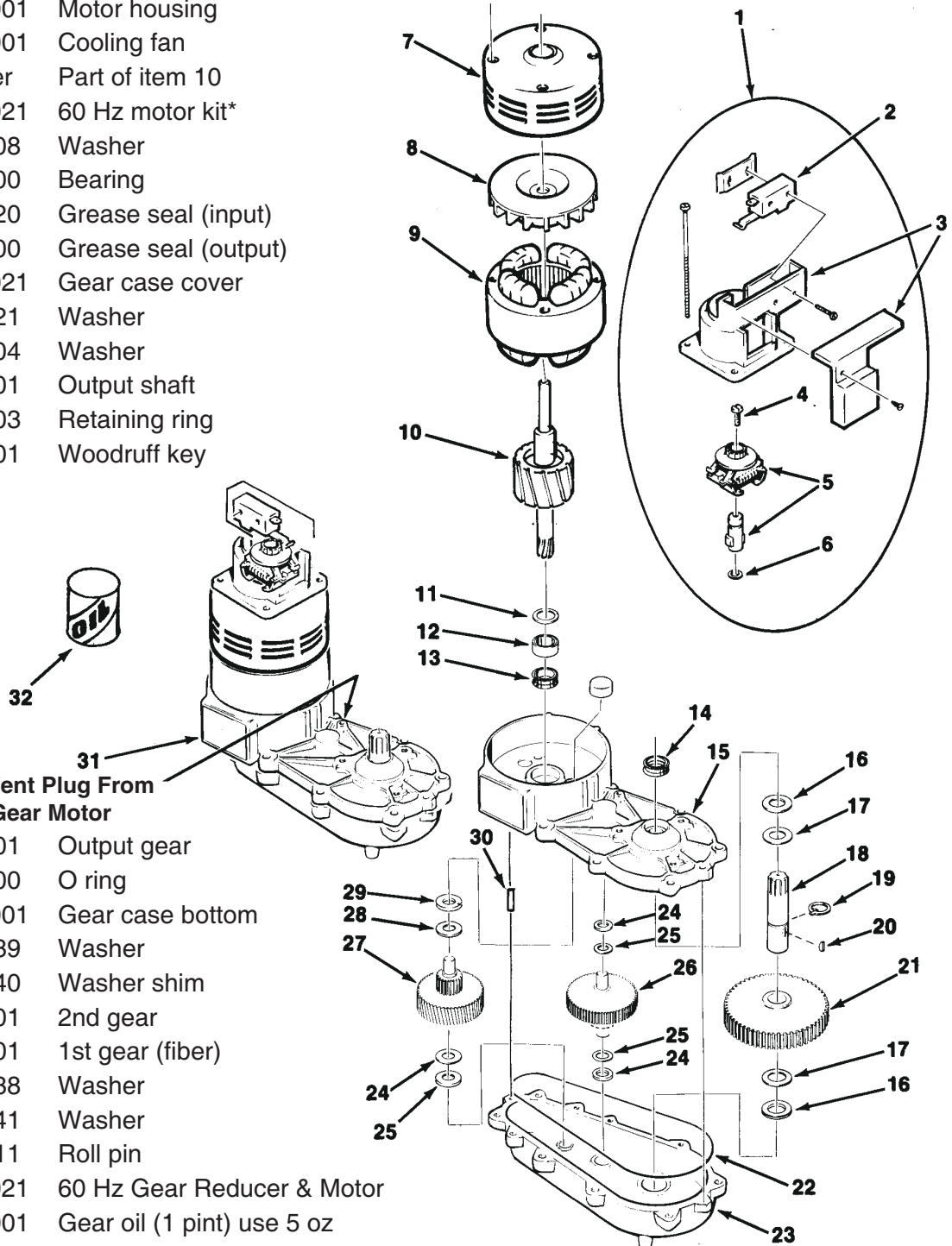


# FD5 Service Parts

## Gear Reducer and Motor

Item Number	Part Number	Description
1	A27494-001	Centrifugal switch kit
2	12-2059-01	Switch
3	A27494-001	Housing
4	03-1403-77	Screw
5	A30579-001	Shaft & actuator
6	03-1408-36	Washer
7	A38487-001	Motor housing
8	A28168-001	Cooling fan
9	no number	Part of item 10
10	A37707-021	60 Hz motor kit*
11	03-1408-08	Washer
12	02-1501-00	Bearing
13	02-3969-20	Grease seal (input)
14	02-1503-00	Grease seal (output)
15	A28165-021	Gear case cover
16	03-1408-21	Washer
17	03-1408-04	Washer
18	02-2445-01	Output shaft
19	03-1515-03	Retaining ring
20	03-1602-01	Woodruff key

\* includes items 7, 8, 9, 10, 11 and 12

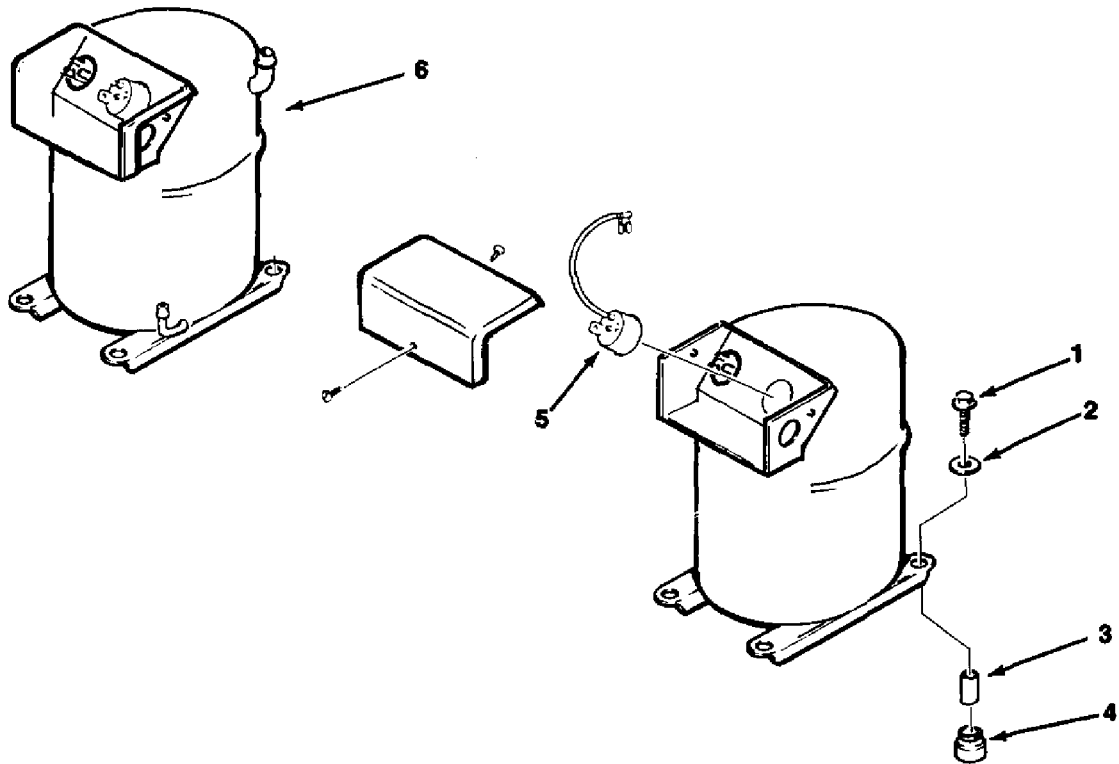


**Remove Rubber Vent Plug From Replacement Gear Motor**

21	02-2444-01	Output gear
22	02-1505-00	O ring
23	A28166-001	Gear case bottom
24	03-1408-39	Washer
25	03-1408-40	Washer shim
26	02-2439-01	2nd gear
27	02-2438-01	1st gear (fiber)
28	03-1408-38	Washer
29	03-1408-41	Washer
30	03-0774-11	Roll pin
31	A31977-021	60 Hz Gear Reducer & Motor
32	A25835-001	Gear oil (1 pint) use 5 oz



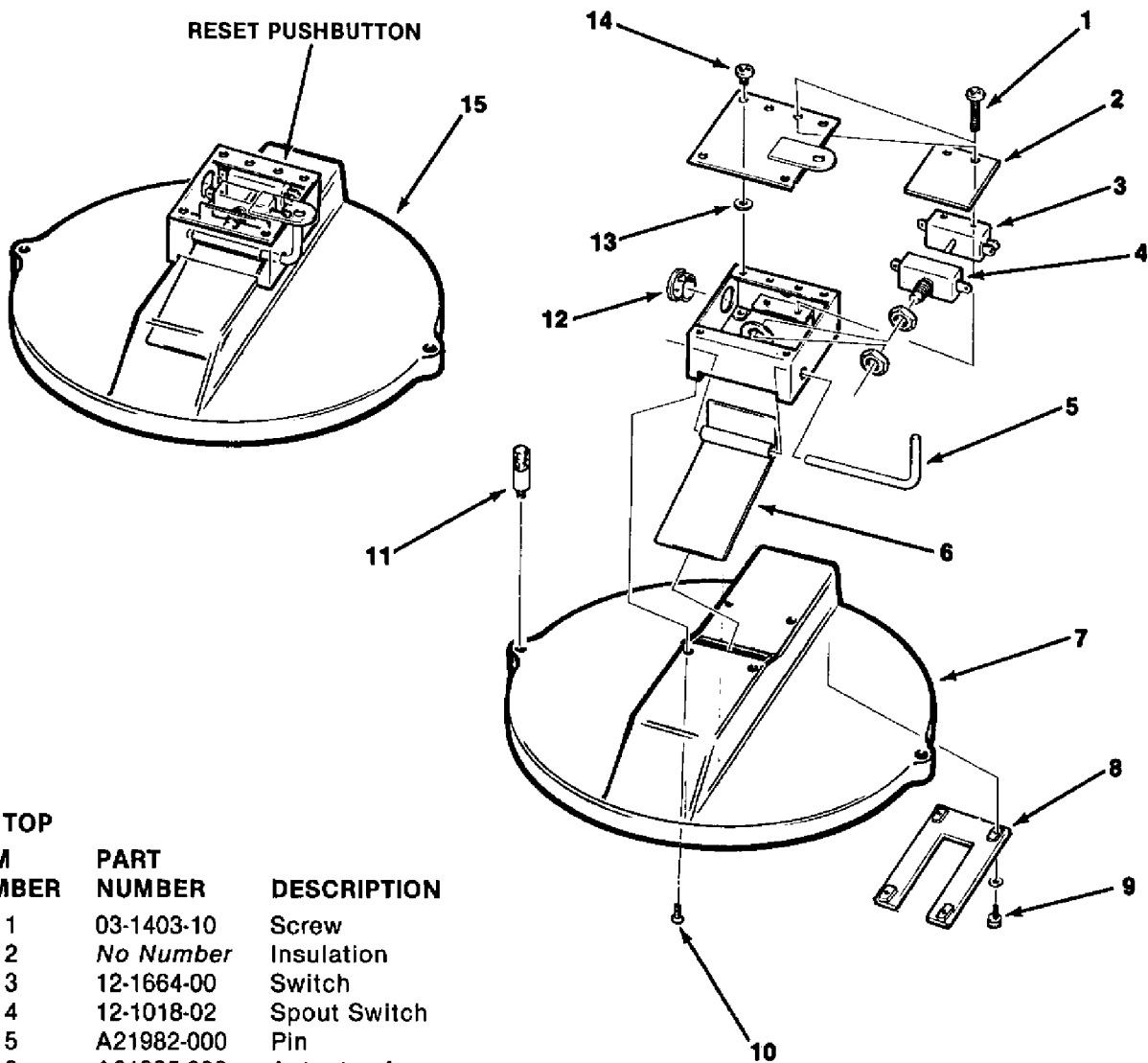
**FD5**  
**THE PARTS ILLUSTRATION AND PARTS LISTINGS**



**COMPRESSOR ASSEMBLY**

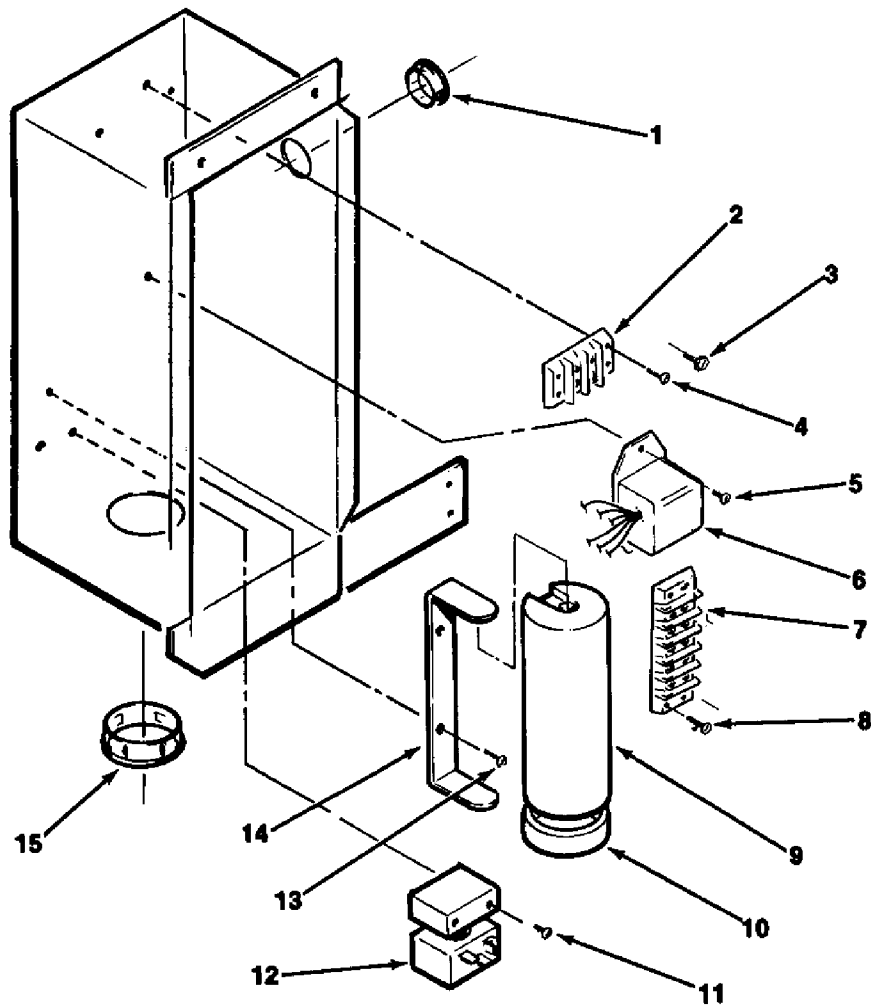
ITEM NUMBER	PART NUMBER	DESCRIPTION
1	03-1406-10	Hex Nut
2	03-1407-07	Plain Washer
3	18-2200-27	Mounting Sleeve
4	18-2200-28	Mounting Grommet
5	18-2200-25	Overload
6	18-2200-01	Compressor (Complete)

**FD5**  
**THE PARTS ILLUSTRATION AND PARTS LISTINGS**



<b>BIN TOP ITEM NUMBER</b>	<b>PART NUMBER</b>	<b>DESCRIPTION</b>
1	03-1403-10	Screw
2	<i>No Number</i>	Insulation
3	12-1664-00	Switch
4	12-1018-02	Spout Switch
5	A21982-000	Pin
6	A21995-000	Actuator Arm
7	02-1757-00	Bin Top
8	A21987-000	Bridge Plate
9	03-0727-05	Thumb Screw
10	03-1403-27	Screw
11	A21983-000	Nut, Bin Top
12	12-1213-07	Snap Bushing
13	03-1417-03	Lockwasher
14	03-1403-10	Screw
15	A22025-001	Bin top, Complete

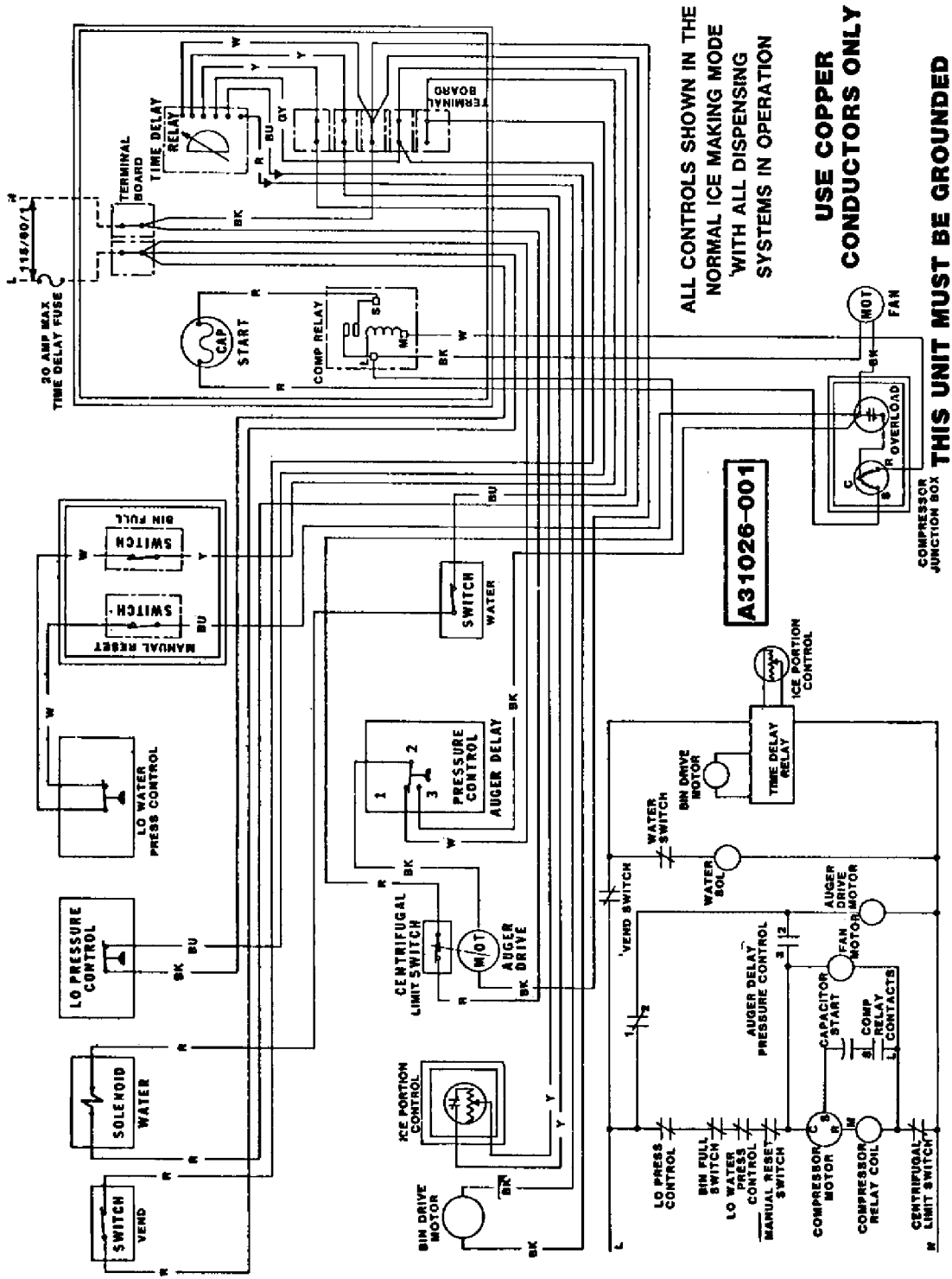
**FD5**  
**THE PARTS ILLUSTRATION AND PARTS LISTINGS**



**CONTROL BOX ASSEMBLY**

ITEM NUMBER	PART NUMBER	DESCRIPTION
1	12-1213-10	Bushing
2	12-0813-04	Terminal Board
3	03-1578-01	Ground Screw
	03-1629-01	Cup Washer
4	03-1403-21	Screw, No. 8-32 x 3/4
5	03-1403-17	Screw, No. 8-32 x 3/8
6	A27857-001	Time Delay Relay
7	12-0813-07	Terminal Board
8	03-1403-21	Screw, No. 8-32 x 3/4
9	18-1901-33	Start Cap
10	18-3724-01	Capacitor Cap
11	03-1403-10	Screw, No. 6-32 x 1-1/4
12	18-2200-26	Relay
13	03-1418-30	Screw, No. 8-32 x 1/2
14	18-2200-39	Capacitor Bracket
15	12-1213-14	Bushing

# FD5 WIRING DIAGRAM



**ALL CONTROLS SHOWN IN THE  
 NORMAL ICE MAKING MODE  
 WITH ALL DISPENSING  
 SYSTEMS IN OPERATION**

**USE COPPER  
 CONDUCTORS ONLY**

**THIS UNIT MUST BE GROUNDED**

Wiring Diagram, FD5AE-1C (115/60/1) Air-Cooled

