

HQD550 Parts List

Table of Contents

Cabinet

Water & Drains

Dispensing System

Air Cooled

Water Cooled

Elbow & Switch

Drive Motor

Evaporator

Compressor

Bin Top

Control Box

Wiring Diagrams

Kits

HQD550 THE PARTS ILLUSTRATIONS AND PARTS LISTS

GENERAL

This section contains the Parts Illustrations and the Parts List for each of the major assemblies in the HQD550 High Quality Ice Dispenser.

A *No Number* designation, when used in the Part Number Column indicates the unit is not available from SCOTSMAN as an assembly. This designation is used only for the convenience and clarity of division in cataloging.

HOW TO ORDER PARTS OR ASSEMBLIES

When ordering parts or assemblies, to avoid costly delays and errors in shipment, give the part number, the complete description shown in the list, and the quantities of each part or assembly required. Also include the model name, the serial number of the icemaker for which the part is required and for parts which require color matching, the color of the cabinet.

All part numbers have TEN DIGITS (spaces), required for use in the Computer System. BE SURE to fill in ALL SPACES in the CATALOG NUMBER column, on the parts order form.

Enter the QUANTITY of the parts ordered, in the last digit column under the QUANTITY column heading, the one under the small 55 number, for parts from 1 thru 9. For 10 or more parts use two columns.

WIRING DIAGRAMS

This section is provided as an aid in understanding the electrical circuitry of the HQD550 High Quality Ice Dispenser.

The wiring diagrams in this Section are:
HQD550AE-1C (115/60/1) Air-Cooled
HQD550WE-1C (115/60/1) Water-Cooled

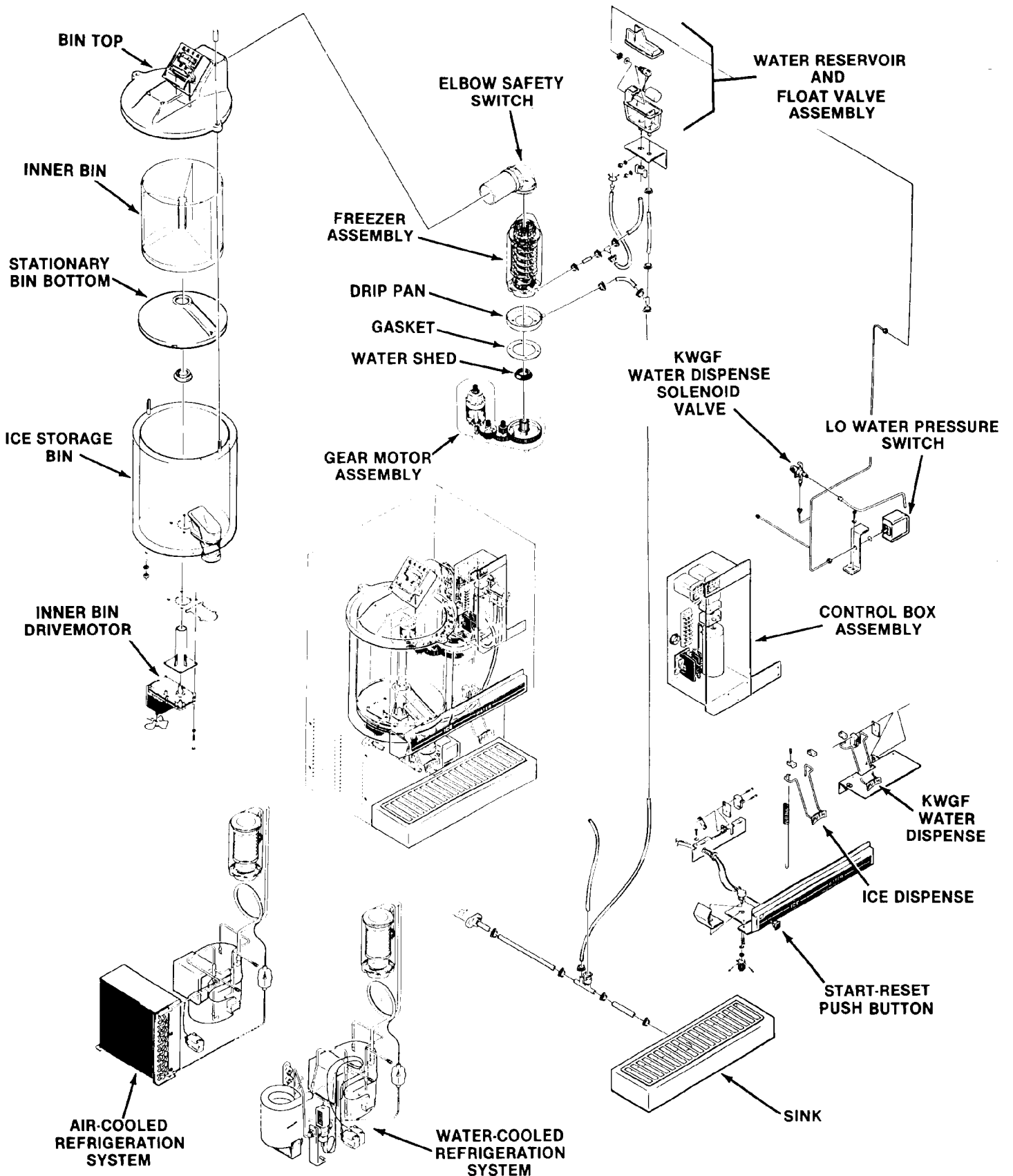
//////////////////// **WARNING** //////////////////////

When conducting a continuity check of the modular cuber:

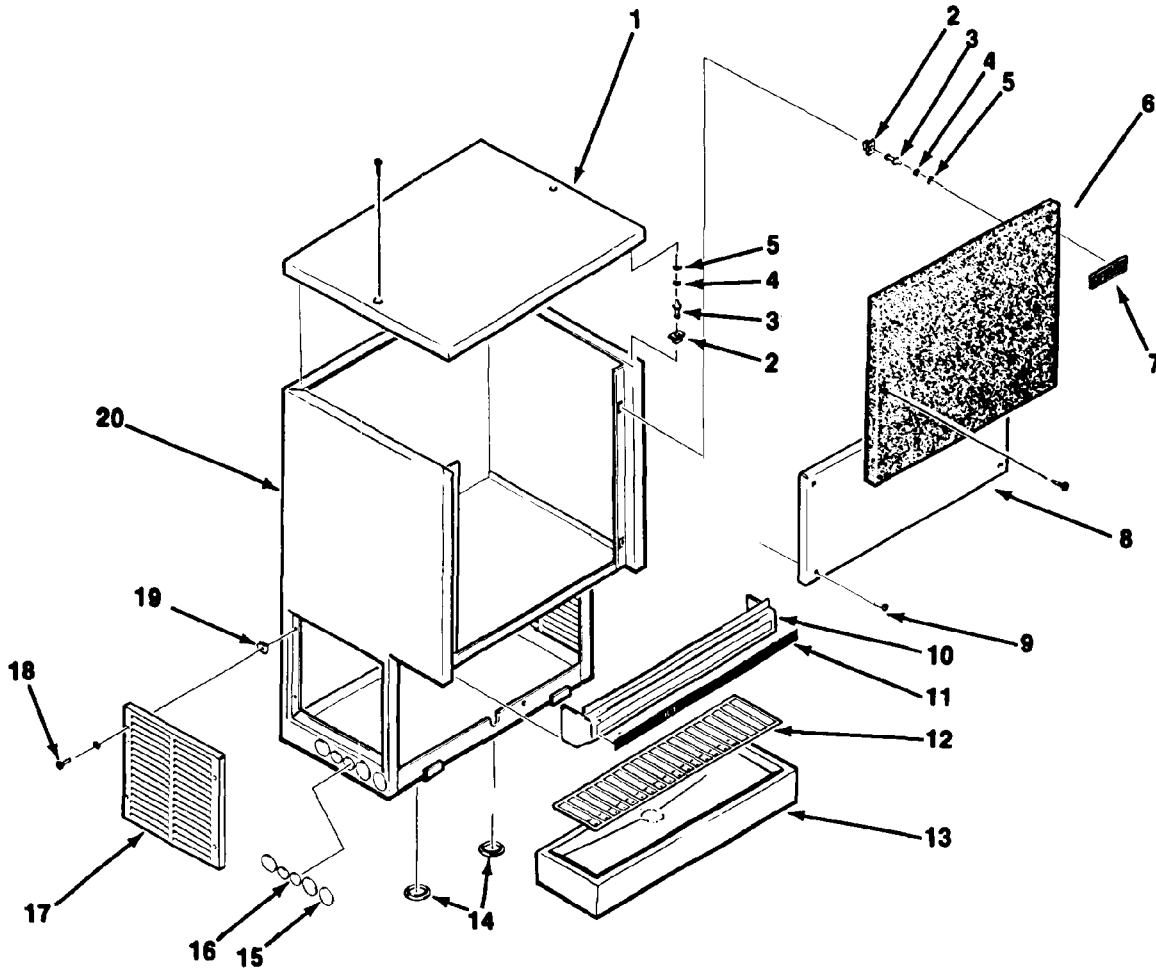
1. Disconnect the main power source.
2. DO NOT use an incandescent lamp or jumper wire, conduct all tests with a volt-ohm-meter.

////////////////////////////////////

HQD550 THE PARTS ILLUSTRATIONS AND PARTS LISTS



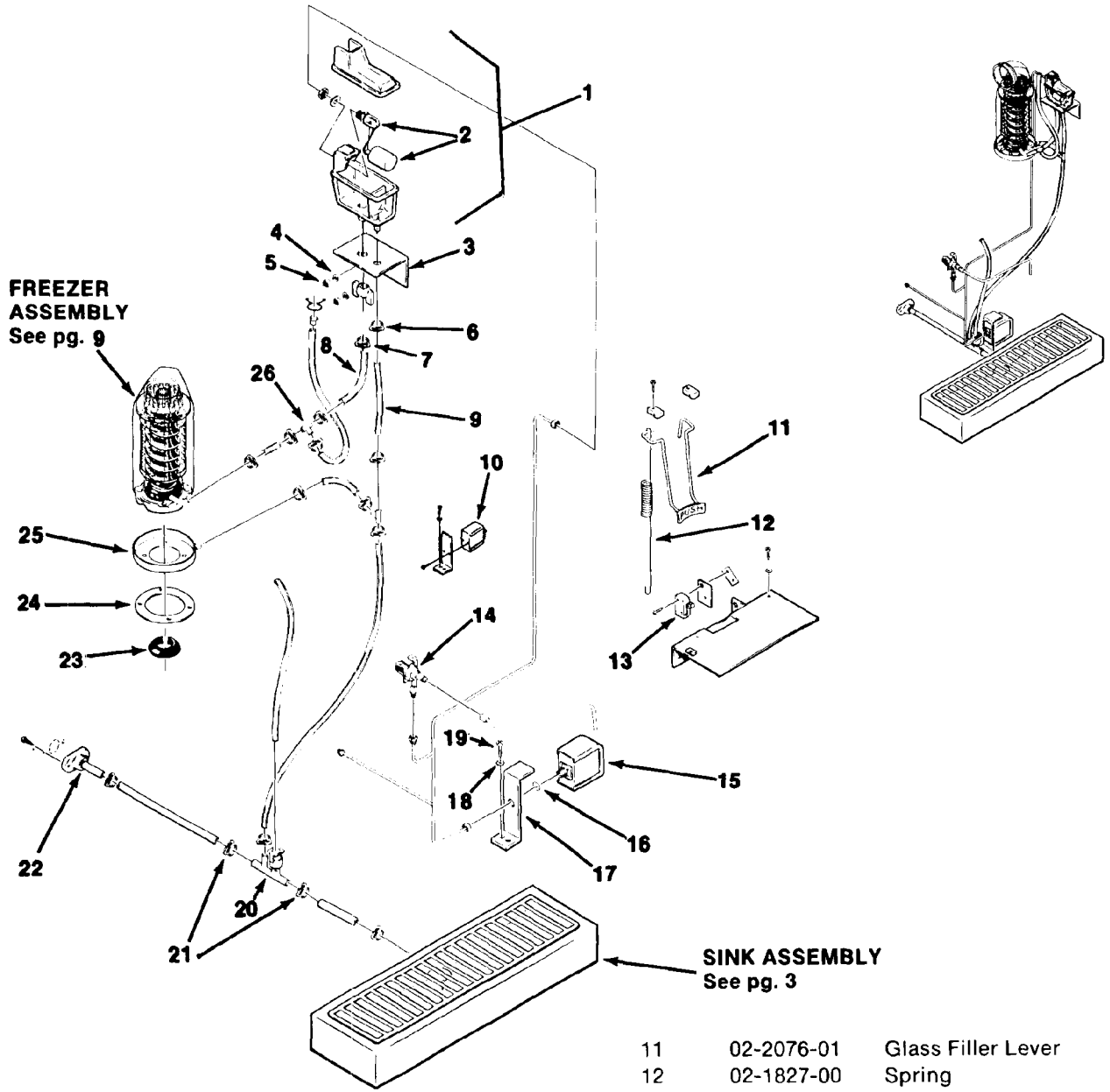
HQD550 THE PARTS ILLUSTRATIONS AND PARTS LISTS



CABINET ASSEMBLY

ITEM NUMBER	PART NUMBER	DESCRIPTION	ITEM NUMBER	PART NUMBER	DESCRIPTION
1	A32113-002	Cabinet Top, Enamel	10	A30242-004	Panel Control Assembly, Enamel
	A32113-001	Cabinet Top, Stainless Steel		A30242-003	Panel Control Assembly, Stainless Steel
2	02-0836-00	Catch (8 required)	11	15-0560-01	Decal
3	15-0411-00	Strike (8 required)	12	02-1858-00	Grill
4	03-1410-07	Nut, No. 8-32 Hex	13	A23212-000	Sink Assembly
5	03-1406-03	Lockwasher, No. 8 External Tooth	14	No Number	Plug Button
6	A32112-001	Upper Front Panel, Cork Vinyl	15	No Number	Hole Plug
	A32112-002	Upper Front Panel, Stainless Steel	16	No Number	Hole Plug
7	15-0681-01	Scotsman Emblem	17	A24140-004	Panel - Cond. Access, Enamel
8	A19339-000	Splash Panel, Stainless Steel		A24140-002	Panel - Cond. Access, Stainless Steel
9	03-1419-09	Screw, No. 8 x 1-1/4	18	03-1419-17	Screw (8 required)
			19	03-1422-10	Speed Nut 8
			20	A31737-002	Cabinet Fab. Assembly, Enamel
				A31737-001	Cabinet Fab. Assembly, Stainless Steel
			21	03-1419-09	Panel Screw

HQD550 THE PARTS ILLUSTRATIONS AND PARTS LISTS



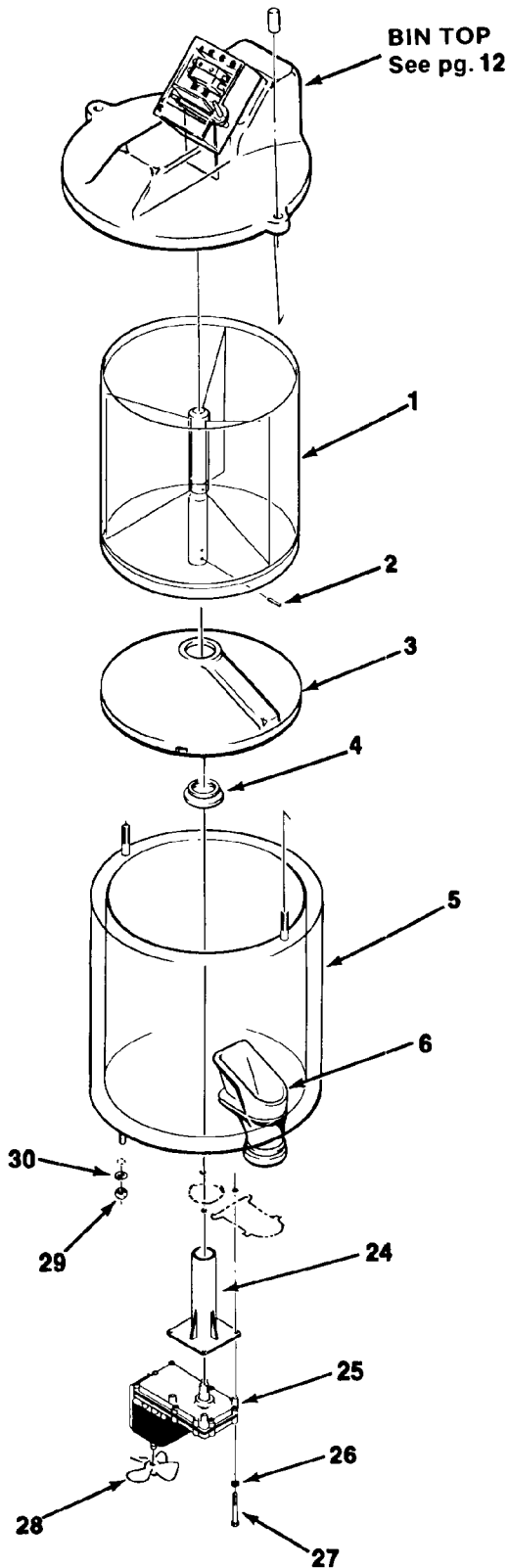
POTABLE WATER AND DRAINAGE SYSTEM

ITEM NUMBER	PART NUMBER	DESCRIPTION
1	02-2217-01	Reservoir Assembly
2	02-2217-02	Valve and Float Reservoir
3	A20959-000	Bracket Reservoir
4	03-1410-02	Lockwasher, No. 10
5	03-1406-06	Nut, No. 10-24 Hex
6	02-0694-00	Clamp
7	02-0534-00	Clamp
8	13-0674-09	Tube (to freezer) 9" (order per ft.)
9	13-0079-03	Tube (overflow to drain) 38" (order per ft.)
10	11-0402-01	Auger Delay

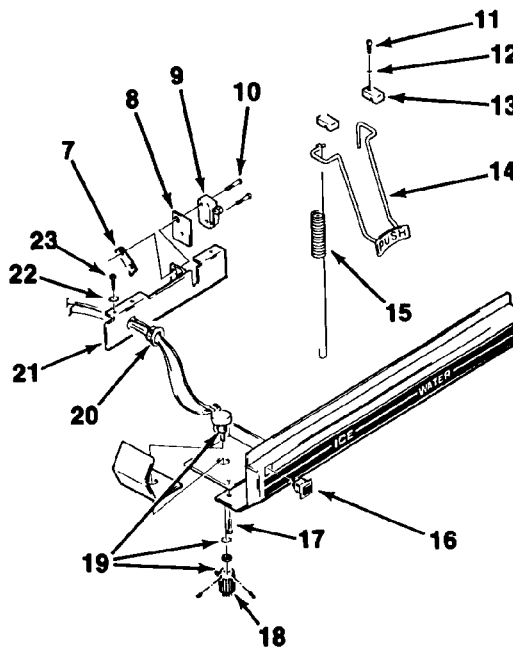
11	02-2076-01	Glass Filler Lever
12	02-1827-00	Spring
13	12-1642-00	Switch
14	12-1646-01	Water Solenoid
15	11-0296-00	Pressure Control Water
16	No Number	Washer, Rubber
17	No Number	Bracket, Water Pressure
18	03-1417-09	Lockwasher, 1/4
19	03-1406-09	Nut, 1/4-20 Hex
20	No Number	Double Tee
21	02-0534-00	Clamp
22	A31757-001	Drain Fab. Assembly (C Model only)
23	13-0709-02	Water Shed (C Model)
24	13-0704-00	Gasket (C Model)
25	A24156-002	Drip Pan (C Model)
26	16-0670-02	Tee, Plastic

HQD550 THE PARTS ILLUSTRATIONS AND PARTS LISTS

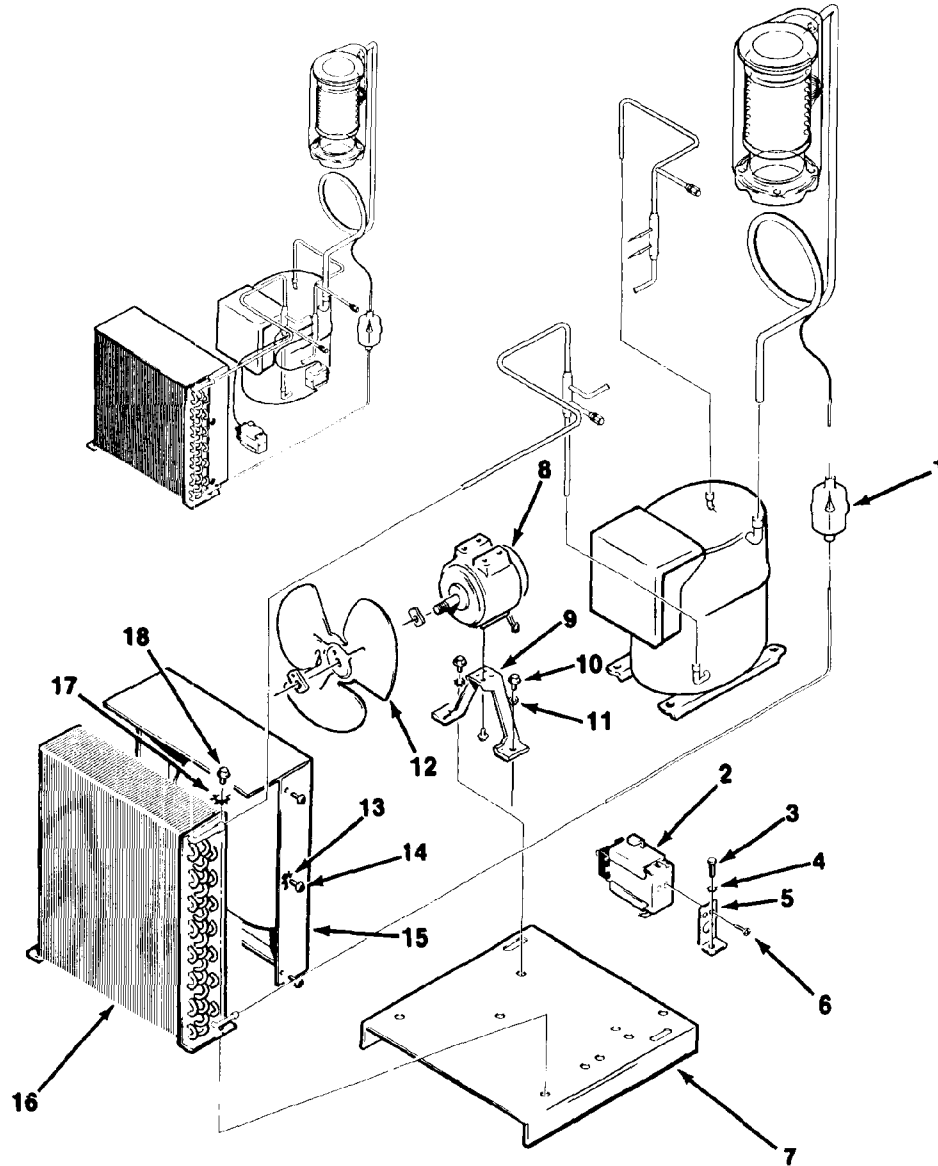
ICE DISPENSING SYSTEM



ITEM NUMBER	PART NUMBER	DESCRIPTION
1	A19349-001	Inner Bin (A & B Models)
2	03-1590-01	Shaft Pins
3	A30289-001	Inner Bin Bottom Assembly
4	13-0747-00	Water Shed
5	A31761-001	Bin Assembly, Insulation
6	13-0838-01	Rubber Spout
7	A22053-000	Speed Nut, Twin
8	No Number	Insulation
9	12-1642-00	Switch
10	03-1403-62	Screw, 4-40 x 7/8
11	03-1403-06	Panhead Machine Screw
12	03-1417-14	Lockwasher
13	02-1969-00	Arm Clamp
14	02-2076-01	Glass Filler Lever
15	02-1827-00	Spring
16	12-2199-01	Switch, Start Reset
17	03-1404-09	Screw, No. 8 x 1/2
18	02-1810-00	Knob, Pointer
19	12-2176-01	Potentiometer
20	12-1213-10	Snap Bushing
21	No Number	Switch Plate Assembly
22	03-1417-03	Lockwasher
23	03-1403-16	Panhead Machine Screw
24	02-1971-00	Gear Motor, Bracket
25	12-2315-01	Bin Drivemotor
26	03-1410-02	Lockwasher
27	03-1403-36	Panhead Machine Screw
28	12-0675-25	Fan Blade
29	03-1406-09	Hex Nut
30	03-1410-03	Lockwasher



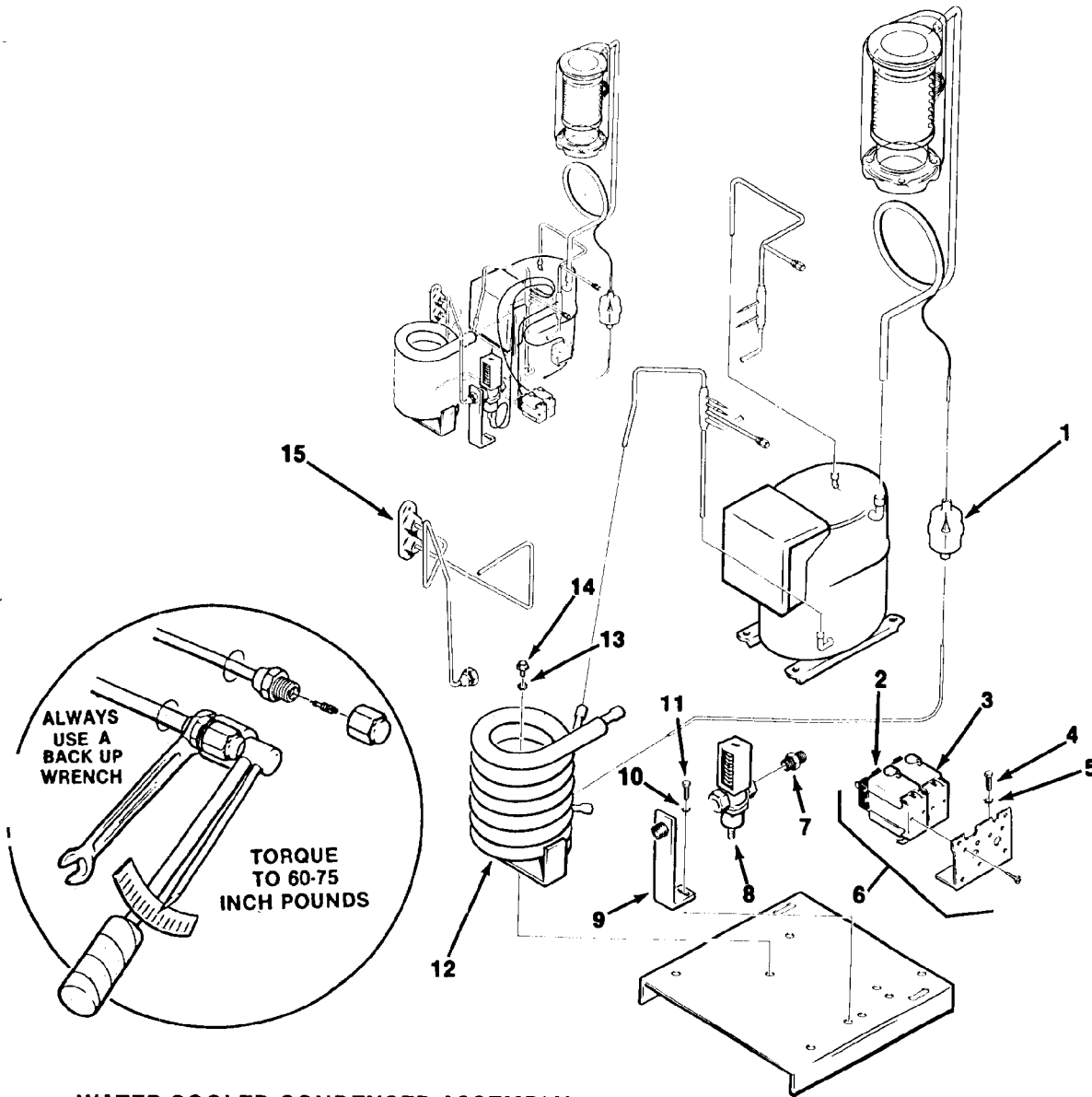
HQD550 THE PARTS ILLUSTRATIONS AND PARTS LISTS



AIR-COOLED CONDENSER ASSEMBLY

ITEM NUMBER	PART NUMBER	DESCRIPTION
1	02-2426-01	Drier
2	11-0420-01	Low Pressure Control
3	03-0571-00	Screw, 1/4-20 x 1/2
4	03-1417-09	Lockwasher, 1/4
5	No Number	Bracket Pressure Control
6	03-1403-02	Screw, #6-32 x 1/4
7	No Number	Base
8	12-1576-01	Fan Motor
9	18-0422-00	Fan Bracket
10	03-0571-00	Screw, 1/4-20 x 1/2
11	03-1410-03	Lockwasher, 1/4
12	18-0137-02	Fan Blade
13	03-1410-03	Washer, #10
14	03-1404-15	Phil Recess Pan HD
15	A20550-000	Shroud
16	18-1927-00	Condenser
17	03-1417-09	Lockwasher, 1/4
18	03-1405-03	Screw, 1/4-20 x 1/2

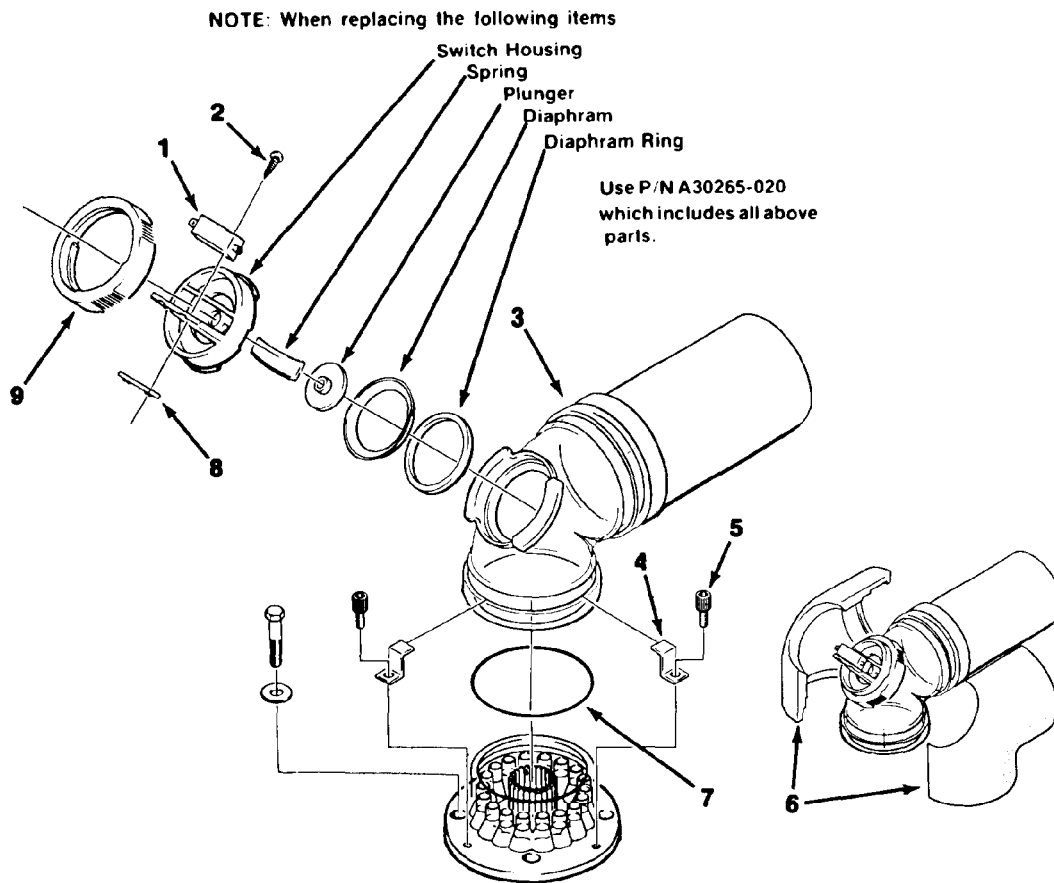
HQD550 THE PARTS ILLUSTRATIONS AND PARTS LISTS



WATER-COOLED CONDENSER ASSEMBLY

ITEM NUMBER	PART NUMBER	DESCRIPTION
1	02-2426-01	Drier
2	No Number	Lo Pressure Control
3	No Number	Hi Pressure Control
4	03-1404-08	Screw, #8 x 3/8
5	03-1417-03	Lockwasher, #8
6	11-0421-01	Pressure Control Assembly (Not Sold Separately)
7	No Number	Coupling
8	11-0198-02	Water Regulator
9	A15924-000	Pipe Nipple Assembly
10	13-1410-03	Lockwasher, 1/4
11	03-0571-00	Screw, 1/4-20 x 1/2
12	18-3303-02	Condenser Assembly (Water-Cooled)
13	03-1417-05	Lockwasher, 1/4
14	03-0571-00	Screw, 1/4-20 x 1/4
15	A31754-001	Drain Fitting

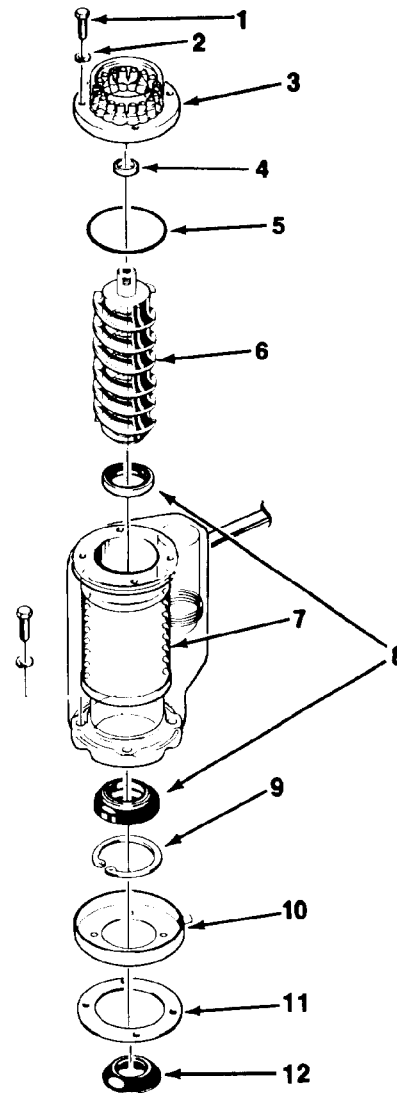
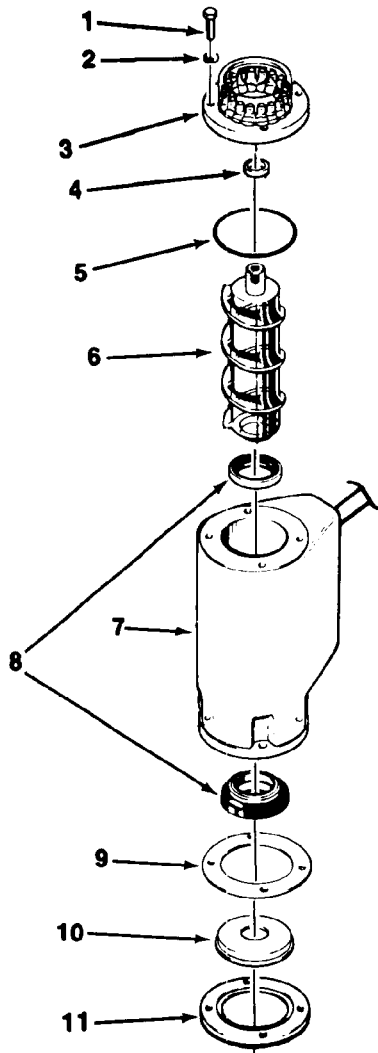
HQD550 THE PARTS ILLUSTRATIONS AND PARTS LISTS



ELBOW AND SWITCH ASSEMBLY

ITEM NUMBER	PART NUMBER	DESCRIPTION
1	12-2202-01	Switch
2	03-1403-08	Screw, No. 6-32 x 7/8
3	A30278-021	Spout Assembly
4	02-2604-01	Bracket, Spout Retaining
5	03-1544-04	Screw, No. 10-24 x 3/8 Stainless Soc HD Cap
6	A31390-001	Insulation - Includes left and right sides
7	13-0617-45	O-ring
8	03-0886-00	Speednut
9	02-2637-01	Retaining Ring

HQD550 THE PARTS ILLUSTRATIONS AND PARTS LISTS



FREEZER ASSEMBLY (A & B MODELS ONLY)

ITEM NUMBER	PART NUMBER	DESCRIPTION
1	03-1405-42	Screw, No. 5/16 - 18 x 7/8 Hex Cap
2	03-1417-13	Lockwasher, No. 5/16 Helical Spring
3	A32571-020	Ice Breaker (Includes Bearing & Seal)
4	02-2853-01	Seal
5	13-0617-46	O-Ring
6	A31839-001	Auger
7	A32429-020	Freezer Assembly
8	02-0929-01	Seal, Water
9	13-0704-00	Gasket
10	A29463-001	Adapter Freezer
11	02-2577-01	Adapter Large

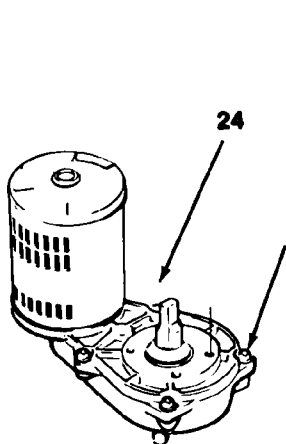
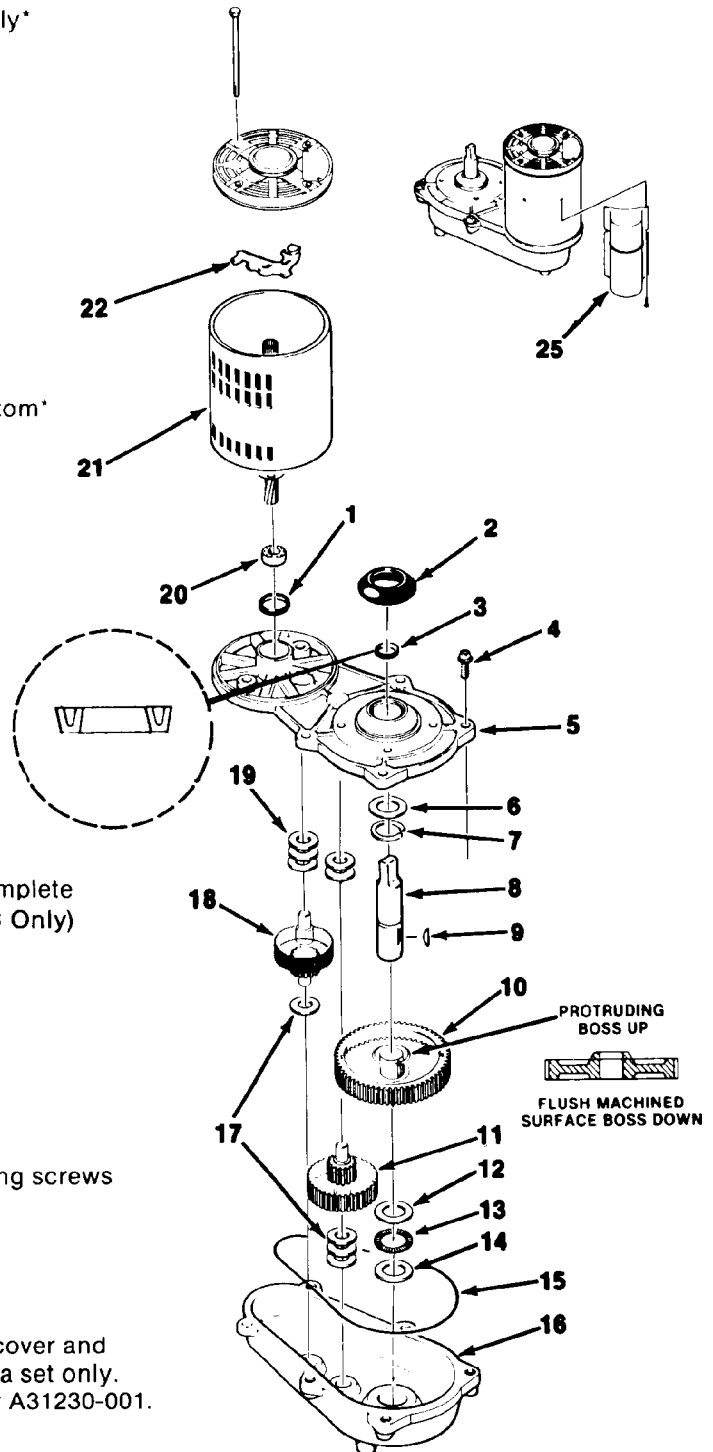
FREEZER ASSEMBLY (C MODEL OR REPLACEMENT FREEZER)

ITEM NUMBER	PART NUMBER	DESCRIPTION
1	03-1405-42	Screw
2	03-1417-13	Lockwasher
3	A32571-020	Ice Breaker (Includes Bearing & Seal)
4	02-2853-01	Seal
5	13-0617-46	O-Ring
6	A31839-001	Auger
7	A32429-020	Freezer Assembly (Includes 10, 11, 12 & 13)
8	02-0929-01	Water Seal
9	03-1558-05	Snap Ring
10	A32050-001	Drip Pan
11	13-0704-00	Gasket
12	13-0709-02	Water Shed

HQD550 THE PARTS ILLUSTRATIONS AND PARTS LISTS

DRIVE MOTOR ASSEMBLY

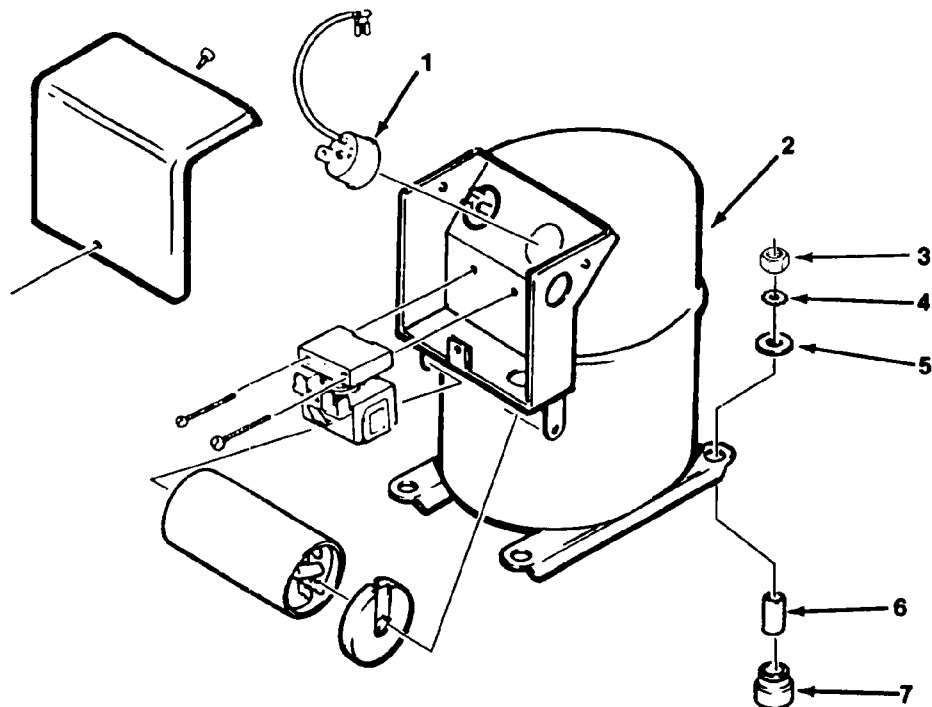
ITEM NUMBER	PART NUMBER	DESCRIPTION
1	02-1606-00	Oil Seal
2	13-0709-02	Water Shed (C Model Only)
3	02-2853-01	Oil Seal - Faces Up
4	03-1251-01	Screw*
5	A31230-001	Gear Case Cover Assembly*
6	02-1681-00	Thrust Race
7	03-1363-00	Retaining Ring
8	02-2541-01	Shaft, Output
9	03-1630-01	Key
10	02-2745-01	Gear, Output
11	02-1604-00	Third Pinion Assembly, Second Gear
12	02-1679-00	Thrust Race
13	A32368-020	Bearing (Includes Items 12, 13, & 14)
14	02-1679-00	Thrust Race
15	A26103-001	"O" Ring
16	A31230-001	Gear Case Assembly Bottom*
17	03-1408-24	Washer
18	02-1603-00	Second Pinion Assembly, First Gear
19	03-1408-24	Washer
20	12-1741-29	Bearing Shaft GE
	12-1741-20	Bearing Shaft Emerson
	12-2314-20	GE P.S.C.
21	A32425-001	Drive Motor (115 V)
22	12-1741-28	Switch, Start (General Electric) #1
	12-1741-32	Start Switch (General Electric) #2
	12-2314-21	Centrifugal Switch P.S.C.
	12-1741-22	Switch, Start (Emerson)
23	A25835-001	Gearcase Oil (1) Pint
24	A32404-021	Gearmotor Assembly Complete
25	12-2314-22	Capacitor (For G.E. PSC Only)



*NOTE: Torque cover mounting screws
250-300 inch pounds.

*NOTE: Gearcase cover and
bottom are sold as a set only.
Order Part Number A31230-001.

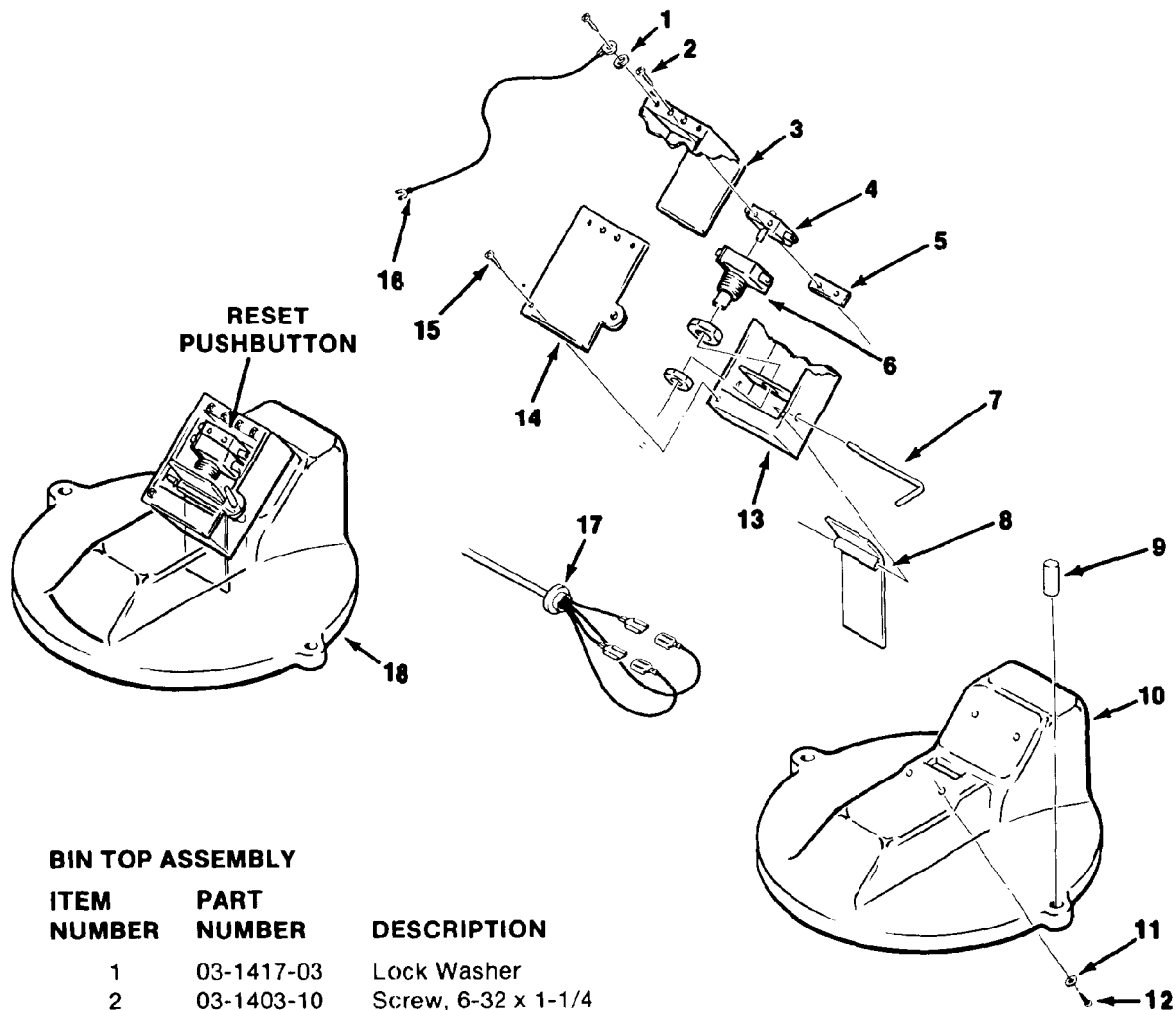
HQD550 THE PARTS ILLUSTRATIONS AND PARTS LISTS



COMPRESSOR ASSEMBLY

ITEM NUMBER	PART NUMBER	DESCRIPTION
1	18-2400-25	Overload (115/60/1)
2	18-2200-01	Compressor Assembly (115/60/1)
3	03-1406-10	Hex Nut
4	03-1410-04	Lockwasher
5	03-1407-07	Washer
6	18-2200-27	Sleeve
7	18-2200-28	Grommet

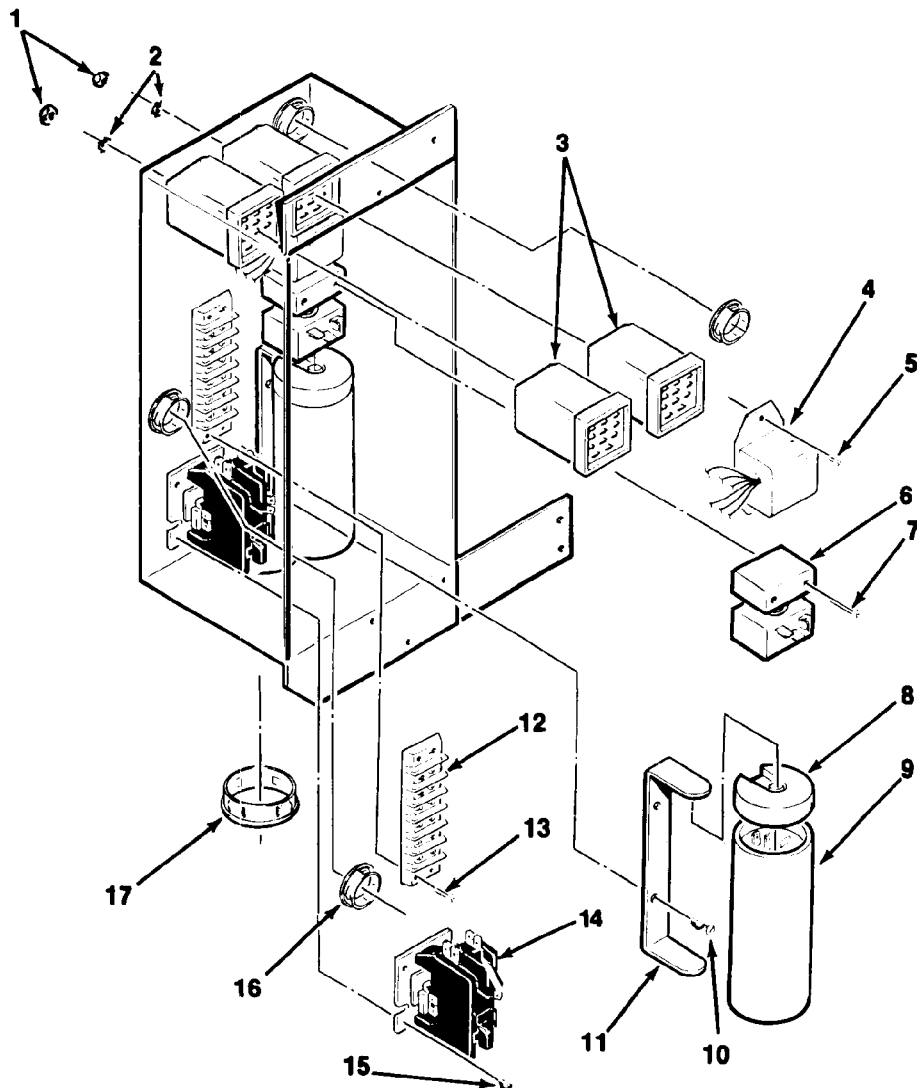
HQD550 THE PARTS ILLUSTRATIONS AND PARTS LISTS



BIN TOP ASSEMBLY

ITEM NUMBER	PART NUMBER	DESCRIPTION
1	03-1417-03	Lock Washer
2	03-1403-10	Screw, 6-32 x 1-1/4 Phil Recess Pan HD
3	No Number	Insulation
4	12-1664-00	Reset Switch
5	03-0886-00	Twin Speed Nut
6	12-1018-02	Switch Spout
7	A21982-000	Pin
8	A21995-000	Actuator Arm F.A.
9	03-0255-00	Wing Nut (2)
10	02-2639-01	Bin Top
11	03-1407-03	Washer, No. 10 Plain
12	03-1403-27	Screw, No. 10-24 x 3/8 Phil Recess
13	A21992-000	Box Fab. Assembly
14	A21996-000	Cover Fab. Assembly
15	03-1404-04	Screw, No. 6 x 1/4 T/F Tap
16	No Number	Wire Assembly (GN)
17	12-1213-07	Snap Bushing
18	A30243-001	Bin Top Assembly, Complete

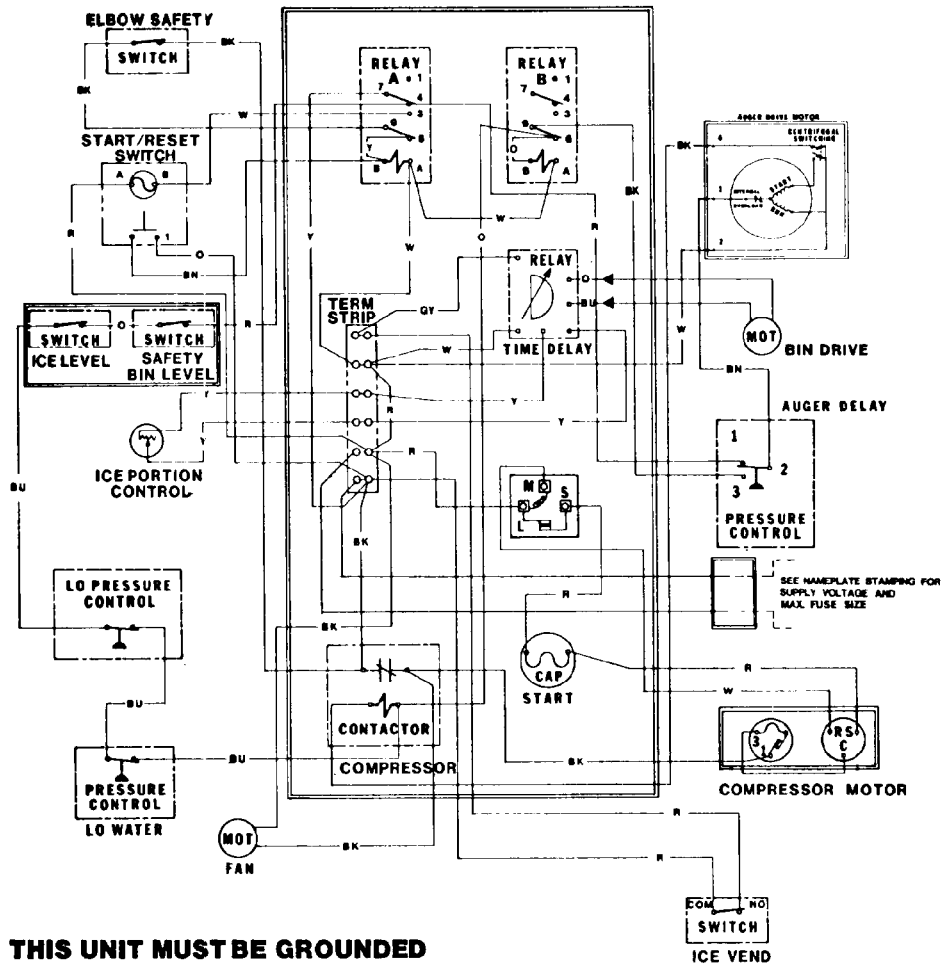
HQD550 THE PARTS ILLUSTRATIONS AND PARTS LISTS



CONTROL BOX ASSEMBLY

ITEM NUMBER	PART NUMBER	DESCRIPTION
1	03-1406-01	Nut, #6-32
2	03-1417-01	Lockwasher
3	12-2090-01	Relay
4	A27857-001	Time Delay Relay
5	03-1531-01	Screw, #8-32 x 3/8
6	18-2200-26	Relay
7	03-1531-06	Screw, #8-32 x 1-1/4
8	18-2200-38	Capacitor Cap
9	18-1901-33	Start Capacitor
10	03-1419-06	Screw, #8-32 x 1/2
11	18-2200-39	Capacitor Bracket
12	12-0813-03	Terminal Strip
13	03-1404-27	Screw, #8-32 x 3/4
14	12-2041-01	Contactor
15	03-1531-01	Screw, #8-32 x 3/8
16	12-1213-10	Bushing
17	12-1213-14	Bushing
18	A31643-001	Control Box Cover

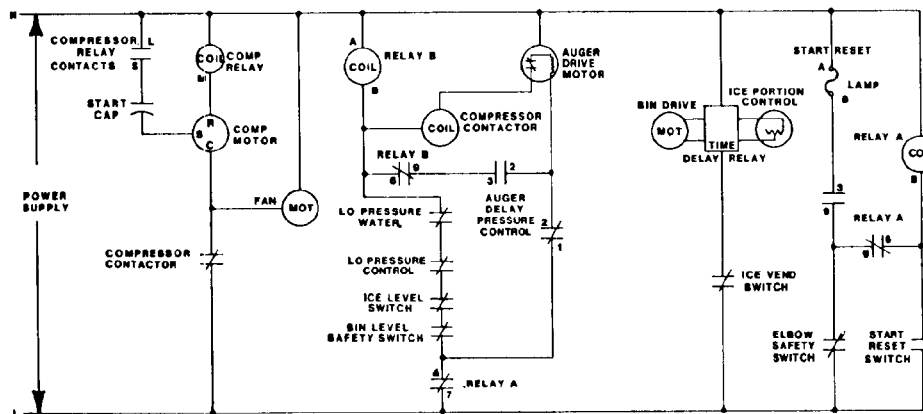
HQD550 WIRING DIAGRAM



THIS UNIT MUST BE GROUND

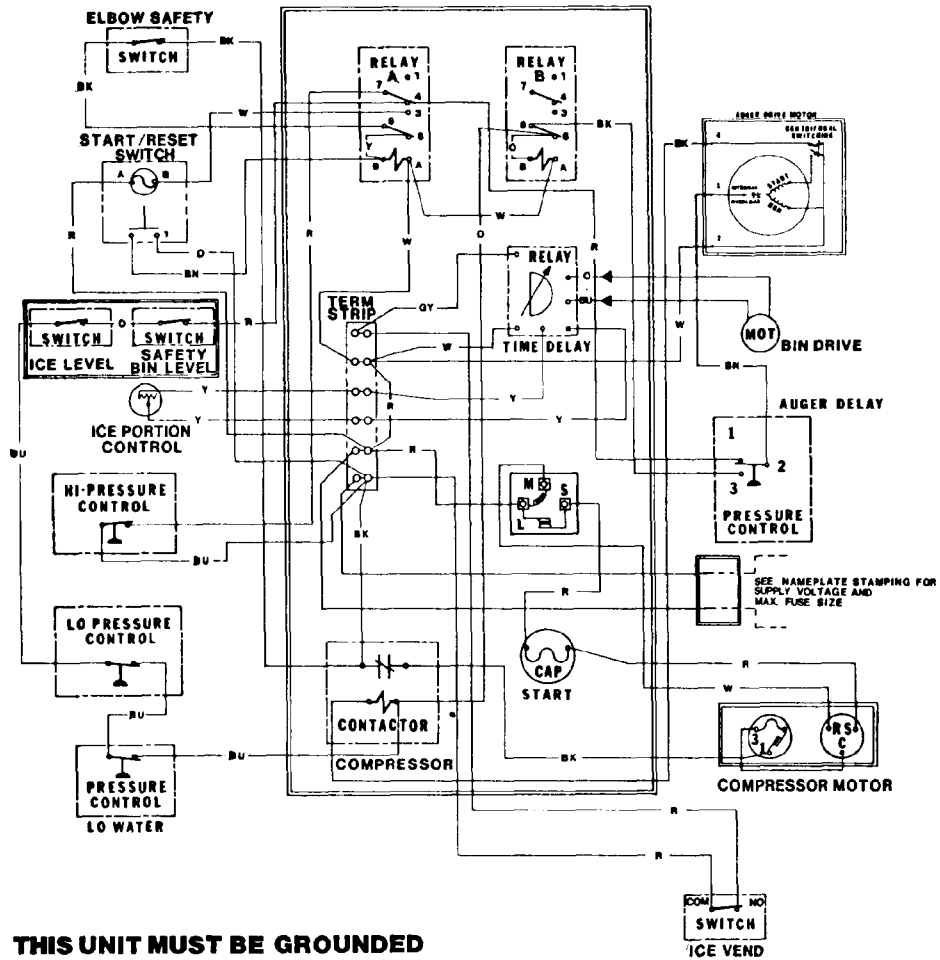
ALL CONTROLS SHOWN IN NORMAL ICE MAKING MODE WITH ALL DISPENSING SYSTEMS IN OPERATION

A31638-001



HQD550 (115/60/1) Air-Cooled Model

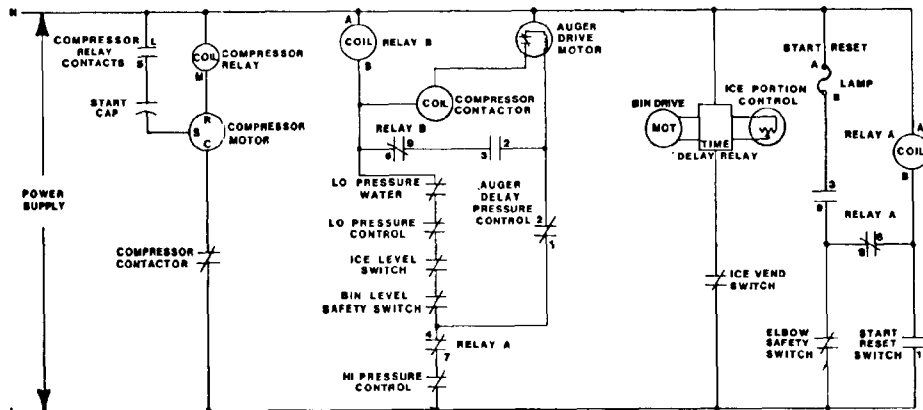
HQD550 WIRING DIAGRAM



THIS UNIT MUST BE GROUNDED

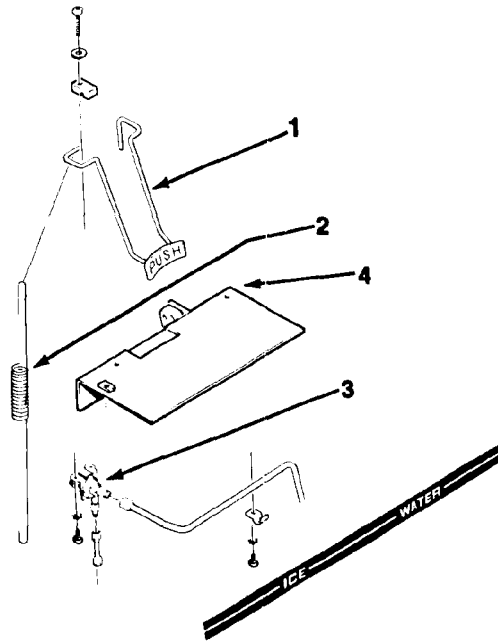
ALL CONTROLS SHOWN IN NORMAL ICE MAKING MODE
WITH ALL DISPENSING SYSTEMS IN OPERATION

A31639-001



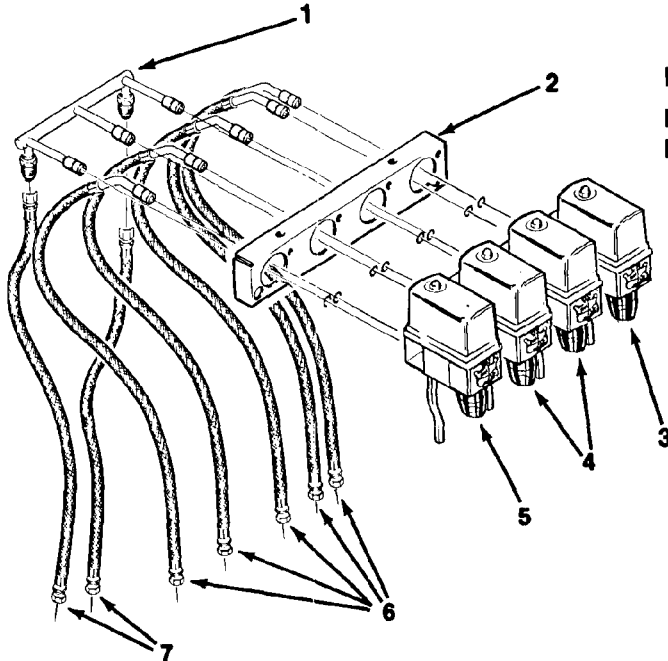
HQD550 (115/60/1) Water-Cooled Model

HQD550 THE PARTS ILLUSTRATIONS AND PARTS LISTS



KIT: KWGF WATER GLASS FILLER

ITEM NUMBER	PART NUMBER	DESCRIPTION
1	02-2076-01	Glass Filler Lever
2	02-1827-00	Spring
3	12-1646-01	Solenoid Assembly
4	12-1642-00	Switch



KIT: KV5H-30A ELECTRIC VALVE KIT

ITEM NUMBER	PART NUMBER	DESCRIPTION
1	02-2128-01	Carb. Manifold Assembl
2	A20368-000	Faucet Bracket F.A.
3	02-1205-19	Faucet
4	02-1205-16	Faucet
5	02-1205-17	Faucet
6	A30209-001	Syrup Line
7	A20547-000	Carb. Water Line
8	12-1809-00	Transformer

NOTE:

Scotsman does not stock repair parts for valves. Determine model of valve on your unit and order parts from:

McCann's Engineering & Mfg. Co.
2570 Colorado Blvd.
Los Angeles, Calif. 90039

SCOTSMAN

P/N 17-1771-20 Rev. B