

HQD750 Parts List

Table of Contents

Cabinet

Air Cooled

Water Cooled

Compressor

Water System

Elbow & Switch

Dispensing Bin

Bin Level Control

Dispensing Levers

Shutter

Evaporator

Drive Motor

Control Box

Wiring Diagrams

HQD750 THE PARTS ILLUSTRATIONS AND PARTS LISTS

GENERAL

This section contains the Parts Illustrations and the Parts List for each of the major assemblies in the HQD750 High Quality Ice Dispenser.

A *No Number* designation, when used in the Part Number Column indicates the unit is not available from SCOTSMAN as an assembly. This designation is used only for the convenience and clarity of division in cataloging.

HOW TO ORDER PARTS OR ASSEMBLIES

When ordering parts or assemblies, to avoid costly delays and errors in shipment, give the part number, the complete description shown in the list, and the quantities of each part or assembly required. Also include the model name, the serial number of the icemaker for which the part is required and for parts which require color matching, the color of the cabinet.

All part numbers have TEN DIGITS (spaces), required for use in the Computer System. BE SURE to fill in ALL SPACES in the CATALOG NUMBER column, on the parts order form.

Model HQD750's have been manufactured in A through C Models. As in HQD750AE-1A vs. HQD750AE-1C. Refer to the complete model number to obtain the correct part number.

WIRING DIAGRAMS

This section is provided as an aid in understanding the electrical circuitry of the HQD750 High Quality Ice Dispenser.

The wiring diagrams in this Section are:

HQD750AE-1A (115/60/1)
HQD750WE-1A (115/60/1)
HQD750AE-1C (115/60/1)
HQD750WE-1C (115/60/1)

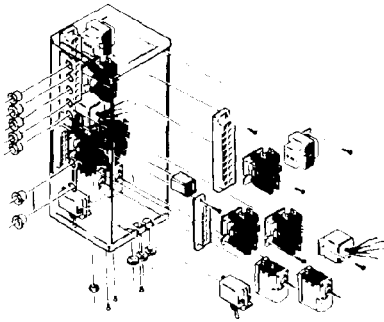
//////////////////// WARNING //////////////////////

When conducting a continuity check of the modular cuber:

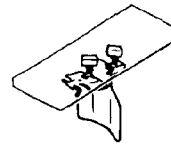
- 1. Disconnect the main power source.**
- 2. DO NOT use an incandescent lamp or jumper wire, conduct all tests with a volt-ohm-meter.**

////////////////////////////////////

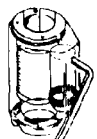
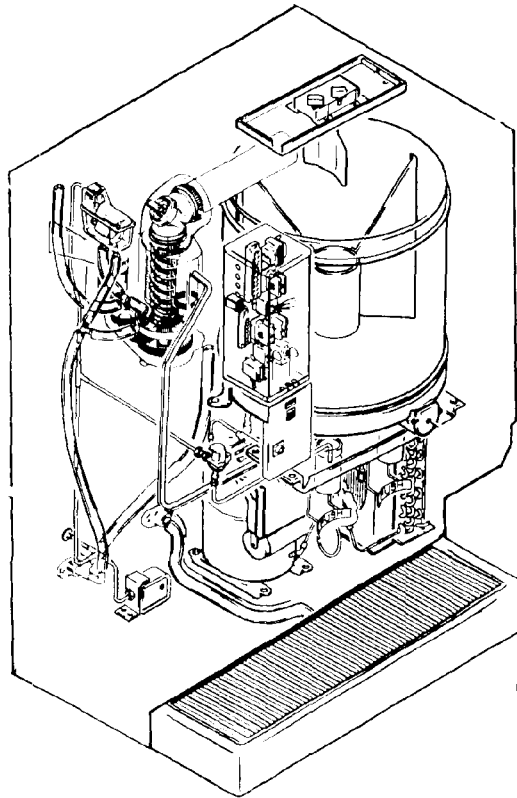
HQD750 THE PARTS ILLUSTRATIONS AND PARTS LISTS



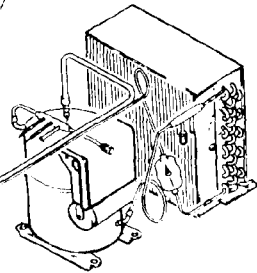
CONTROL BOX ASSEMBLY



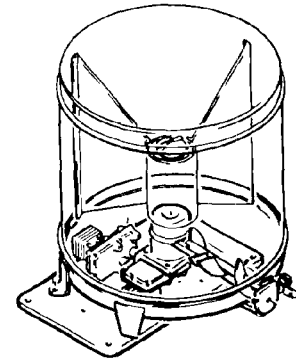
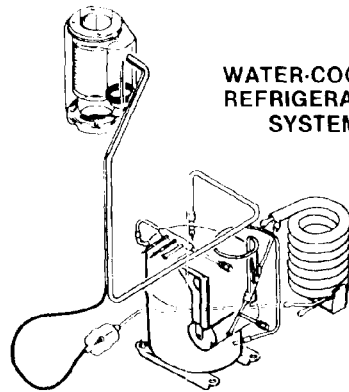
**BIN ICE LEVEL
AND
SHUT DOWN
SWITCHES**



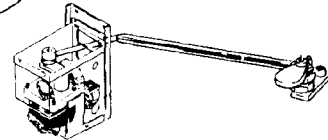
**AIR-COOLED
REFRIGERATION
SYSTEM**



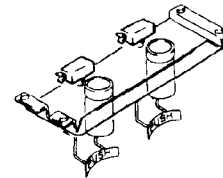
**WATER-COOLED
REFRIGERATION
SYSTEM**



BIN ASSEMBLY

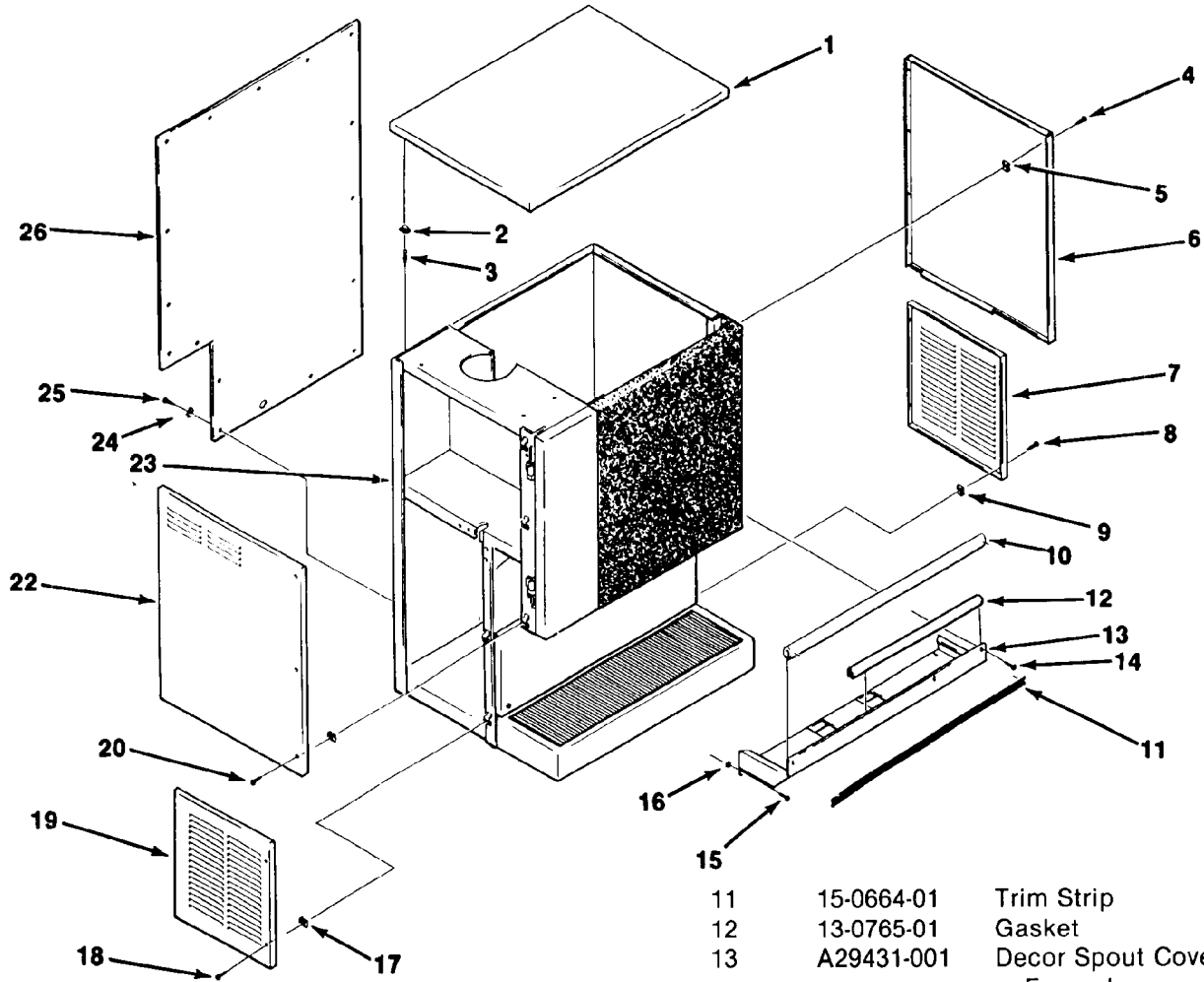


**SHUTTER ACTUATOR
ASSEMBLY**



DISPENSER ASSEMBLY

HQD750 THE PARTS ILLUSTRATIONS AND PARTS LISTS

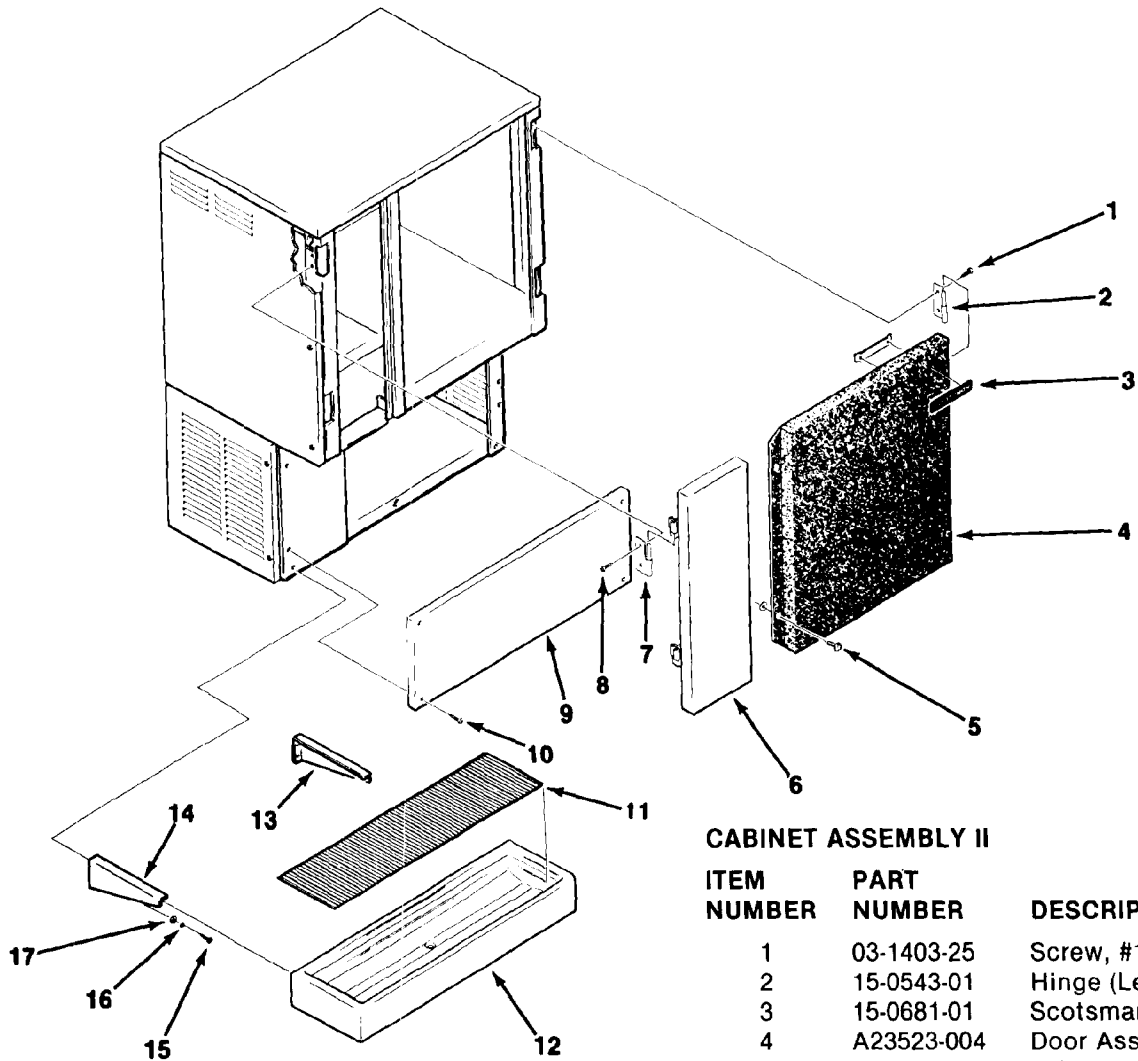


CABINET ASSEMBLY I

| ITEM NUMBER | PART NUMBER | DESCRIPTION |
|-------------|-------------|---|
| 1 | A29534-004 | Top Panel, Enamel |
| | A29534-001 | Top Panel, Stainless Steel |
| 2 | 02-0836-00 | Catch |
| 3 | 15-0411-00 | Strike |
| 4 | 03-1418-07 | Screw |
| 5 | 03-1507-01 | Speednut |
| 6 | A24852-005 | Side Panel (Right), Enamel |
| | A24852-002 | Side Panel (Right), Stainless Steel |
| 7 | A24837-010 | Lower Side Panel (Right), Enamel |
| | A24837-004 | Lower Side Panel (Right), Stainless Steel |
| 8 | 03-1419-17 | Screw |
| 9 | 03-1507-01 | Speednut |
| 10 | A25436-001 | Trim Channel |

| | | |
|----|------------|--|
| 11 | 15-0664-01 | Trim Strip |
| 12 | 13-0765-01 | Gasket |
| 13 | A29431-001 | Decor Spout Cover, Enamel |
| | A29431-002 | Decor Spout Cover, Stainless Steel |
| 14 | 03-1403-29 | Screw |
| 15 | 03-1403-29 | Screw |
| 16 | 03-1406-05 | Nut |
| 17 | 03-1507-01 | Speednut |
| 18 | 03-1419-17 | Screw |
| 19 | A24837-009 | Lower Side Panel (Left), Enamel |
| | A24837-003 | Lower Side Panel (Left), Stainless Steel |
| 20 | 03-1419-17 | Screw |
| 21 | 03-1507-01 | Speednut |
| 22 | A24853-005 | Side Panel (Left), Enamel |
| | A24853-002 | Side Panel (Left), Stainless Steel |
| 23 | No Number | Frame |
| 24 | 03-1417-09 | Lockwasher, #1/4 |
| 25 | 03-1403-47 | Screw, #1/4-20 x 1/2 |
| 26 | A32334-001 | Back Panel, Enamel |
| | A32334-002 | Back Panel, Stainless Steel |

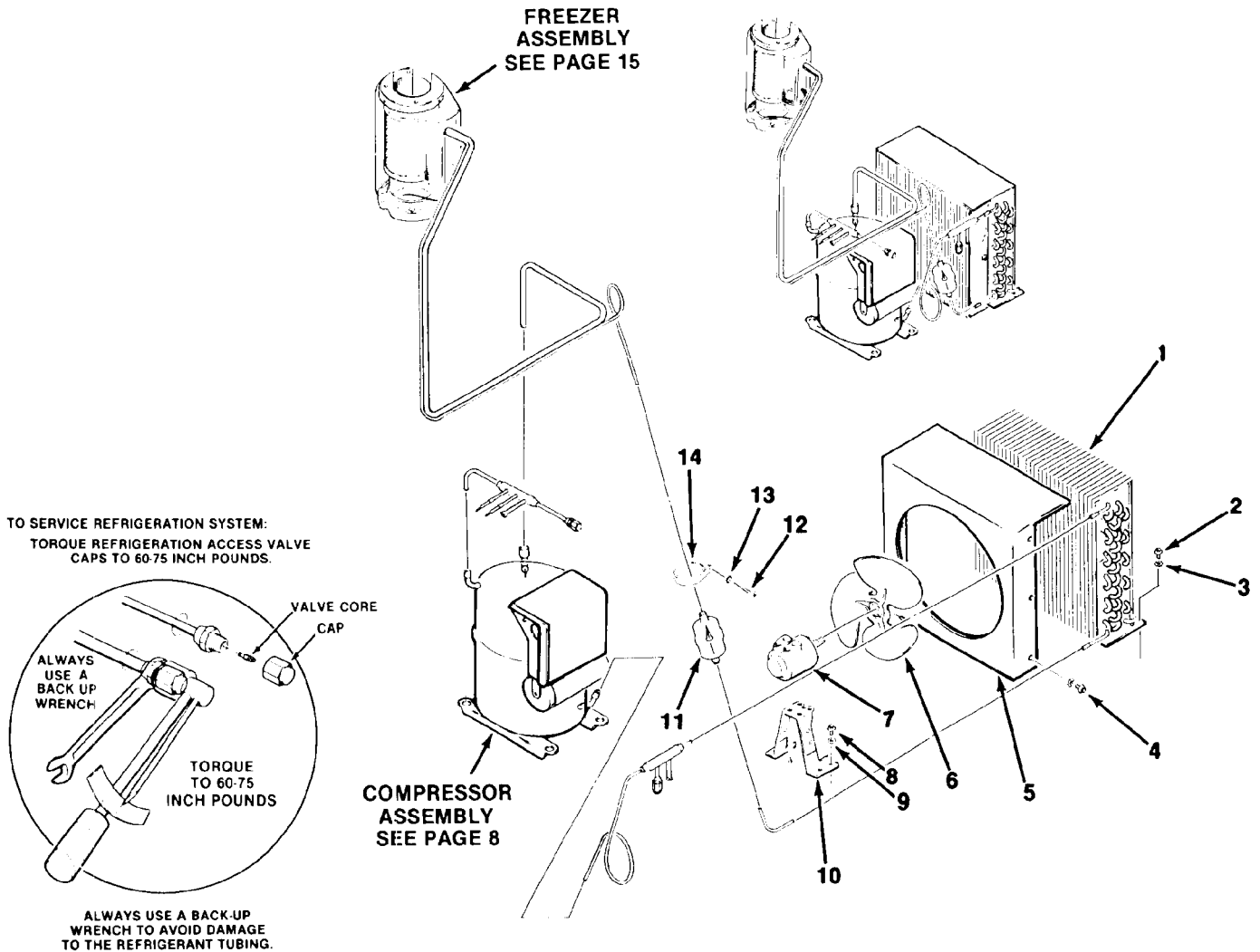
HQD750 THE PARTS ILLUSTRATIONS AND PARTS LISTS



CABINET ASSEMBLY II

| ITEM NUMBER | PART NUMBER | DESCRIPTION |
|-------------|-------------|---|
| 1 | 03-1403-25 | Screw, #10-24 x 1/4 |
| 2 | 15-0543-01 | Hinge (Left) (2) |
| 3 | 15-0681-01 | Scotsman Emblem |
| 4 | A23523-004 | Door Assembly, Enamel |
| | A23523-005 | Door Assembly, Stainless Steel |
| 5 | 03-1418-07 | Screw |
| 6 | A23702-005 | Panel Assembly (Front), Enamel |
| | A23702-002 | Panel Assembly (Front), Stainless Steel |
| 7 | 15-0543-03 | Hinge (Right) (2) |
| 8 | 03-1403-25 | Screw, #10-24 x 1/4 |
| 9 | A29422-001 | Backsplash Assembly |
| 10 | 03-1418-11 | Screw #10-24 x 1 |
| 11 | 02-2582-01 | Grill |
| 12 | A31047-001 | Sink Assembly |
| 13 | A23704-002 | Sink Support (Right) |
| 14 | A23704-001 | Sink Support (Left) |
| 15 | 03-1403-47 | Screw, #1/4-20 x 1/2 |
| 16 | 03-1407-05 | Washer, #1/4 Flat |
| 17 | 03-1410-03 | Lockwasher, #1/4 Helical Spring |

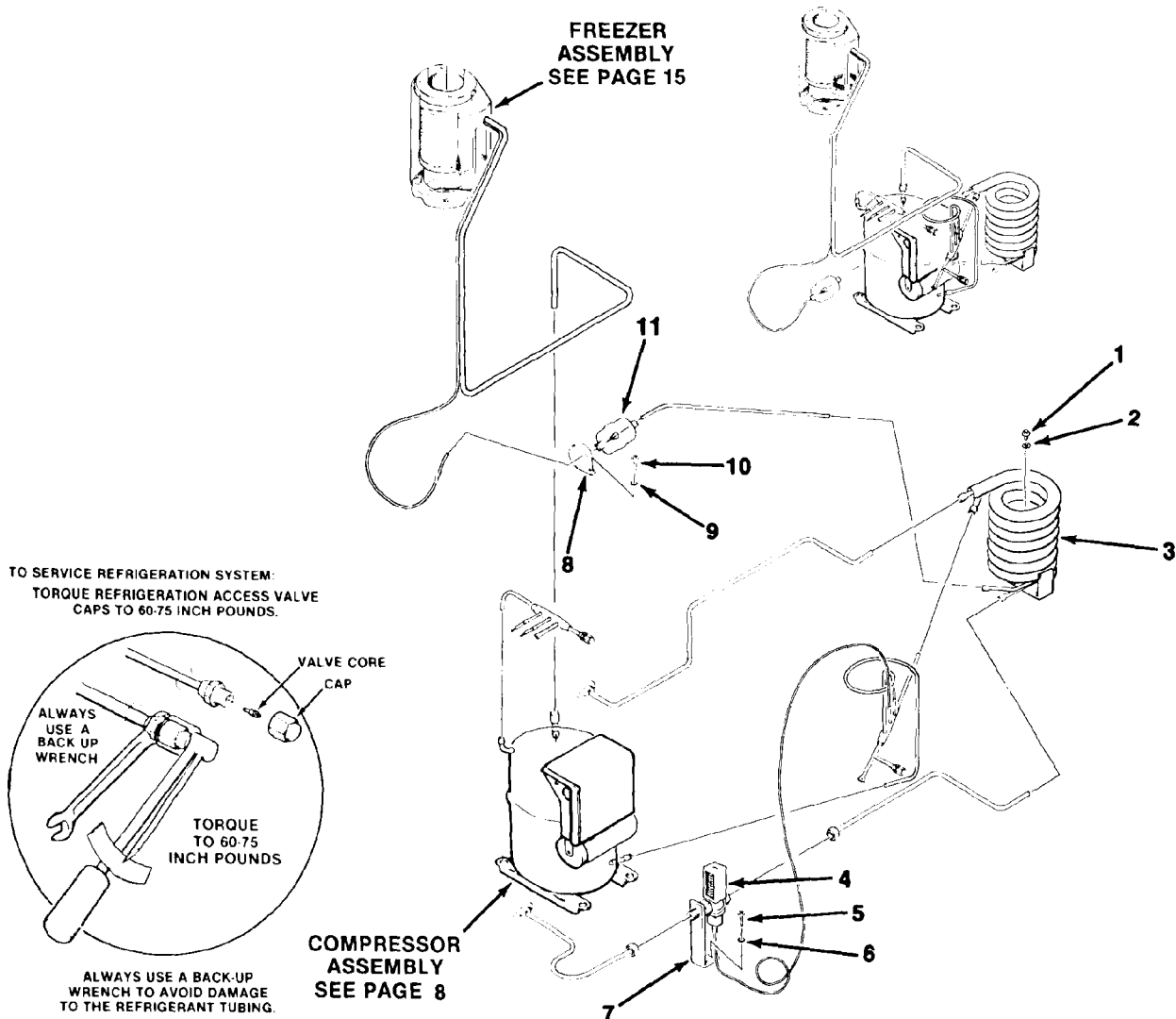
HQD750 THE PARTS ILLUSTRATIONS AND PARTS LISTS



AIR-COOLED ASSEMBLY

| ITEM NUMBER | PART NUMBER | DESCRIPTION |
|-------------|-------------|----------------------|
| 1 | 18-0396-01 | Condenser |
| 2 | 03-0571-00 | Screw, #1/4-20 x 1/2 |
| 3 | 03-1417-09 | Lockwasher, #1/4 |
| 4 | 03-1404-03 | Screw, #6-32 x 1/4 |
| 5 | 02-2352-01 | Fan Shroud |
| 6 | 18-0363-00 | Fan Blade |
| 7 | 12-1576-01 | Fan Motor |
| 8 | 03-0571-00 | Screw, #1/4-20 x 1/2 |
| 9 | 03-1417-09 | Lockwasher, #1/4 |
| 10 | A25548-001 | Fan Motor Bracket |
| 11 | 02-0544-01 | Drier |
| 12 | 03-1403-16 | Screw #8-32 x 3/8 |
| 13 | 03-1406-03 | Nut, #8-32 |
| 14 | A29117-001 | Drier Brace |

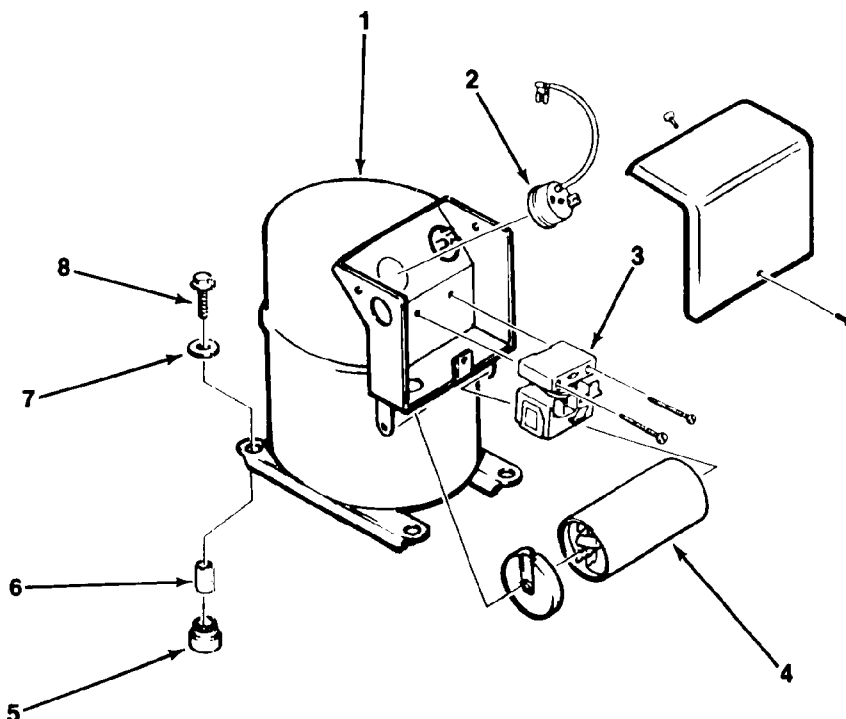
HQD750 THE PARTS ILLUSTRATIONS AND PARTS LISTS



WATER-COOLED ASSEMBLY

| ITEM NUMBER | PART NUMBER | DESCRIPTION |
|-------------|-------------|--------------------------|
| 1 | 03-0571-00 | Screw, #1/4-20 x 1/2 |
| 2 | 03-1417-09 | Lockwasher, #1/4 |
| 3 | 18-3305-02 | Condenser |
| 4 | 11-0198-02 | Water Regulator Assembly |
| 5 | 03-0571-00 | Screw, #1/4-20 x 1/2 |
| 6 | 03-1417-09 | Lockwasher, #1/4 |
| 7 | A15924-000 | Brace - Nipple Assembly |
| 8 | A09388-000 | Drier Brace |
| 9 | No Number | Screw, #1/4-20 x 3/4 |
| 10 | No Number | Lockwasher, #1/4 |
| 11 | 02-0544-01 | Drier |

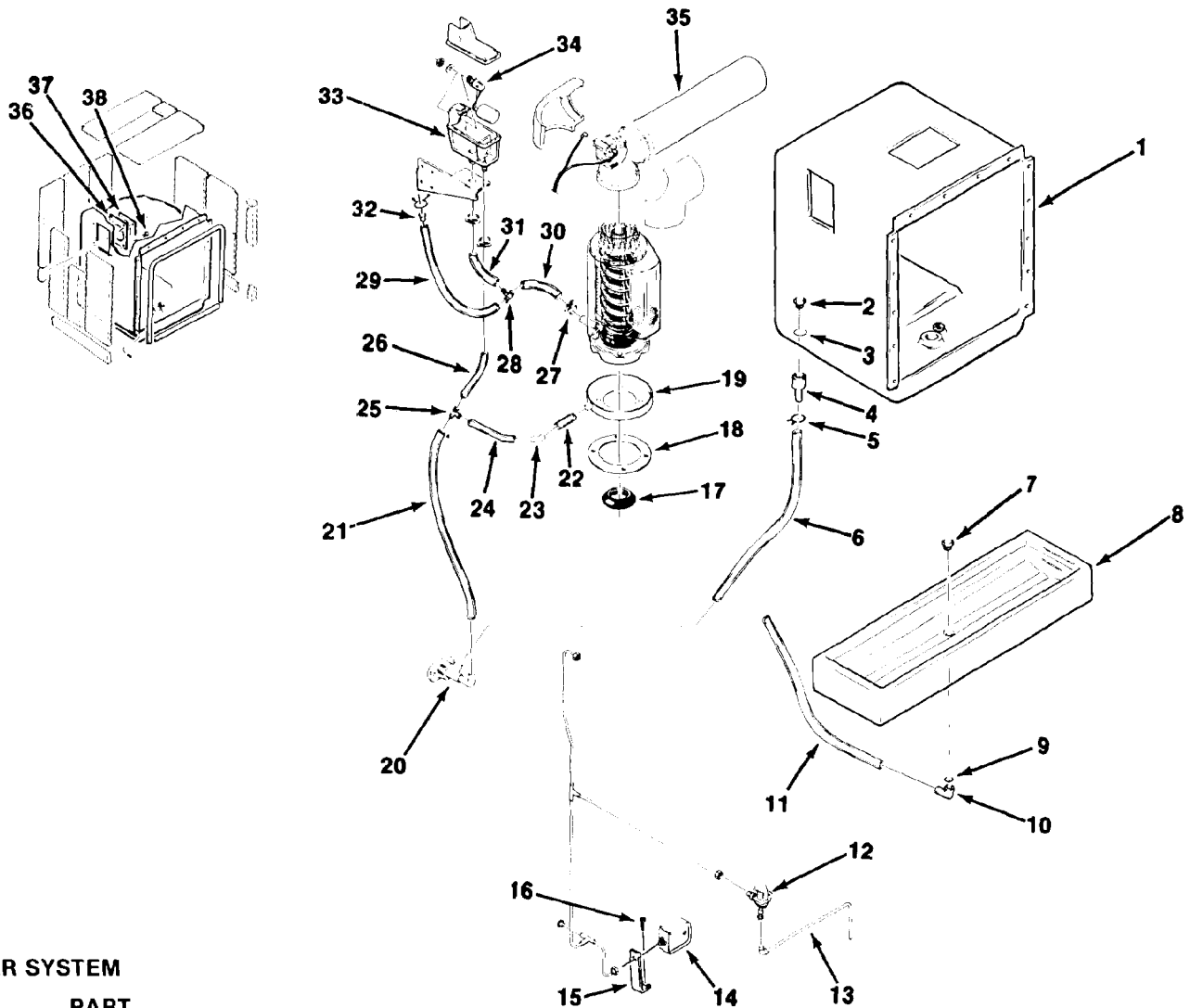
HQD750 THE PARTS ILLUSTRATIONS AND PARTS LISTS



COMPRESSOR ASSEMBLY

| ITEM NUMBER | PART NUMBER | DESCRIPTION |
|-------------|-------------|-----------------------|
| 1 | 18-3900-01 | Compressor (115/60/1) |
| 2 | 18-2400-25 | Overload (115/60/1) |
| 3 | 18-2410-00 | Relay (115/60/1) |
| 4 | 18-1901-42 | Capacitor (115/60/1) |
| 5 | 18-2200-28 | Mounting Grommet |
| 6 | 18-2200-27 | Mounting Sleeve |
| 7 | 03-1407-07 | Plain Washer |
| 8 | 03-1406-01 | Hex Nut |

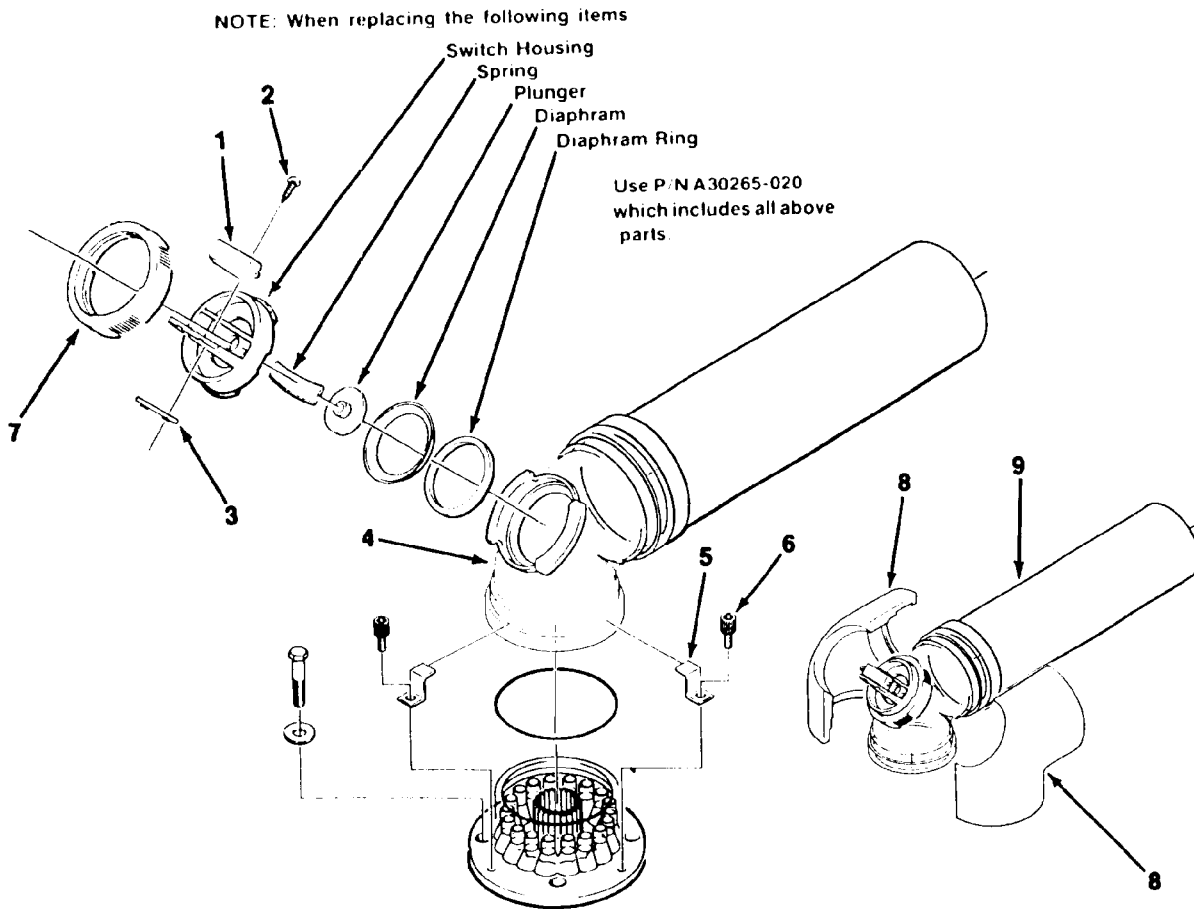
HQD750 THE PARTS ILLUSTRATIONS AND PARTS LISTS



WATER SYSTEM

| ITEM NUMBER | PART NUMBER | DESCRIPTION |
|-------------|-------------|-------------------------|
| 1 | A29424-020 | Upper Compartment |
| 2 | 02-1751-00 | Drain top |
| 3 | 13-0617-13 | O-ring |
| 4 | 02-1957-00 | Drain bottom |
| 5 | 02-1338-00 | Clamp |
| 6 | 13-0079-01 | Drain tube, 18" |
| 7 | 02-2809-01 | Drain top (Sink) |
| 8 | A31047-001 | Sink |
| 9 | 13-0617-11 | O-ring |
| 10 | 02-1742-00 | Elbow |
| 11 | 13-0079-01 | Drain tube, 18" |
| 12 | 12-1646-09 | Water Solenoid Assembly |
| 13 | No Number | Water Tube |
| 14 | 11-0296-00 | Lo Pressure Control |
| 15 | No Number | Bracket |
| 16 | 03-0571-00 | Screw, #1/4-20 x 1/2 |
| 17 | A31340-001 | Water Shed - C Model |
| 18 | 13-0704-00 | Gasket |
| 19 | A24156-002 | Drip Pan - C Model |
| 20 | A32294-001 | Drain Fitting - C Model |
| 21 | 13-0079-03 | Drain tube |
| 22 | 13-0079-03 | Drain tube, 1.25" |
| 23 | 16-0617-02 | Elbow |
| 24 | 13-0079-03 | Drain tube, 13" |
| 25 | 16-0670-02 | Tee |
| 26 | 13-0079-03 | Drain tube, 11" |
| 27 | 02-0694-00 | Clamp |
| 28 | 16-0670-02 | Tee |
| 29 | 13-0674-09 | Hose, 16" - C Model |
| 30 | 13-0674-09 | Hose, 2" |
| 31 | 13-0674-09 | Hose, Reservoir 3" |
| 32 | No Number | Plug |
| 33 | 02-2217-01 | Reservoir |
| 34 | 02-2217-02 | Float Valve Assembly |
| 35 | A30229-001 | Spout Assembly |
| 36 | A29494-001 | Spout Entry Plate |
| 37 | A29493-001 | Spout Mounting Plate |
| 38 | 03-1403-27 | Screw, "10-24 x 3/8 |

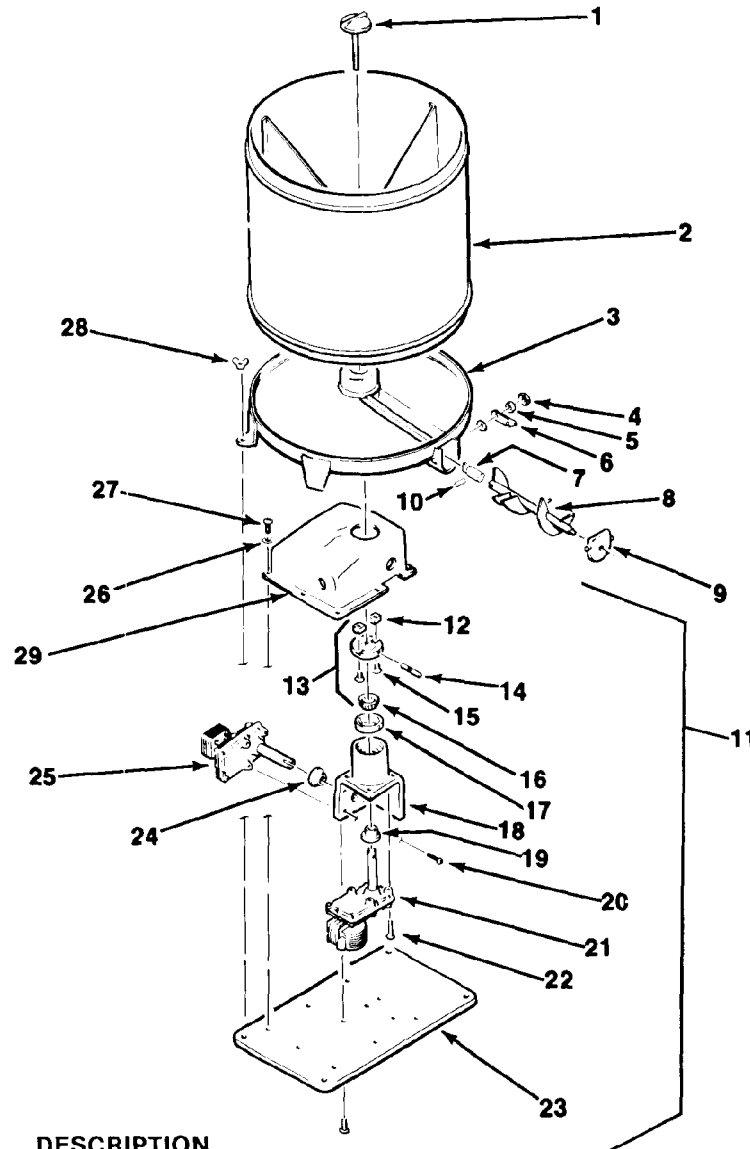
HQD750 THE PARTS ILLUSTRATIONS AND PARTS LISTS



ELBOW AND SWITCH ASSEMBLY

| ITEM NUMBER | PART NUMBER | DESCRIPTION |
|-------------|-------------|--|
| 1 | 12-2202-01 | Switch |
| 2 | 03-1403-08 | Screw, #6-32 x 7/8 |
| 3 | 03-0886-00 | Speednut |
| 4 | 02-2764-01 | Elbow Assembly |
| 5 | 02-2604-01 | Bracket, Spout Retaining |
| 6 | 03-1544-04 | Screw, #10-24 x 3/8 Stainless Soc HD Cap |
| 7 | 02-2637-01 | Retaining Ring |
| 8 | A31390-001 | Insulation - Includes left and right sides |
| 9 | A30229-001 | Ice Tube Assembly Complete |

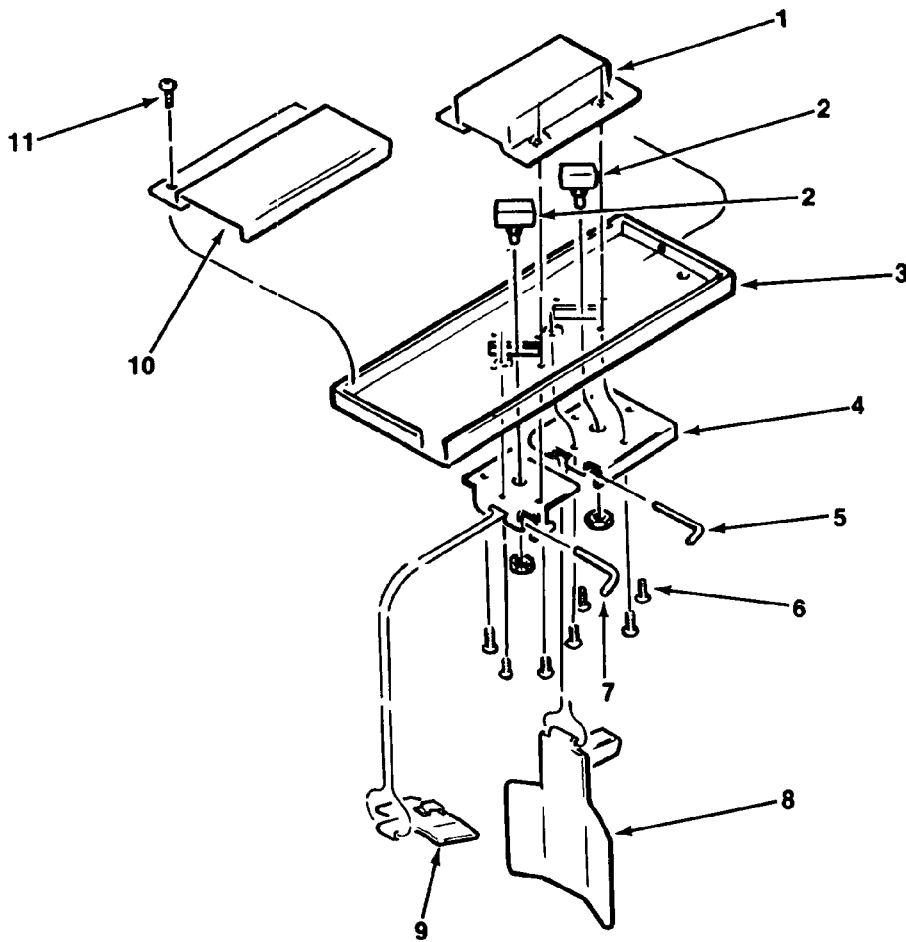
HQD750 THE PARTS ILLUSTRATIONS AND PARTS LISTS



BIN ASSEMBLY

| ITEM NUMBER | PART NUMBER | DESCRIPTION |
|-------------|-------------|---|
| 1 | 02-1587-00 | Cap Nut |
| 2 | A14945-000 | Storage Bin Cylinder |
| 3 | A24294-001 | Bin Bottom |
| 4 | 03-1129-00 | Cap Nut |
| 5 | 03-1408-09 | Washer |
| 6 | A14932-000 | Chute Lock |
| 7 | A14573-000 | Drive End - Auger |
| 8 | A30128-001 | Auger Assembly |
| 9 | A14933-000 | End Plate |
| 10 | 03-1552-01 | Pin - Drive End |
| 11 | A24095-001 | Drive Unit Assembly Complete |
| 12 | 02-2720-01 | Key (2) |
| 13 | A28085-001 | Hub Drive (Contains Items #12, 13, 15, 16) |
| 14 | A24094-001 | Pin |
| 15 | 03-1418-13 | Screw |
| 16 | 02-2186-02 | Bearing Cone |
| 17 | 02-2186-01 | Bearing Cup |
| 18 | A28084-001 | Bin Support Assembly (Contains Items #17, 18, 19) |
| 19 | 02-1461-00 | Bearing |
| 20 | 03-1403-70 | Screw |
| 21 | 12-1850-01 | Bin Drive Motor |
| 22 | 03-1403-70 | Screw |
| 23 | A23841-001 | Mounting Plate |
| 24 | 02-1461-00 | Bearing |
| 25 | 12-1851-01 | Auger Drive Motor |
| 26 | 03-1407-02 | Washer |
| 27 | 03-1403-16 | Screw |
| 28 | 03-0255-03 | Wing Nut |
| 29 | 02-2049-01 | Motor Cover |

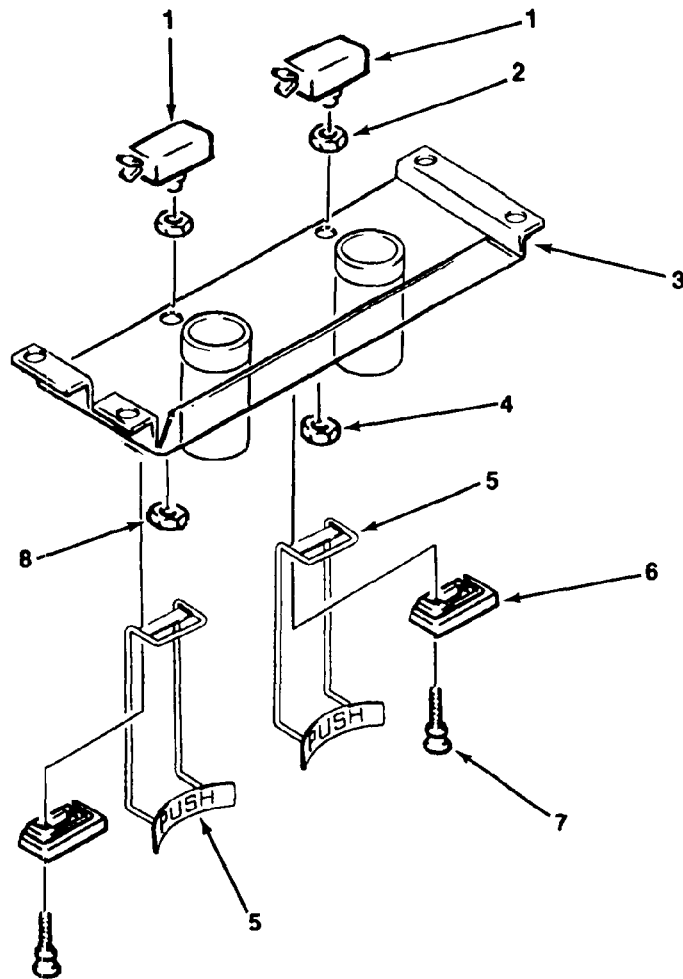
HQD750 THE PARTS ILLUSTRATIONS AND PARTS LISTS



BIN ICE LEVEL ASSEMBLY

| ITEM NUMBER | PART NUMBER | DESCRIPTION |
|-------------|-------------|--|
| 1 | No Number | Switch Cover |
| 2 | 12-1018-01 | Micro-Switch |
| 3 | No Number | Channel Support |
| 4 | A16882-000 | Top Hinge |
| 5 | A16885-000 | Hinge Pin |
| 6 | 03-1403-27 | Screw |
| 7 | A29508-001 | Hinge Pin |
| 8 | A16883-000 | Bottom Assembly Hinge (ice level control) |
| 9 | A29514-001 | Switch Actuator Plate |
| 10 | No Number | Channel Cover |
| 11 | No Number | Screw, #10 x 1/2 |

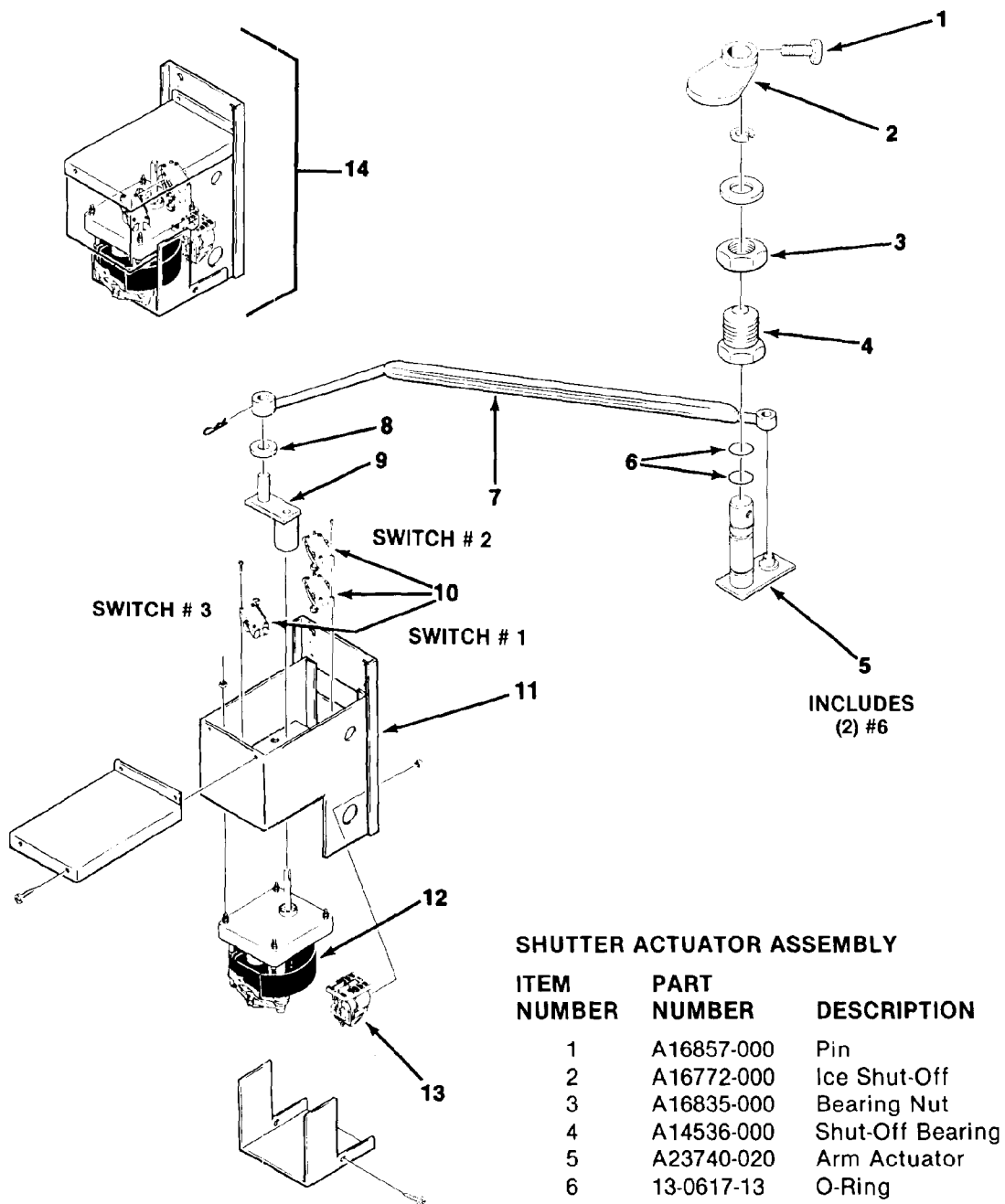
HQD750 THE PARTS ILLUSTRATIONS AND PARTS LISTS



DISPENSER ASSEMBLY

| ITEM NUMBER | PART NUMBER | DESCRIPTION |
|-------------|-------------|----------------------------|
| 1 | 12-1570-00 | Switch |
| 2 | No Number | Nut (Included with Switch) |
| 3 | A30409-001 | Mounting Bracket |
| 4 | No Number | Nut (Included with Switch) |
| 5 | 02-2581-01 | Actuator Arm Assembly |
| 6 | A22032-000 | Adaptor |
| 7 | 03-0727-08 | Thumb Screw |
| 8 | No Number | Nut (Included with Switch) |

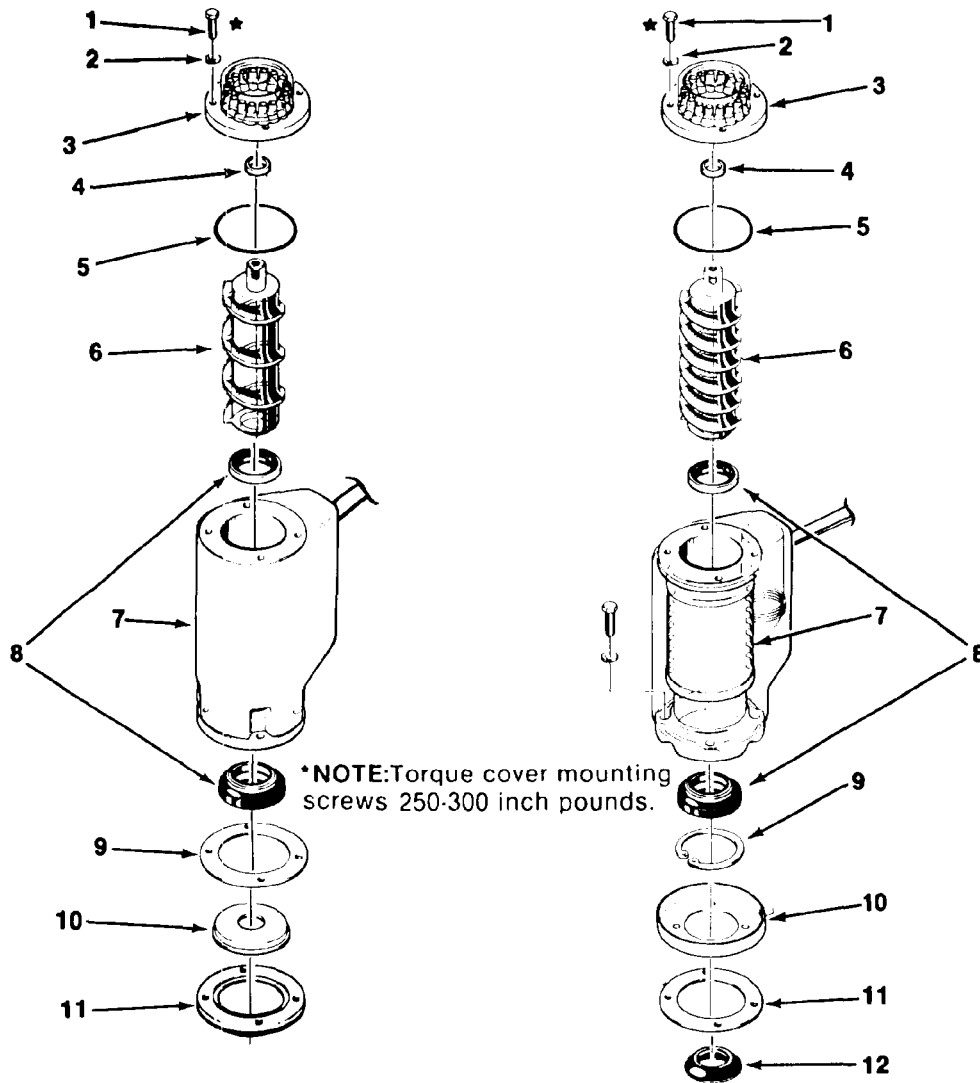
HQD750 THE PARTS ILLUSTRATIONS AND PARTS LISTS



SHUTTER ACTUATOR ASSEMBLY

| ITEM NUMBER | PART NUMBER | DESCRIPTION |
|-------------|-------------|--------------------------------------|
| 1 | A16857-000 | Pin |
| 2 | A16772-000 | Ice Shut-Off |
| 3 | A16835-000 | Bearing Nut |
| 4 | A14536-000 | Shut-Off Bearing |
| 5 | A23740-020 | Arm Actuator |
| 6 | 13-0617-13 | O-Ring |
| 7 | A23692-001 | Actuator Rod |
| 8 | 03-1407-09 | Washer, 3/8 |
| 9 | A24356-001 | Actuator Cam |
| 10 | 12-1614-00 | Switch |
| 11 | A21220-000 | Motor Mount |
| 12 | 12-1613-00 | Gear Motor |
| 13 | 12-1467-00 | Relay |
| 14 | A23738-001 | Shutter Actuator Assembly (Complete) |

HQD750 THE PARTS ILLUSTRATIONS AND PARTS LISTS



FREEZER ASSEMBLY (A & B MODELS ONLY)

| ITEM NUMBER | PART NUMBER | DESCRIPTION |
|-------------|-------------|---------------------------------------|
| 1 | 03-1405-42 | Screw, No. 5/16 - 18 x 7/8 Hex Cap |
| 2 | 03-1417-13 | Lockwasher, No. 5/16 Helical Spring |
| 3 | A32571-020 | Ice Breaker (Includes Bearing & Seal) |
| 4 | 02-2853-01 | Seal |
| 5 | 13-0617-46 | O-Ring |
| 6 | A31839-001 | Auger |
| 7 | A32431-020 | Freezer Assembly |
| 8 | 02-0929-01 | Seal, Water |
| 9 | 13-0704-00 | Gasket |
| 10 | A29463-001 | Adapter Freezer |
| 11 | 02-2577-01 | Adapter Large |

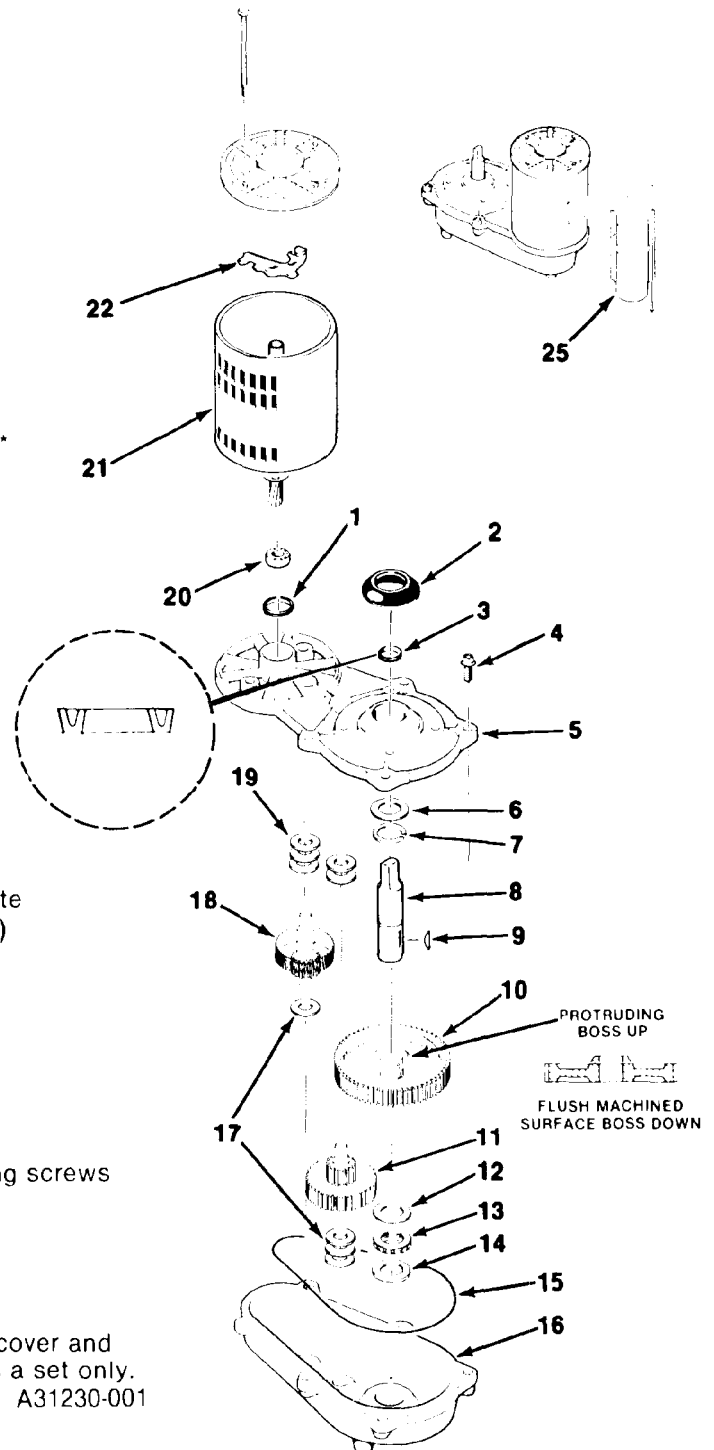
FREEZER ASSEMBLY (C MODEL OR REPLACEMENT FREEZER)

| ITEM NUMBER | PART NUMBER | DESCRIPTION |
|-------------|-------------|--|
| 1 | 03-1405-42 | Screw |
| 2 | 03-1417-13 | Lockwasher |
| 3 | A32571-020 | Ice Breaker (Includes Bearing & Seal) |
| 4 | 02-2853-01 | Seal |
| 5 | 13-0617-46 | O-Ring |
| 6 | A31839-001 | Auger |
| 7 | A32431-020 | Freezer Assembly (Includes 9, 10, 11 & 12) |
| 8 | 02-0929-01 | Water Seal |
| 9 | 03-1558-05 | Snap Ring |
| 10 | A24156-002 | Drip Pan |
| 11 | 13-0704-00 | Gasket |
| 12 | 13-0709-02 | Water Shed |

HQD750 THE PARTS ILLUSTRATIONS AND PARTS LISTS

DRIVE MOTOR ASSEMBLY

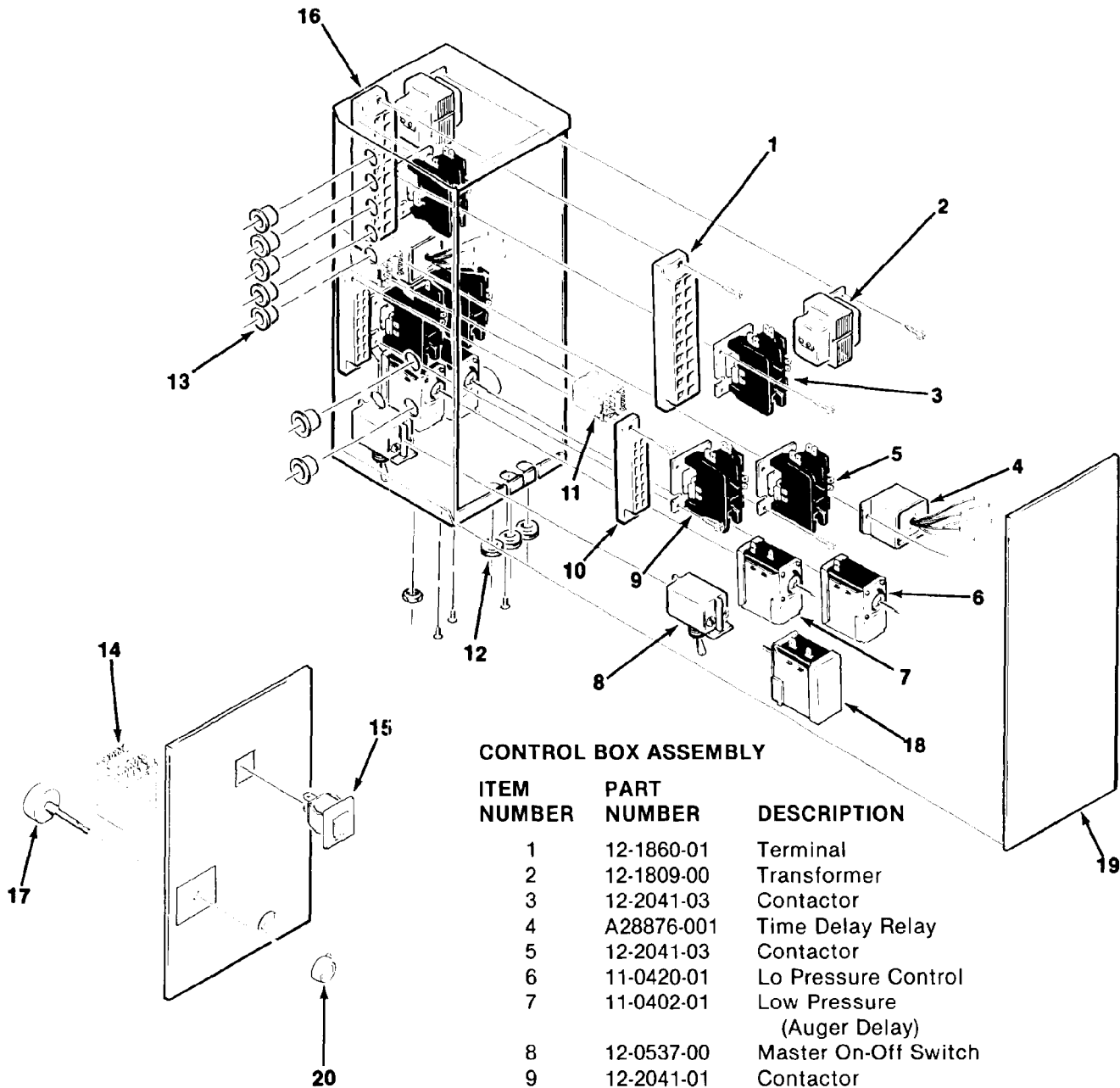
| ITEM NUMBER | PART NUMBER | DESCRIPTION |
|-------------|-------------|---------------------------------------|
| 1 | 02-1606-00 | Oil Seal |
| 2 | 13-0709-02 | Water Shed C Model Only |
| 3 | 02-2853-01 | Oil Seal - Faces Up |
| 4 | 03-1251-01 | Screw* |
| 5 | A31230-001 | Gear Case Cover Assembly* |
| 6 | 02-1681-00 | Thrust Race |
| 7 | 03-1363-00 | Retaining Ring |
| 8 | 02-2541-01 | Shaft, Output |
| 9 | 03-1630-01 | Key |
| 10 | 02-2745-01 | Gear, Output |
| 11 | 02-1604-00 | Third Pinion Assembly, Second Gear |
| 12 | 02-1679-00 | Thrust Race |
| 13 | A32368-020 | Bearing (Includes Items 12, 13, & 14) |
| 14 | 02-1679-00 | Thrust Race |
| 15 | A26103-001 | "O" Ring |
| 16 | A31230-001 | Gear Case Assembly Bottom* |
| 17 | 03-1408-24 | Washer |
| 18 | 02-1603-00 | Second Pinion Assembly, First Gear |
| 19 | 03-1408-24 | Washer |
| 20 | 12-1741-29 | Bearing Shaft GE |
| | 12-1741-20 | Bearing Shaft Emerson |
| 21 | A32425-001 | Drive Motor |
| 22 | 12-1741-28 | Switch, Start (General Electric) #1 |
| | 12-1741-32 | Start Switch (General Electric) #2 |
| | 12-2314-21 | Centrifugal Switch P.S.C. |
| | 12-1741-22 | Switch, Start (Emerson) |
| 23 | A25835-001 | Gearcase Oil (1) Pint |
| 24 | A32404-021 | Gearmotor Assembly Complete |
| 25 | 12-2314-22 | Capacitor (For G.E. PSC Only) |



*NOTE: Torque cover mounting screws 250-300 inch pounds.

*NOTE: Gearcase cover and bottom are sold as a set only. Order Part Number A31230-001

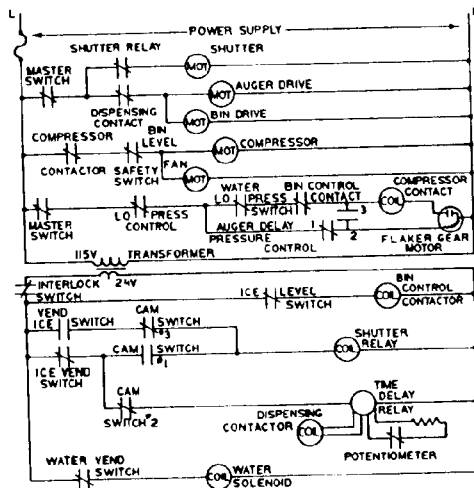
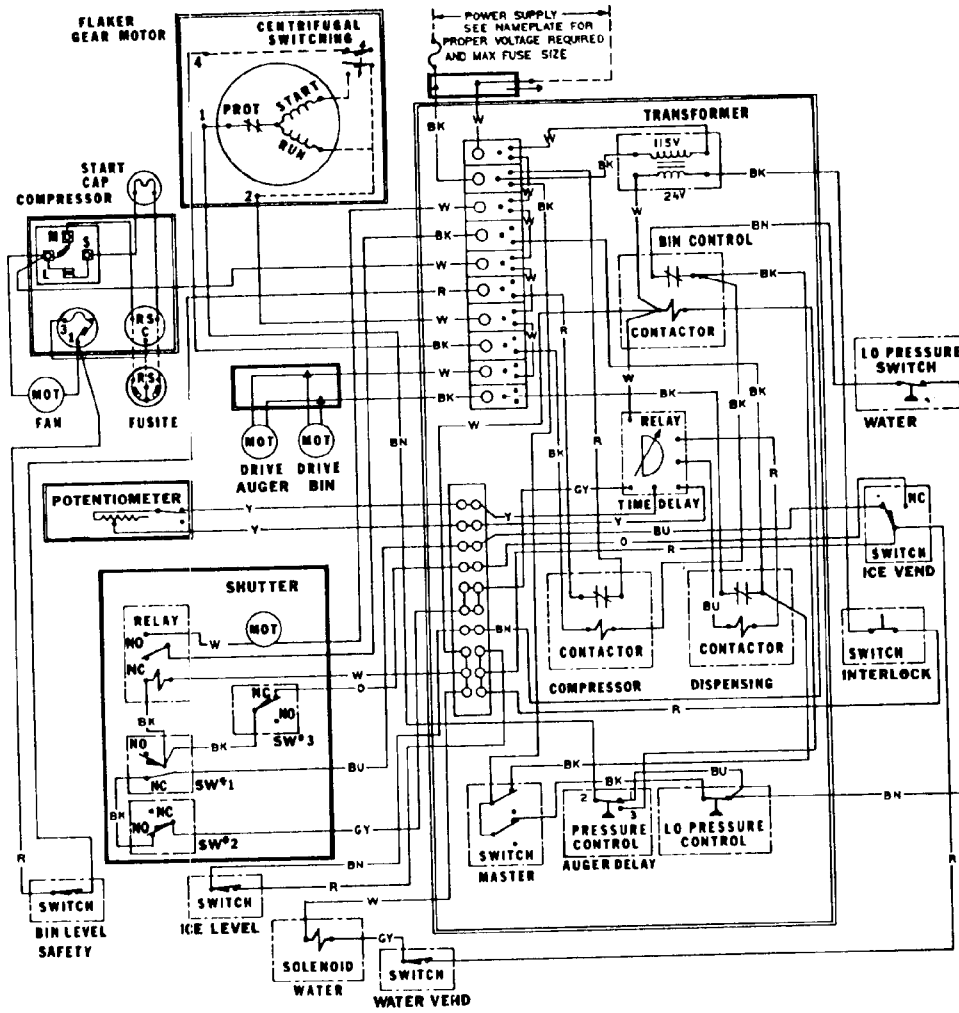
HQD750 THE PARTS ILLUSTRATIONS AND PARTS LISTS



CONTROL BOX ASSEMBLY

| ITEM NUMBER | PART NUMBER | DESCRIPTION |
|-------------|-------------|--------------------------------------|
| 1 | 12-1860-01 | Terminal |
| 2 | 12-1809-00 | Transformer |
| 3 | 12-2041-03 | Contactors |
| 4 | A28876-001 | Time Delay Relay |
| 5 | 12-2041-03 | Contactors |
| 6 | 11-0420-01 | Lo Pressure Control |
| 7 | 11-0402-01 | Low Pressure (Auger Delay) |
| 8 | 12-0537-00 | Master On-Off Switch |
| 9 | 12-2041-01 | Contactors |
| 10 | 12-1861-01 | Terminal |
| 11 | 12-2090-01 | Relay |
| 12 | 13-0557-00 | Grommet |
| 13 | 12-1213-10 | Bushing |
| 14 | 12-2090-02 | Relay |
| 15 | 12-2321-23 | Start Switch |
| 16 | No Number | Control Box Fab Assembly |
| 17 | 12-1557-00 | Potentiometer |
| 18 | 11-0357-04 | Pressure Control (Water-Cooled Only) |
| 19 | A28874-001 | Control Box Cover |
| 20 | 02-1810-00 | Potentiometer Knob |

HQD750 WIRING DIAGRAMS



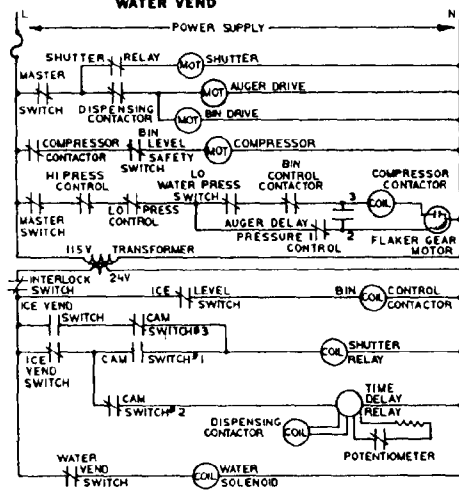
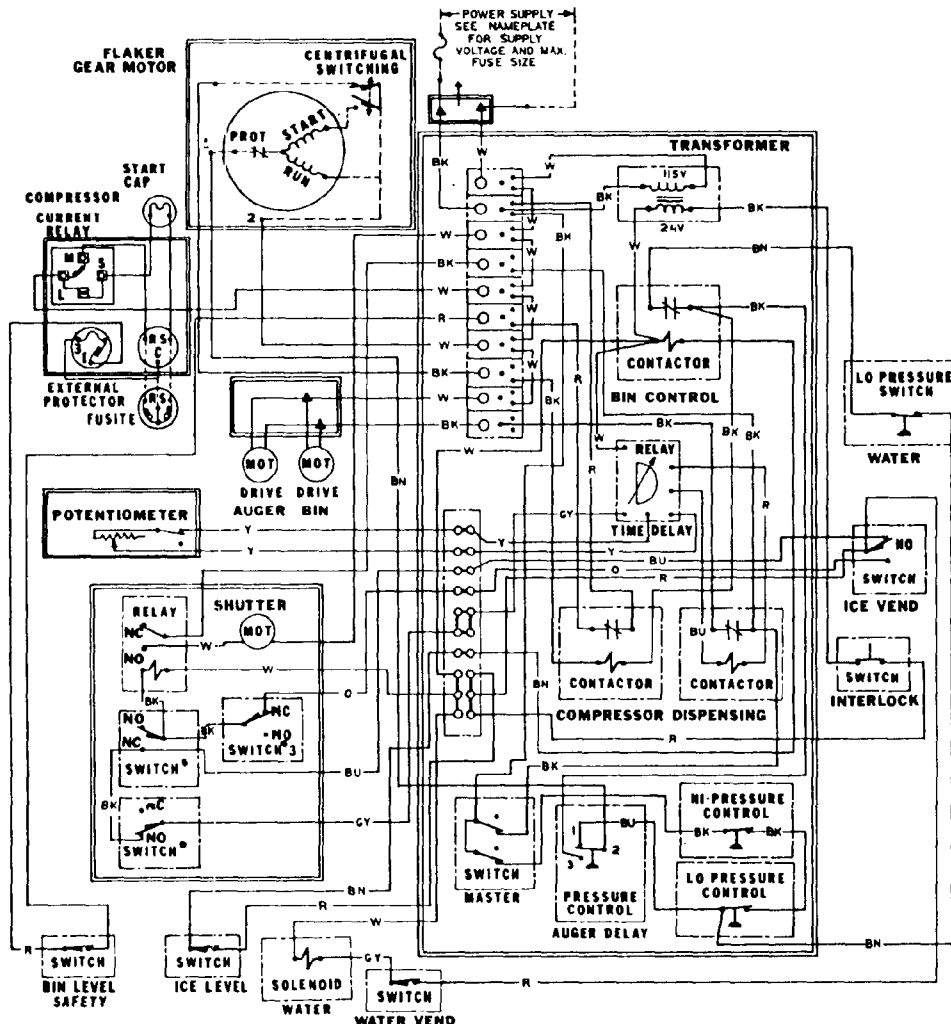
CONTROLS SHOW IN ICE MAKING MODE WITH BIN COMPARTMENT CLOSED AND ALL DISPENSING SYSTEMS IN OPERATION

THIS UNIT MUST BE GROUND

A29450-001

Wiring Diagram HQD750A (115/60/1) Air-Cooled
Up to S/N 611652-12E

HQD750 WIRING DIAGRAMS



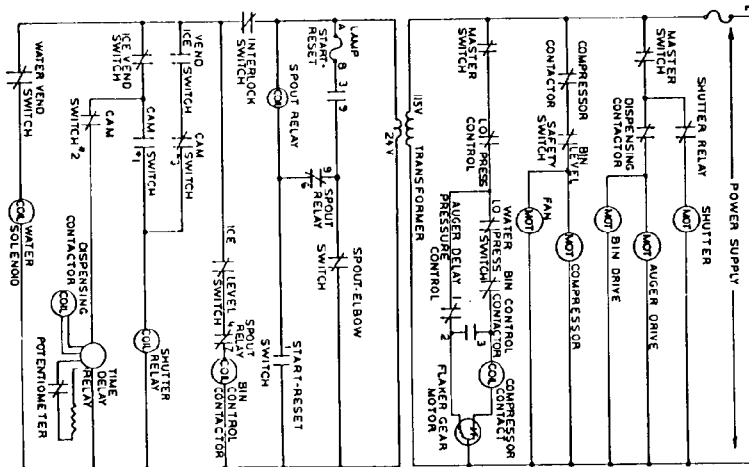
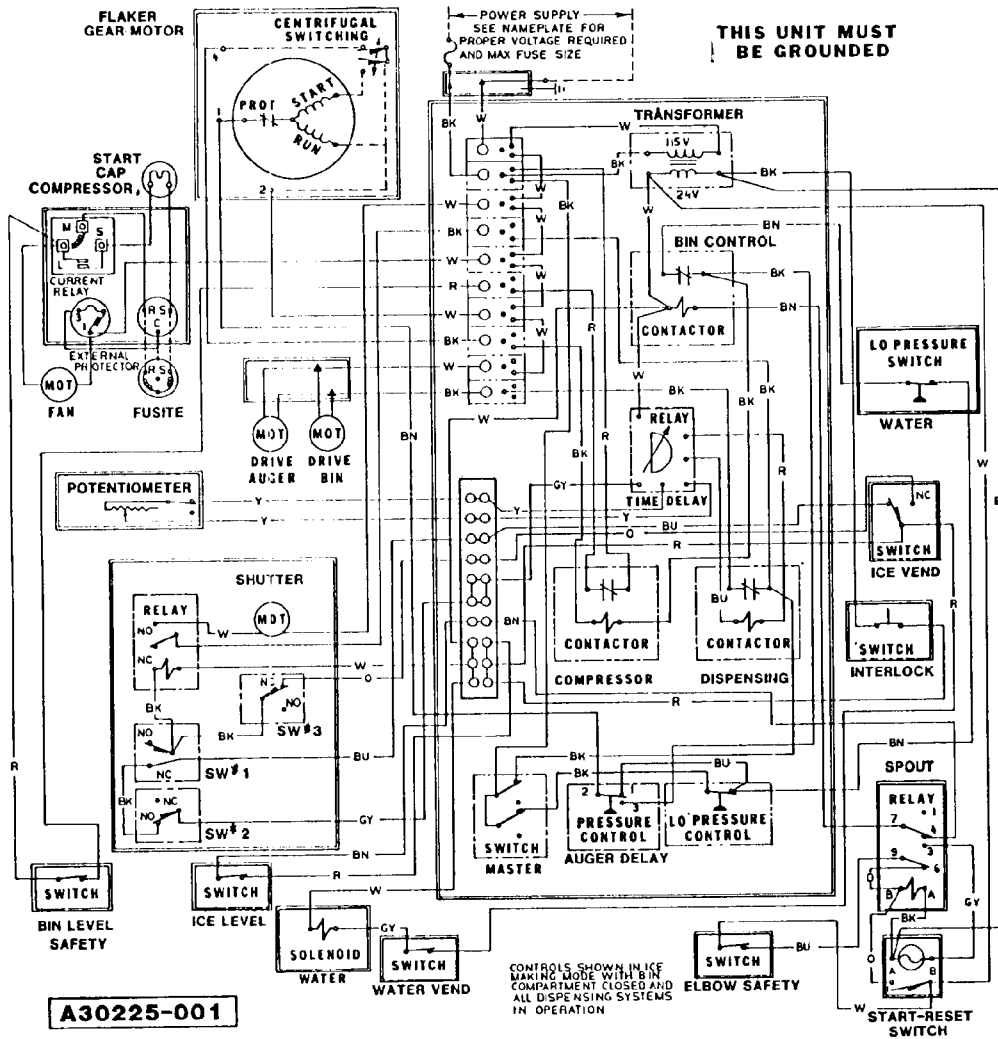
CONTROLS SHOWN IN ICE MAKING MODE WITH BIN COMPARTMENT CLOSED AND ALL DISPENSING SYSTEMS IN OPERATION

THIS UNIT MUST BE GROUNDED

A29448-001

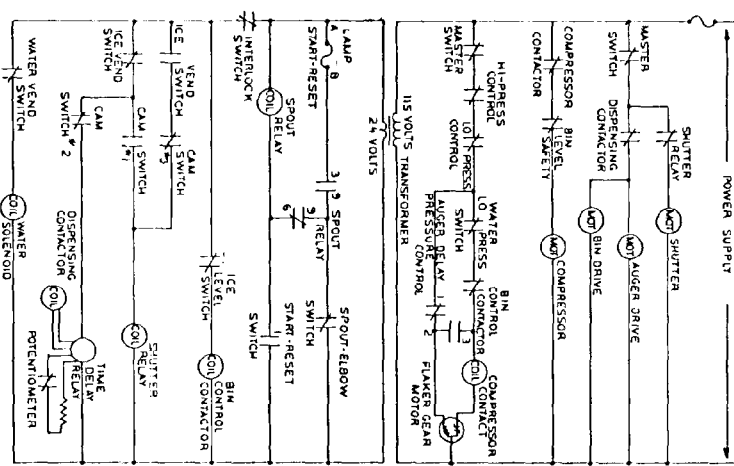
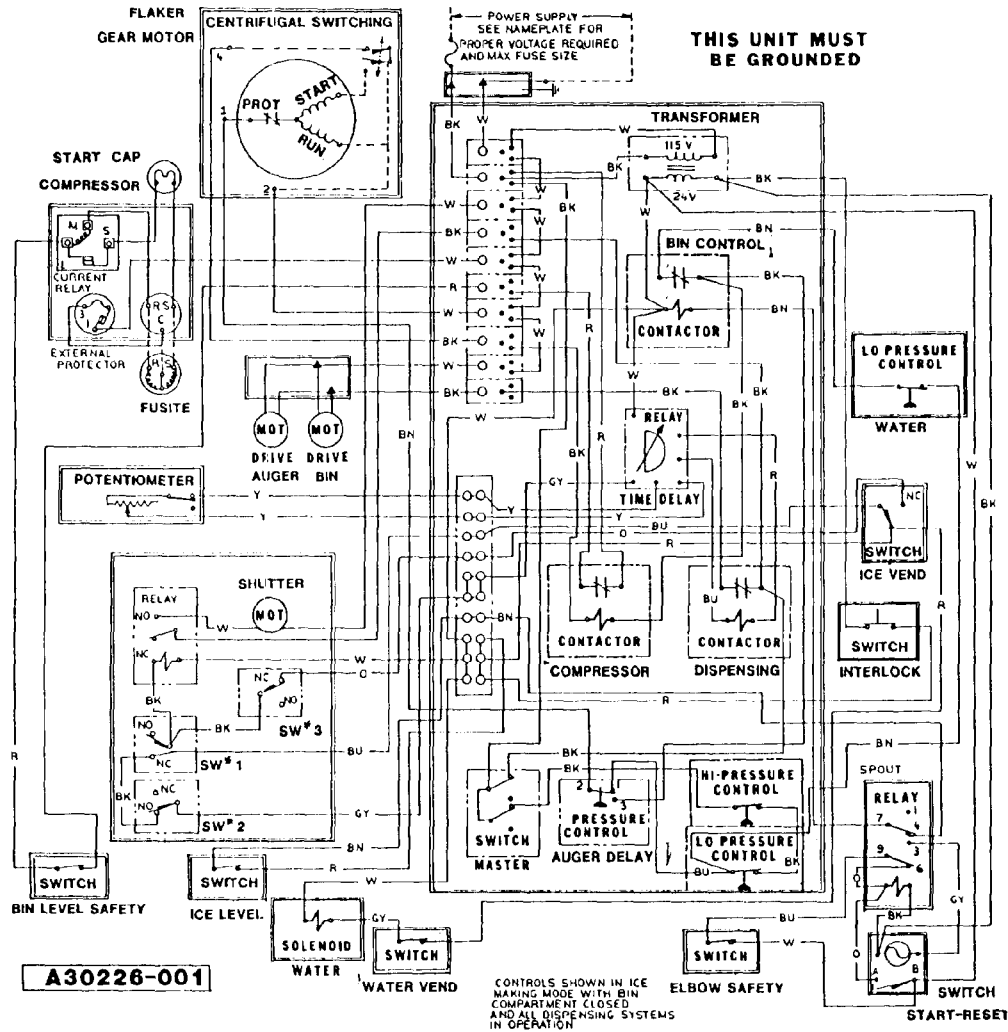
Wiring Diagram HQD750A (115/60/1) Water-Cooled
Up to S/N 611652-12E

HQD750 WIRING DIAGRAMS



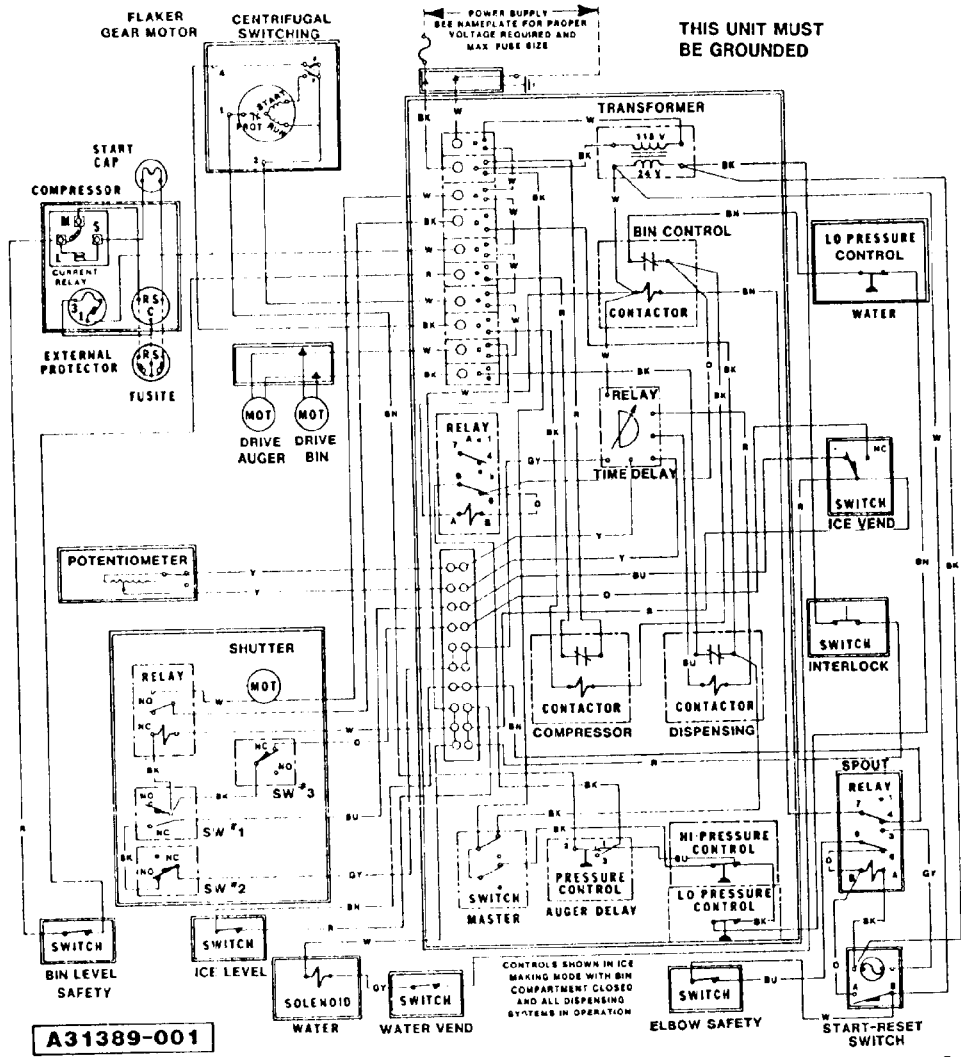
Wiring Diagram HQD750A (115/60/1) Air-Cooled
After S/N 611652-12E

HQD750 WIRING DIAGRAMS

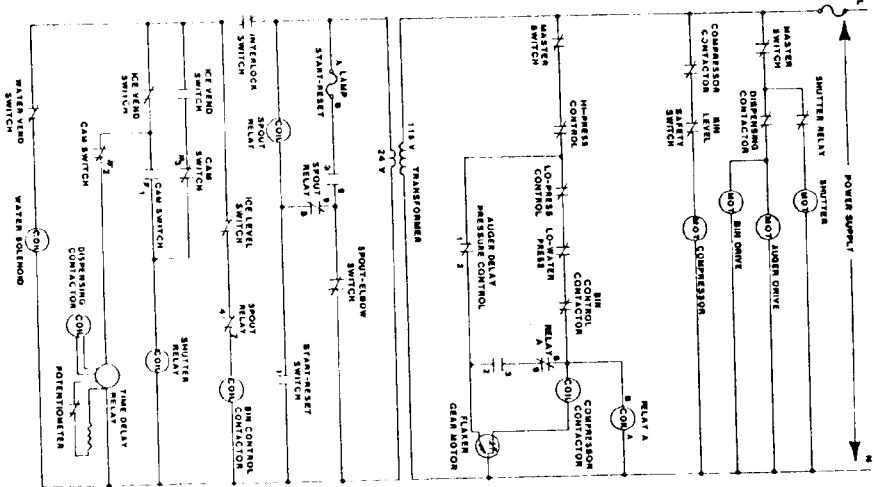


Wiring Diagram HQD750A (115/60/1) Water-Cooled
After S/N 611652-12E

HQD750 WIRING DIAGRAMS



A31389-001



Wiring Diagram HQD750C (115/60/1) Water-Cooled