

MH750R THE PARTS ILLUSTRATIONS AND PARTS LISTS

GENERAL

This section contains the Parts Illustrations and the Parts List for each of the major assemblies in the MH750R.

A *No Number* designation, when used in the Part Number Column indicates the unit is not available from SCOTSMAN as an assembly. This designation is used only for the convenience and clarity of division in cataloging.

HOW TO ORDER PARTS OR ASSEMBLIES

When ordering parts or assemblies, to avoid costly delays and errors in shipment, give the part number, the complete description shown in the list, and the quantities of each part or assembly required. Also include the model name, the serial number of the icemaker for which the part is required and for parts which require color matching, the color of the cabinet.

All part numbers have TEN DIGITS (spaces), required for use in the Computer System. BE SURE to fill in ALL SPACES in the CATALOG NUMBER column, on the parts order form.

WIRING DIAGRAMS

This section is provided as an aid in understanding the electrical circuitry of the MH750R.

The wiring diagrams in this Section are:
MH750RE-1A (115/60/1) Remote - Air-Cooled

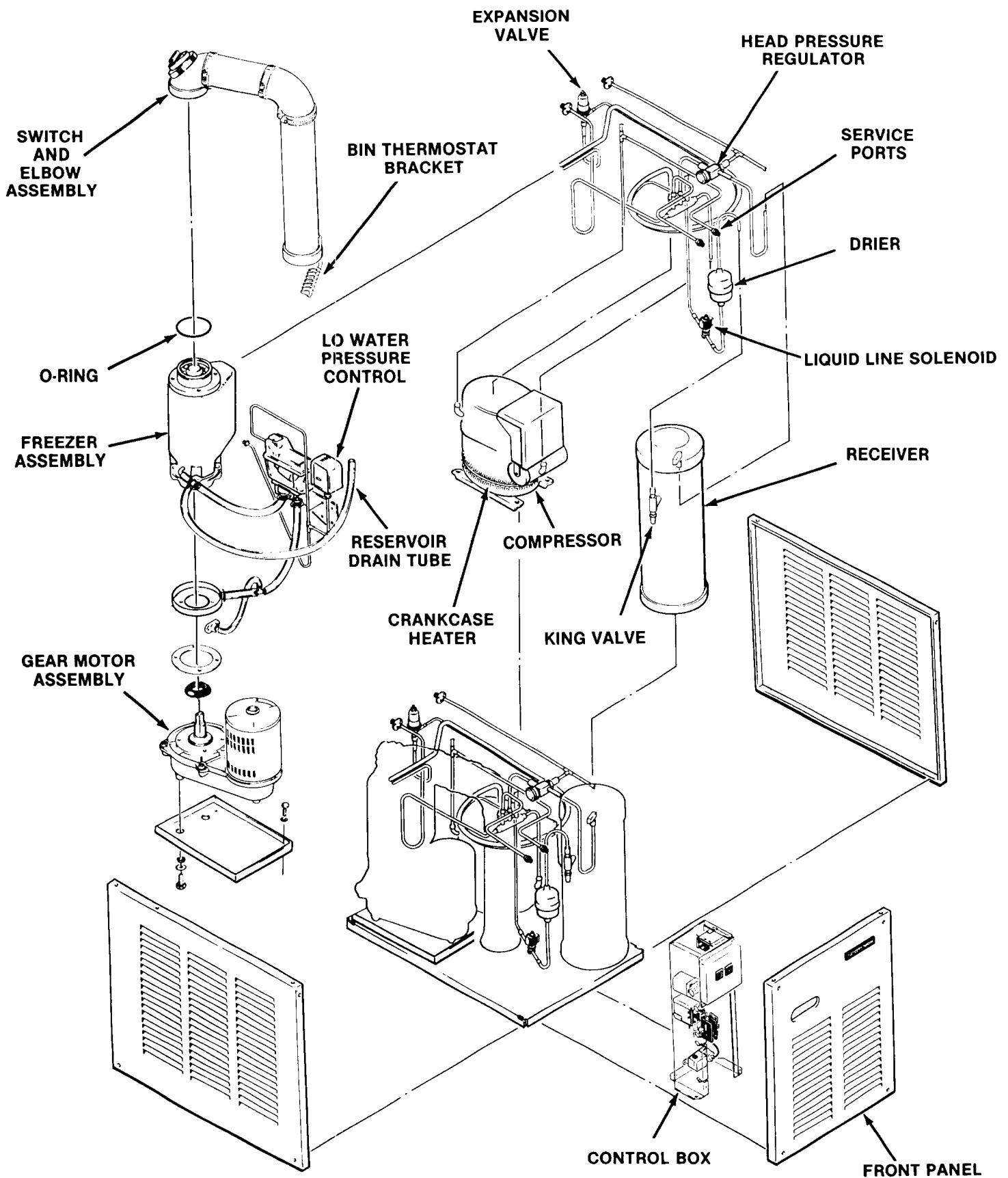
////////////////////// WARNING ////////////////////////

When conducting a continuity check of the modular cuber:

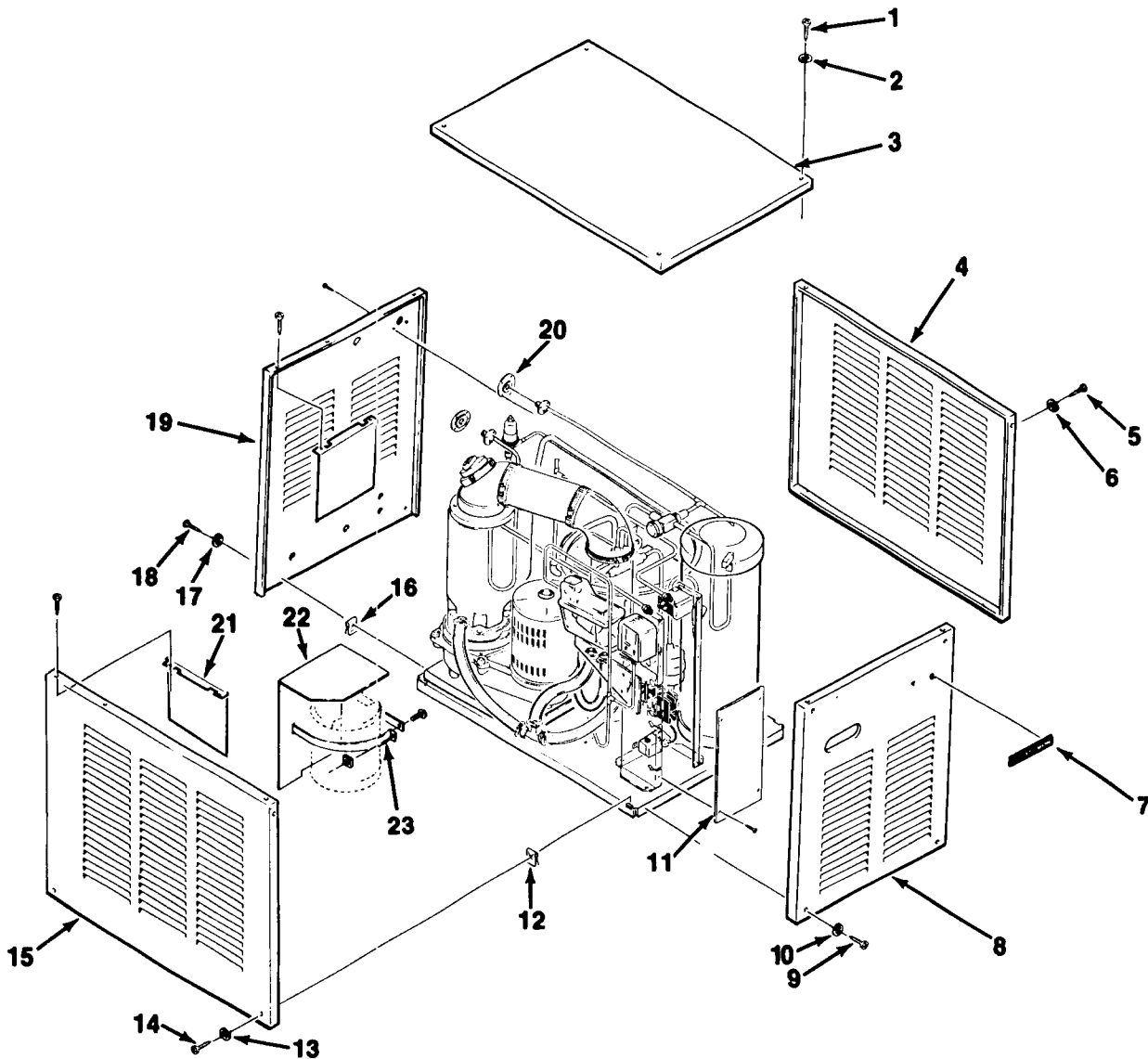
1. Disconnect the main power source.
2. DO NOT use an incandescent lamp or jumper wire, conduct all tests with a volt-ohm-meter.

////////////////////////////////////

MH750R THE PARTS ILLUSTRATIONS AND PARTS LISTS



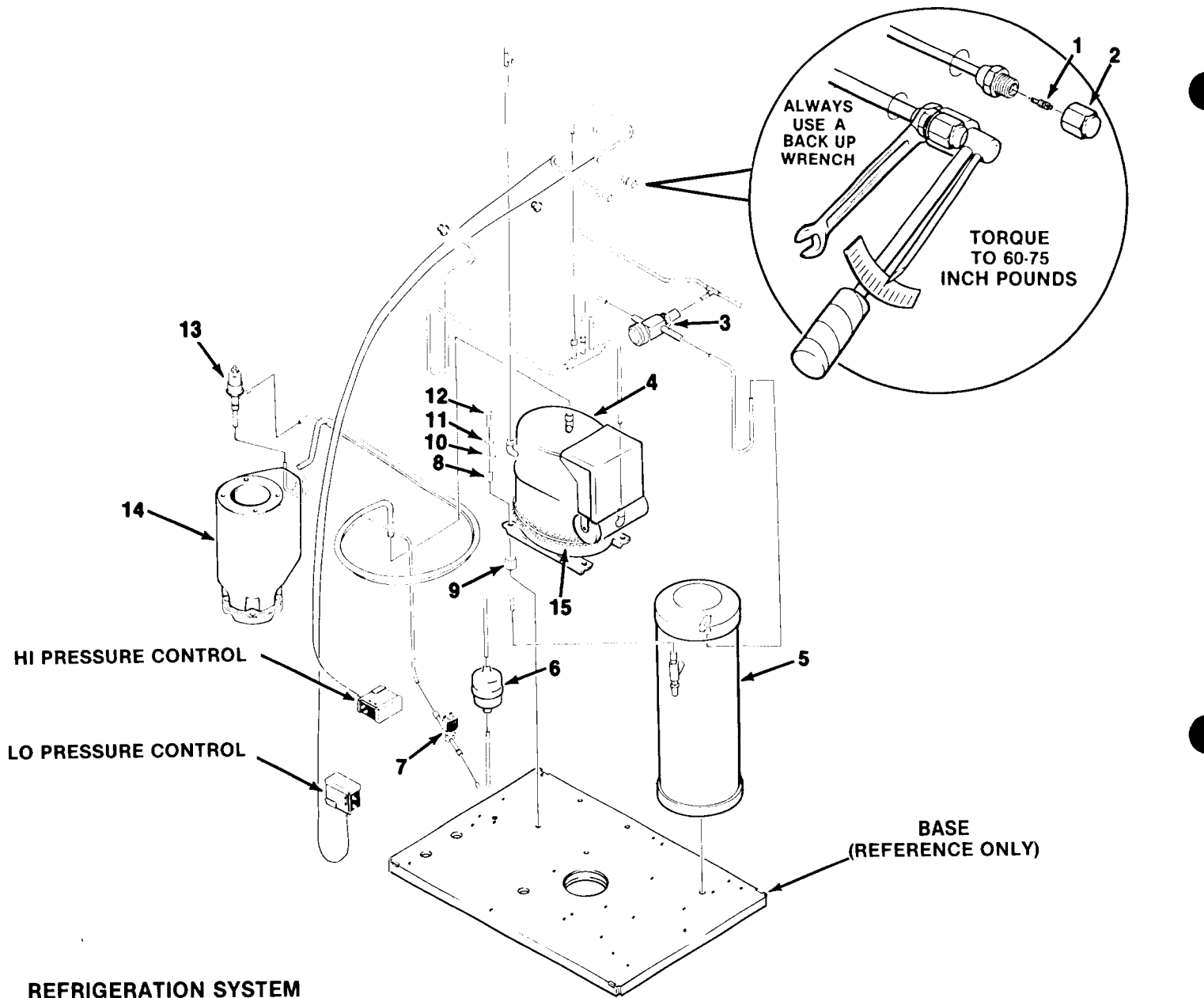
MH750R THE PARTS ILLUSTRATIONS AND PARTS LISTS



CABINET ASSEMBLY

ITEM NUMBER	PART NUMBER	DESCRIPTION			
1	03-1419-09	Screw, No. 8 x 1-1/4	11	A30542-001	Control Box Cover
2	03-1417-15	Lockwasher, No. 8	12	03-1507-00	Speednut
3	A30007-001	Panel Top, S.S.	13	03-1417-15	Lockwasher No. 8
	A30007-002	Panel Top, Enamel	14	03-1404-09	Screw, No. 8 x 1/2
4	A30009-001	Panel Right Side, S.S.	15	A30008-001	Panel Left Side, S.S.
	A30009-002	Panel Right Side, Enamel		A30008-002	Panel Left Side, Enamel
5	03-1404-09	Screw, No. 8 x 1/2	16	03-1507-00	Speednut
6	03-1417-03	Lockwasher, No. 8	17	03-1417-03	Lockwasher, No. 8
7	15-0718-01	Scotsman Emblem	18	03-1404-09	Screw, No. 8 x 1/2
8	A30006-001	Panel Front, S.S.	19	A31951-002	Panel Rear, S.S.
	A30006-002	Panel Front, Enamel		A31951-001	Panel Rear, Enamel
9	03-1419-09	Screw, No. 8 x 1-1/4	20	No Number	Retainer
10	03-1417-15	Lockwasher No. 8	21	No Number	Wire Shield
			22	A30125-001	Motor Shield
			23	A32423-001	Strap

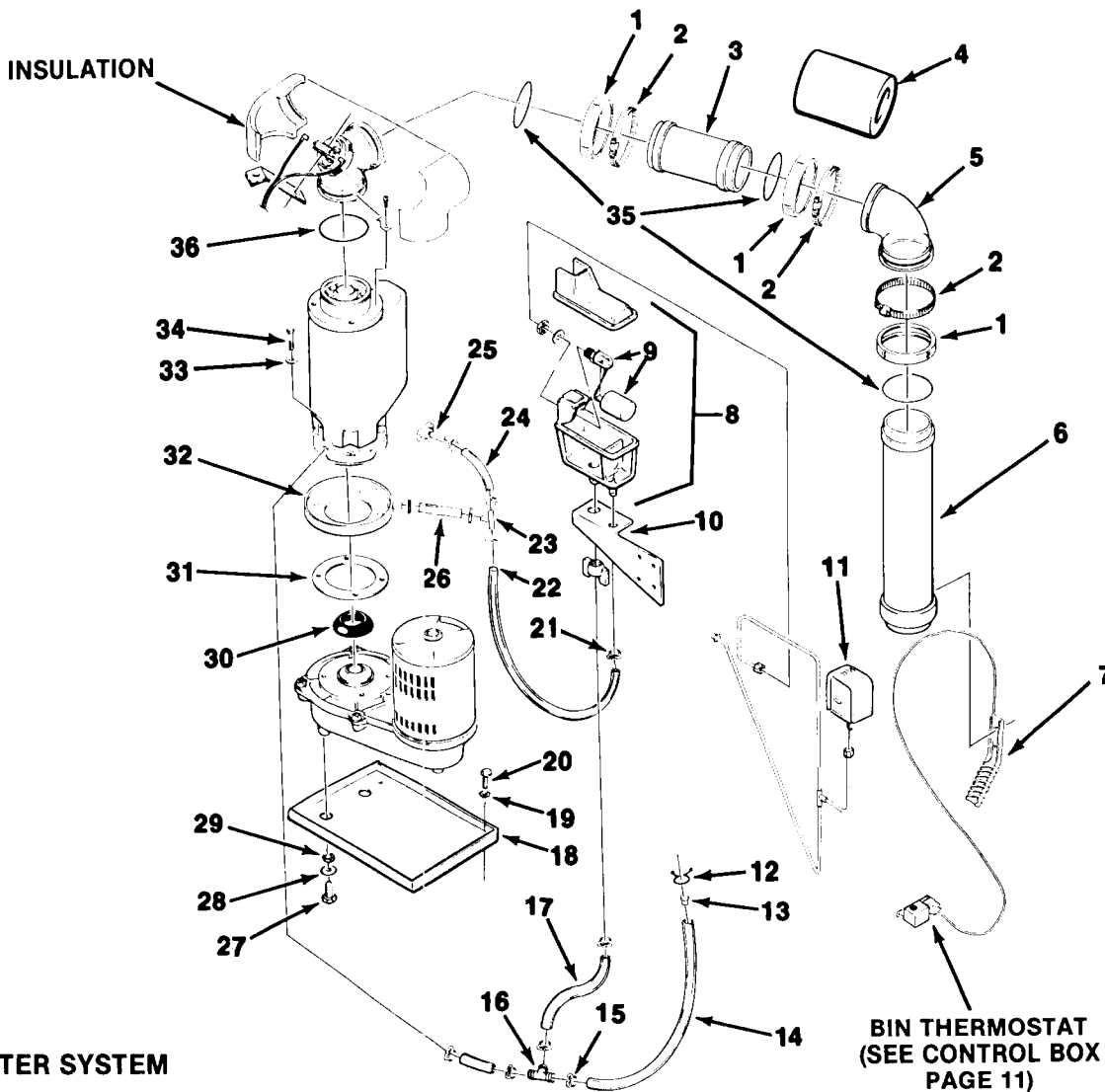
MH750R THE PARTS ILLUSTRATIONS AND PARTS LISTS



REFRIGERATION SYSTEM

ITEM NUMBER	PART NUMBER	DESCRIPTION
1	16-0560-00	Valve Core
2	16-0563-00	Cap
3	11-0422-01	Head Pressure Regulator (Low Ambient)
4	18-3900-01	Compressor 115/60/1
	18-3900-02	Compressor 208-230/60/1
5	16-0761-01	Receiver
6	02-0544-01	Drier
7	12-2257-02	Liquidline Solenoid (115/60/1)
	12-2257-01	Liquidline Solenoid (208-230/60/1)
8	18-2200-27	Sleeve
	18-2200-28	Grommet
	03-1408-29	Washer
	03-1417-12	Lockwasher, 5/16
	03-1405-40	Screw, 5/16-18 x 1-3/4
	11-0438-01	Expansion Valve
	A31953-020	Freezer Assembly
	12-1868-01	Crankcase Heater 115 Volt
	12-1868-02	Crankcase Heater 230 Volt

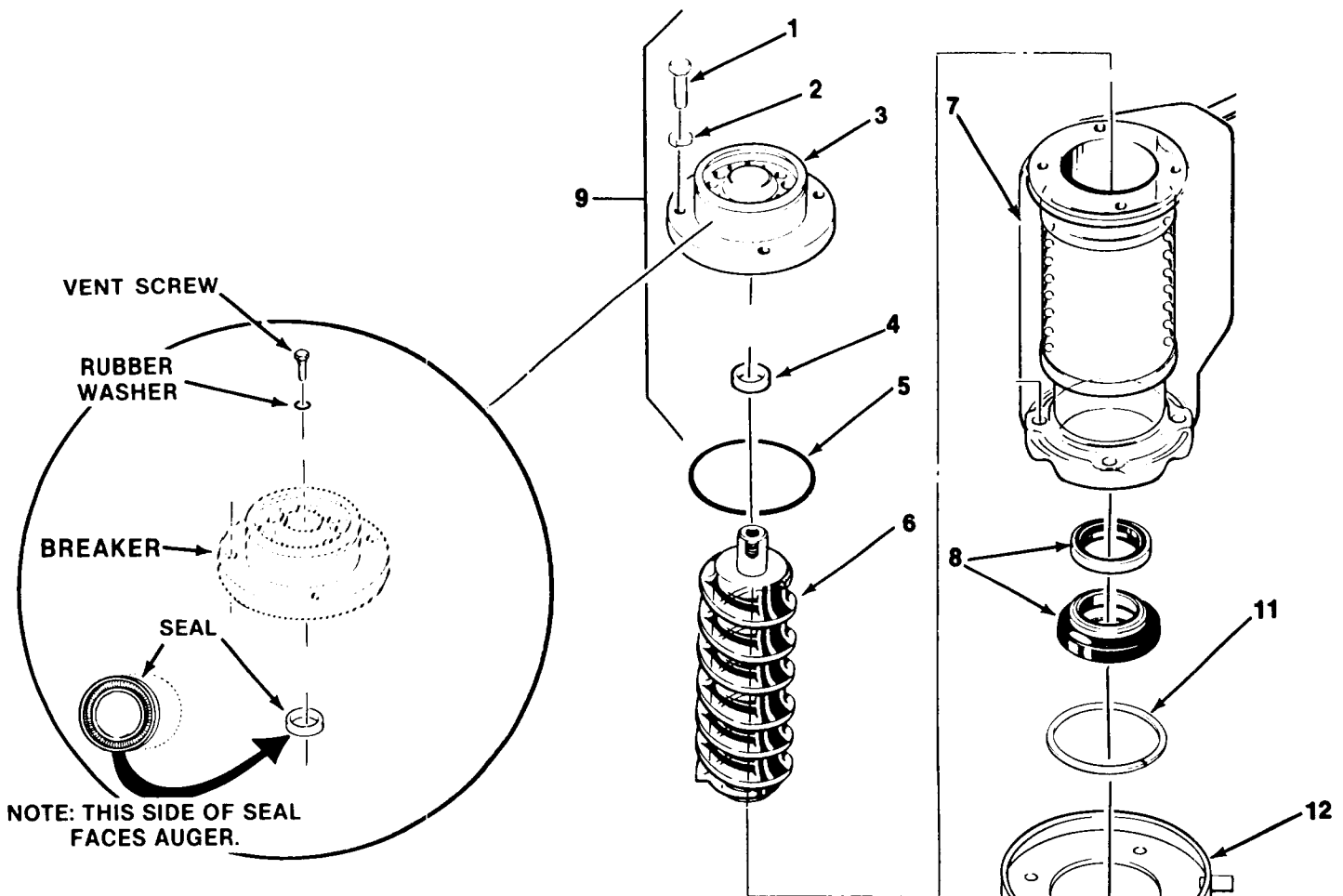
MH750R THE PARTS ILLUSTRATIONS AND PARTS LISTS



WATER SYSTEM

ITEM NUMBER	PART NUMBER	DESCRIPTION	ITEM NUMBER	PART NUMBER	DESCRIPTION
1	A30089-001	U Channel (3)	18	A28207-001	Motor Plate
2	02-0179-03	Band Clamp (3)	19	03-1417-09	Lockwasher, 1/4
3	A30088-01	Ice Tube Assembly	20	03-0571-00	Screw, 1/4-20 x 1/2
4	No Number	Tube Covering	21	02-0694-00	Clamp
5	02-2764-02	Elbow	22	13-0079-03	Hose 22"
6	A31935-001	Ice Tube Assembly	23	16-0670-02	Tee
7	A30148-001	Thermo Bracket	24	13-0079-03	Drain Tube 6.0"
8	02-2217-01	Reservoir Assembly	25	A31757-003	Drain
9	02-2217-02	Valve and Float Reservoir	26	13-0079-03	Drain Tube 3.0"
10	A30002-001	Mounting Bracket Reservoir	27	03-1420-01	Screw, 5/16-18 x 7/8
11	11-0296-00	Low Water Pressure Control	28	03-1410-04	Lockwasher, 5/16
12	A31627-001	Clamp	29	03-1408-35	Washer
13	13-0859-01	Plug	30	A31340-001	Water Shed
14	13-0674-09	Hose 20"	31	13-0704-00	Gasket
15	02-0694-00	Clamp	32	A32050-001	Drip Pan
16	16-0670-02	Tee	33	03-1408-03	Washer
17	13-0674-09	Hose 6.5"	34	03-1420-03	Screw, Hex Cap 1-1/4 - 18 x 5/16 inch
			35	13-0617-49	O-Ring (2)
			36	13-0617-45	O-Ring

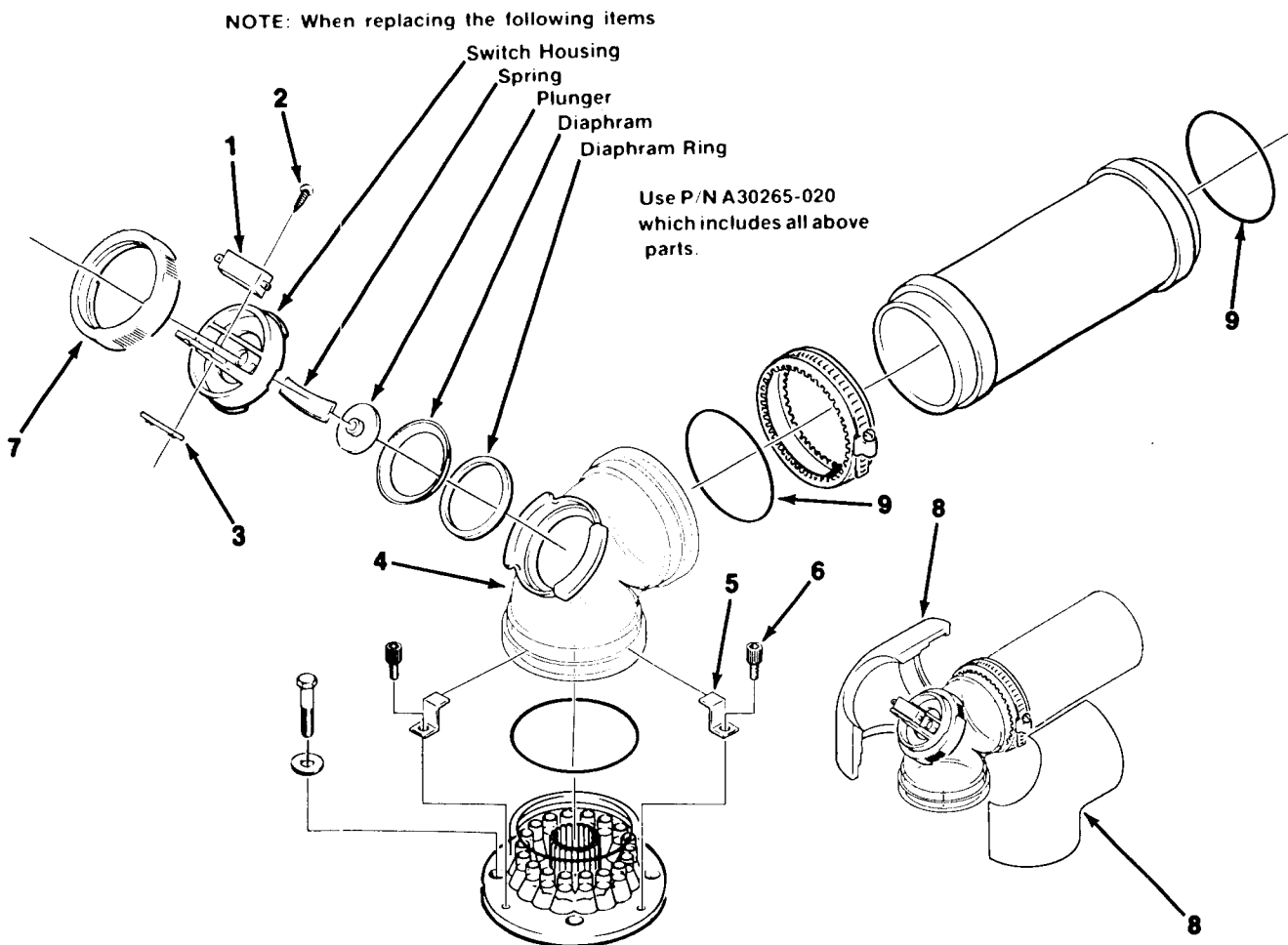
MH750R THE PARTS ILLUSTRATIONS AND PARTS LISTS



FREEZER ASSEMBLY

ITEM NUMBER	PART NUMBER	DESCRIPTION
1	03-1405-42	Screw, No. 5/16-18 x 7/8 Hex Cap
2	03-1417-13	Lockwasher, No. 5/16 Helical Spring
3	<i>No Number</i>	Ice Breaker
4	02-2853-01	Seal
5	13-0617-46	O-Ring
6	A31839-001	Auger
7	A31953-020	Freezer Assembly
8	02-0929-01	Seal, Water
9	A32571-020	Ice Breaker Assembly (Includes Item 4)
10	13-0704-00	Gasket
11	03-1558-05	Retaining Ring
12	A32050-001	Drip Pan

MH750R THE PARTS ILLUSTRATIONS AND PARTS LISTS



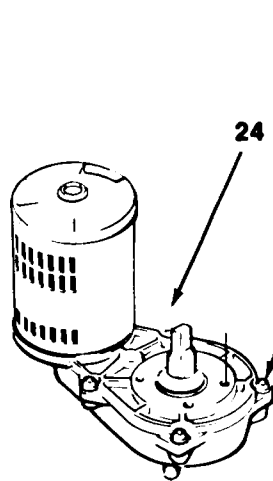
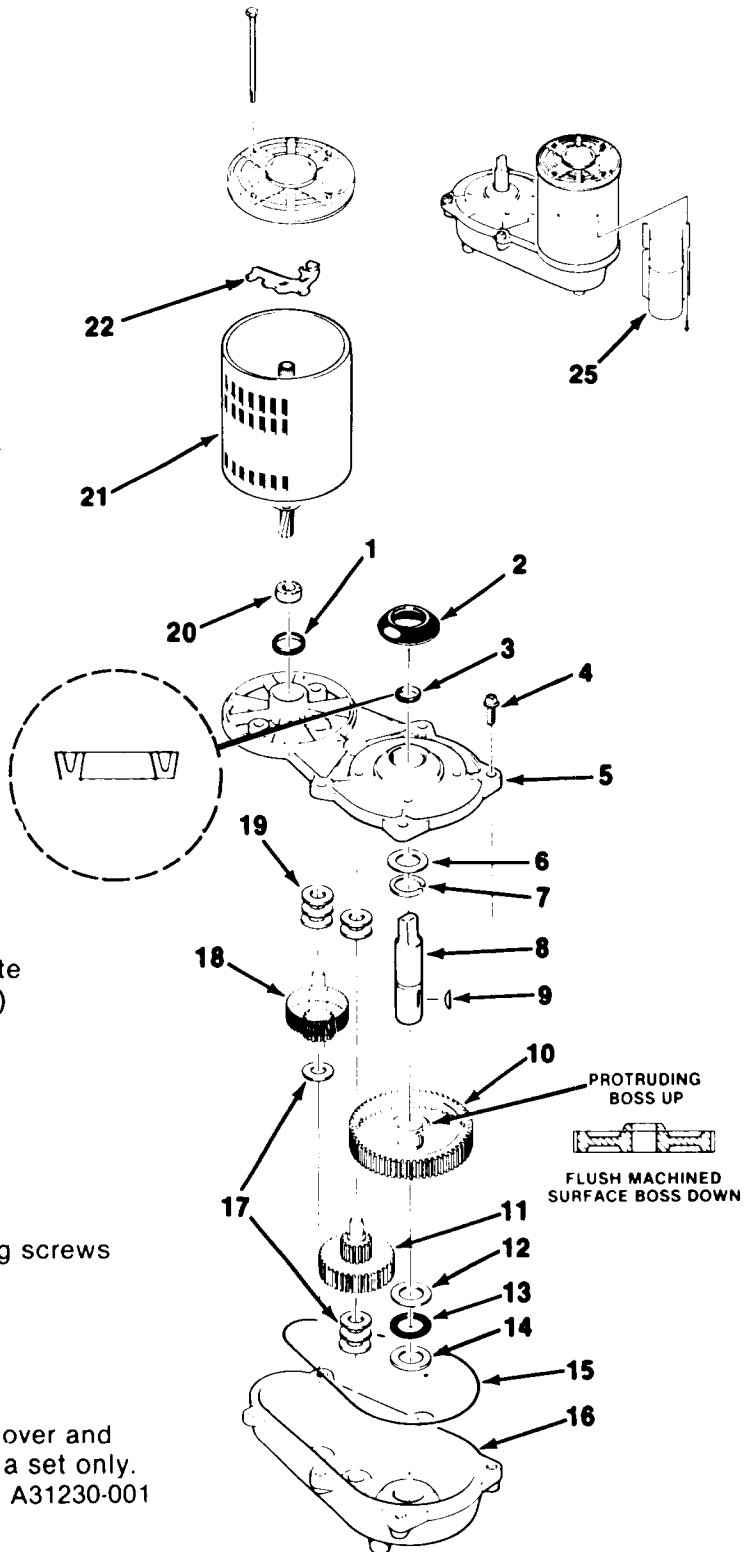
ELBOW AND SWITCH ASSEMBLY

ITEM NUMBER	PART NUMBER	DESCRIPTION
1	12-2202-01	Switch
2	03-1403-08	Screw, No. 6-32 x 7/8
3	03-0886-00	Speednut
4	02-2764-01	Elbow Assembly
5	02-2604-01	Bracket, Spout Retaining
6	03-1544-04	Screw, No. 10-24 x 3/8 Stainless Soc HD Cap
7	02-2637-01	Retaining Ring
8	A31390-001	Insulation - Includes left and right sides
9	13-0617-49	O-ring

MH750R THE PARTS ILLUSTRATIONS AND PARTS LISTS

DRIVE MOTOR ASSEMBLY

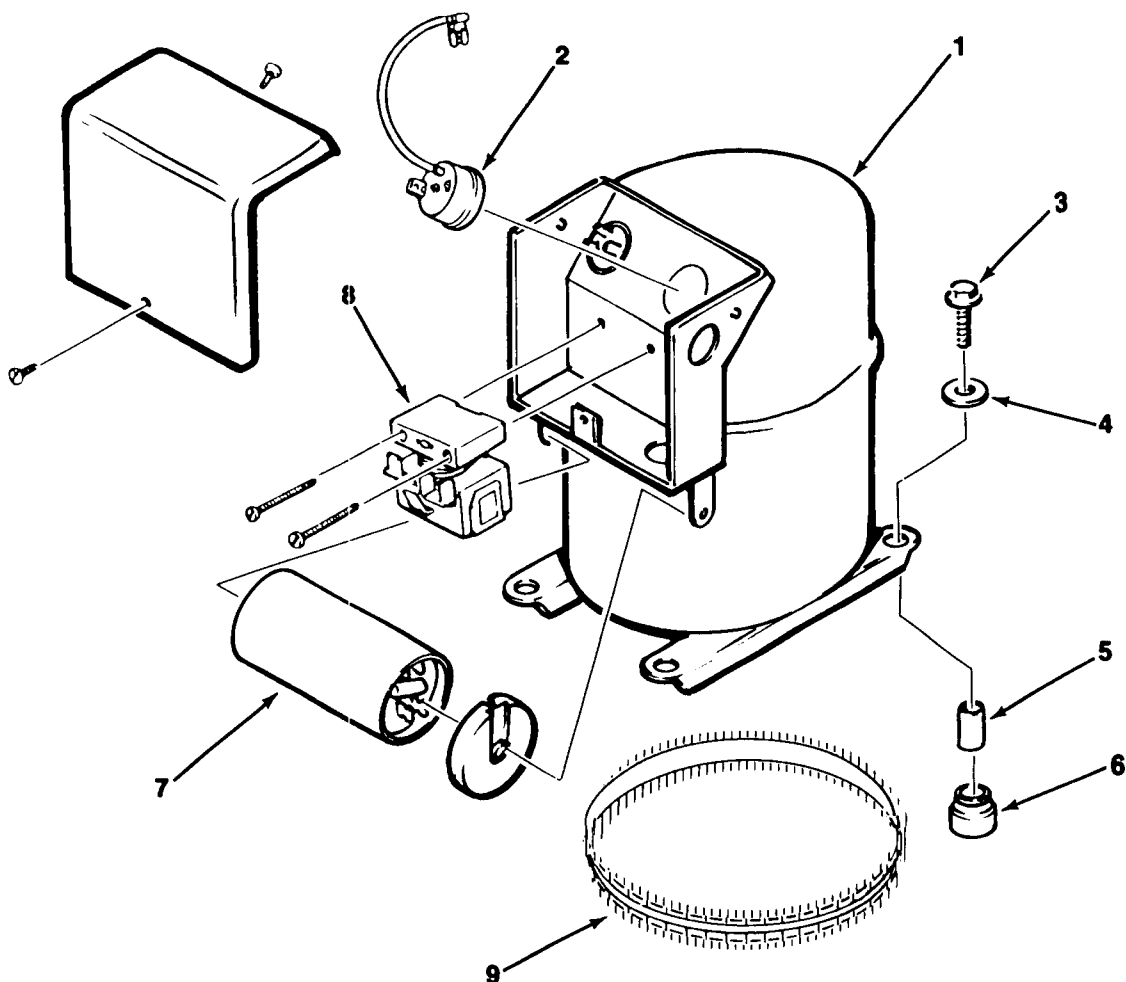
ITEM NUMBER	PART NUMBER	DESCRIPTION
1	02-1606-00	Oil Seal
2	13-0709-02	Water Shed C Model Only
3	02-2853-01	Oil Seal - Faces Up
4	03-1251-01	Screw*
5	A31230-001	Gear Case Cover Assembly*
6	02-1681-00	Thrust Race
7	03-1363-00	Retaining Ring
8	02-2541-01	Shaft, Output
9	03-1630-01	Key
10	02-2745-01	Gear, Output
11	02-1604-00	Third Pinion Assembly, Second Gear
12	02-1679-00	Thrust Race
13	A32368-020	Bearing (Includes Items 12, 13, & 14)
14	02-1679-00	Thrust Race
15	A26103-001	"O" Ring
16	A31230-001	Gear Case Assembly Bottom*
17	03-1408-24	Washer
18	02-1603-00	Second Pinion Assembly, First Gear
19	03-1408-24	Washer
20	12-1741-29	Bearing Shaft GE
	12-1741-20	Bearing Shaft Emerson
	12-2314-20	GE P.S.C.
21	A32425-001	Drive Motor
22	12-1741-28	Switch, Start (General Electric) #1
	12-1741-32	Start Switch (General Electric) #2
	12-2314-21	Centrifugal Switch P.S.C.
	12-1741-22	Switch, Start (Emerson)
23	A25835-001	Gearcase Oil (1) Pint
24	A32404-021	Gearmotor Assembly Complete
25	12-2314-22	Capacitor (For G.E. PSC Only)



*NOTE: Torque cover mounting screws 250-300 inch pounds.

*NOTE: Gearcase cover and bottom are sold as a set only. Order Part Number A31230-001

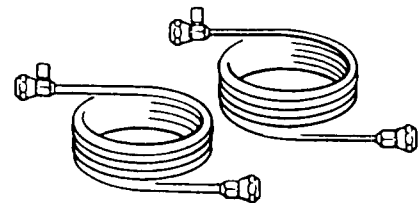
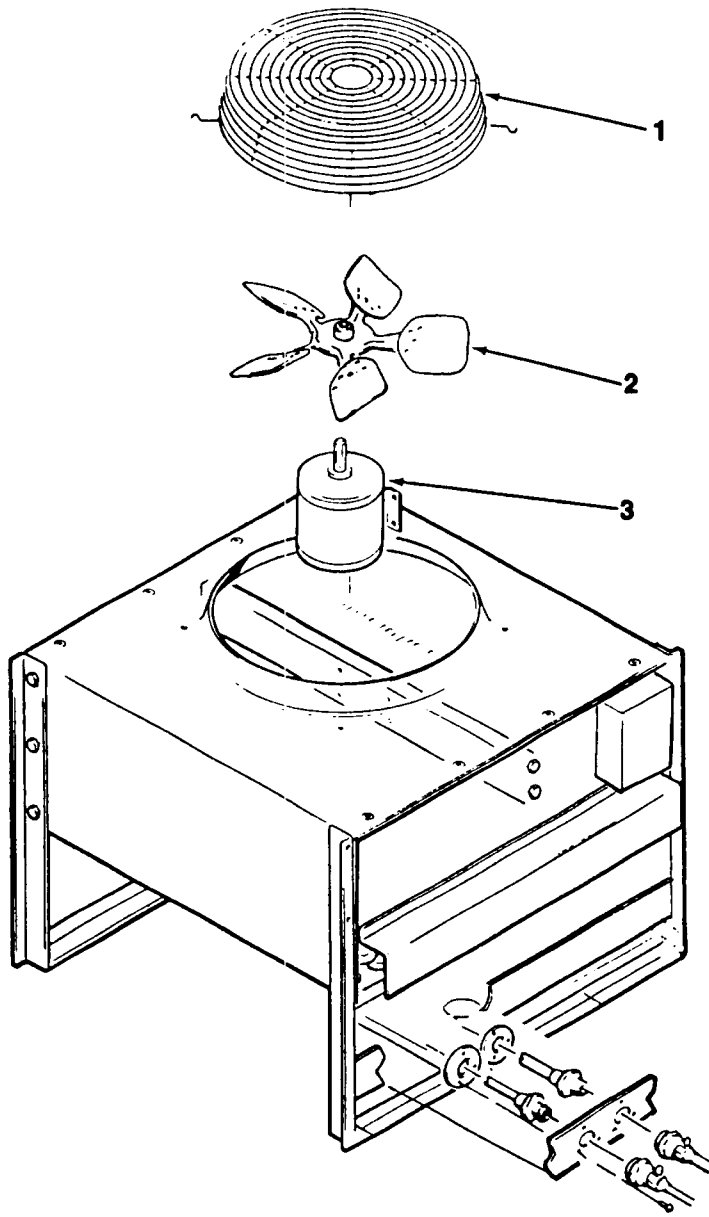
MH750R THE PARTS ILLUSTRATIONS AND PARTS LISTS



COMPRESSOR ASSEMBLY

ITEM NUMBER	PART NUMBER	DESCRIPTION
1	18-3900-01	Compressor (115/60/1)
	18-3900-02	Compressor (208-230/60/1)
2	18-2400-25	Overload (115/60/1)
	18-2400-26	Overload (208-230/60/1)
3	03-1406-01	Hex Nut
4	03-1407-07	Plain Washer
5	18-2200-27	Mounting Sleeve
6	18-2200-28	Mounting Grommet
7	18-1901-42	Capacitor (115/60/1)
	18-1901-43	Capacitor (208-230/60/1)
8	18-2410-00	Relay (115/60/1)
	18-2200-34	Relay (208-230/60/1)
9	12-1868-01	Crankcase Heater (115/60/1)
	12-1868-02	Crankcase Heater (208-230/60/1)

MH750R THE PARTS ILLUSTRATIONS AND PARTS LISTS



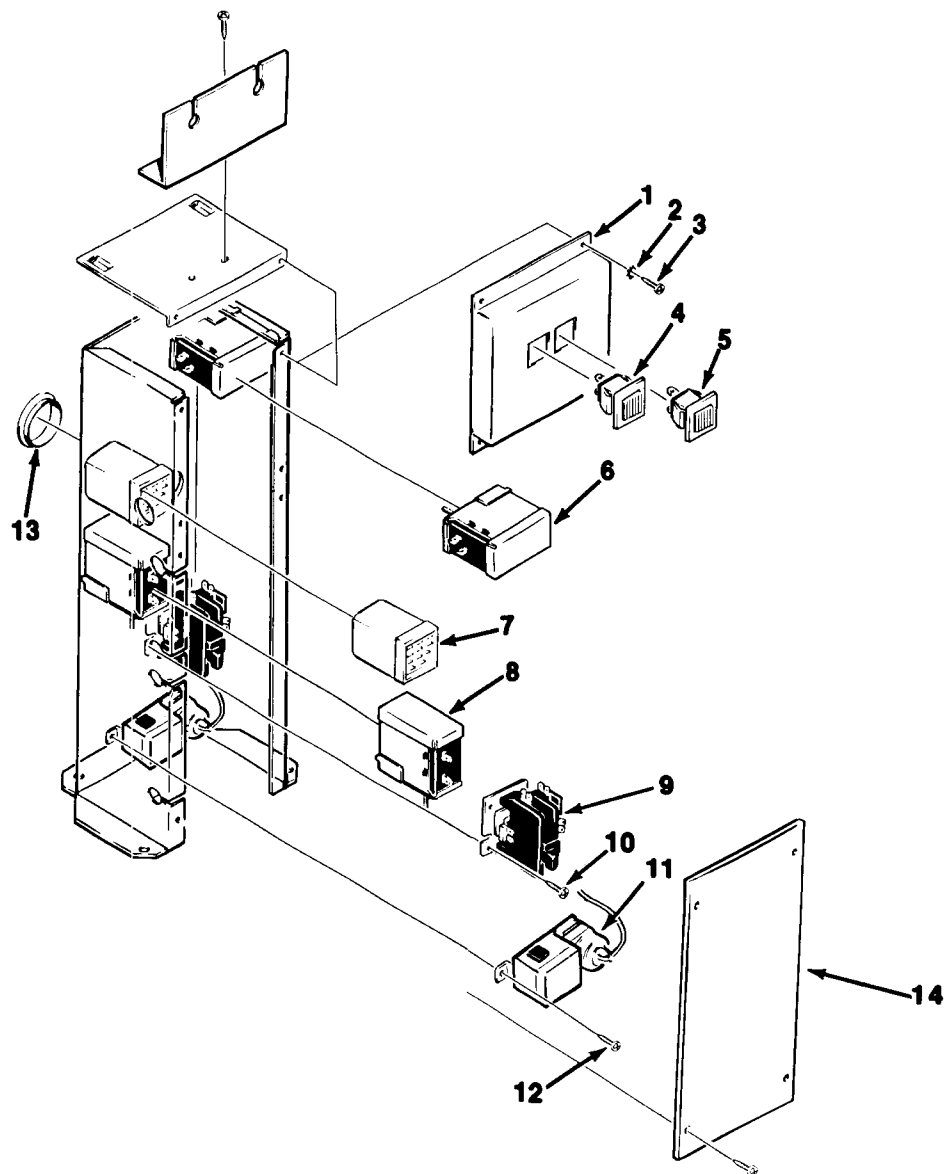
REMOTE CONDENSER RC151-32B RC302-32B

ITEM NUMBER	PART NUMBER	DESCRIPTION
1	02-2618-01	Guard, Fan
2	18-3733-01	Blade, Fan
3	18-5301-01	Motor, Fan (208-230/60/1)

PRE-CHARGED TUBING KIT

ITEM NUMBER	PART NUMBER	DESCRIPTION
1	RTCM225	25' Long
2	RTCM240	40' Long

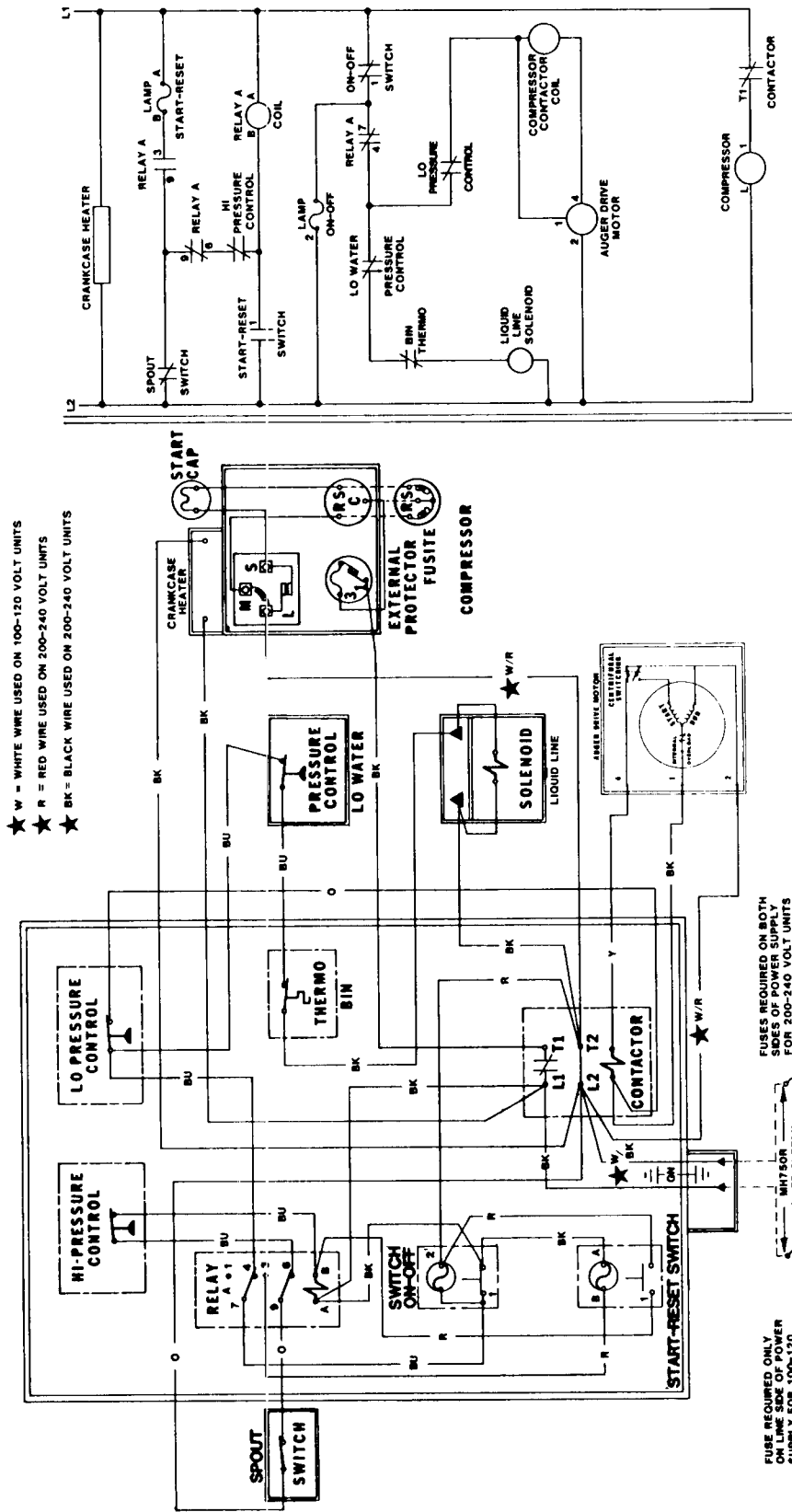
MH750R THE PARTS ILLUSTRATIONS AND PARTS LISTS



CONTROL BOX ASSEMBLY

ITEM NUMBER	PART NUMBER	DESCRIPTION
1	A30543-001	Switch Housing
2	03-1417-03	Lockwasher
3	03-1531-01	Screw, #8 x 3/8
4	12-2199-01	Switch, Start-Reset (115/60/1)
	12-2199-02	Switch, Start-Reset (208-230/60/1)
5	12-2200-01	Switch, On-Off (115/60/1)
	12-2200-02	Switch, On-Off (208-230/60/1)
6	11-0388-02	Pressure Control - Hi
7	12-2090-01	Relay (115/60/1) (1)
	12-2090-05	Relay (208-230/60/1)
8	11-0420-01	Pressure Control - Lo
9	12-2048-01	Contactor (115/60/1)
	12-2048-02	Contactor (208-230/60/1)
10	03-1403-17	Screw, #8 x 3/8
11	11-0354-00	Bin Thermostat
12	03-1403-17	Screw #8 x 3/8
13	12-1213-12	Snap Bushing
14	A30542-001	Control Box Cover

MH750R WIRING DIAGRAM



NOTE: DASHED LINES INDICATE FIELD WIRING WHICH MUST BE INSTALLED IN ACCORDANCE WITH THE NATIONAL ELECTRICAL CODE USING A MINIMUM OF 14 GA. AWG WIRE.

Wiring Diagram MH750RE-1A (115/60/1) Remote - Air-Cooled

A31930-001