

---

# Instructions

---

**Kit Numbers:** KDIL-N-ID2

**Kit Purpose:** To lower the ice level in the Scotsman ice dispensers when a Scotsman Nugget ice machine is stacked on top of the dispenser.

**Kit Contents:**

	Bin thermostat	Baffle/cap tube bracket, grommets & fasteners	Switch body mounting bracket A	Switch body mounting bracket B	Wire
KDIL-N-ID2	11-0353-23	included	For NME654 or NME954	For NME1254	included

**Applications & Other Requirements:**

- NME654 or NME954 onto ID200 or ID250. Also requires adapter kit KBT46 and KNUGDIV.
- NME1254 onto ID200 or ID250. Also requires adapter kit KBT44 and KNUGDIV.

**Installation Sequence:**

1. Ice slide
2. KNUGDIV
3. Adapter. Note: Retrofits of existing ice machine stacked on the dispenser will require a new adapter.
4. Ice machine
5. Thermostat

**Pre-Installation check list:**

- Removal of old ice machine and adapter (when used)
- KNUGDIV installed
- Dispenser and adapter are properly installed.
- Ice machine is placed onto dispenser / adapter combo.

## Installation: Dispenser

1. Disconnect electrical power from both the ice machine and the dispenser.



2. Install KNUGDIV per its instructions.
3. Install adapter per its instructions with the exception of the baffle.
4. Place nugget ice machine onto adapter. Be sure to seal the ice machine to the adapter. Note: sealant supplied with adapter.

## Ice Machine

5. Remove front panel.
6. Remove control box cover.
7. Uncoil the bin thermostat capillary tube.
8. Route the cap tube through a nearby snap bushing in the control box.

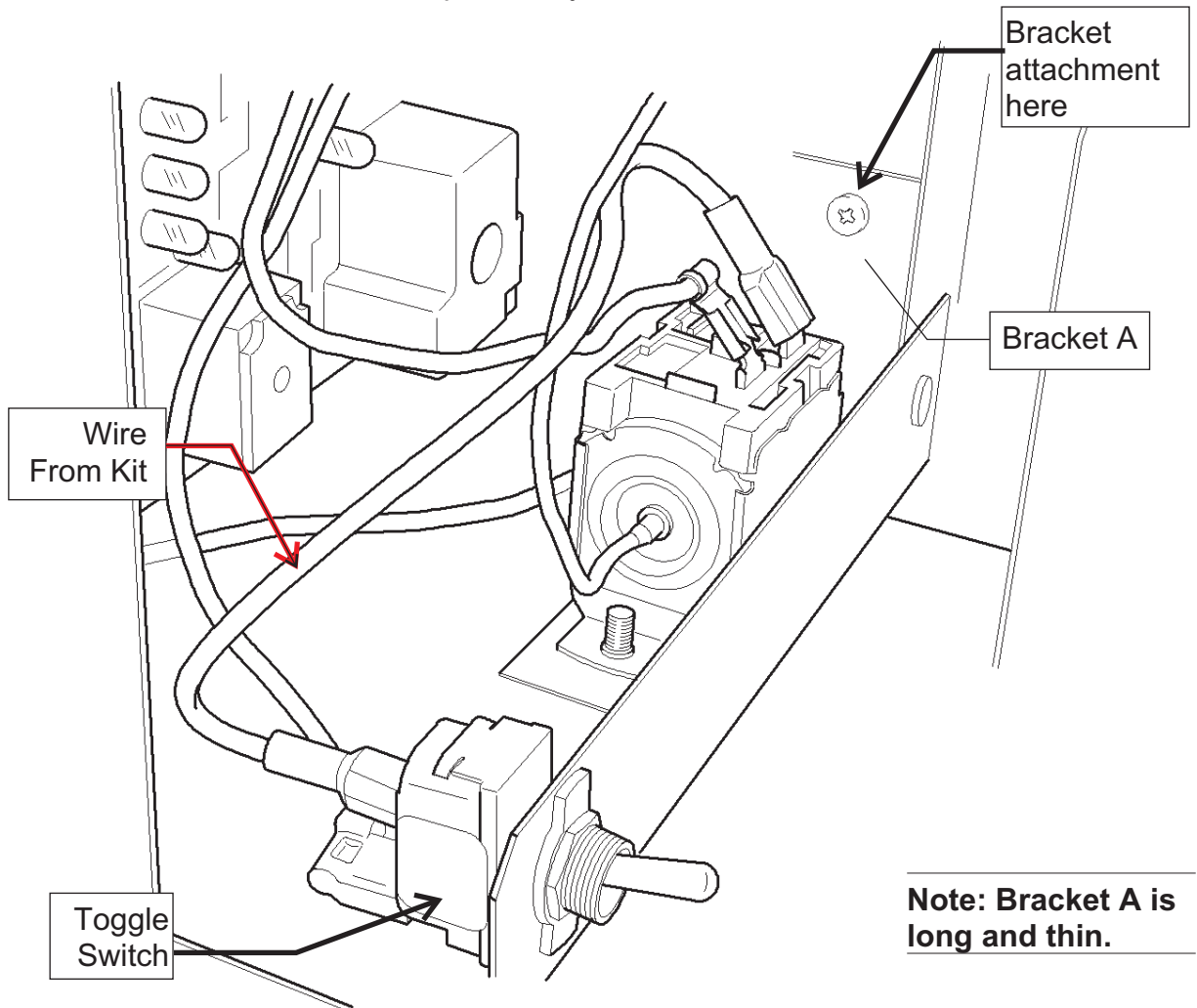
**Note: Refer to table below to select thermostat mounting and cap tube routing method.**

	NME654 and NME954 without routing hole	NME654 and NME954 with routing hole	NME1254 without routing hole	NME1254 with routing hole
Thermostat switch body mounting	Mount to supplied bracket A	Mount to supplied bracket A	Use supplied bracket B	Use supplied bracket B
Cap tube routing	Route next to chute	Route through hole in base	Route next to chute	Route through hole in base

9. Mount the thermostat inside the control box to the supplied bracket. Use the proper bracket from the kit.

A. Remove lowest mounting screw from the back of the control box.

B. Place the thermostat and bracket in the control box as shown in figure A or B. Attach to the control box with the screw previously removed.



**Figure A, Using Bracket A (for NME654 or NME954)**

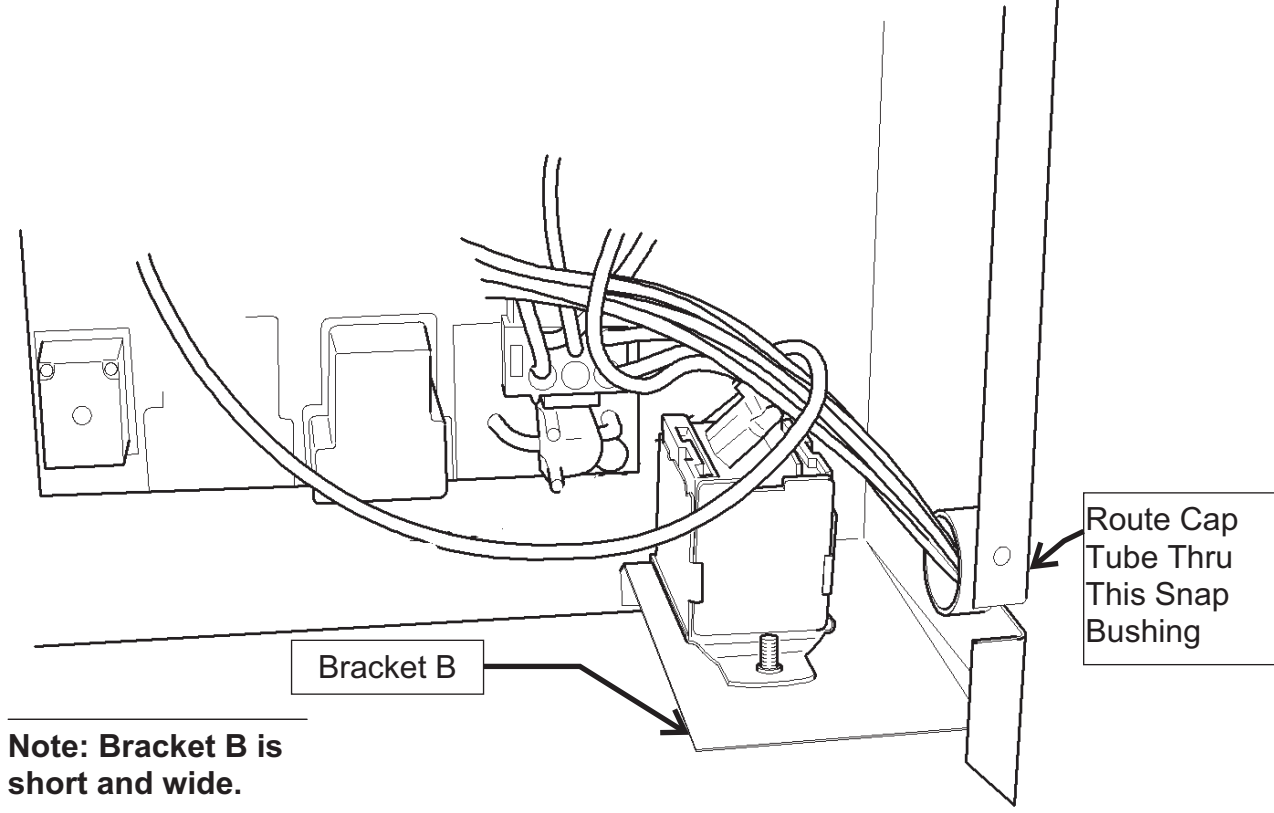
10. Connect the wire from the kit to one terminal of the bin thermostat.

11. Disconnect top wire from toggle switch.

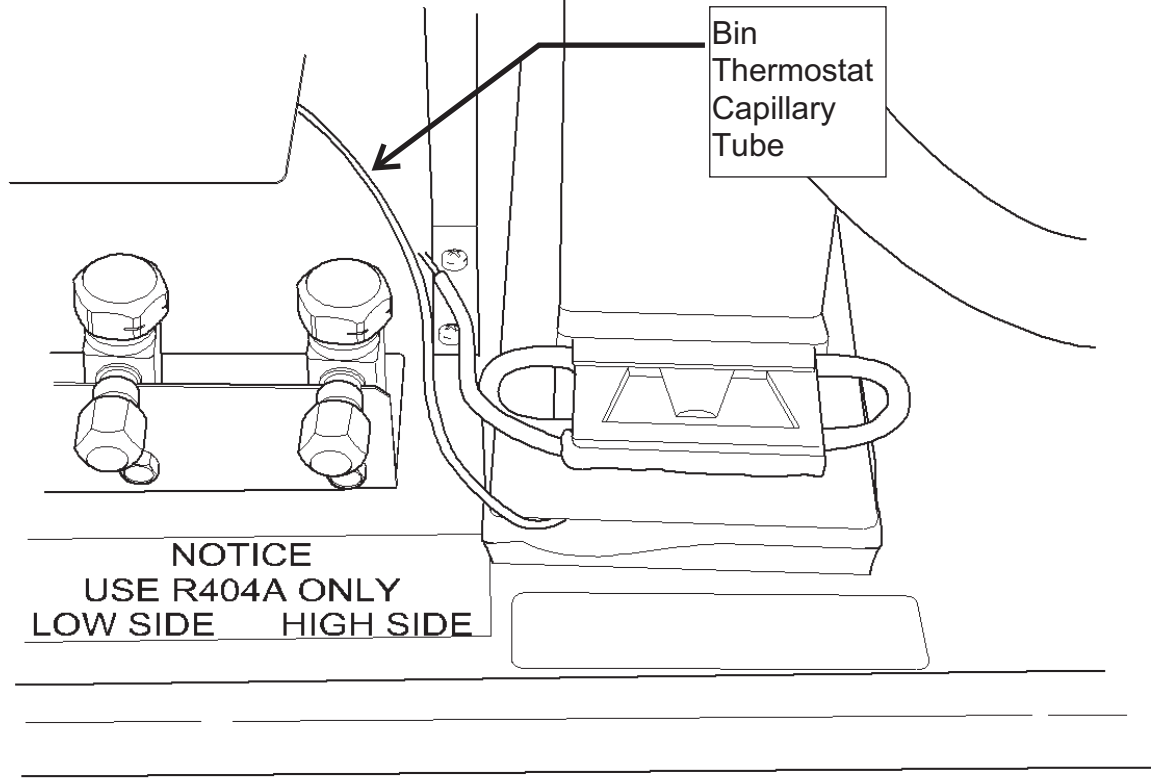
12. Connect wire removed in step 11 to open terminal on bin thermostat.

13. Connect wire from bin thermostat to open terminal on toggle switch.

14. Route bin thermostat capillary tube through foam gasket next to ice chute or through hole in base if available.



**Figure B, using Bracket B (for NME1254)**

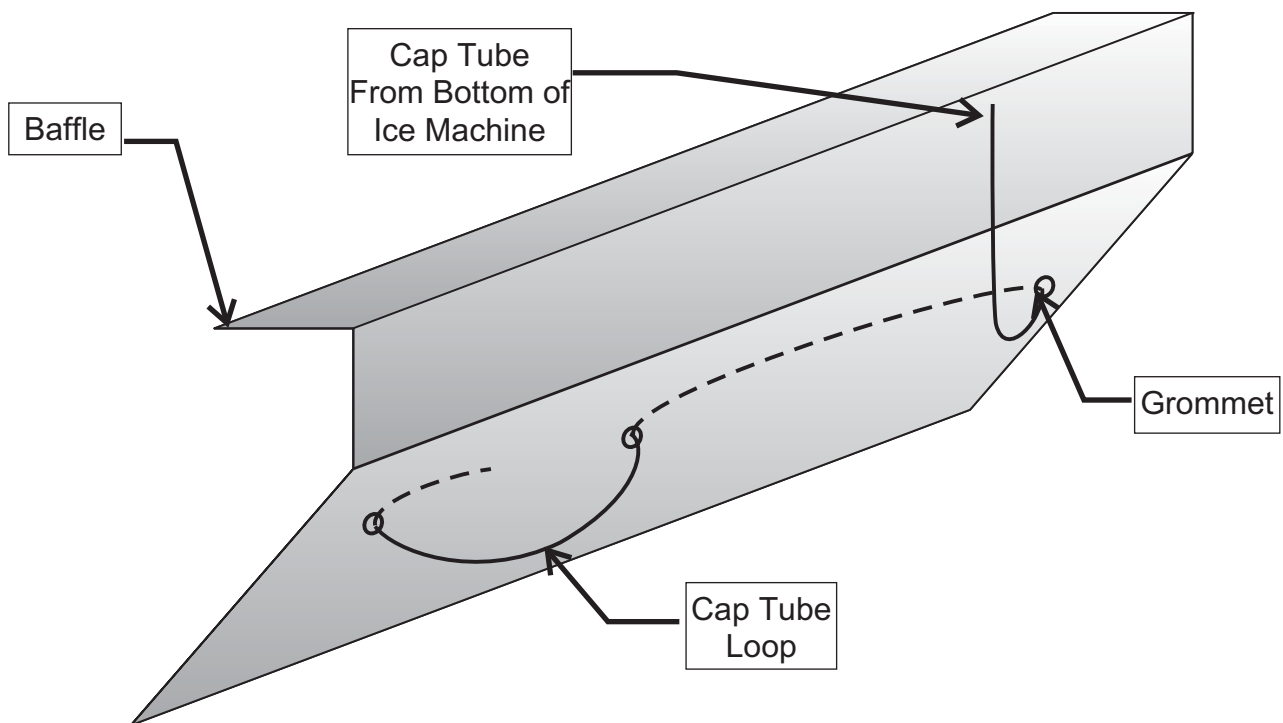


**Cap Tube Routed Next to Ice Chute**

## Dispenser Adapter

**Note: The baffle included with the adapter may or may not be suitable for thermostat capillary tube mounting. If it matches the one include with this kit it can be used, if it is not identical, use the one from the kit.**

15. Insert the three grommets from the kit in the three holes in the baffle.
16. Route the bin thermostat cap tube through the first hole (nearest an edge of the baffle), then through the second hole.
17. Route the cap tube from the second hole to the third.



**Ice Side View**

18. Form a loop on the inside of the baffle about 1" away from the baffle at the center

The bin thermostat's contacts are now in series with the mode switch of the ice machine. The bin full light on the ice machine control board will not react to the thermostat. The thermostat will stop the ice machine when the ice touches the capillary tube. It will restart a few moments after ice is no longer on the sensor.

19. Attach the baffle to the adapter using the hardware from the adapter kit or from the thermostat kit.
20. Be sure cap tube is routed away from the ice being discharged.

**Dispenser:**

22. Set the agitation for 2 seconds on, 3 hours off. See KNUGDIV for instructions.

Reconnect electrical power.

Return all panels and covers to their normal positions and secure with the original screws.