

# CSW1 Service Parts

This is the parts list for the CSW1 ice machine. This list contains all of the service parts currently available for any CSW1, either A, B or C series.

Ice machines with a model number of AC50 are the same as CSW1 "A" series.

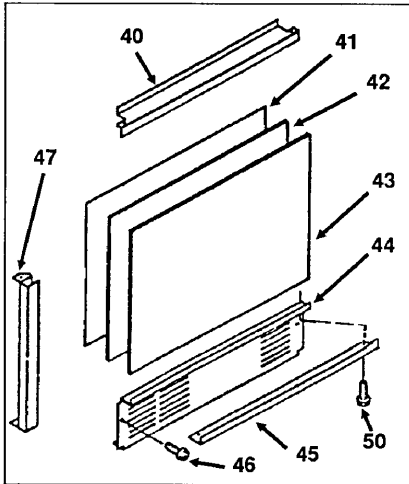
When ordering parts, carefully check the description to be certain of ordering the correct part.

## Table of Contents

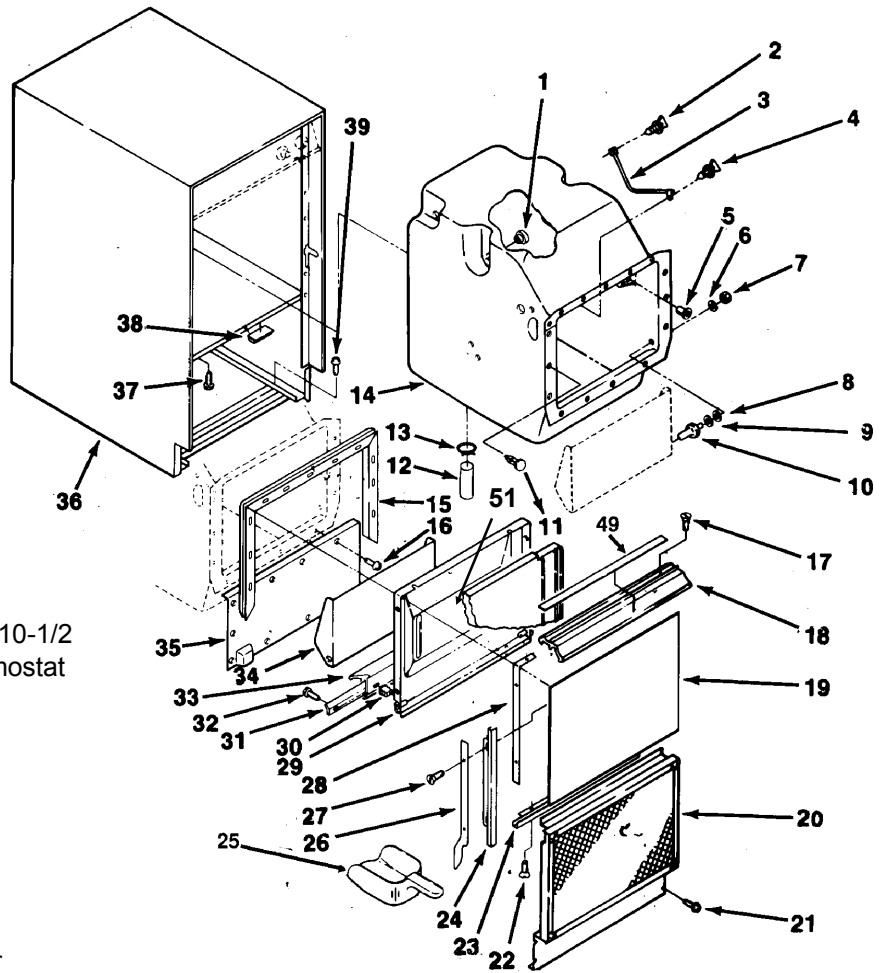
Cabinet . . . . .	Page 2
Refrigeration . . . . .	Page 3
Evaporator & Water System . . . . .	Page 4
Control Panel . . . . .	Page 5
Wiring Diagram . . . . .	Page 6

# CSW1 Service Parts

## B & C Models



## Cabinet



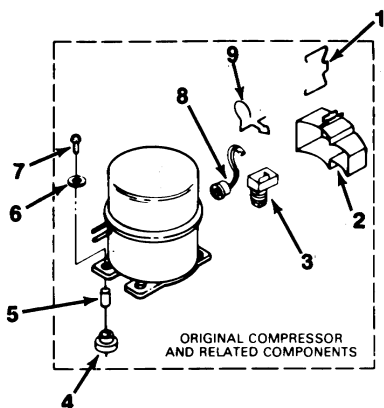
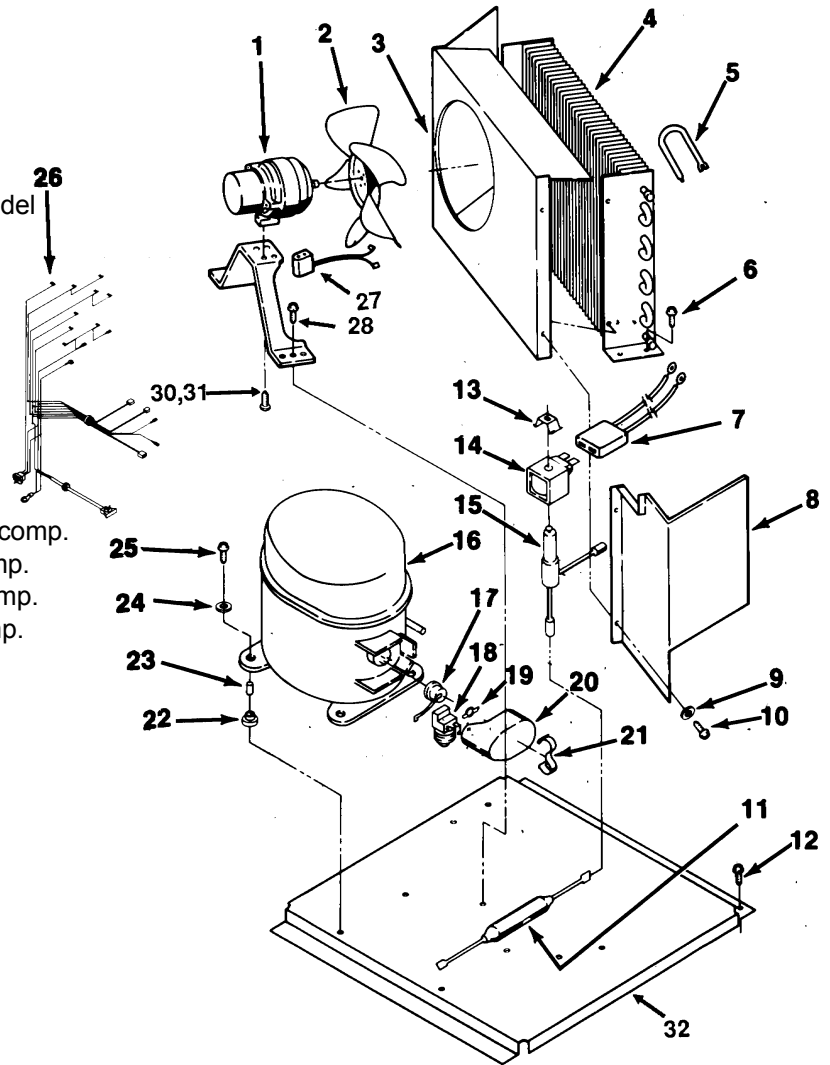
Item Number	Part Number	Description
1	0596715	Well nut (3)
2	0681534	Thumbscrew, 10-1/2
3	0561814	Well, bin thermostat
4	0680930	Thumbscrew
5	0680982	Molly nut
6	0680902	Washer
7	0487541	Hex nut
8	0680902	Washer
9	0596005	Washer (2)
10	0876827	Stud (2)
11	0596772	Clip, panel
12	0598894	Hose conector
13	0596023	Clamp
14	0756350	Liner
15	0758921	Gasket
16	0965173	Screw, 8-15 x 3/8
17	0681459	Screw
18	0756662	Door pull, A model
	0758662	Door pull, B model
	0759273	Door pull, C model
	0759274	Pocket handle, C model
19	0755364	Door panel, white & black A & B
	04210783	Door panel, white & black C model
20	0876926	Grill, A model
21	0098709	Screw
22	0681196	Screw
23	0755677	Trim
24	0758748	Door trim, A-B models (2)
	0758748	Door trim C model, (2)
25	02-3070-01	Scoop
26	0593184	Rail, rt. side
	0593185	Rail, lt. side
27	0681459	Screw
28	0593104	Tapping strip
29	0819361	Door liner
30	0593192	Hing plug

Item Number	Part Number	Description
31	0587960	Gasket strip, A model
32	0681149	Screw
33	0756347	Gasket, A model
	0758169	Gasket, B & C model
34	0756330	Inner bin door
35	02175619	Front support
36	02175636	Shelf
37	0681036	Ground screw
38	no number	Wire retainer
39	0241428	Screw
40	02175604	Panel support
41	0758771	Inner panel
42	02190138	Filter
43	04210783	Lower panel
44	0758769	Grill
	0759132	White toe plate
45	0758717	Panel trim, top & bottom
46	090767	Screw
47	0758714	Trim, sides (2)
48	0758608	Door insulation
49	0758752	Insert, door
50	0965173	Screw
51	0758608	Insulation, door

# CSW1 Service Parts

## Refrigeration

Item Number	Part Number	Description
1	0978483	Fan motor
2	0978655	Fan blade
3	0757955	Shroud
4	0756299	Condenser
5	02180807	Accumulator
6	0681198	Screw
7	0587971	Coil harness
8	0593519	Front deflector, A model
	0758811	Air deflector, B & C
9	0487343	Washer
10	090767	Screw
11	04387019	Drier
12	0241428	Screw
13	12-2009-01	Retainer
14	12-2008-01	Solenoid coil
15	0598086	Valve body
16	0485780	Compressor
17	0819098	Overload for service comp.
18	0989646	Relay for service comp.
19	0549086	Spring for service comp.
20	0549336	Case for service comp.
21	0549342	Bale strap
22	0553583	Grommet (4)
23	0482739	Sleeve (4)
24	0486645	Washer (4)
25	0680233	Screw (4)
26	0756657	Cabinet harness
27	0583663	Fan motor plug
28	0680198	Screw
29	0560817	Bracket
30	0488868	Screw, A model
31	0681650	Nut, B & C models
32	02180938	Unit base

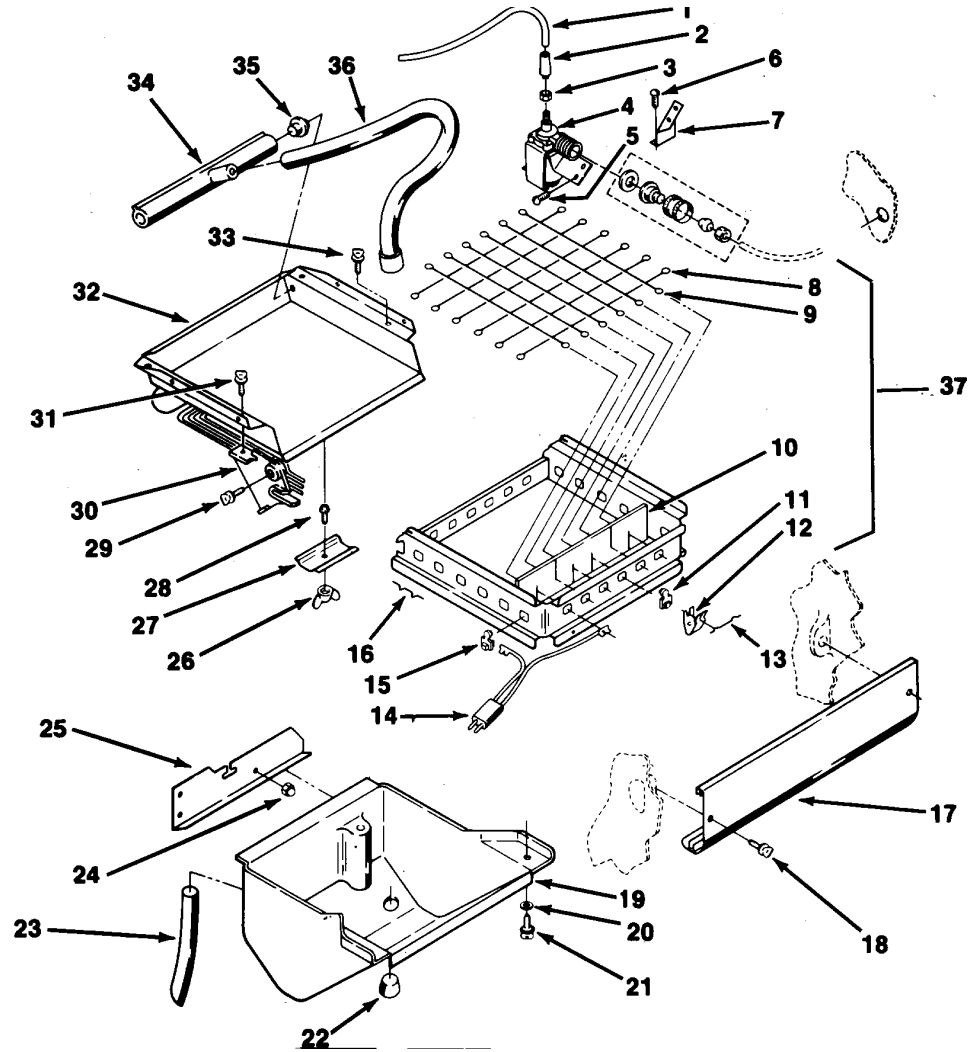
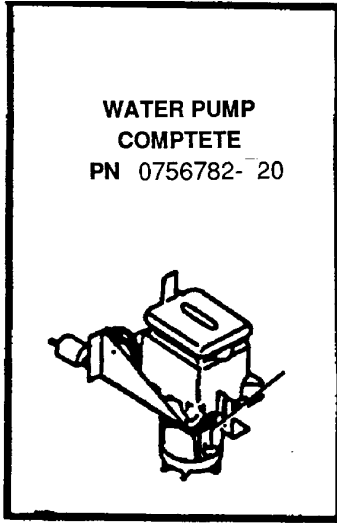


### ORIGINAL COMPRESSOR AND PARTS

Item Number	Parts Number	Description
1	0727045	Clamp
2	0727044	Cover, terminal
3	0758637	Start relay
4	0553583	Grommet
5	0482739	Sleeve
6	0486645	Washer
7	0680233	Screw
8	0819099	Overload
9	0727046	Clip

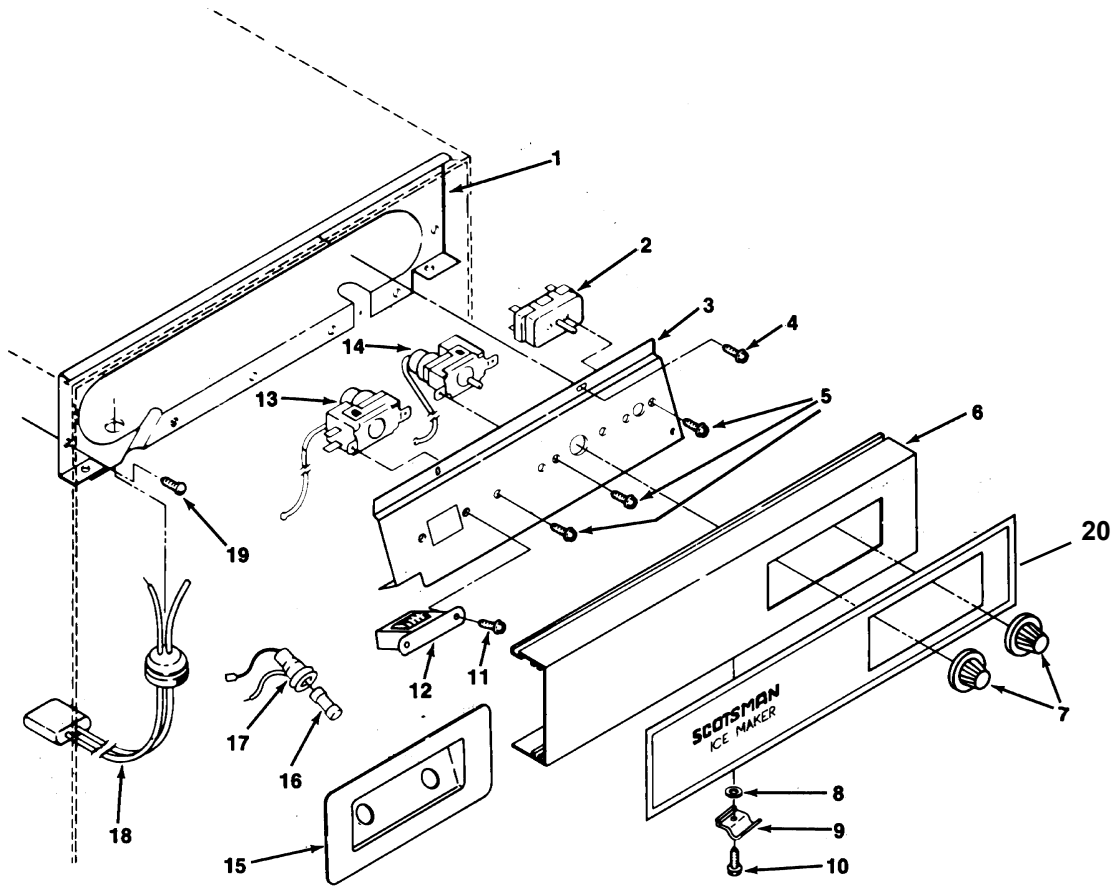
# CSW1 Service Parts

## Evaporator, Ice Cutter Grid and Pump



Item Number	Part Number	Description	Item Number	Part Number	Description
1	04387492	Tube, plastic	21	0681534	Thumbscrew
2	0841707	Insert	22	0759043	Stopper
3	0819380	Nut & sleeve assy.	23	0759109	Overflow hose
4	0759296	Inlet water valve	24	0681432	Acorn nut
5	0681198	Screw	25	0585853	Water pan shelf
6	090767	Screw	26	0487836	Wing nut
7	0756343	Bracket	27	0564064	Clamp
8	0588048	Grid cutter wire kit (9 pcs.)	28	0596037	Screw
9	0588109	Grid cutter wire kit (10 pcs.)	29	0680930	Thumbscrew
10	0563890	Shield	30	0756564	Bracket for grid mounting
11	0598277	Insulator	31	0681534	Thumbscrew
12	0759197	Clip	32	02181076	Evaporator
13	0278745	Pin	33	0681534	Thumbscrew
14	0587639	Cord	34	01129798	Water dispenser
15	0598277	Insulator	35	0758597	Plug (2)
16	0587111	Cutter wire pin	36	0585856	Tube
17	0593171	Grid panel	37	0758469	Grid, complete
18	0680930	Thumbscrew			1 1/4" x 1 1/2" cube
19	0756659	Pan			Grid, complete
20	0681245	Washer			3/4" x 3/4" cube

# CSW1 Service Parts Controls



Item Number	Part Number	Description	Item Number	Part Number	Description
1	0756664	Esutcheon Panel	12	0702386	Transformer, A model
2	02181045	Service switch		02165483	Transformer, B & C model
3	0756341	Control bracket	13	04318268	Bin thermo, A model
4	0965173	Screw		04318268	Bin thermo, B & C models
5	0486579	Screw	14	0598235	Evaporator thermostat
6	0593538	Escutcheon, A model	15	0755361	Cut, Escutcheon, A model
	0758978	Escutcheon, B model	16	0596009	Fuse
	02180940	Escutcheon, C model	17	0596008	Fuse holder
7	0756880	Knob, A & C models	18	0587578	Grid harness
	0758976	Knob, B model	19	0681036	Screw
8	0681245	Washer	20	0759266	Decal, Escutcheon C model
9	0759123	Latch	21	0759132	Escutcheon Panel Kit, black
10	0487246	Screw			
11	0488787	Screw, A model			
	0965173	Screw, B & C model			
			Misc Service Parts		
				0486645	Washer
				0680198	Screw.

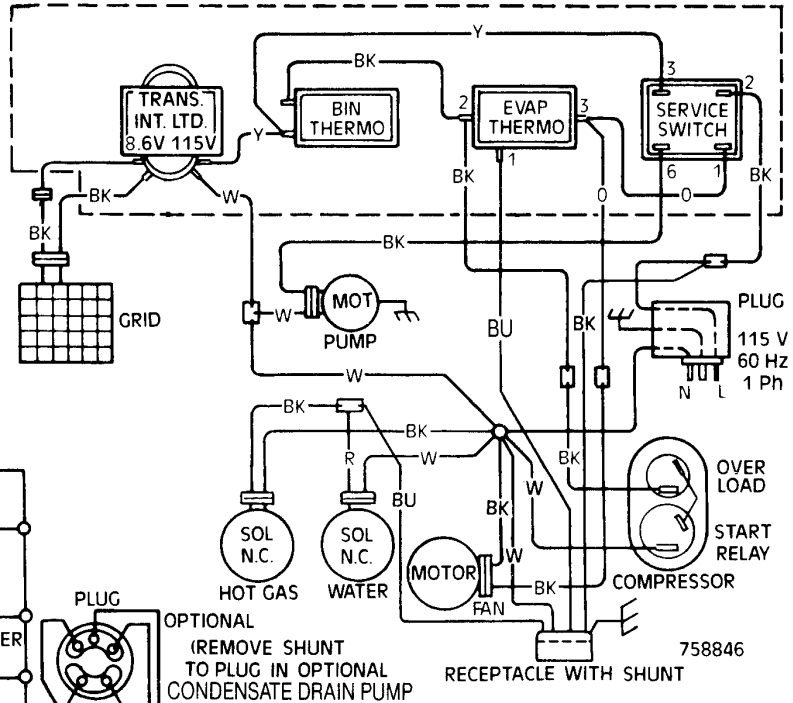
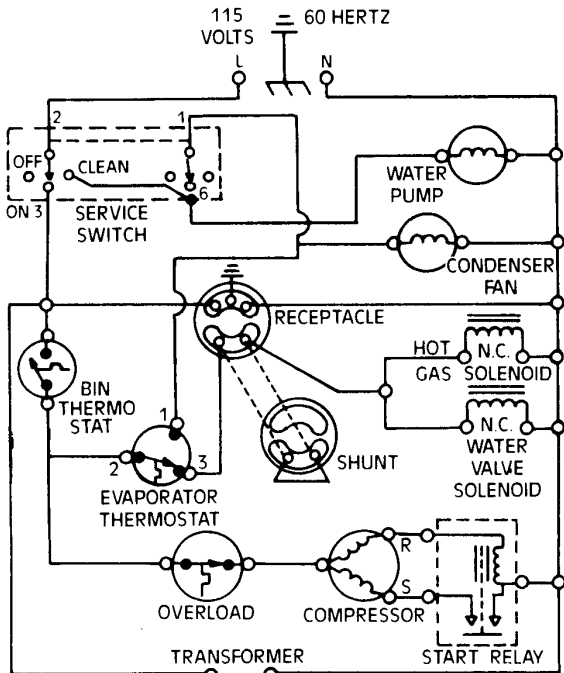
# CSW1 Service Parts

## Wiring Diagram

**DANGER:**  
ELECTRIC SHOCK HAZARD  
DISCONNECT POWER BEFORE SERVICING UNIT  
MAXIMUM FUSE SIZE: 15 OR 20 AMPS.

COLOR CHART	
R	RED
BK	BLACK
BU	BLUE
W	WHITE
Y	YELLOW
O	ORANGE

NOTE: CONTACTS SHOWN  
IN FREEZING CYCLE



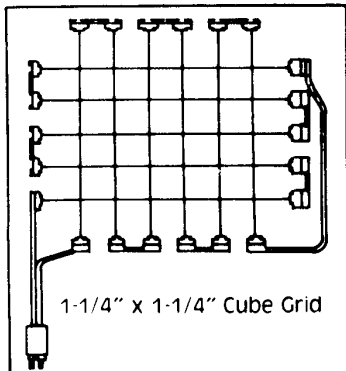
### UNIT WIRING DIAGRAM

This model operates at 115 volts except for the cutter grid circuit which operates at 8.5 volts at 1.9 amp for Cubelet Grid and 1.1 amp for Cube Grid.

The compressor runs at all times except when the bin thermostat becomes satisfied and opens up. This de-energizes the system except for the transformer and cutter grid.

Under normal operating conditions, when the evaporator reaches the preset temperature (+10° to -3°F, depending on thickness of ice) the evaporator thermostat opens, terminating operation of the fan motor and pump motor. The hot gas solenoid and the water valve solenoid are energized at this time and remain so until the evaporator reaches 38+2°F.

### CUBE CUTTER GRID



### CUBELET CUTTER GRIDS

