

CSWE1 Service Parts

This is the parts list for the CSWE1 ice machine.

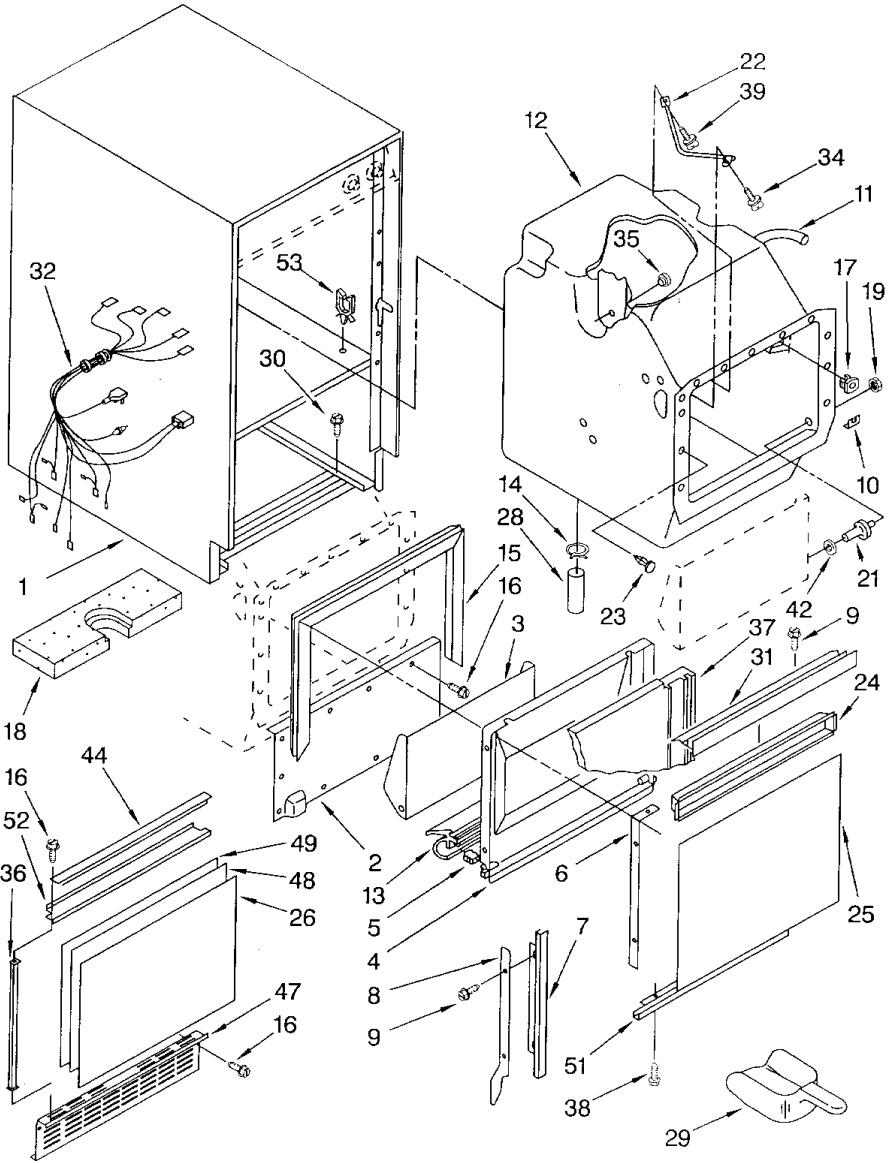
When ordering parts, carefully check the description to be certain of ordering the correct part.

Table of Contents

Cabinet	Page 2
Refrigeration	Page 3
Evaporator & Water System	Page 4
Control Panel	Page 5
Wiring Diagram	Page 6

CSWE1 Service Parts Cabinet

Item Number	Part Number	Description
1	02175636	Cabinet shell
2	02175619	Front of shell
3	0756330	Inner bin door
4	0819361	Door liner
5	0593192	Hing plug
6	0593104	Tapping strip
7	0758748	Door trim
8	0593184	Right side rail
	0593185	Left side rail
9	0681459	Screw
10	0758492	Washer
11	0759213	Water fill tube
12	0756350	Liner
13	02172898	Bottom gasket
14	0596023	Clamp
15	0758921	Gasket
16	0488729	Screw #8 x 1/2
17	0596807	Grommet
18	0588490	Bottom insulation
19	0681542	Nut
21	0758220	Stud
22	0561814	Bin thermo well
23	0596605	Panel clip
24	0759274	Handle packet
25	04210783	Exterior panel
26	04210783	Outer panel
28	0593577	Hose connector
29	0585158	Scoop
30	0241428	Screw
31	0759273	Recessed handle
32	02174781	Cabinet harness
34	0680930	Thumbscrew
35	0596715	Well nut
36	0758714	Side trim
37	0758608	Door insulation
38	0681196	Screw
39	0681534	Thumbscrew
42	0681613	Washer
44	0758717	Trim
47	0758769	Front grill (black)
	0759132	Front grill (white)
48	02190138	Filler panel
49	0758771	Innet panel
51	0755677	Lower door trim
52	02175604	Front support
53	0489482	Retainer wire

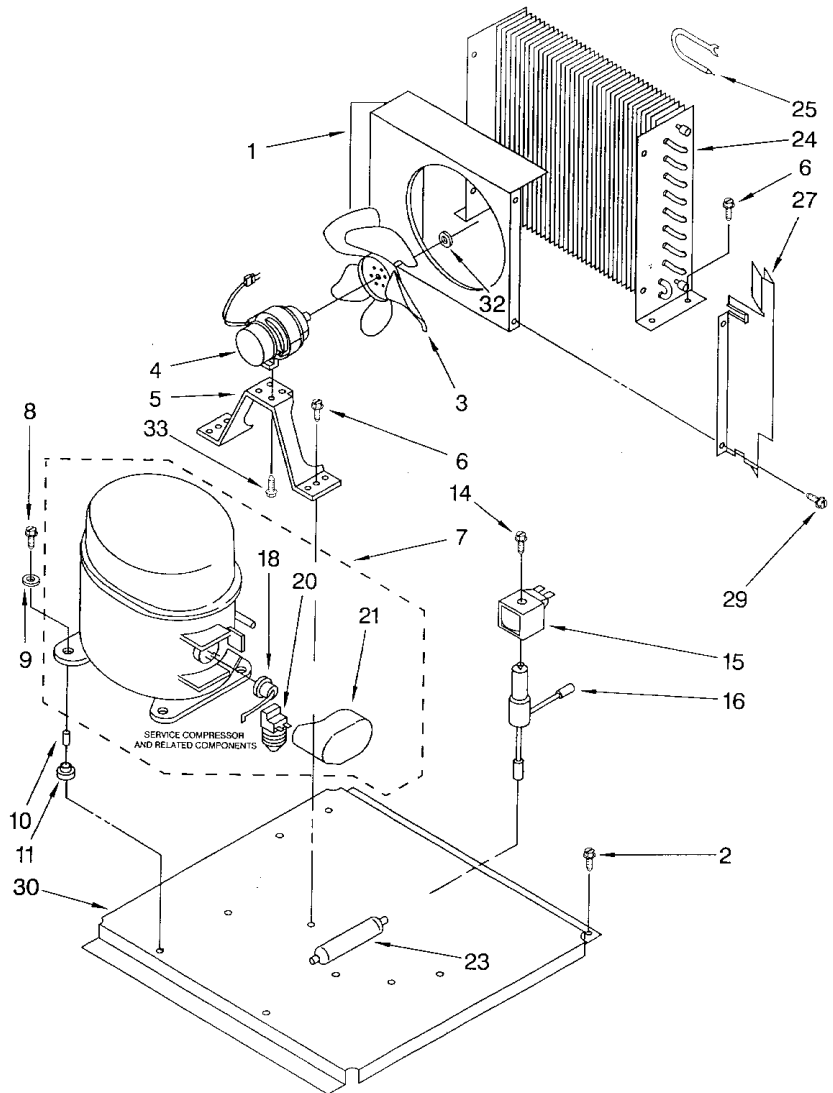


Item numbers 20, 27, 33, 40, 41, 43, 45, 46 and 50 are not used.

CSWE1 Service Parts

Refrigeration

Item Number	Part Number	Description
1	02180948	Shroud
2	0214428	Screw
3	0978655	Fan blade
4	0978483	Fan motor
5	0560817	Bracket
6	0680198	Screw, 1/4 20
7	04387773	Compressor*
		includes all starting parts
8	0680233	Screw
9	0486645	Washer
10	0482739	Sleeve
11	0553583	Grommet
12	not used	
13	not used	
14	0489472	Screw
15	0759112	Hot gas valve coil
16	0759113	Hot gas valve body
17	not used	
18	02183404	Overload
19	not used	
20	02183410	Start relay
21	02162358	Terminal cover
22	not used	
23	04387019	Drier
24	02180808	Condenser
25	02180807	Accumulator
26	not used	
27	0758811	Front deflector
28	not used	
29	090767	Screw
30	02180938	Base
31	not used	
32	0681650	Washer
33	0488868	Screw



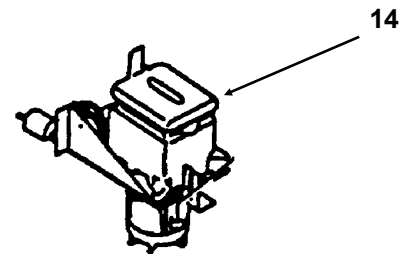
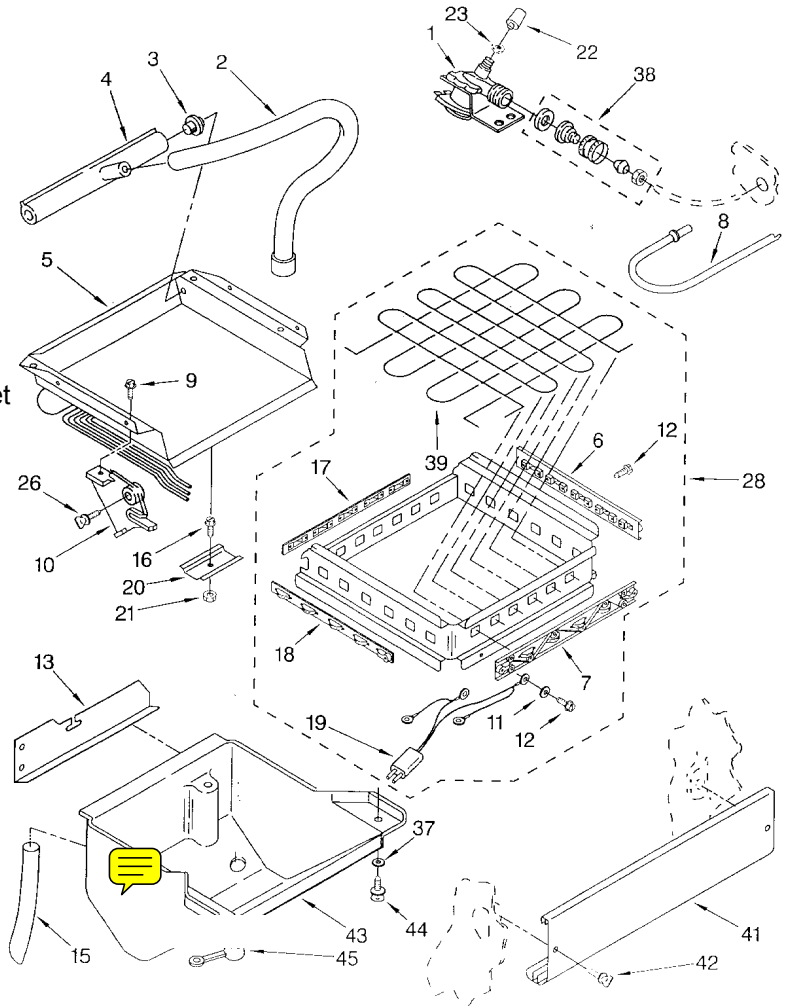
* Service Compressor Replacement Parts:
 Note: Parts are only for replacment compressors that use a run capacitor.

10	04387559	Sleeve
11	04387558	Grommet
20	04387766	Relay, overload and terminal cover
34	04387764	Run Capacitor

CSWE1 Service Parts

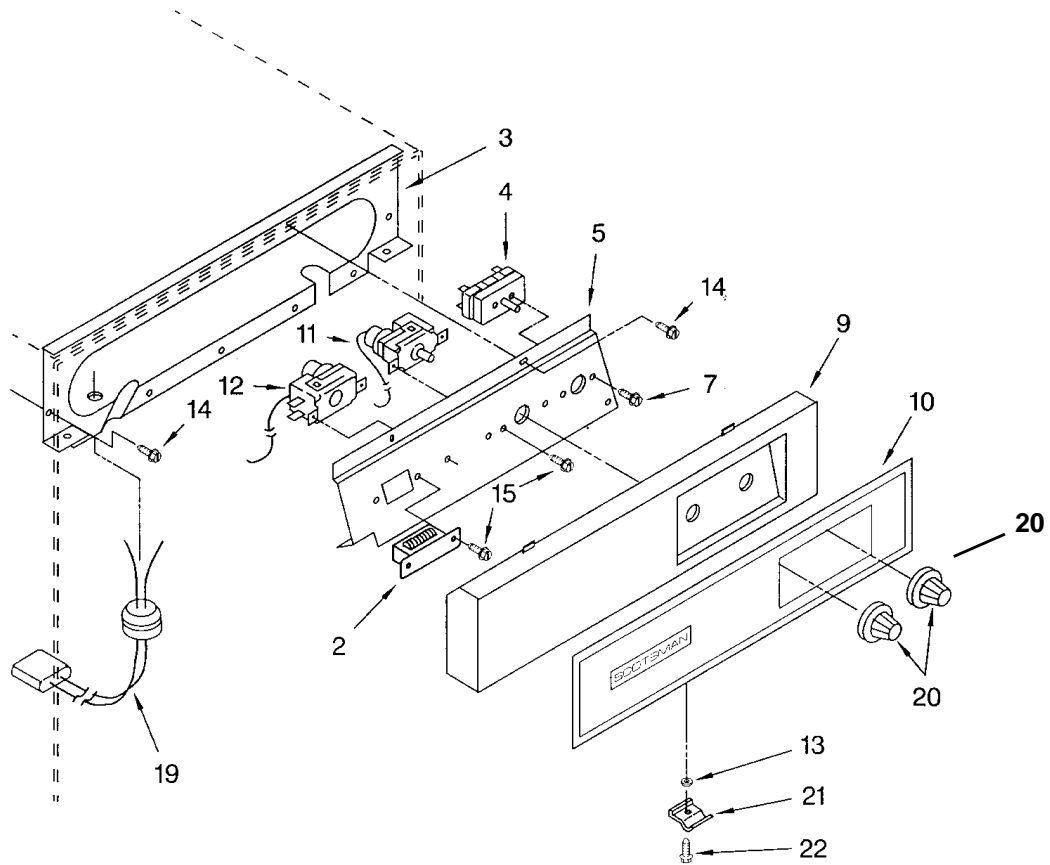
Evaporator, Ice Cutter Grid and Pump

Item Number	Part Number	Description
1	0759296	Water valve
2	0585856	Plastic tube
3	0758597	Plug
4	01129798	Water dispenser
5	02181076	Evaporator
6	02174726	Side spacer
7	02174724	Front spacer
8	0759213	Water fill tube
9	0681414	Screw
10	0756564	Grid mounting bracket
11	0681245	Washer
12	0489443	Screw
13	0585853	Water pan shelf
14	0756782-20	Water pump
15	0759109	Overflow hose
16	0596037	Screw
17	02174725	Rear spacer
18	02174727	Fixed side spacer
19	02174750	Grid harness
20	0587662	Clamp
21	0487836	Clamp
22	0841707	Insert
23	0627018	Nut & sleeve assy
24	not used	
25	not used	
26	0241428	Thumbscrew
27	not used	
28	02174861	Grid complete
29-36	not used	
37	0681245	Washer
38	02165477	Adapter
39	04387020	Grid cutter wire - not a kit - order two
40	not used	
41	0593171	Grid panel
42	0681534	Thumbscrew
43	0756659	Pan
44	0681534	Thumbscrew
45	0759043	Water stopper



CSWE1 Service Parts

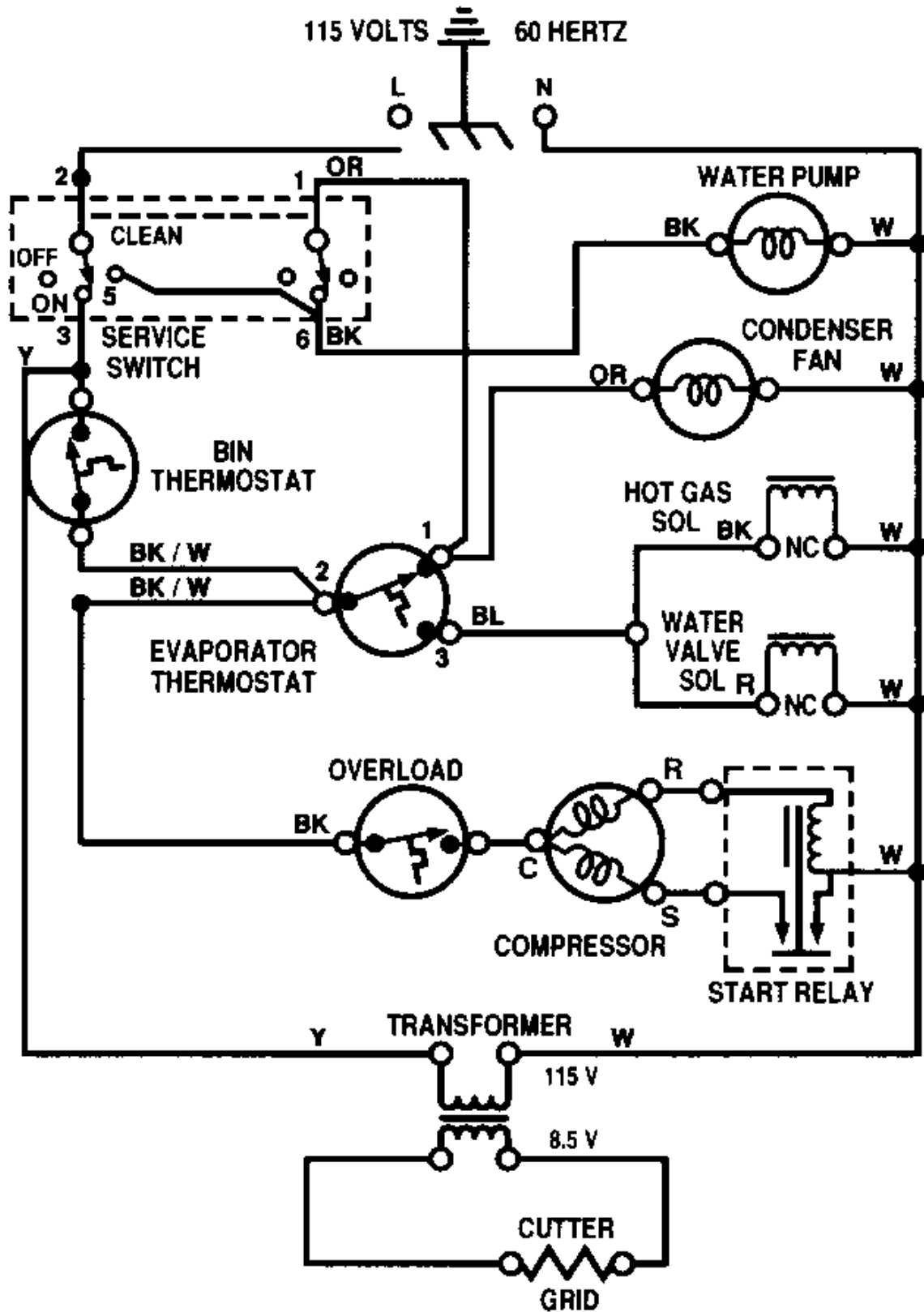
Controls



Item Number	Part Number	Description	Item Number	Part Number	Description
1	not used		12	0759309	Bin thermostat
2	02165483	Transformer	13	0681245	Washer
3	02165530	Escutcheon panel	14	0488729	Screw
4	02181045	Service switch	15	04162214	Screw
5	02172846	Control bracket	16	not used	
6	not used		17	not used	
7	0486579	Screw	18	not user	
8	not used		19	0587578	Grid harness
9	02180940	White panel	20	0759125	Knob - white
	0758978	Black panel		0758976	Knob - black
10	0759266	Decal - white	21	0759123	Latch
	0758979	Decal - black	22	0487277	Screw
11	0759308	Evaporator thermostat			

CSWE1 Service Parts

Schematic Diagram



SERVICE BULLETIN

Subject: CSWE1 Compressor

The REPLACEMENT compressor for the CSWE1 has changed. The new compressor part number is: **04387773**. It is a complete kit that includes the starting components.

Replacement parts for this compressor are:

- 04387766 Relay and Overload Assembly
- 04387731 Terminal cover
- 04387764 Run capacitor
- 04387558 Mounting Grommet
- 04387559 Mounting sleeve

Note: Only the replacement compressor uses a run capacitor. That compressor uses the service parts listed above. The service part numbers for the original equipment compressor do not change.

To add the run capacitor when replacing a compressor:

On the compressor relay, one side has two quick connect posts.

- Connect the white wire to either one of the two posts on the side of the relay that has the two posts.
- Connect the Black wire to the overload.
- Connect wires between the run capacitor and the two open posts on the relay. Be sure the terminals are insulated.
- The run capacitor must also be mounted to the machine. Drill a small hole in the machine and secure the capacitor to the machine with a screw.