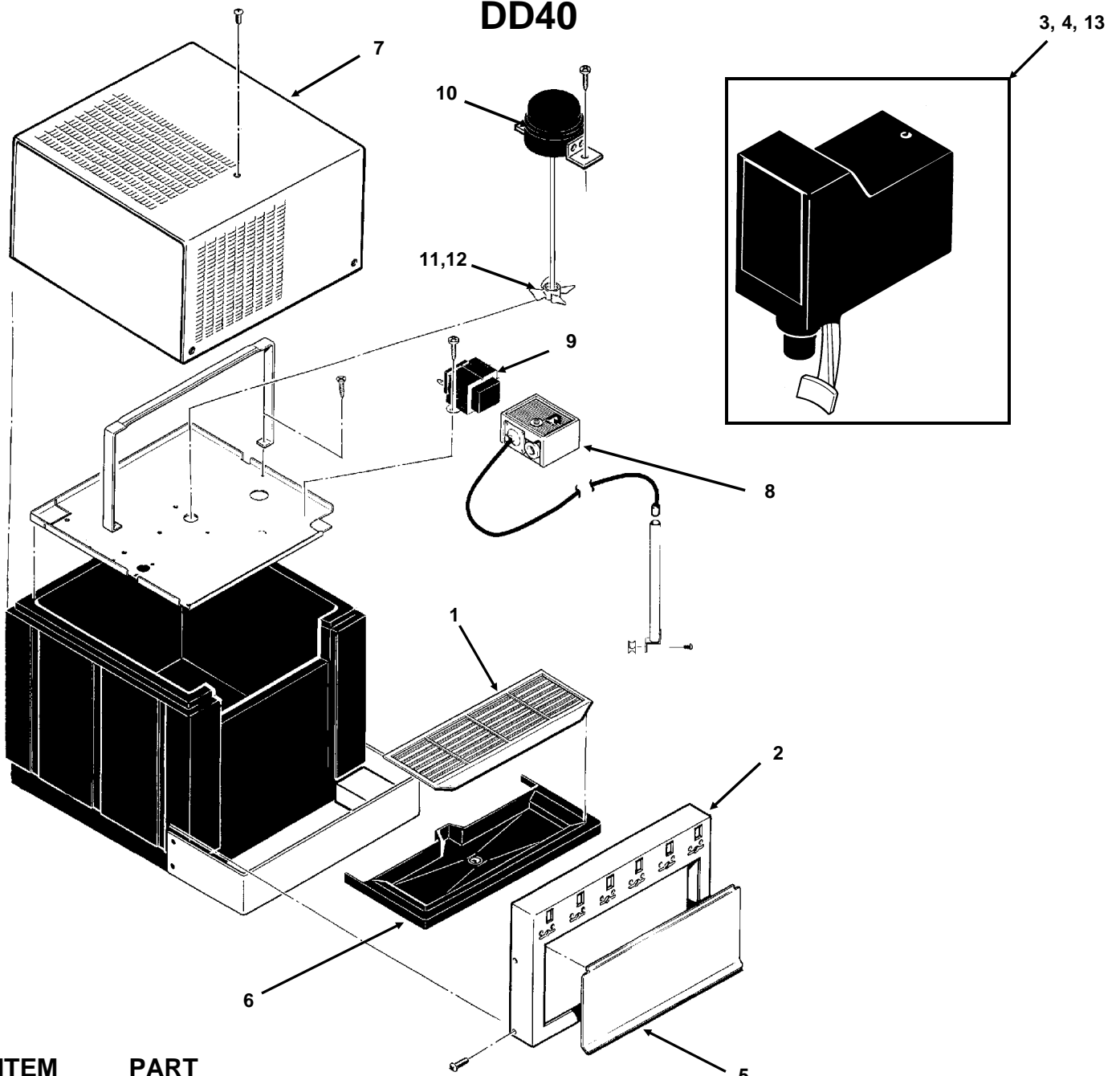


# SERVICE PARTS

## DD40



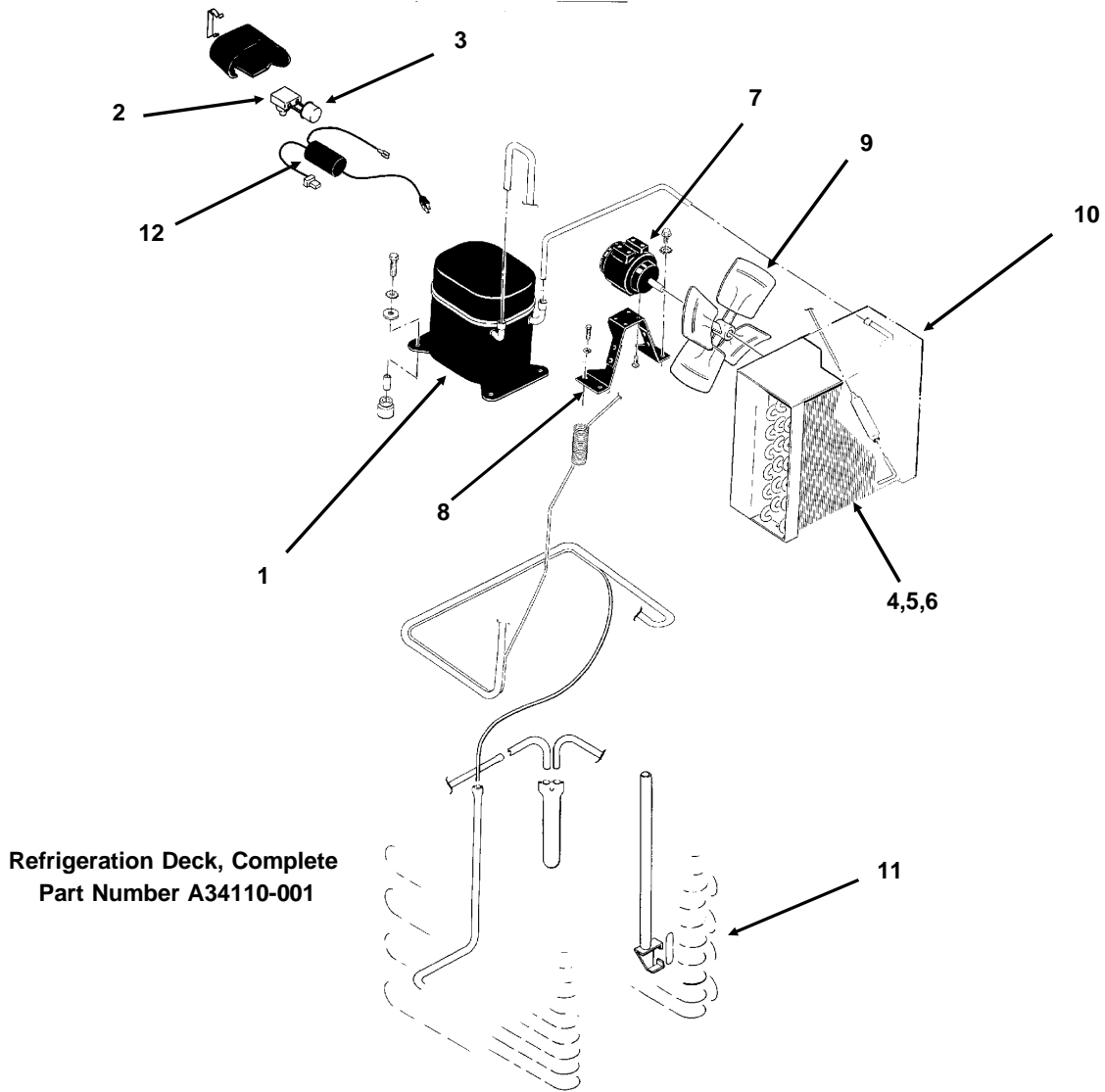
ITEM NUMBER	PART NUMBER	DESCRIPTION
1	A34103-001	Cup Rest
2	A34105-001	Valve Panel
3	A34106-001	Booth Valve, without side actuator
4	A34107-001	Booth Valve, with side actuator
5	A34109-001	Access Panel
6	A34118-001	Drain Pan Assembly
7	A34117-001	Stainless Steel Cover
8	A34098-001	Thermostat
9	A34137-001	Transformer
10	A34132-001	Agitator Motor
11	A34134-001	Impeller
12	A34135-001	Cotter Key
13	A34108-001	Quick Disconnect with check valves

February, 1988

Page 1

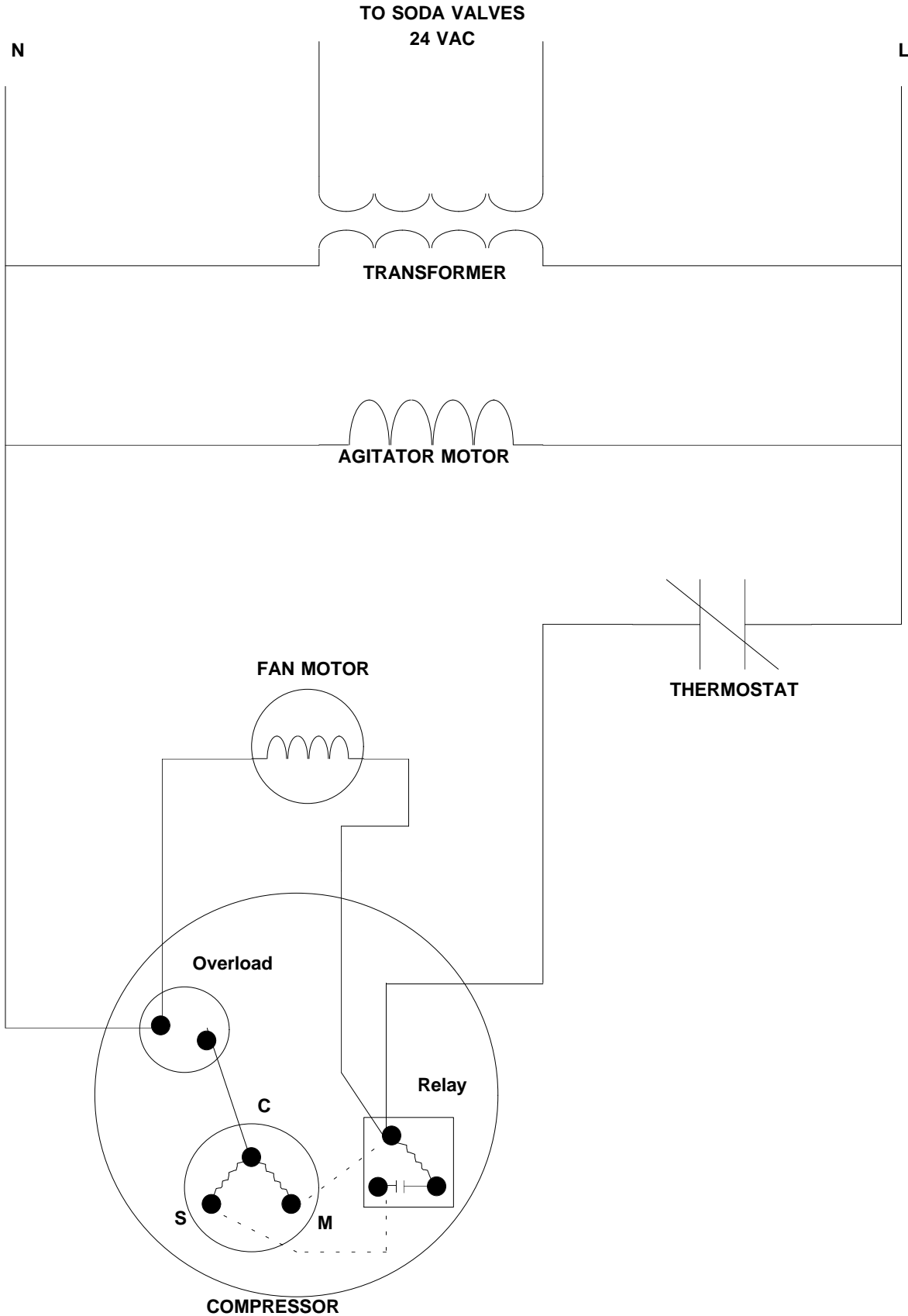
# SERVICE PARTS

## DD40

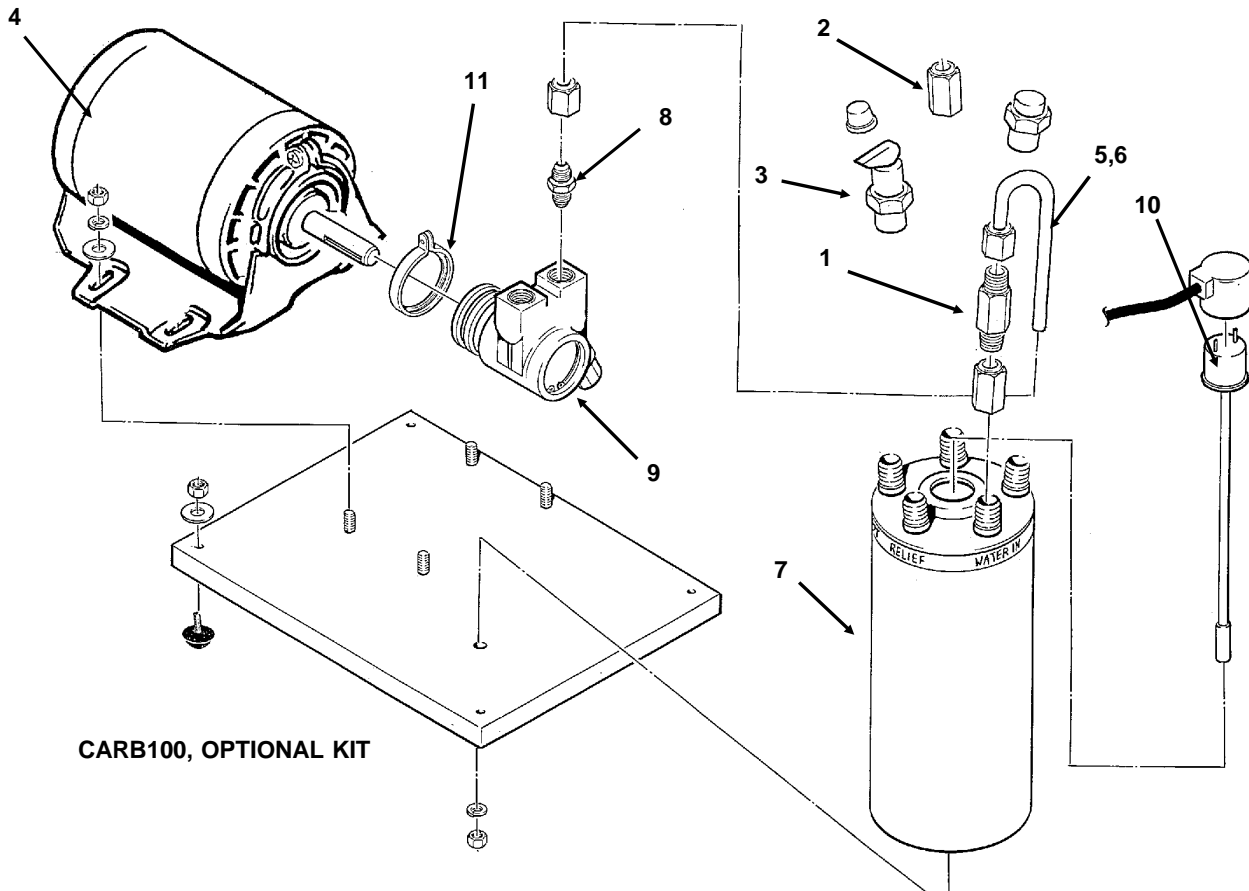


ITEM NUMBER	PART NUMBER	DESCRIPTION
1	A34092-001	Compressor, Complete
	A34096-001	Grommet
	A34097-001	Sleeve
	A34127-001	Locknut
	A34126-001	Washer
2	A34129-001	Relay
3	A34130-001	Overload Protector
4	A34084-001	Condenser
5	A34085-001	Filter
6	A34086-001	Filter Clip
7	A34088-001	Fan Motor
8	A34089-001	Bracket
9	A34087-001	Fan Blade
10	A34124-001	Condenser Shroud
11	no number	Evaporator
12	A34101-001	Wiring Harness

# SERVICE PARTS DD40 WIRING DIAGRAM



# SERVICE PARTS



CARB100, OPTIONAL KIT

ITEM NUMBER	PART NUMBER	DESCRIPTION	ITEM NUMBER	PART NUMBER	DESCRIPTION
1	A34159-001	Water Inlet Assembly	7	A34165-001	Carbonator Tank
2	A34160-001	Gas Inlet Assembly	8	A34166-001	Brass Union
3	A34161-001	Pressure Relief Valve	9	A34167-001	Pump
4	A34162-001	Motor	10	A34168-001	Float Probe Ass'y
5	A34163-001	3/8" Nylon Washer	11	02-1527-00	Clamp
6	A34164-001	Line Assembly			

## ICE CHEST PARTS (ACCESSORY ITEMS)

