

HD156

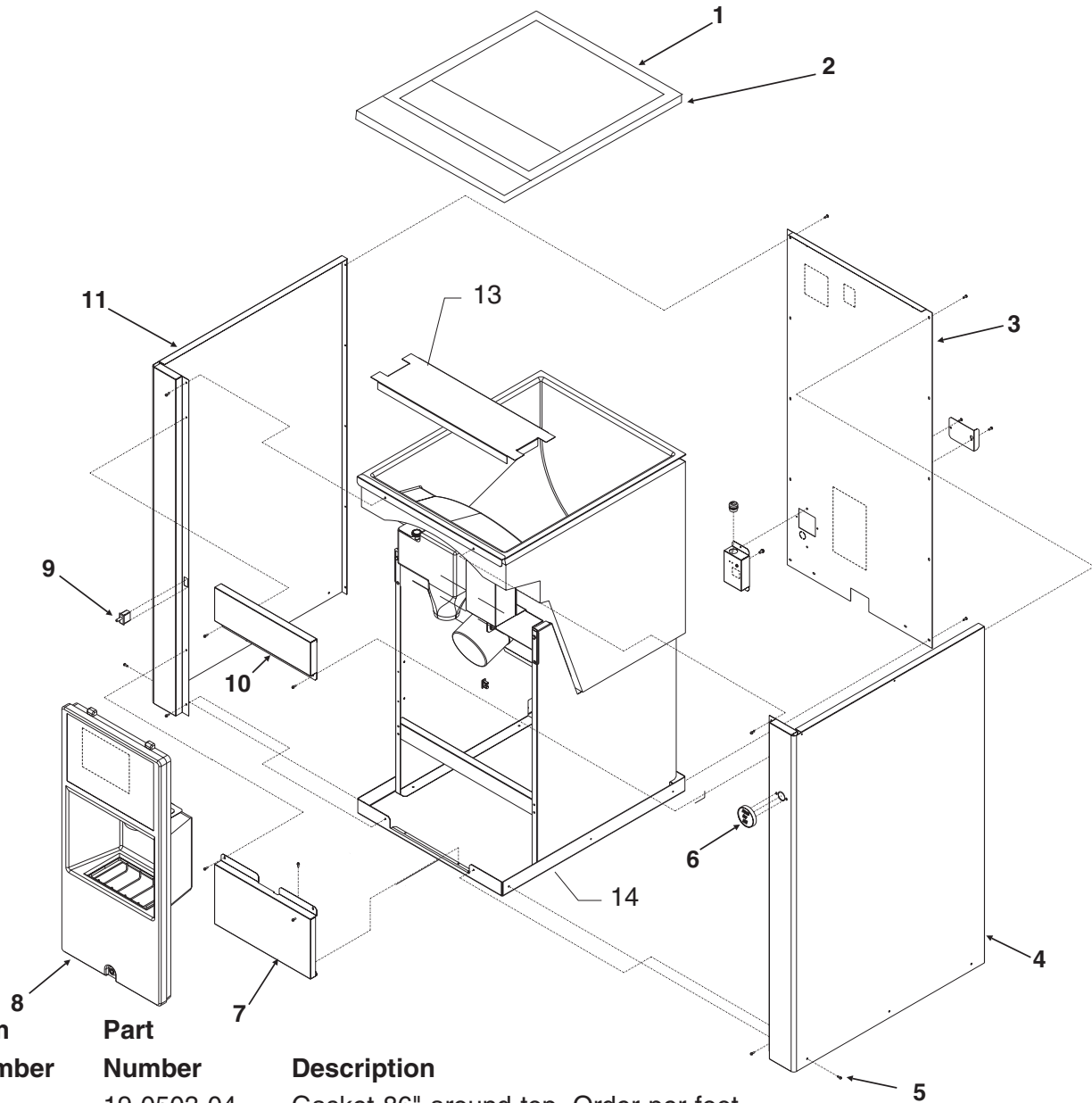
This parts list contains the part numbers for all HD156 Cube Ice Dispensers.

Be sure to check the complete model number before ordering the part.

Table of Contents

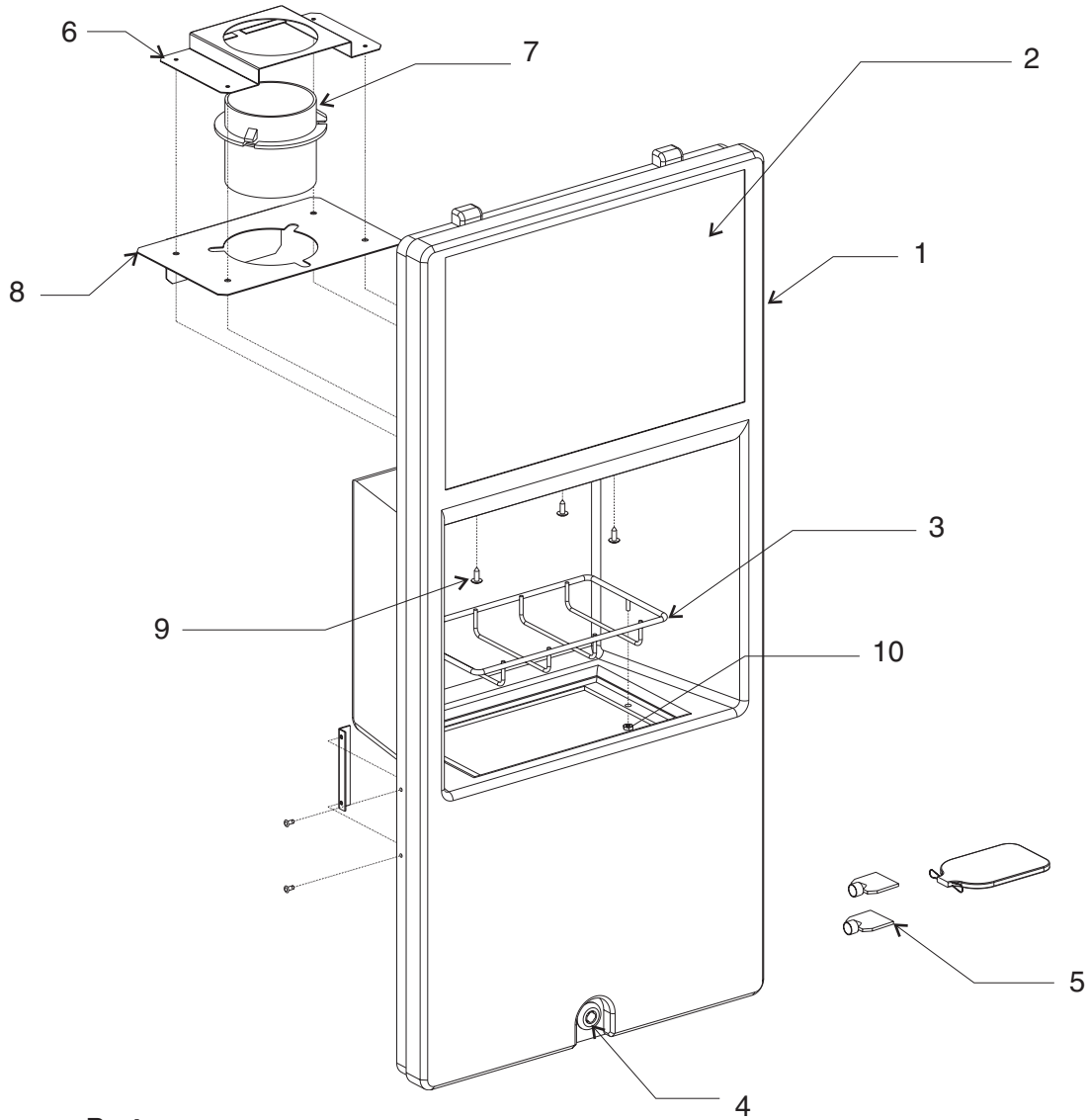
Cabinet Parts	Page 2
Sink Panel	Page 3
Bin Parts	Page 4
Dispensing Mechanism	Page 5
Door and Solenoid	Page 6
Wiring Diagram 115/60/1	Page 7
Wiring Diagram 230/50/1	Page 8

HD156 Cabinet Parts



Item Number	Part Number	Description
1	19-0503-04	Gasket 86" around top. Order per foot.
2	02-3922-01	Bin cover
3	A38080-001	Back panel
4	A38078-001	Right side panel, stainless steel
5	03-1638-03	Screw
6	02-3773-01	Vend switch
7	A38107-001	Bottom panel
8	A38112-001	Sink assembly
9	12-1276-01	Interlock switch
10	A38084-001	Top front panel, stainless steel
11	A38138-001	Left side panel, stainless steel
12	12-2333-01	Step Down Transformer for 50 Hz (not shown)
13	A38156-001	Brace
14	A38077-001	Base

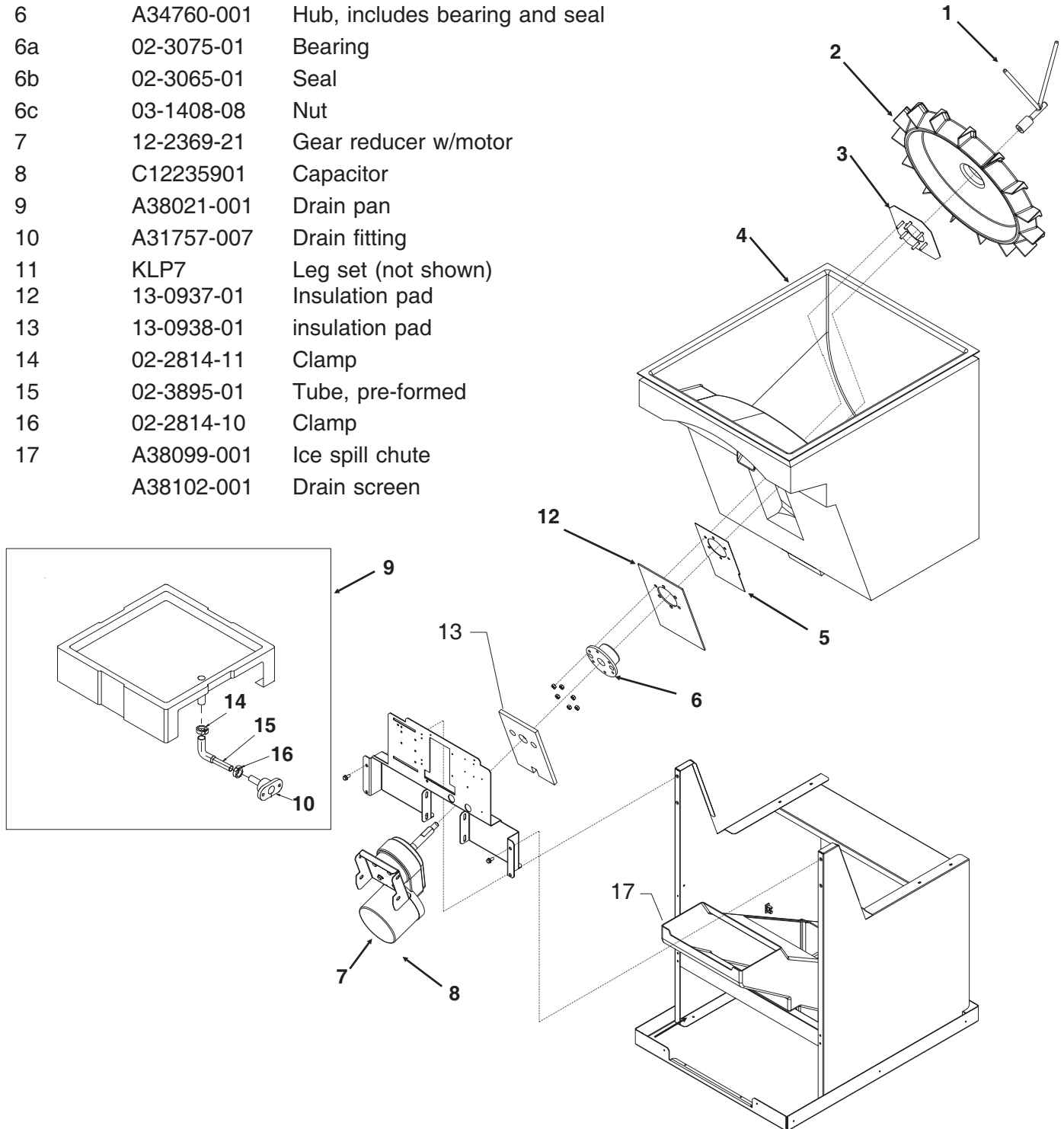
HD156 Sink Panel



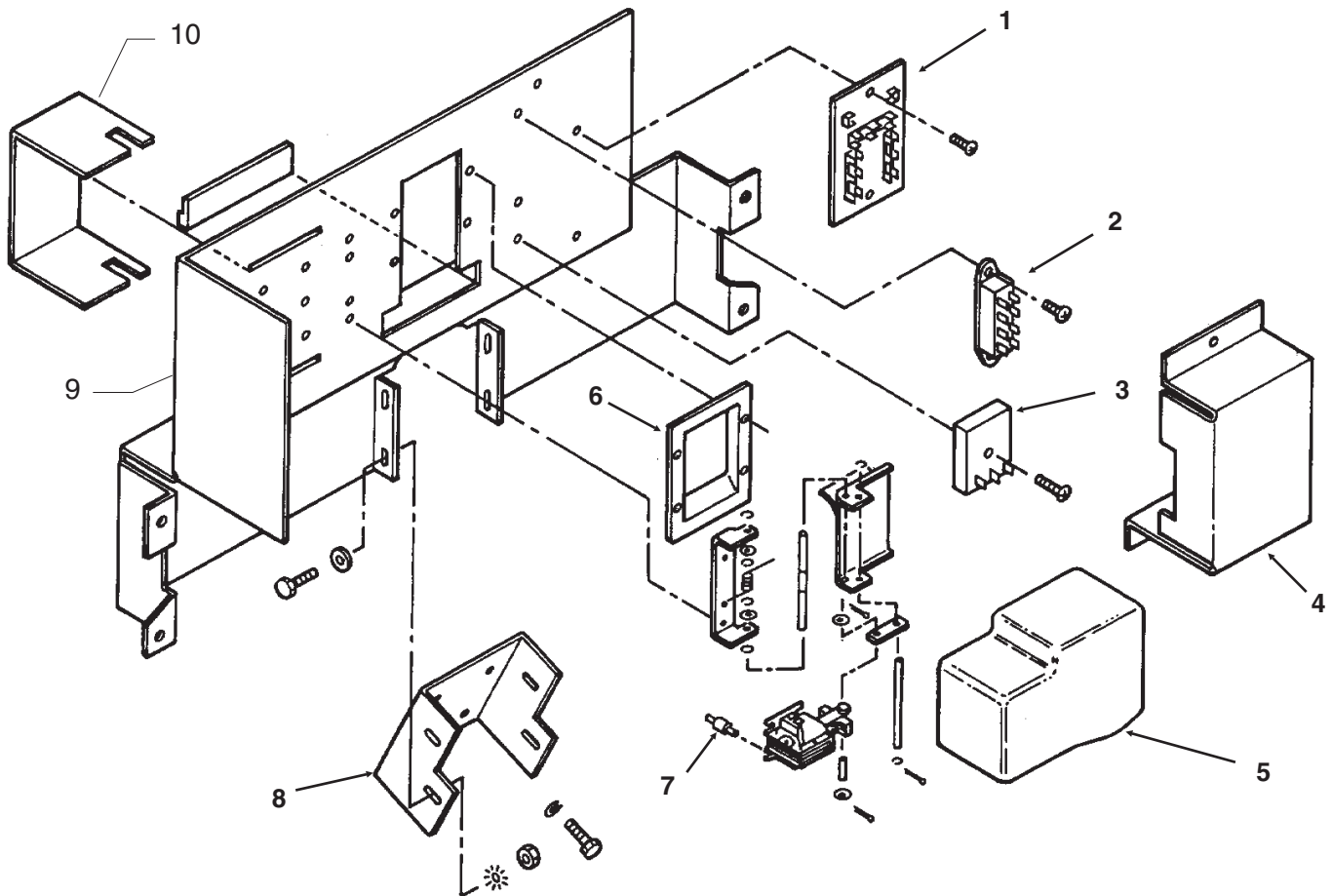
Item Number	Part Number	Description
1	02-3923-01	Sink & panel
2	17-2913-01	Graphic
3	02-3924-01	Grill
4	A35618-001	Lock & Key
5	02-3263-01	Key only
6	A38082-001	Ice chute cover
7	02-3068-05	Ice chute
8	A38081-001	Ice chute support
9	03-3820-01	Screw
10	03-1406-01	Hex nut

HD156 Bin Parts

Item Number	Part Number	Description
1	02-3925-01	Sweep arm
2	02-3040-01	Rotor
3	A38145-001	Plate assembly
4	A38117-001	Bin
5	A34817-001	Gearmotor plate
6	A34760-001	Hub, includes bearing and seal
6a	02-3075-01	Bearing
6b	02-3065-01	Seal
6c	03-1408-08	Nut
7	12-2369-21	Gear reducer w/motor
8	C12235901	Capacitor
9	A38021-001	Drain pan
10	A31757-007	Drain fitting
11	KLP7	Leg set (not shown)
12	13-0937-01	Insulation pad
13	13-0938-01	insulation pad
14	02-2814-11	Clamp
15	02-3895-01	Tube, pre-formed
16	02-2814-10	Clamp
17	A38099-001	Ice spill chute
	A38102-001	Drain screen



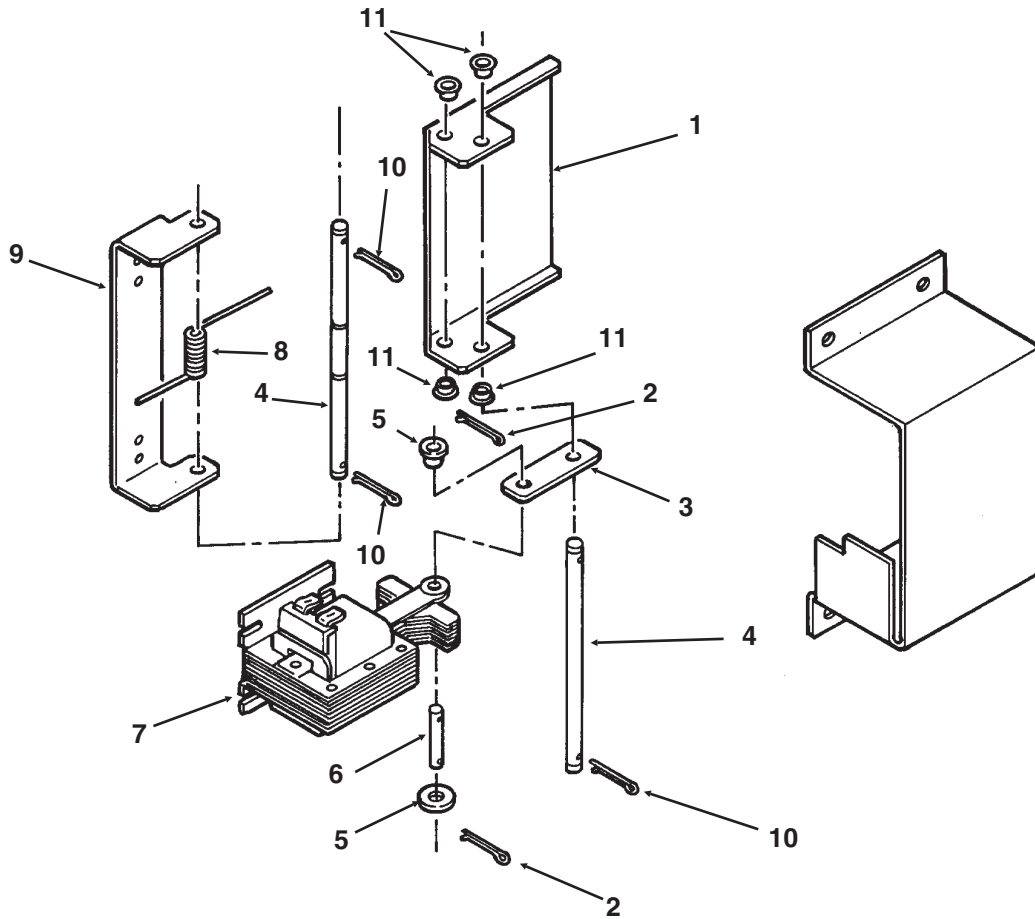
HD156 Dispensing Mechanism



Item Number	Part Number	Description
1	18-2239-00	Terminal Board
2	12-2858-02	Control relay
3	12-2859-01	Timer - 3 seconds on every 2 hours
4	A38093-001	Cover
5	A38087-001	Solenoid cover
	03-3829-01	Thumb screws for cover
6	02-3073-01	Spout adapter
7	13-0882-01	Rubber mounts
8	A38094-001	Gear motor bracket
9	A38092-001	Control panel
10	A38091-001	Ice chute mount

HD156

Door and Solenoid



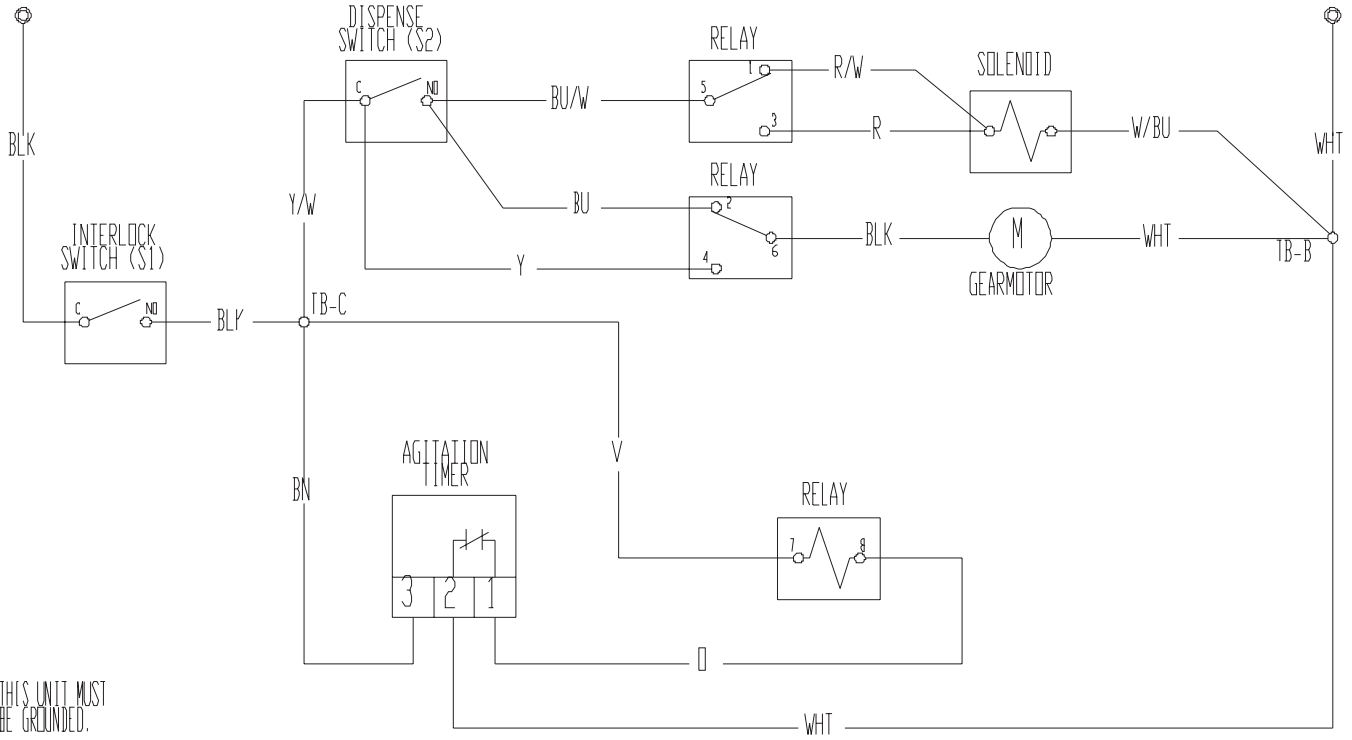
Item Number	Part Number	Description
1	A34801-001	Ice door
2	03-0396-08	Cotter pin
3	A38098-001	Solenoid link
4	02-3088-01	Long axle
5	03-1407-02	Washer
6	A32685-001	Axle, linkage
7	12-2862-01	Solenoid
8	A32690-001	Door spring
9	A34802-001	Door hinge
10	03-0396-08	Cotter pin
11	12-1213-02	Bushing

HD156

Wiring Diagram 115/60/1

17-2912-01

USE COPPER CONDUCTORS ONLY



THIS UNIT MUST BE GROUNDED.

CAUTION:
MORE THAN ONE DISCONNECT MEANS MAY BE REQUIRED TO DISCONNECT ALL POWER TO THIS UNIT.

HD156

Wiring Diagram 230/50/1

