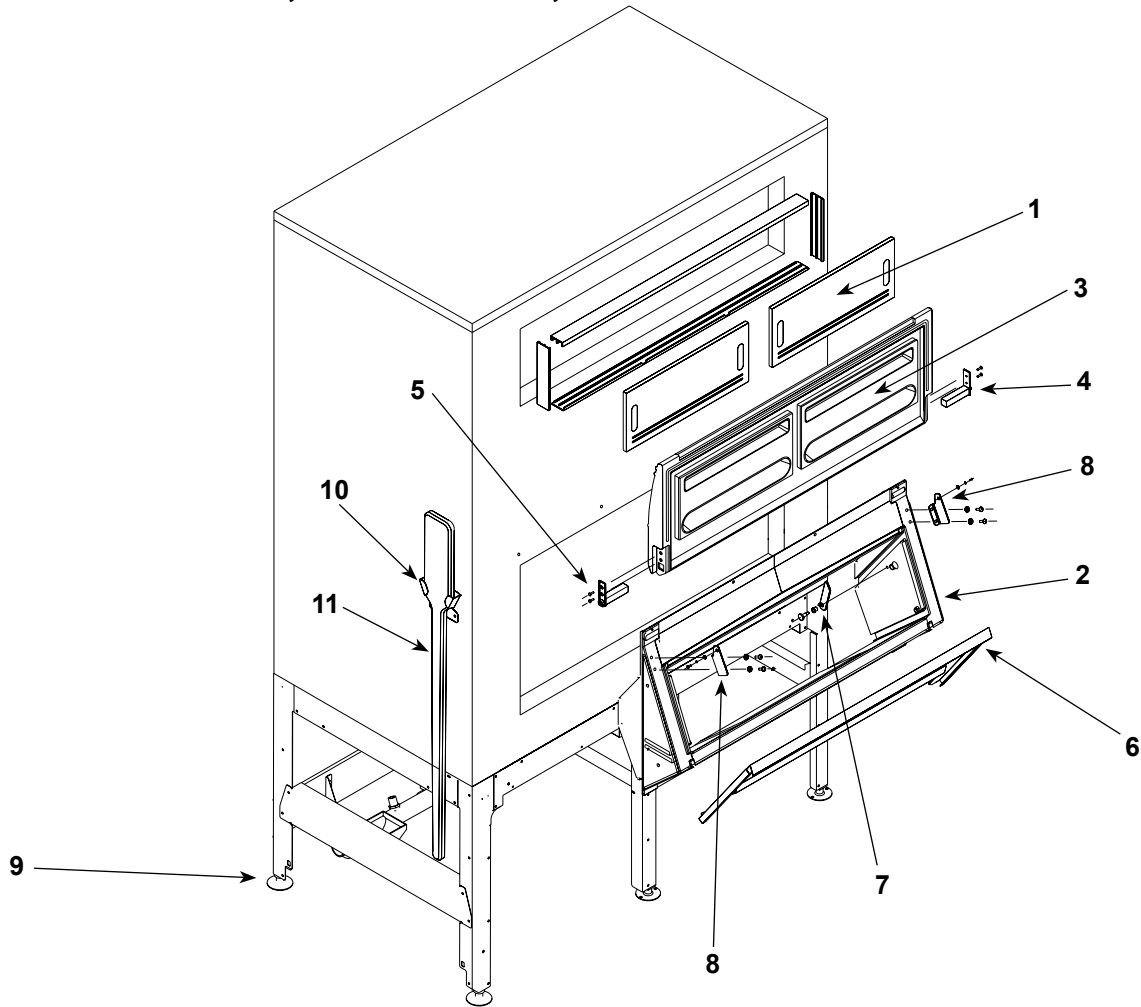


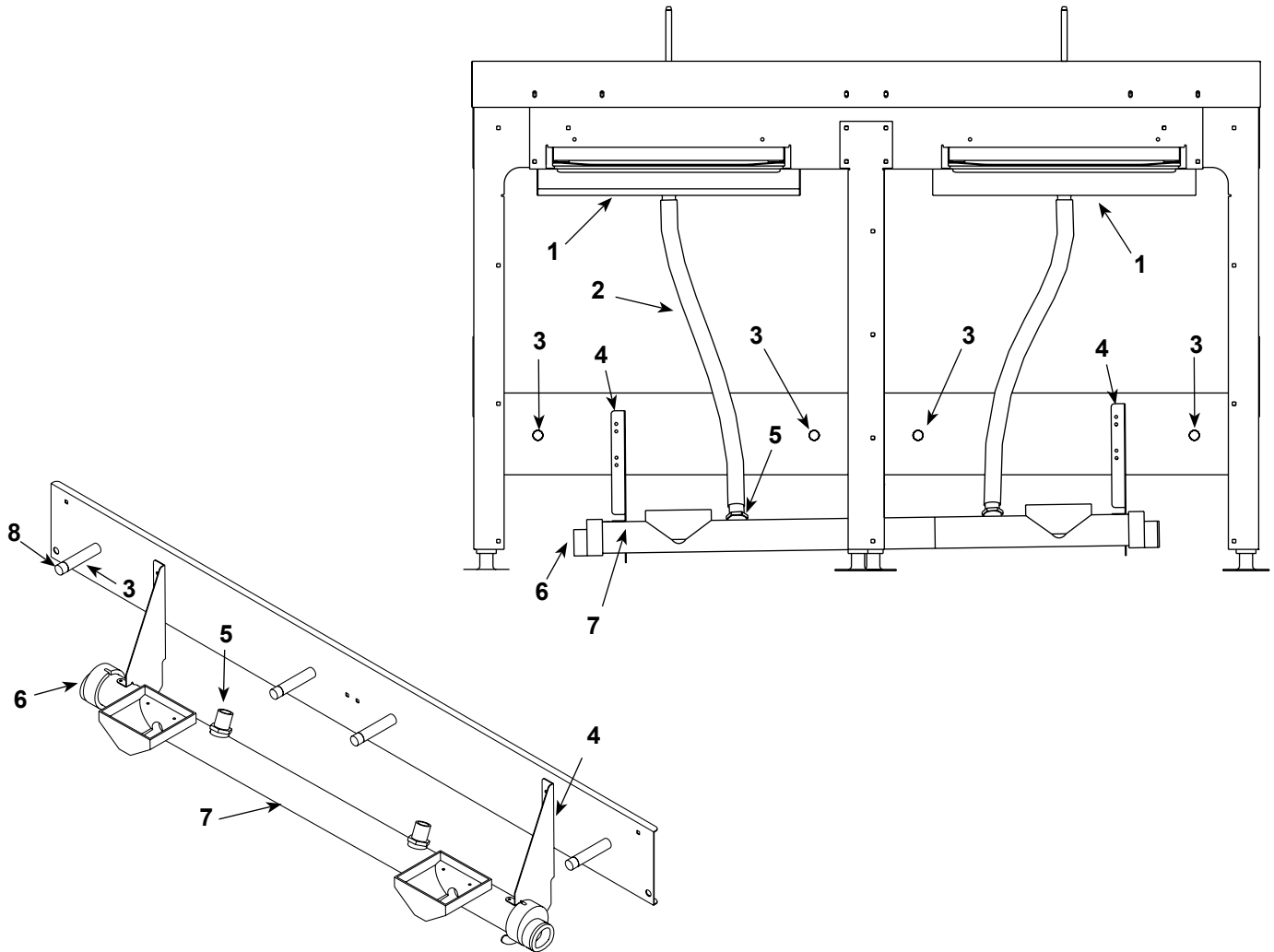
ICS730-A, ICS1360-A, ICS1790-A Service Parts



Item Number	Part Number	Description
1	02-5188-01	(2) Inspection windows, 21.125"W x 8.625"H
1	02-5188-02	(2) Inspection window, 12.5"W x 9"H
2	02-5188-03	Frame assembly, lower door, 45" (includes 02-5188-05 and 02-5188-09)
2	02-5188-04	Frame assembly, lower door, 28" (includes 02-5188-06 and 02-5188-10)
3	02-5188-05	Door, outer lift, 45" (includes 02-5188-07 and 02-5188-08)
3	02-5188-06	Door, outer lift 28" (includes 02-5188-07 and 02-5188-08)
4	02-5188-07	Hinge, RH door mount (includes hardware)
5	02-5188-08	Hinge, LH door mount (includes hardware)
6	02-5189-01	Ice Gate, 40", w/o holes
6	02-5189-02	Ice Gate, 24", w/o holes
7	02-5188-11	Catch, Ice Gate
8	02-5188-12	Hinge bracket, bin mount, LH/RH, (pair, includes hardware)
Not shown	02-5189-03	Strap, hold down
9	02-5189-04	Foot, flanged (1), bolt base
10	02-5188-24	Bracket, ice paddle
11	02-5188-23	Paddle, ice
Not shown	02-5188-17	Shovel, ice
Not shown	02-5188-18	Bracket, ice shovel

ICS730-A, ICS1360-A, ICS1790-A Service Parts

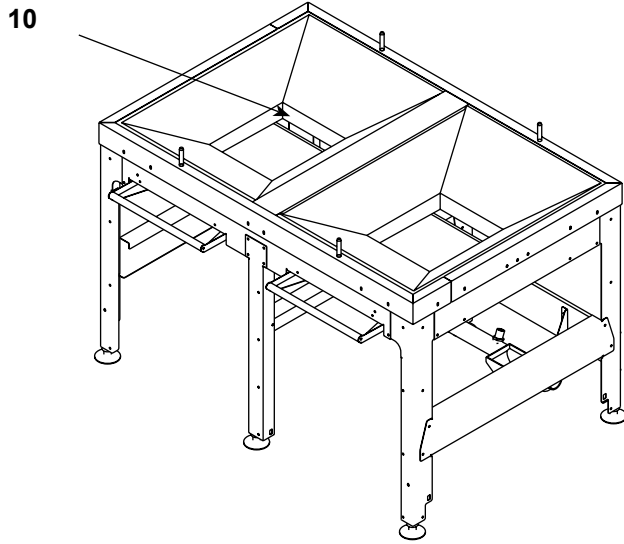
Drain System



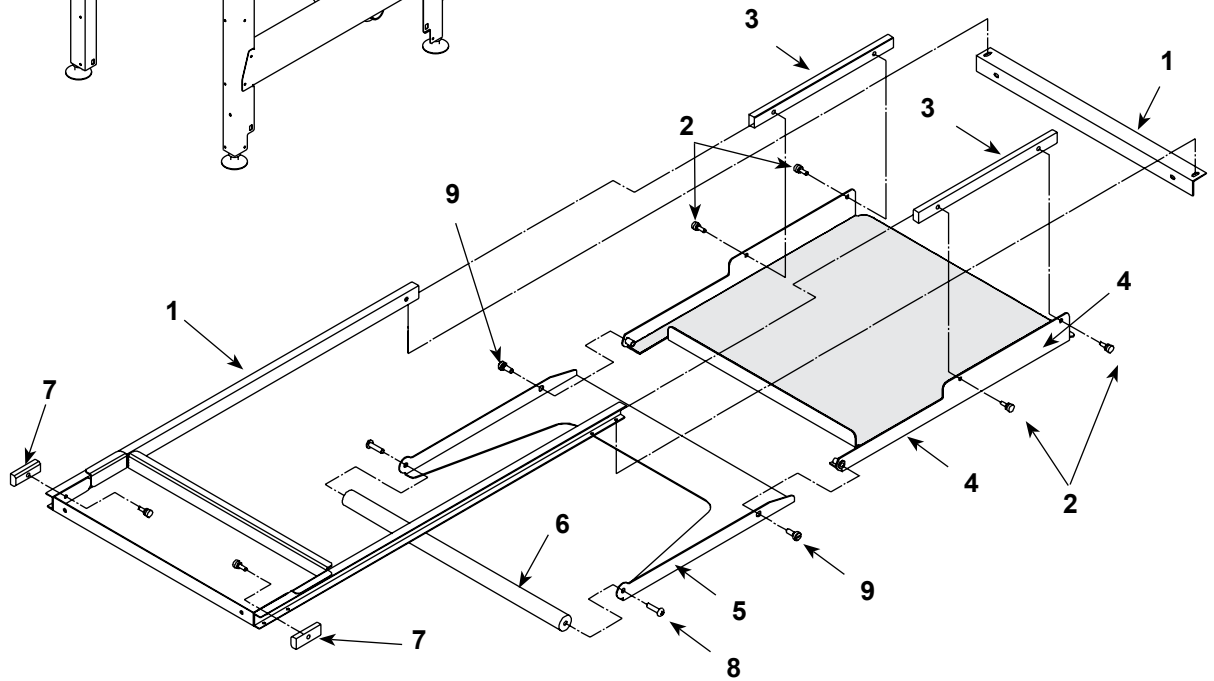
Item Number	Part Number	Description
1	02-5189-05	Drain pan upper – includes (2) 501100
2	02-5189-06	Vertical drain tube
3	02-5189-07	Bumper, and stud – includes 502865
4	02-5189-08	Bracket, lower drain trough
5	02-5189-09	Drain fitting, vertical drain tube to lower trough
6	02-5189-10	End cap, lower drain trough
7	02-5189-11	Drain trough – includes (2) 502852 (single bay – ITS500, ITS700)
7	02-5189-12	Drain trough – includes (2) 502852 (double bay – ITS1350, ITS2250)
7	02-5189-13	Drain trough – includes (2) 502852 (triple bay – ITS1700, ITS3250)
8	02-5189-14	Cap, bumper
9	02-5189-15	1" MPT x 1" barb 90° fitting
10	02-5189-16	Drain assembly

ICS730-A, ICS1360-A, ICS1790-A Service Parts

Multi-Bay Joint Cover

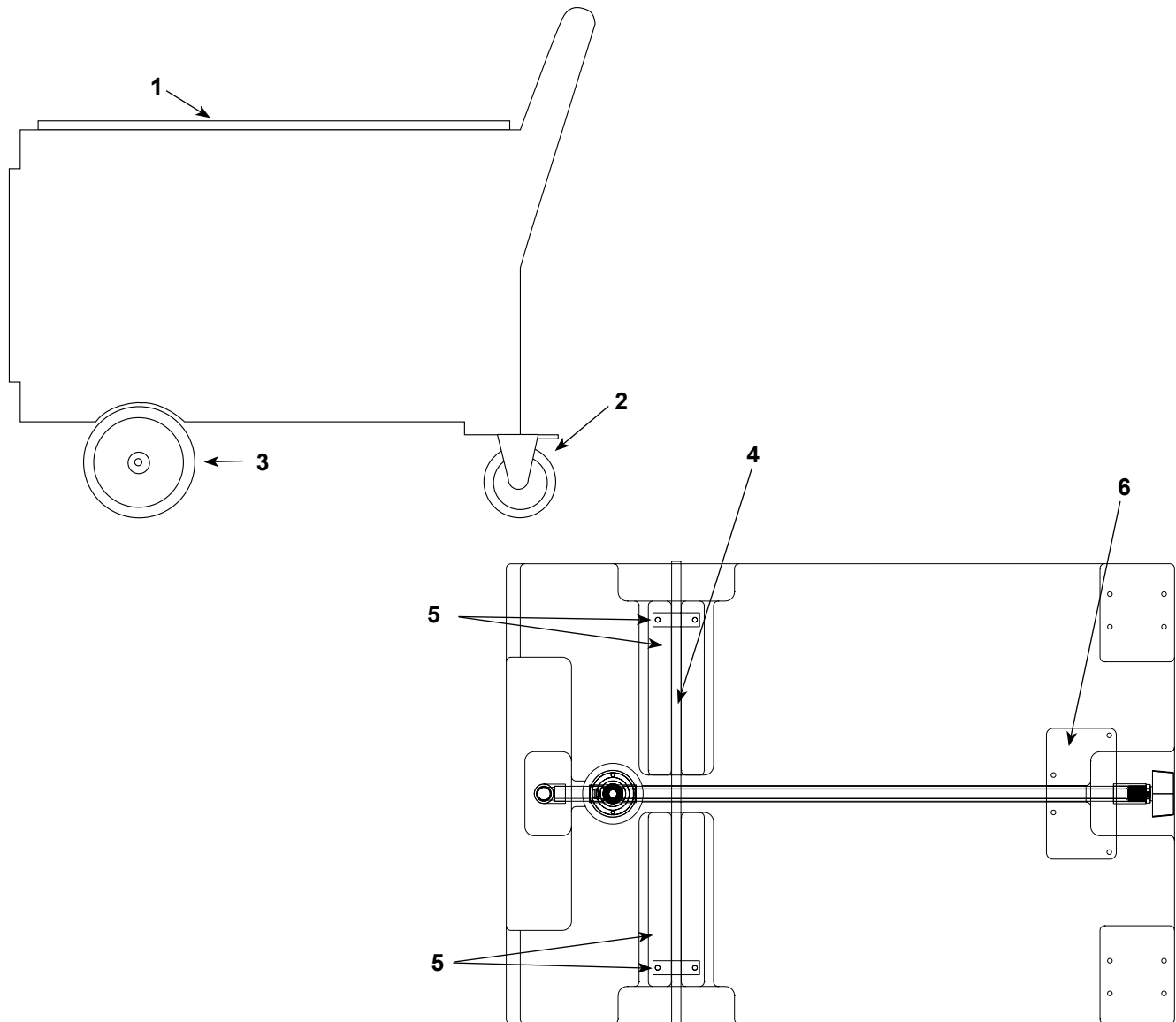


Shutter Door Assembly



Item Number	Part Number	Description
1	02-5189-17	Track, shutter door – includes (2) 502272, (8) 501100
2	02-5189-18	Thumbscrew, 10-32 X 1/2"
3	02-5189-19	Bearings (2), shutter door, nylon 11-7/16" – includes (4) 501100
4	02-5189-20	Shutter door – (includes 502857 and (2) 502272)
5	02-5189-21	Shutter door, handle assembly – includes 502858
6	02-5189-22	Rod handle, shutter door – includes (2)502859
7	02-5189-23	Spacer, bearing – includes 501100
8	02-5189-24	Screw, shutter handle rod
9	02-5189-25	Shoulder screw, handle shutter door
10	02-5189-26	Cover, joint, two and three bay, blue hopper
Not shown	02-5189-27	Ice guide – includes (2) 501100
Not shown	02-5189-28	Bracket, ice guide – includes (2) 501100

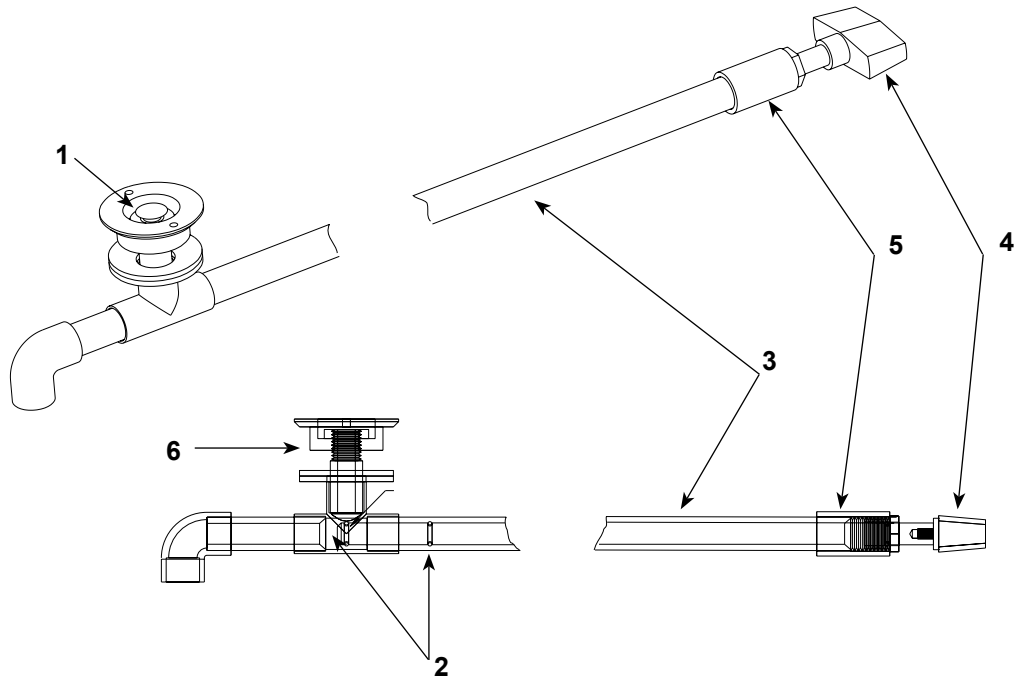
ICS730-A, ICS1360-A, ICS1790-A Service Parts Cart



Item Number	Part Number	Description
1	02-5189-29	Lid
2	02-5189-30	Caster, swivel, locking, (includes mounting bolts & lock washers)
Not shown	02-5189-31	Bushing, 8" wheel, Rhombus
3	02-5189-32	Wheel, 8", fixed (includes 2 cotter pins & 2 washers)
4	02-5189-33	Axle, 24.125" (includes 2 cotter pins & 4 washers)
5	02-5189-34	Strap, axle (2 required per axle)
6	02-5189-35	Plate, drain support
Not shown	02-5189-36	Bracket, lid holder
Not shown	02-5189-37	Ice removal Tote (1)
Not shown	02-5189-38	Handle, Tote
Not shown	02-5189-39	Washer, axle
Not shown	02-5189-40	Cotter pin

ICS730-A, ICS1360-A, ICS1790-A Service Parts

Cart Drain



Item Number	Part Number	Description
All	02-5189-41	Drain assembly (includes entire assembly shown)
1	02-5189-42	Vent plug
2	02-5189-43	O-ring, drain assembly
3	02-5189-44	Rod, drain (includes 502061 plate drain support)
4	02-5189-45	Knob, drain
5	02-5189-46	Retaining bushing
6	02-5189-47	Fitting, drain assembly