



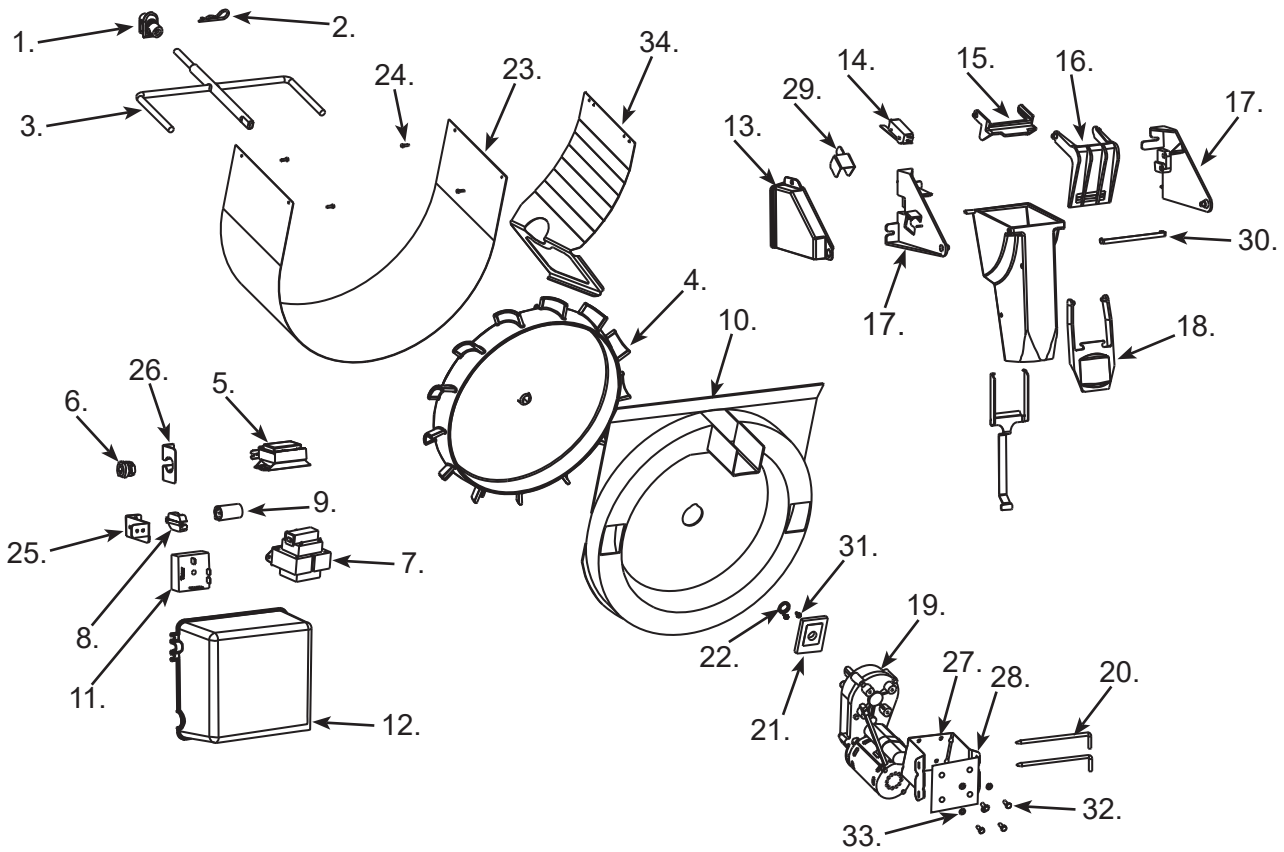
IOD Series Ice Dispenser Parts List for Models

Contents

IOD-150/200/250 Bin, Drive Train, Ice Chute, & Electrical Components	1
IOD-150/200/250 Merchandiser, Caps Lid, Splash Panels, & Base	2
IOD-150/200/250 Panels & Trim	3

IOD Series Ice Dispenser Parts List

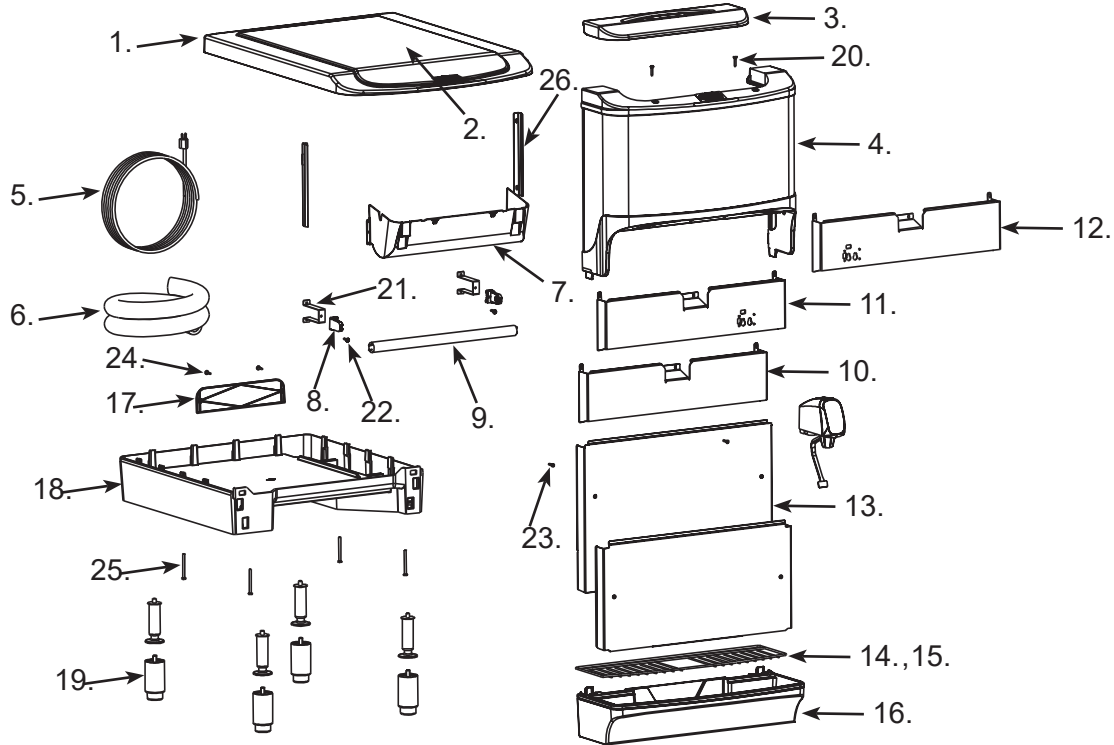
IOD-150/200/250 Bin, Drive Train, Ice Chute, & Electrical Components



Item Number	Part Number	Description
1.	02-5234-80	Mushroom Bushing
Injection Molded		
2.	02-5234-89	Clip Hitch Pin
3.	02-5234-86	Agitator
4.	02-5234-81	Paddle Wheel Plastic Dbl D
5.	02-5234-34	Ballast 115V/60Hz.
6.	Cord Strain Relief	
6a	02-5234-13	Standard
6b	02-5234-21	European
7.	02-5234-28	Transformer - 240V w/ Breaker
8.	02-5234-88	Starter Base.
9.	02-5234-12	Starter Lev FS2.
10.	Paddle Wheel Area	
10a	02-5234-53	S-200/250
11.	02-5234-72	Non-adjustable Agitation Timer
- 115V/230V. Not included with IOBD 150 optional.		
12.	02-5234-55	Electrical Box Cover
13.	02-5234-58	Microswitch Guard.
14.	02-5234-10	Microswitch
15.	02-5234-24	Lock Rocking Chute Door
16.	02-5234-24	Door Rocking Chute
17.	02-5234-90	Kit RC Brackets 5V-A (Includes The Two New Brackets, Cover, Screw)
18.	02-5234-26	Lever Rocking Chute Narrow
19.	Front Serviceable Motor	
19a	02-5234-91	115V
19b	02-5234-84	220V/240V Double D Shaft
20.	02-5234-16	Retaining Pins
21.	02-5234-20	Gasket (9.75) Retainer Seal
22.	02-5234-49	Seal Motor Shaft
23.	Bin Liner	
23a	02-5234-69	S-150
Miscellaneous - Brackets, Screw, etc.		
24.	02-5234-19	Screw 8-32 X 1/2" Knurl Un-slotted.
25.	02-5234-61	Starter Base Bracket- 150/200/250.
26.	02-5234-56	Bracket Strain Relief- S-150/200/250
27.	Mount Motor	
27a	02-5234-66	S-150/200
28.	02-5234-62	Mount Motor Plate. S-250 Only
29.	02-5234-60	Bracket Ret Microswitch Spl Gd
30.	02-5234-68	Bracket Rocking Chute Outer
31.	02-5234-05	Screw #8-32 X 3/8 Lg Sltd Hex.
32.	02-5234-07	Bolt 1/4-20 x 5/8" Ss Hhcs.
33.	02-5234-08	Washer Lock 1/4in Ss
34.	02-5234-63	Bin Liner Support (S-250 Only).

IOD Series Ice Dispenser Parts List

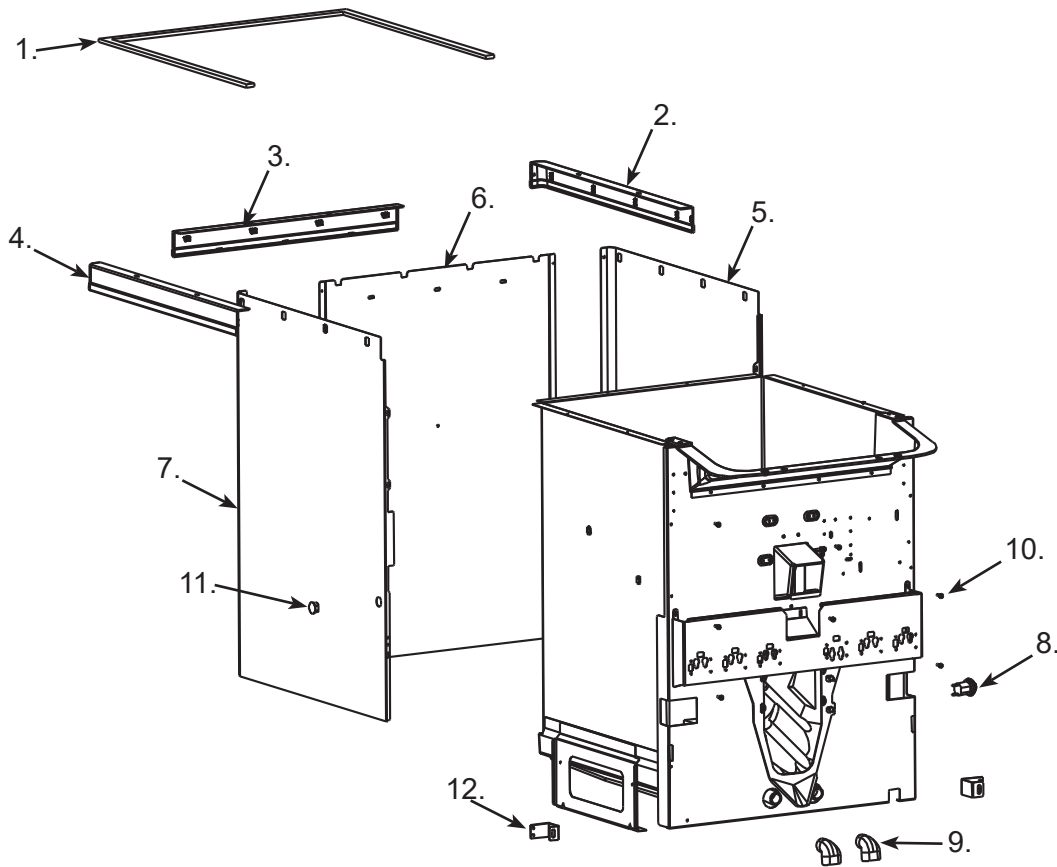
IOD-150/200/250 Merchandiser, Caps Lid, Splash Panels, & Base



Item Number	Part Number	Description
1.	Lid	
1a	02-5234-44	S-150
1b	02-5234-45	S-200/250
2.	02-5234-04	Sticker "danger Tag".
3.	02-5234-39	Manual Fill Ice Lid (Black)
4.	Merchandiser Complete	
4a	02-5234-40	S-150
4b	02-5234-41	S-200
5.	02-5234-33	Cord Electric (Agit Mtr)
6.	Drain Kit	
6a	02-5234-15	Regular
7.	02-5234-59	Manual Fill Area Lower.
8.	02-5234-11	Socket End Light.
9.	Fluorescent Tube	
9a	02-5234-09	S-150 (18")
9b	02-5234-48	S-200/250 (24")
10.	Cap Valve Mount	
10a	02-5234-73	S-150
11.	Cap Valve Mount w/Right Water (Ice Only)	
11a	02-5234-74	S-150
11b	02-5234-64	S-200/250 with 424 Valves
12.	Cap Valve Mount w/Left Water (Ice Only)	
12a	02-5234-67	S-200/250 with 424 Valves
13.	Panel Splash Ext	
14.	Grid	
14a	02-5234-46	S-150
14b	02-5234-47	S-200/250
15.	Reduced Spacing Grid	
15a	02-5234-87	S-200
15b	02-5234-71	S-250
16.	Drainpan	
16a	02-5234-71	S-150 (23") w/ Gasket
17.	Plate Base Rear Cover	
17a	02-5234-77	S-200/250
18.	Base	
18a	02-5234-76	S-200/250
19.	02-5234-75	Leg 2"Dia X 4-6" W/ 3/8-16 Stud
	Miscellaneous - Brackets, Screw, Etc.	
20.	02-5234-30	Scr 8-32 X 7/8" Slit Knurl Black
21.	02-5234-70	Bracket Lt Socket
22.	02-5234-06	8-32 X 1/2 Flat Head Screw
23.	02-5234-50	8-32 X 1/2 Flat Head Screw
24.	02-5234-29	Scr #8x3/4"Ph Tr Hd A Blk
25.	02-5234-52	12 X 2 1/2 Pan Head Screw
26.	02-5234-65	Medalion Support Bracket

IOD Series Ice Dispenser Parts List

IOD-150/200/250 Panels & Trim



Item Number Part Number Description

1.		Gasket (Rectangular Profile)
1a	02-5234-31	S-150
2.	02-5234-37	Trim Cosmetic Top Right (Black)
3.		Trim Cosmetic Top Back
3a	02-5234-43	S-150
3b	02-5234-42	S-200/250
4.	02-5234-36	Trim Cosmetic Top Left (Black)
5.		Panel Side Right
5a	02-5234-82	S-200/250
6.		Panel Rear
6a	02-5234-78	S-200/250
7.		Panel Side Left
7a	02-5234-79	S-150
7b	02-5234-83	S-200/250
8.	02-5234-17	Key Switch
9.	02-5234-35	Elbow 90 Degree Rubber.
Miscellaneous - Brackets, Screw, Etc.		
10.	02-5234-38	Screw 8-32 X 1/2
11.		Heyco Plug
11a	02-5234-14	S-200/250
12.	02-5234-54	Clip Splash Panel