

# NM650 SERVICE PARTS

This parts list contains the service parts and wiring diagrams for this model. Check the model number in question to be sure that it is applicable to this parts list.

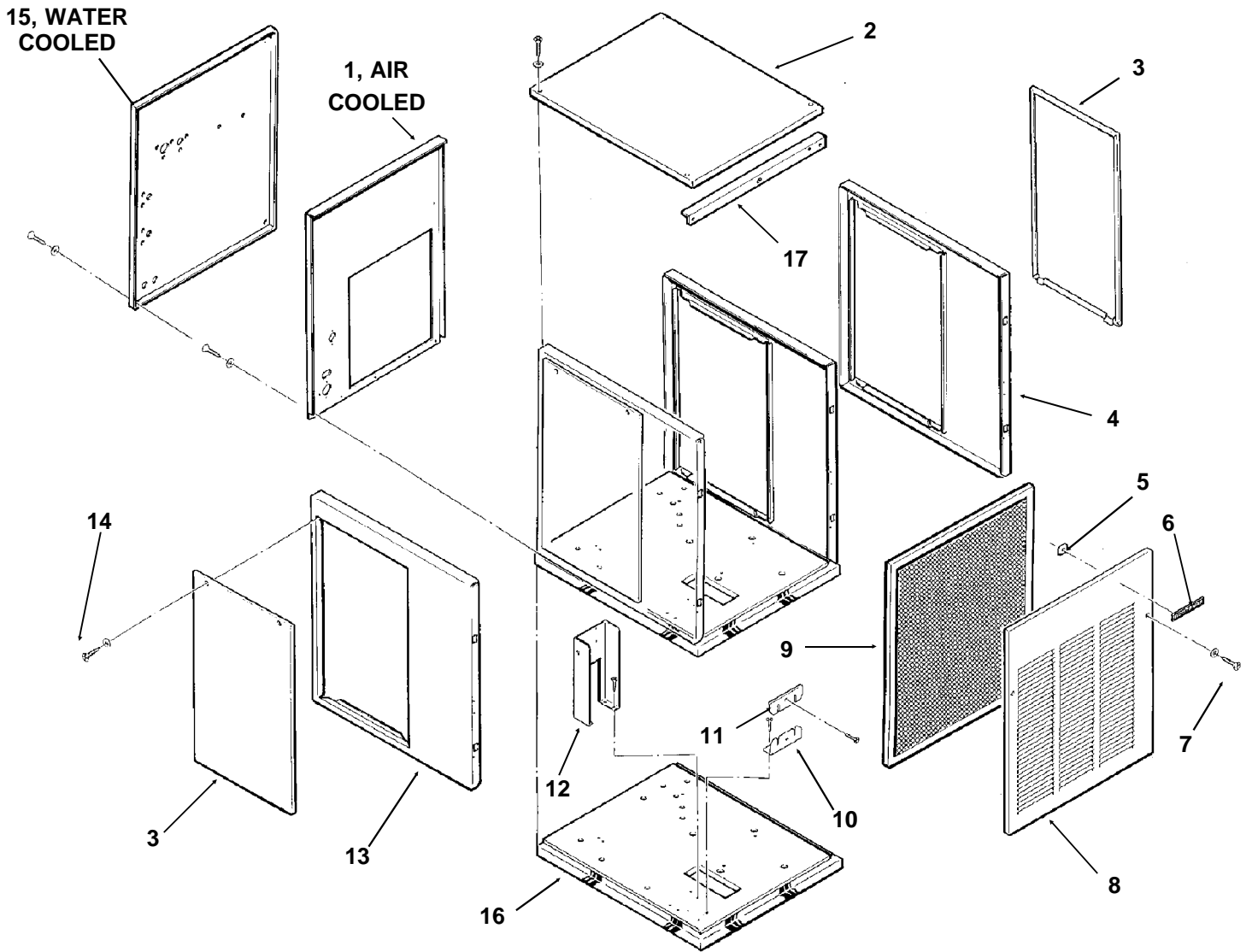
Caution: This model ice maker has been manufactured in two voltages, for electrical components, check to be certain that the part is the correct voltage for the machine.

## TABLE OF CONTENTS

Cabinet.....	2
Air Cooled Refrigeration .....	3
Water Cooled Refrigeration .....	4
Water System .....	5
Gearmotor .....	6
Evaporator.....	7
Control Box .....	8
Wiring Diagrams .....	9
Product Update .....	12

# NM650 SERVICE PARTS

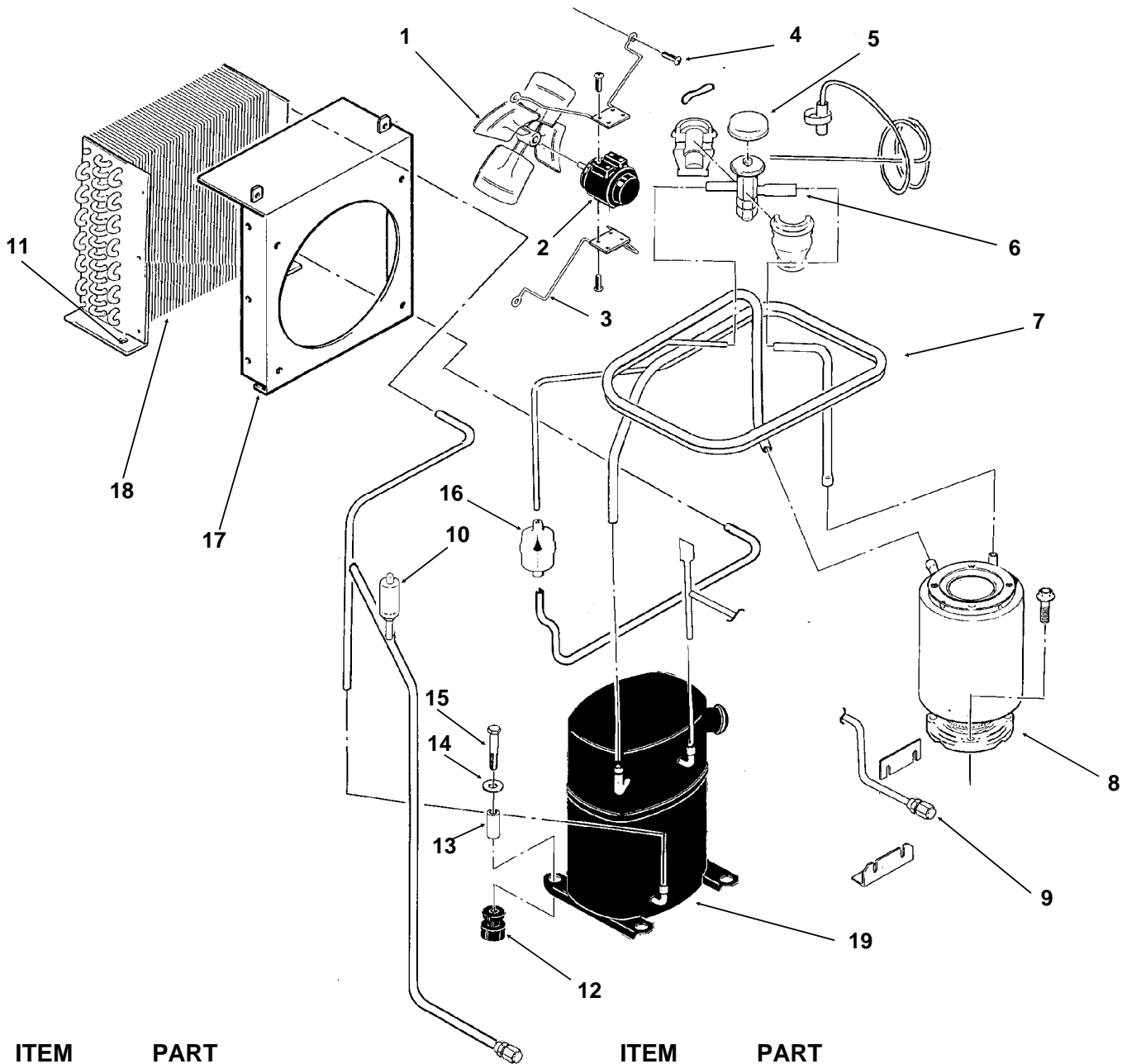
## Cabinet Assembly



ITEM NUMBER	PART NUMBER	DESCRIPTION	ITEM NUMBER	PART NUMBER	DESCRIPTION
1	A34544-001	Back Panel, Air Cooled	9	02-2976-01	Air Filter
2	A33256-001	Top Panel, Painted	10	A31462-001	Tube Bracket
	A33256-002	Top Panel, S.S.	11	A31461-001	Tube Bracket
3	A34038-001	Service Panel, Painted	12	A34039-001	Control Box Support
	A34038-002	Service Panel, S.S.	13	A32435-001	Left Side Panel, Painted
4	A33292-001	Right Side Panel, Painted		A32435-002	Left Side Panel, S.S.
	A33292-002	Right Side Panel, S.S.	14	03-1404-12	Screw
5	03-0271-00	Speed Clip	15	A33252-001	Rear Panel, Water Cooled Painted Only
6	15-0711-01	Emblem			
7	03-1419-08	Screw			
8	A33255-001	Front Panel, Painted	16.	A34042-001	Base
	A33255-002	Front Panel, S.S.	17	A34348-001	Front Brace, Air Cooled

# NM650 SERVICE PARTS

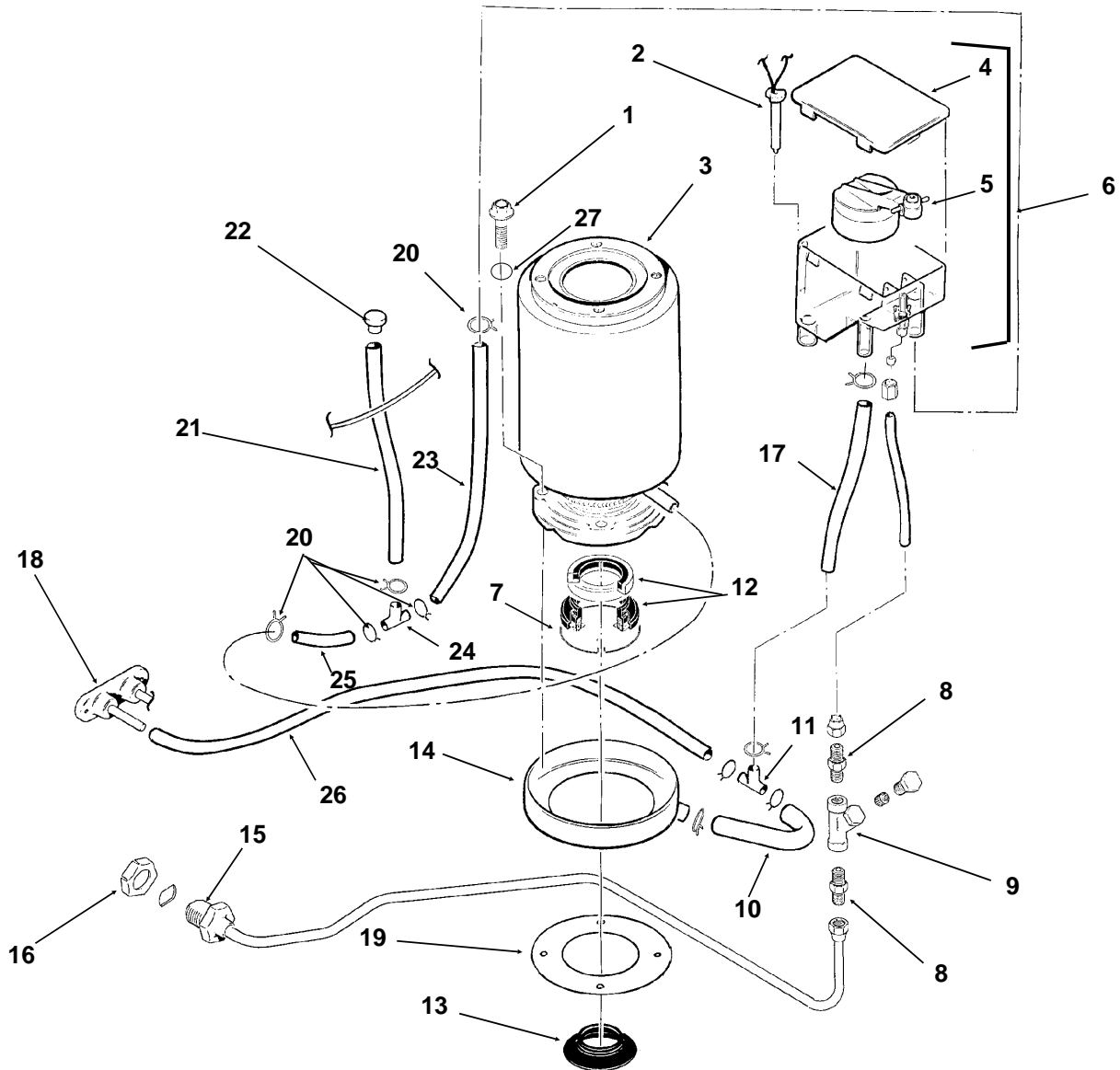
## Air Cooled Refrigeration



ITEM NUMBER	PART NUMBER	DESCRIPTION	ITEM NUMBER	PART NUMBER	DESCRIPTION
1	18-3815-01	Fan Blade	12	18-2200-28	Grommet
2	12-1576-02	Fan Motor 208-230 v	13	18-2200-27	Sleeve
	12-1576-01	Fan Motor 115 v	14	03-1407-07	Washer
3	02-2378-01	Fan Bracket	15	03-1405-20	Cap Screw
4	03-1531-01	Screw	16	02-3319-02	Dryer
5	A32961-020	Insulation Kit (3 piece)	17	A34618-001	Fan Shroud
6	16-0780-21	Thermo Expansion Valve		A34617-001	Fan shroud cover
7	A34536-001	Suction Line	18	18-7800-01	Condenser
8	A33194-020	Evaporator	19	18-6100-02	Compressor 208-230 v
9	16-0560-00	Valve Core		18-6100-51	Overload for 208-230 v
	16-0563-00	Valve Cap		18-6100-01	Compressor 115 v
10	11-0446-22	Hi Pressure Cut Out		18-6100-50	Overload for 115 v
11	03-1645-01	Screw			



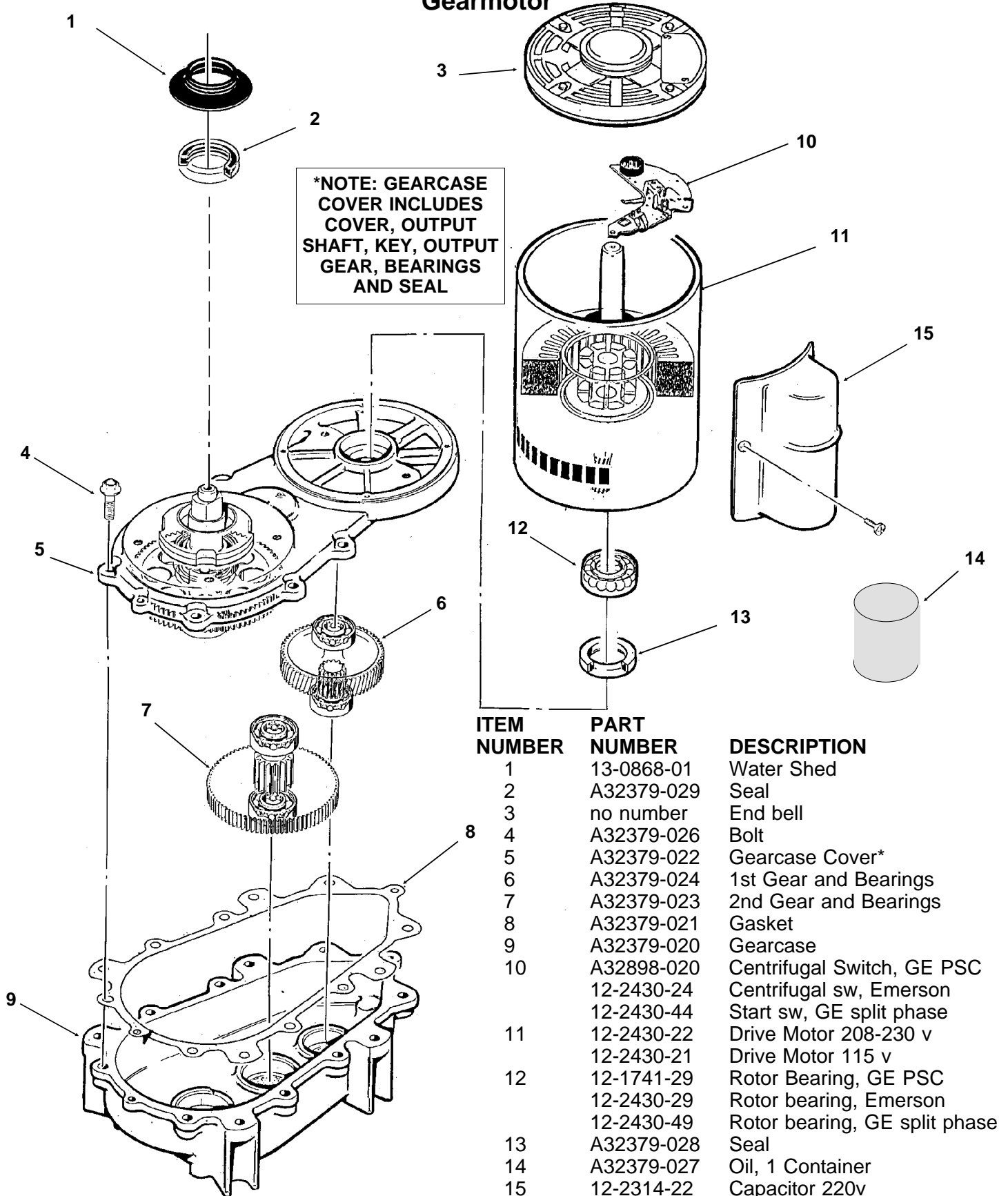
# NM650 SERVICE PARTS Water System



ITEM NUMBER	PART NUMBER	DESCRIPTION	ITEM NUMBER	PART NUMBER	DESCRIPTION
1	03-1420-03	Cap Screw	14	A32050-001	Drip Pan
2	A33101-021	Water Level Sensor	15	A27318-001	Water Inlet Fitting
3	A33194-020	Evaporator	16	03-1394-01	Pal Nut
4	02-2936-01	Res. Cover	17	13-0079-03	Res. Overflow, 8" req.
5	A32907-001	Float Assembly with pin housing seal, rubber seal, insert & float	18	A32282-004	Drain Casting, air cooled
6	A32929-020	Reservoir Assy Complete	19	13-0704-00	Gasket
7	A32777-001	Retaining Ring for seal	20	02-2814-08	Clamps
8	16-0791-01	Half Union	21	13-0674-06	Evap. Drain, 14" req.
9	16-0162-00	Strainer	22	A33205-001	Plug
10	13-0079-03	Tube, 3.2" req.	23	13-0674-06	Evap. Inlet Tube, 5" req.
11	16-0670-02	Tee	24	16-0670-01	Tee
12	02-0929-23	Water Seal	25	A33203-001	Tube, Preformed
13	13-0868-01	Water Shed	26	13-0079-03	Drain Tube, 24" req.
			27.	03-1417-13	Lockwasher

# NM650 SERVICE PARTS

## Gearmotor

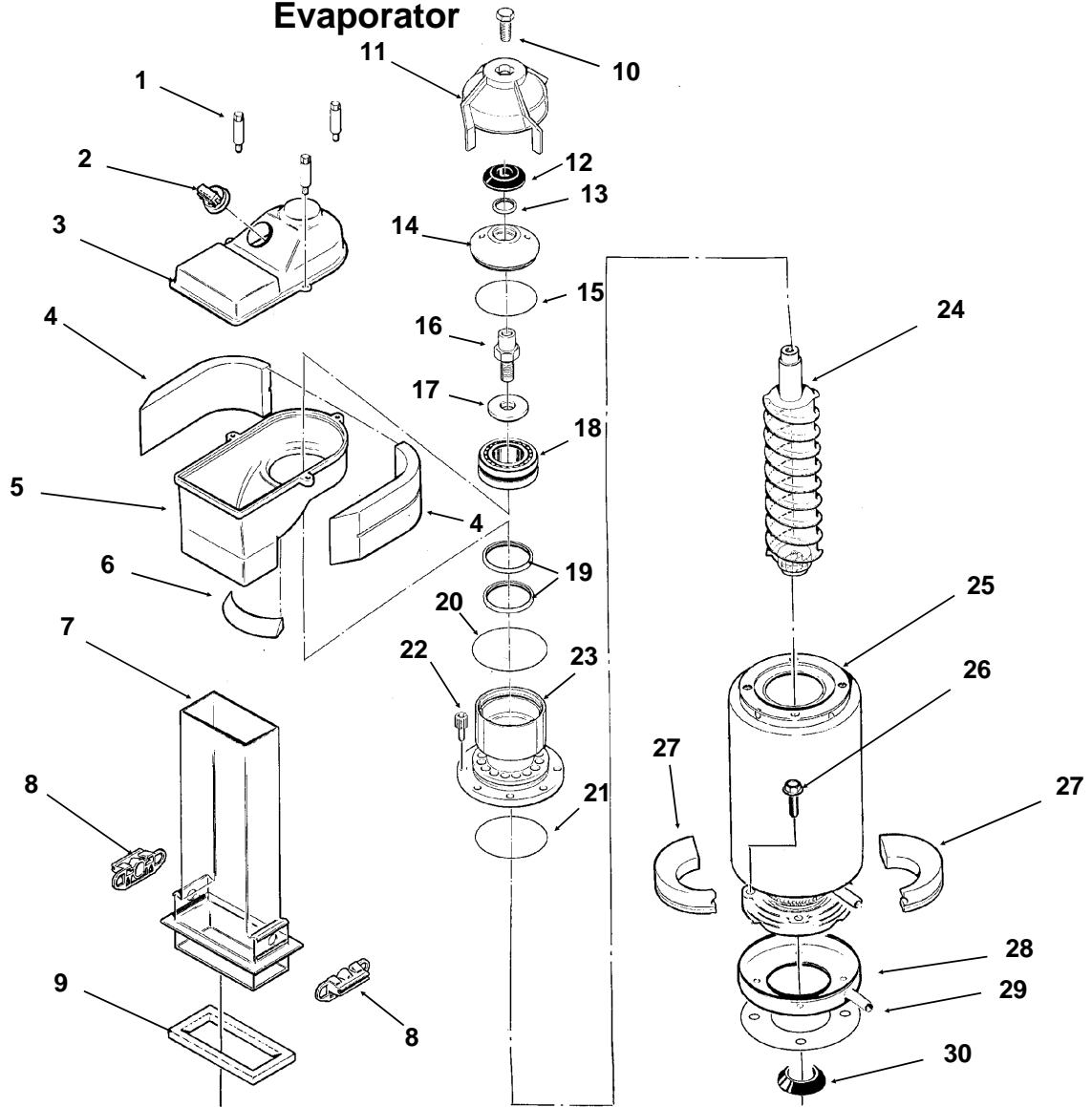


**\*NOTE: GEARCASE COVER INCLUDES COVER, OUTPUT SHAFT, KEY, OUTPUT GEAR, BEARINGS AND SEAL**

ITEM NUMBER	PART NUMBER	DESCRIPTION
1	13-0868-01	Water Shed
2	A32379-029	Seal
3	no number	End bell
4	A32379-026	Bolt
5	A32379-022	Gearcase Cover*
6	A32379-024	1st Gear and Bearings
7	A32379-023	2nd Gear and Bearings
8	A32379-021	Gasket
9	A32379-020	Gearcase
10	A32898-020	Centrifugal Switch, GE PSC
	12-2430-24	Centrifugal sw, Emerson
	12-2430-44	Start sw, GE split phase
11	12-2430-22	Drive Motor 208-230 v
	12-2430-21	Drive Motor 115 v
12	12-1741-29	Rotor Bearing, GE PSC
	12-2430-29	Rotor bearing, Emerson
	12-2430-49	Rotor bearing, GE split phase
13	A32379-028	Seal
14	A32379-027	Oil, 1 Container
15	12-2314-22	Capacitor 220v
16	A33220-022	Complete Assy 208-230 v
	A33220-021	Complete Assy 115 v
	A33220-030	Gears, oil & cases. No motor.

# NM650 SERVICE PARTS

## Evaporator



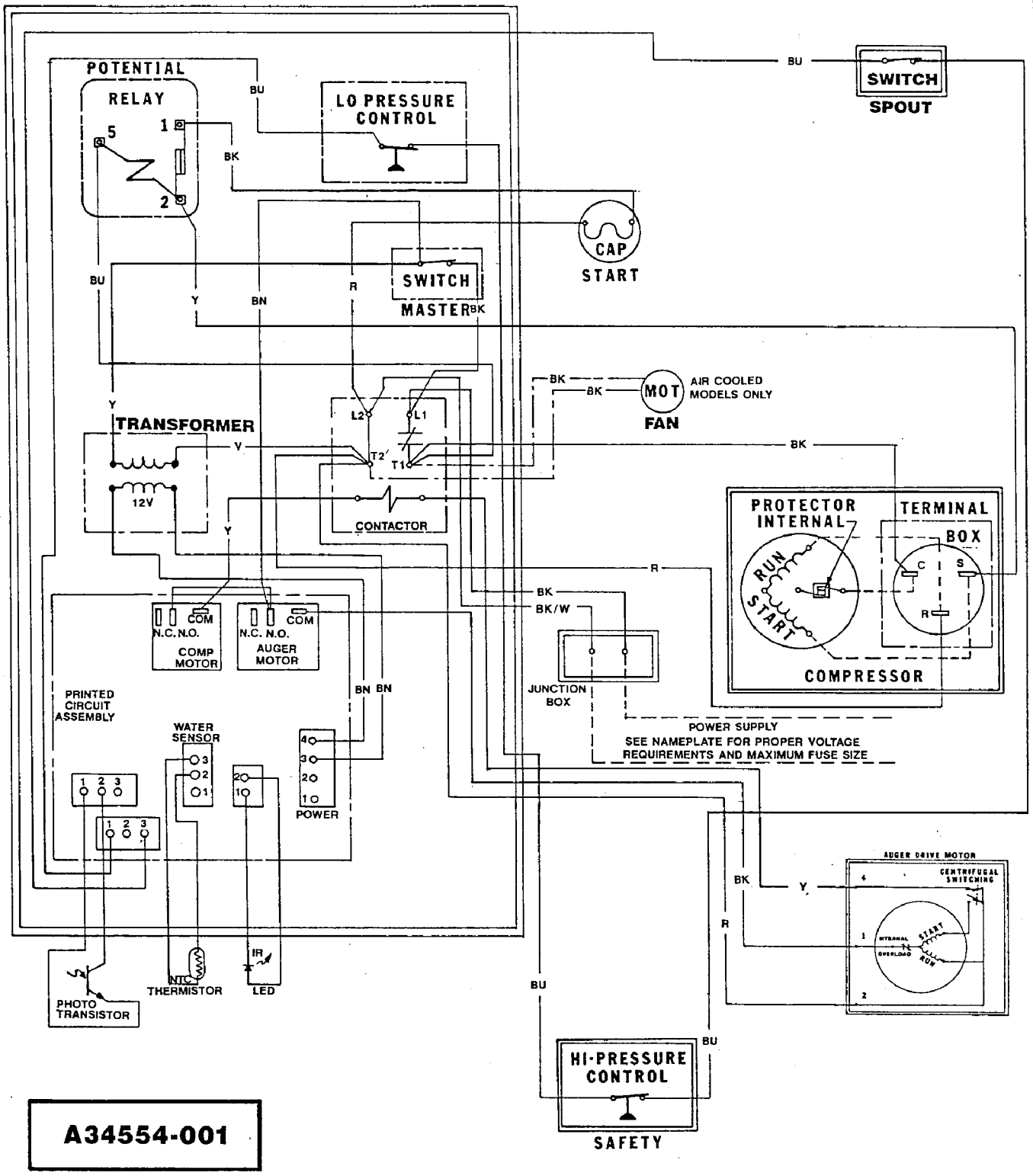
ITEM NUMBER	PART NUMBER	DESCRIPTION
1.	02-2933-01	Hex Stud
2.	A32891-020	Switch & housing assy
3.	02-2930-01	Ice Chute Cover
4.	A32963-001	Insulation Top (half)
5.	02-2926-01	Ice Chute Body
6.	A33102-001	Insulation Collar Inside
	A33210-001	Rubber Band
7.	02-2929-03	Ice Chute Lower
8.	A37708-021	Bin Controls Assy. (set of 2)
9.	A32930-001	Chute Gasket
10.	03-1405-52	Hex Cap Screw
11.	02-3001-01	Ice Sweep
12.	13-0871-01	Water Shed
13.	02-2978-01	Lip Seal
14.	02-3128-20	Breaker Cover
15.	13-0617-54	O-Ring
	16.	08-0660-01 Auger Stud
	17.	part of item 16 Thrust Washer
	18.	A34559-020 Bearing
	19.	02-2977-01 Lip Seal
	20.	13-0617-52 O-Ring
	21.	13-0617-45 O-Ring
	22.	03-1544-08 Soc. Head Screw
	23.	A32900-020 Breaker (includes 18 & 19)
	24.	A38071-021 Auger
	25.	A33194-020 Evaporator
	26.	03-1405-41 Cap Screw
	27.	A32962-001 Insulation Bot. (half)
		A32962-002 Insulation half
	28.	A32050-001 Drip Pan
	29.	13-0704-00 Drip Pan Gasket
	30.	13-0868-01 Water Shed





# NM650 SERVICE PARTS

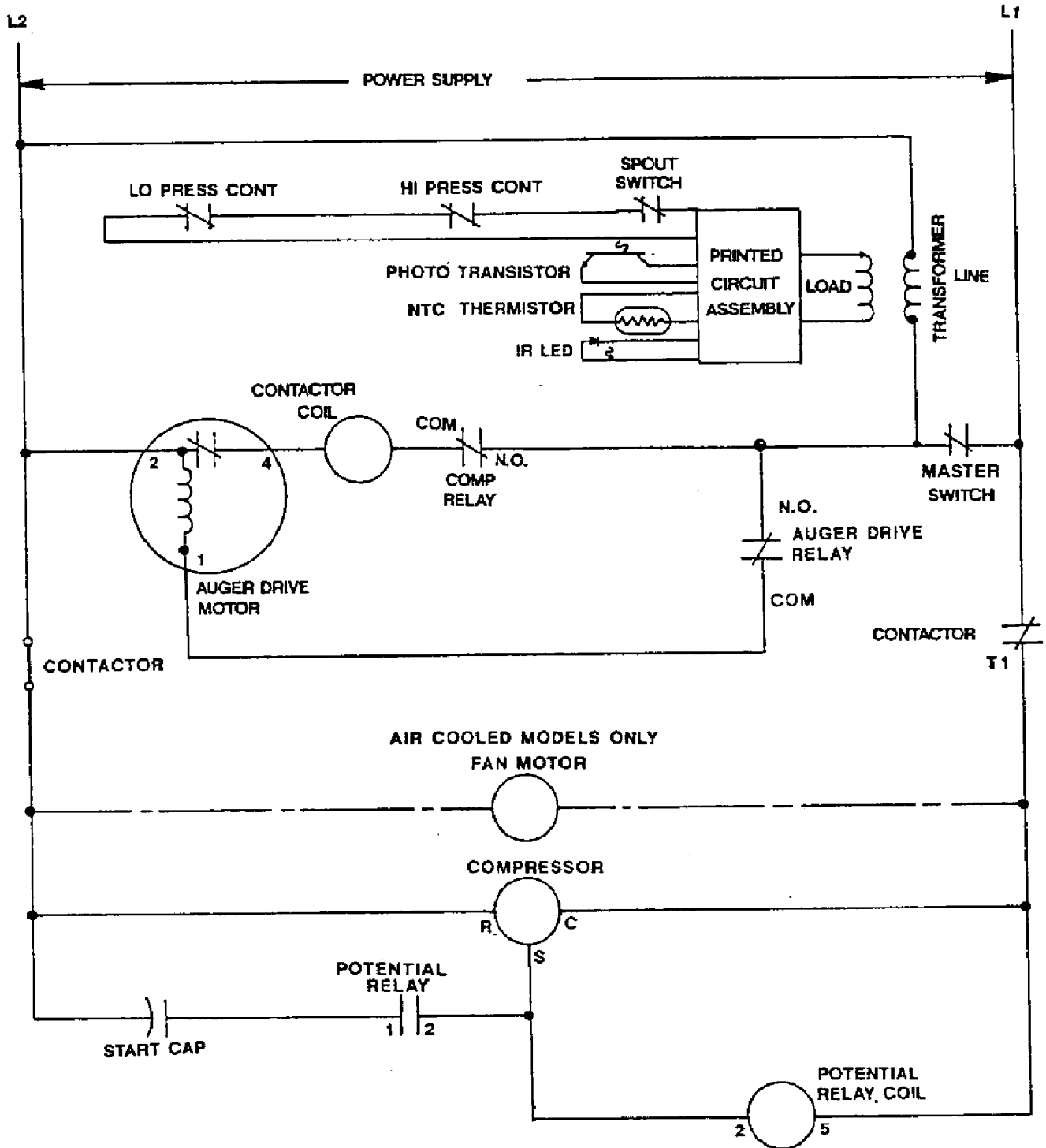
Component Layout Diagram



**A34554-001**

# NM650 SERVICE PARTS

*Schematic Diagram*



**USE COPPER CONDUCTORS ONLY THIS UNIT MUST BE GROUNDED**

All Controls Shown in Normal Ice Making Mode.

Note: Dashed lines indicate field wiring which must be installed in accordance with the National Electric Code Using a Minimum of 14 ga. awg. wire.

# NM650 SERVICE PARTS ICE CHUTE UPDATE

