

Prodigy Eclipse™ EH130 Service Parts

This part list contains the service parts for the Eclipse 600 system.

The EH130's panels changed in 2009, those are listed as the B series.

The models that are covered include:

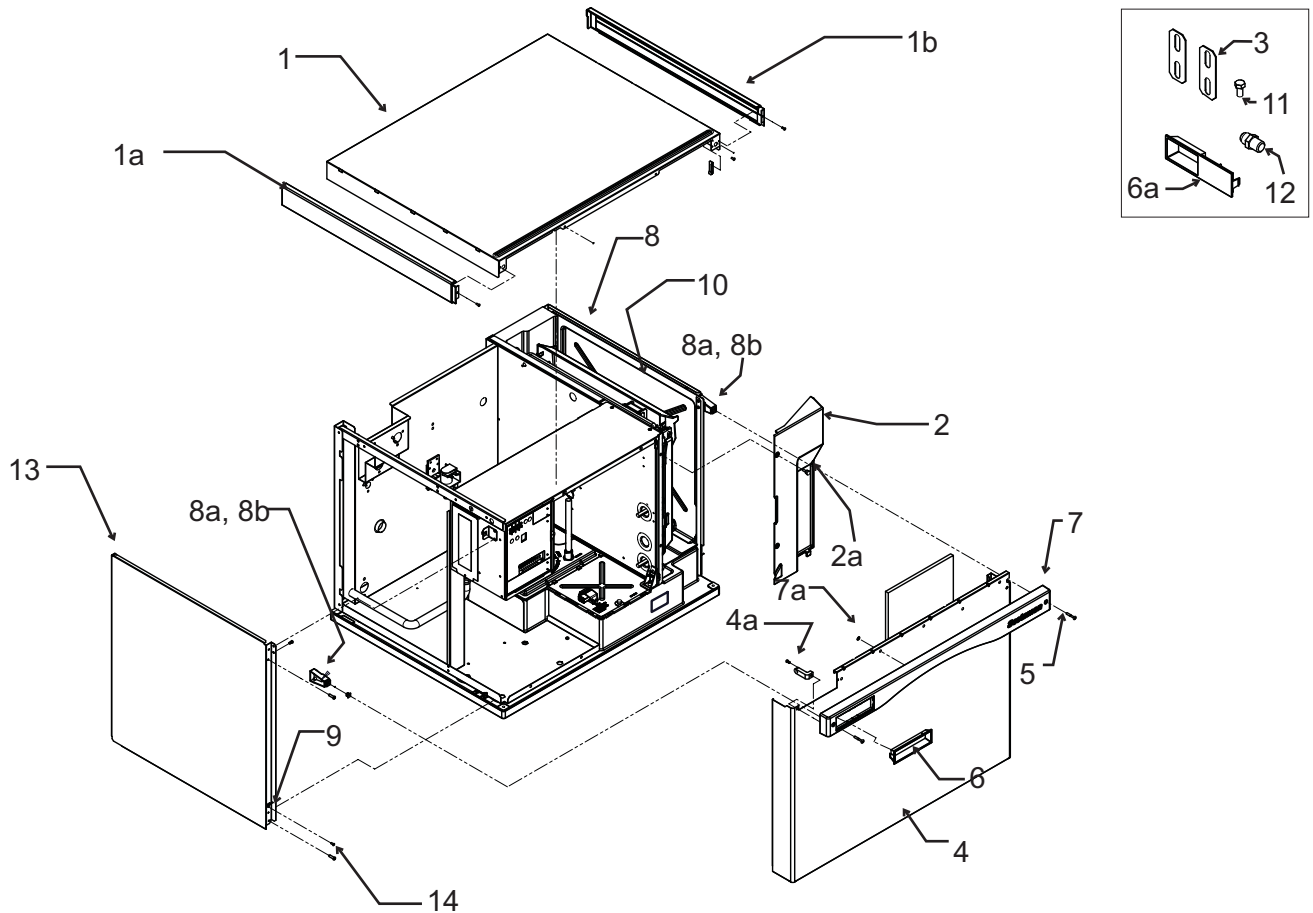
- EH130
- C0600CP
- ERC680
- ER2C6810

Table of Contents

EH130 Cabinet - A Series	Page 2
EH130 Cabinet - B Series	Page 3
Interior Parts	Page 4
Evaporator Compartment	Page 5
Refrigeration	Page 6
EH130 Electrical	Page 7
C0600CP Cabinet	Page 8
C0600CP Refrigeration Systems	Page 9
Compressors.	Page 10
C0600CP Control Box	Page 11
Remote Condensers.	Page 12
Schematic Diagram	Page 13
Wiring Diagram	Page 14
C0600CP Single Phase Schematic Diagram	Page 15
C0600CP Single Phase Wiring Diagram	Page 16
C0600CP Three Phase Wiring Diagram.	Page 17
C0600CP Three Phase Schematic Diagram	Page 18

Prodigy Eclipse™ EH130 Service Parts

EH130 Cabinet - B Series

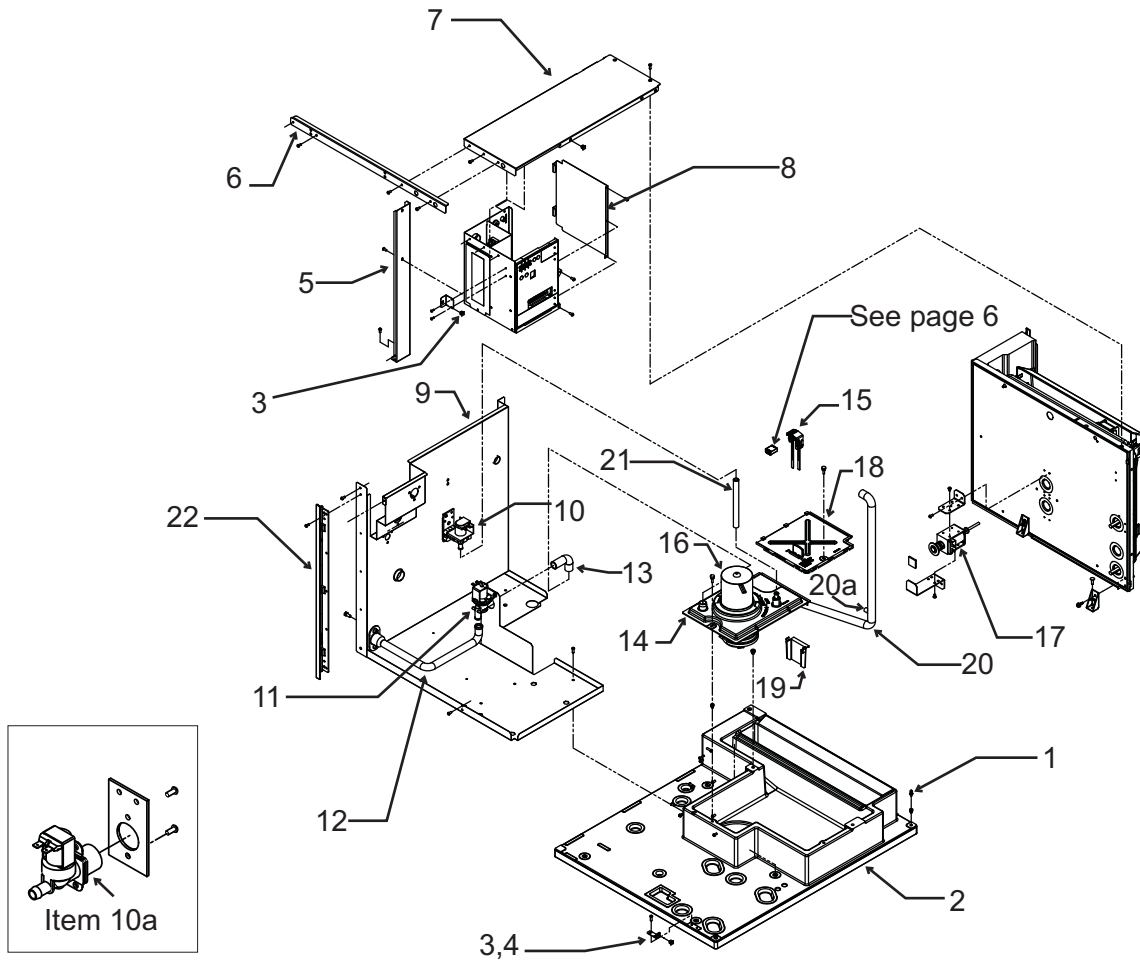


Item Number	Part Number	Description	Item Number	Part Number	Description
1	A39579-022	Top panel	9	A39571-001	Panel clip
1a	02-4221-01	Left trim strip*	10	02-4336-01	Right side panel liner
1b	02-4221-02	Right trim strip*	11	03-1405-15	Screw
2	02-4240-01	Evaporator cover	12	16-0355-00	Inlet water fitting, flare
2a	03-3879-01	Screw	13	A39580-022	Left side panel
3	A30911-015	Machine straps	14	03-1404-12	Screw
4	A39578-022	Front panel assembly, includes trim strip, gussets and labels.			
4a	02-4216-01	Top gusset			
5	03-1735-03	Screw, front panel			
6	02-4284-01	Bezel, full window			
6a	02-4284-02	Bezel, partial window			
7	02-4214-02	Trim strip			
7a	03-1731-02	Push nut			
8	A39581-021	Right side panel assy			
8a	02-4215-01	Receptacle			
8b	03-3804-01	Screw receptacle			

* Side trim strips discontinued mid 2011.

Prodigy Eclipse™ EH130 Service Parts

Interior Parts



Item Number	Part Number	Description
1	15-0411-00	Strike
2	no number	Base, insulated
3	03-3804-01	Receptacle
4	A38732-001	Side panel mount
5	A38607-001	Strut
6	A38582-001	Brace
7	A38539-002	Control box top
8	A38537-001	Control box side
9	A39499-001	Back panel
10	12-2922-01	Inlet water sol vlv, 115 volt
	12-2912-01	Water valve rebuild kit
10a	11-0568-02	Inlet water sol vlv, CE mod
11	11-0564-01	Purge valve, 115 volt
	11-0564-02	Purge valve, 230 volt
12	A38860-002	Drain tube
13	A38860-001	Drain hose

14	02-4164-01	Water pump bracket
15	A39030-021	Water level sensor
16	see table	Water pumps

Pumps	115	208-230
EH130	12-2919-21	12-2919-22

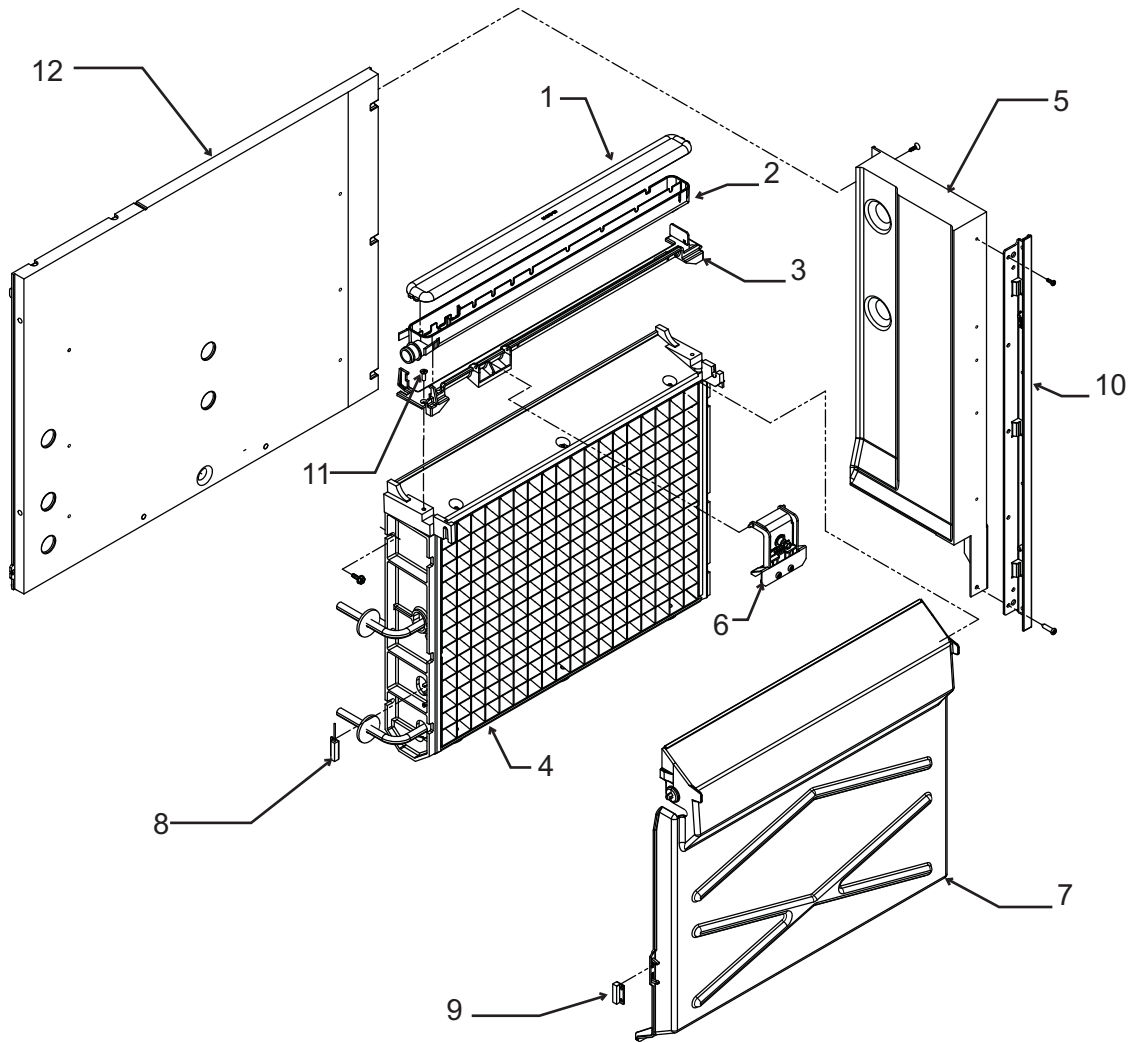
17	see table	Harvest assist solenoid
----	-----------	-------------------------

Hvst. solenoids	115	208-230
EH130	12-3035-21	12-3035-22

18	02-4166-01	Reservoir cover
19	02-4332-01	Sensor cover
20	02-4154-02	Pump hose
20a	11-0515-21	Temp sensor set
21	13-0674-02	Fill hose order by ft
	15-0821-01	Fill hose, -6 CE models
22	02-4067-01	Side panel support

Prodigy Eclipse™ EH130 Service Parts

Evaporator Compartment



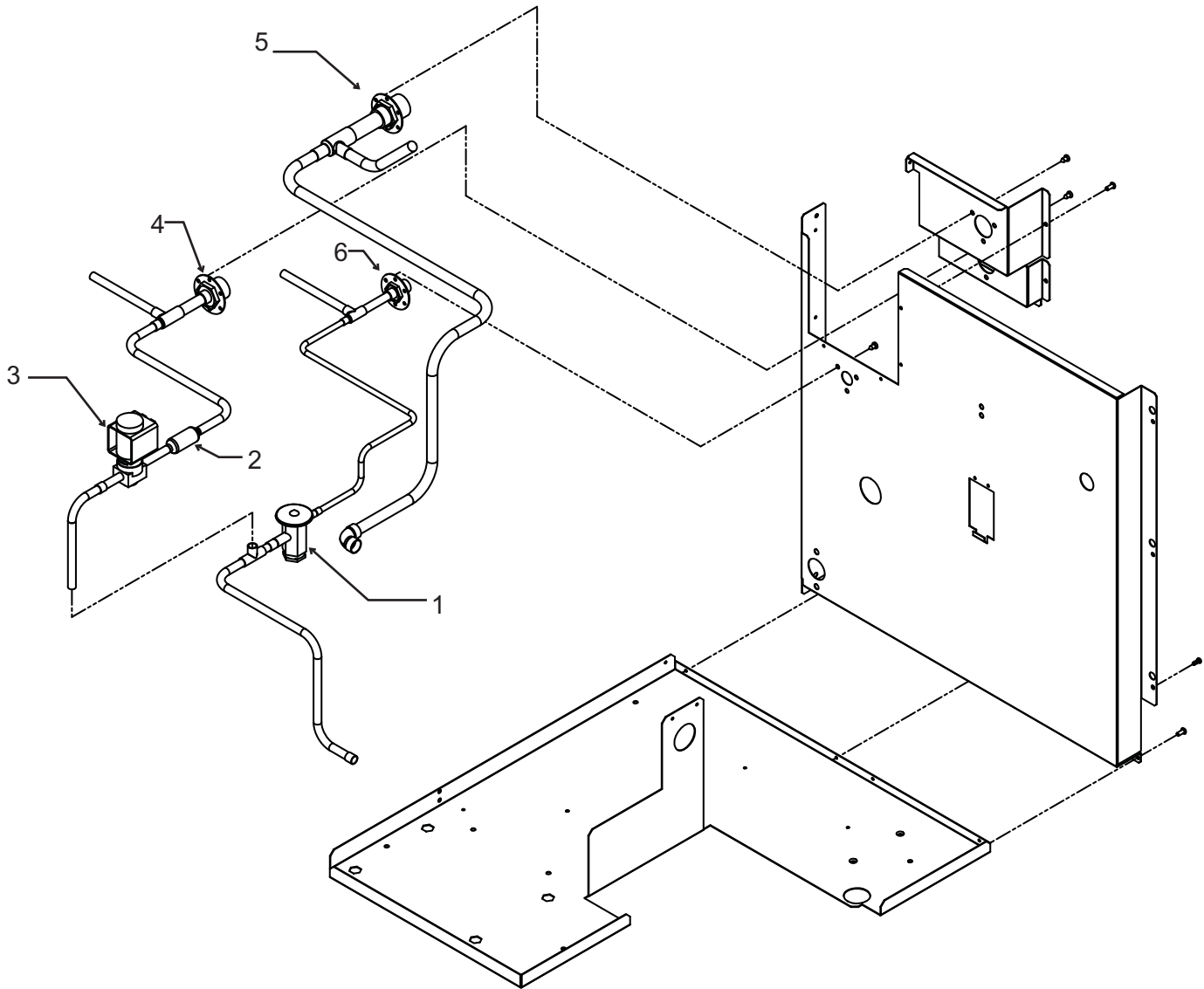
Item Number	Part Number	Description	Item Number	Part Number	Description
			10	02-4067-01	Side panel support
			11	03-1418-30	Mounting screw
1	02-4065-01	Water distributor cover	12	13-0943-01	Gasket tape
2	02-4064-01	Water distributor	Note: Item 7 includes item 9, shipped loose.		
3	02-4205-01	Mounting bracket			
4	see table	Evaporator			

	small cube	medium cube
EH130	A38627-021	A38627-022

5	A38596-001	Back wall
6	A39031-021	Ice thickness sensor
7	02-4100-32	Curtain
8	11-0563-01	Curtain switch
9	11-0563-02	Curtain switch magnet

Prodigy Eclipse™ EH130 Service Parts

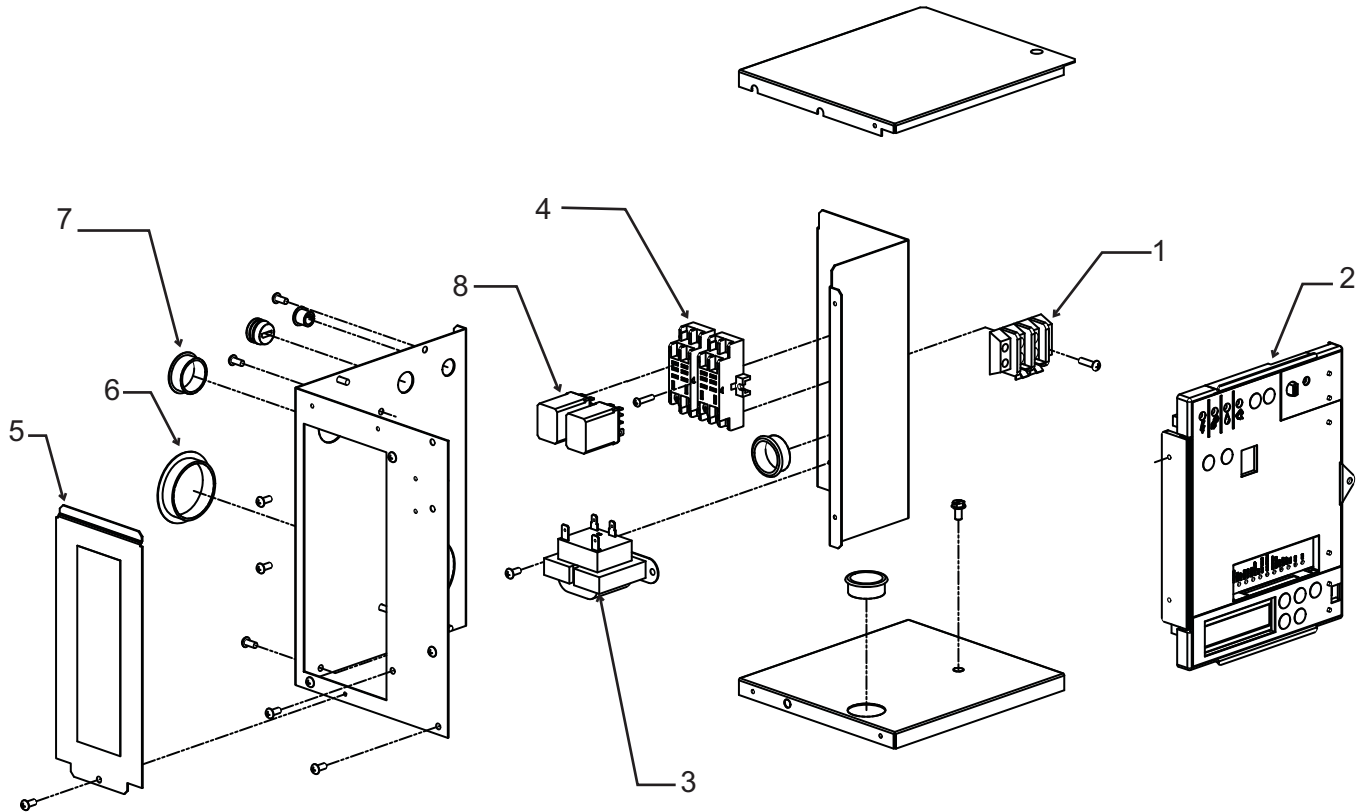
Refrigeration



Item Number	Part Number	Description
1	16-1117-02	Thermo exp valve
	02-4406-01	Insulation, TXV
2	16-1063-01	Strainer
3	11-0493-02	Hot gas valve
4	16-0850-01	Vapor fitting
5	16-0850-04	Suction fitting
6	16-0850-03	Liquid fitting

Prodigy Eclipse™ EH130 Service Parts

EH130 Electrical



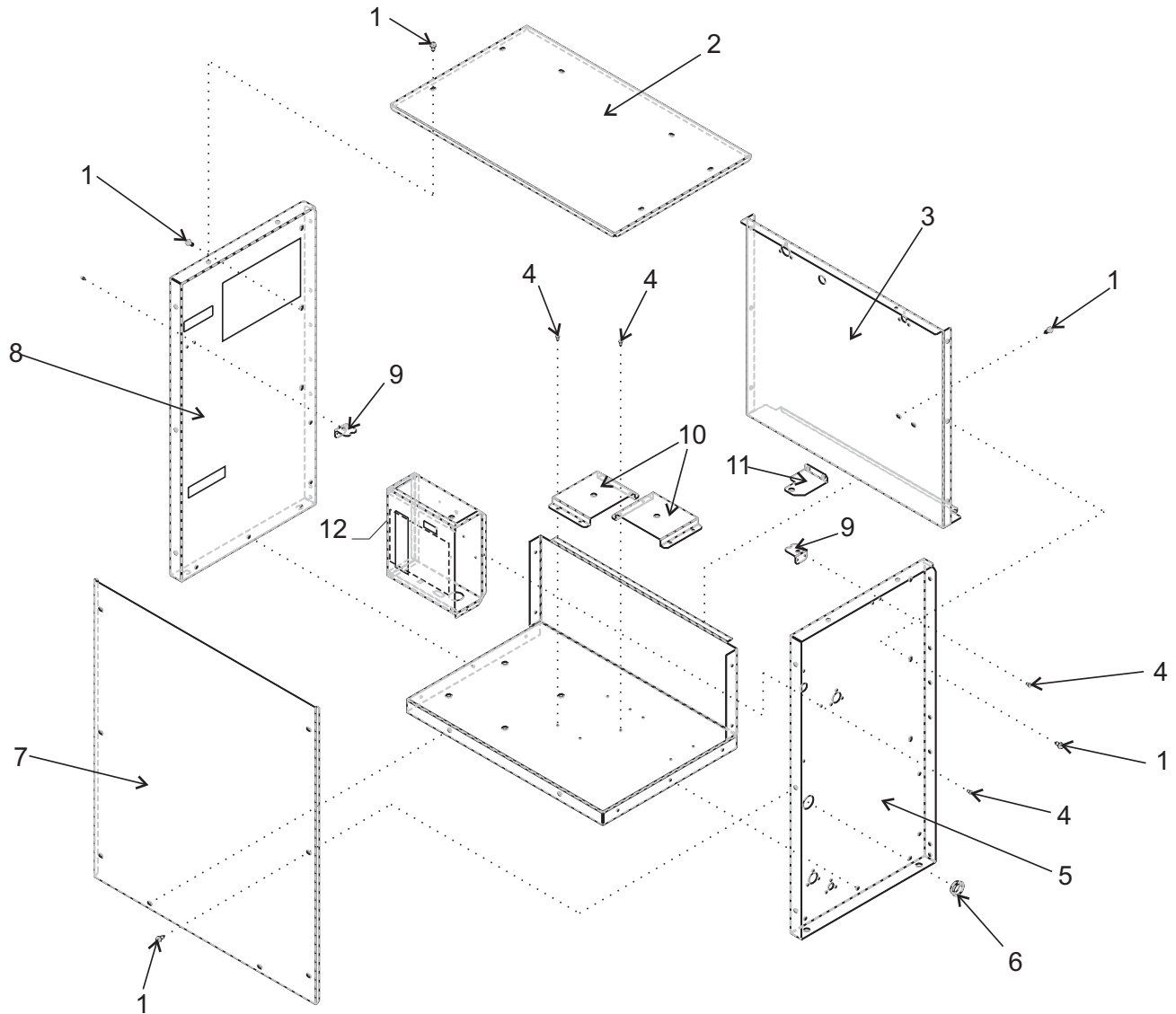
Item Number	Part Number	Description
1	12-2780-01	Terminal strip
2	11-0550-27	Controller
3	12-2924-01	Transformer - 115 to 12 volts
4	12-2949-02	Relay base
5	A39287-001	Cover
6	12-1213-15	Snap bushing
7	12-1213-11	Snap bushing
8	12-2949-01	Relay - 115 volt coil

Not Illustrated:

9	12-2954-01	Low voltage harness - to interconnecting wire
10	12-3013-01	High voltage harness (has large plug)
11	12-2940-01	Control power harness
12	12-1638-19	Power cord

Prodigy Eclipse™ EH130 Service Parts

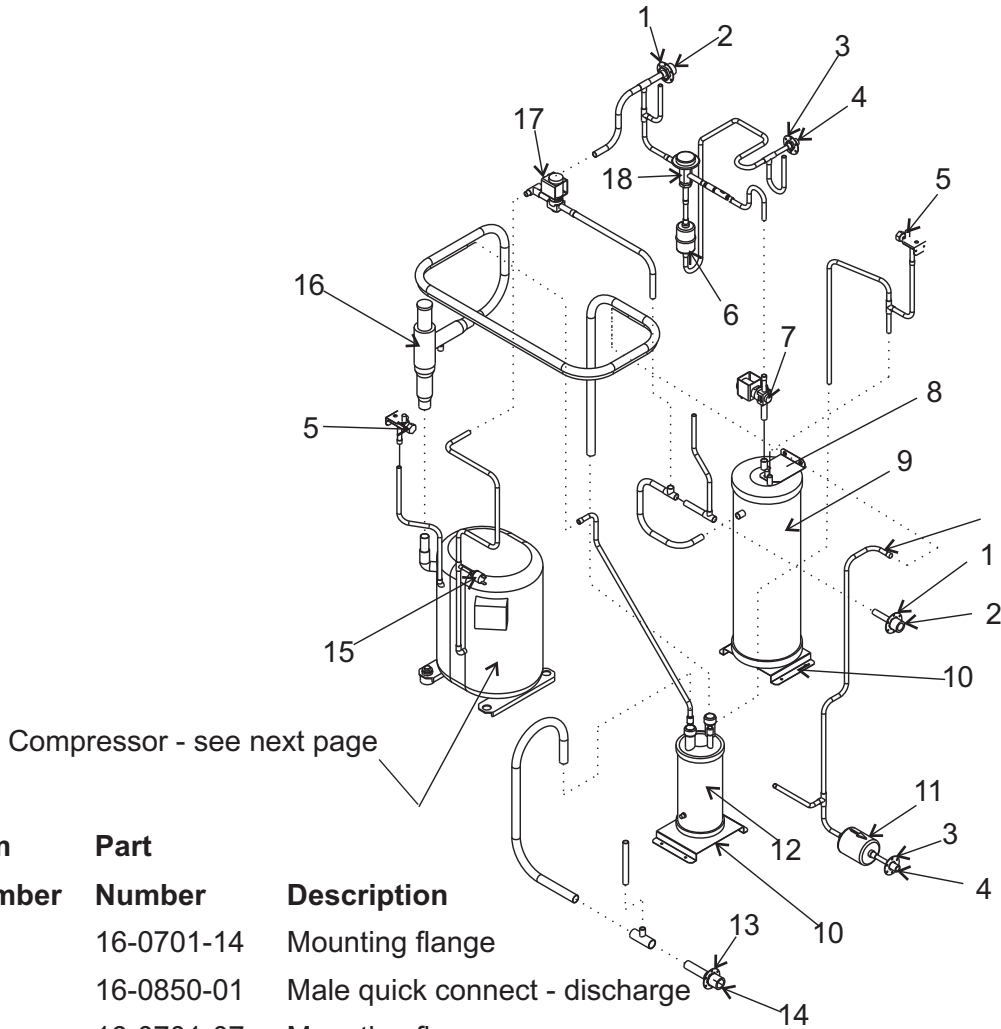
C0600CP Cabinet



Item Number	Part Number	Description	Item Number	Part Number	Description
1	03-1645-01	Screw	10	A37948-001	Receiver or accumulator bracket
2	A37853-001	Top cover	11	A37949-001	Receiver top bracket
3	A37845-001	Back panel	12	A38430-001	Control box cover
4	03-1531-01	Screw			
5	A37829-001	Right side panel			
6	12-1213-20	Snap bushing			
7	A37896-001	Front cover			
8	A37829-002	Left side panel			
9	A37962-001	Service valve bracket			

Prodigy Eclipse™ EH130 Service Parts

C0600CP Refrigeration Systems



Item Number	Part Number	Description
1	16-0701-14	Mounting flange
2	16-0850-01	Male quick connect - discharge
3	16-0701-07	Mounting flange
4	16-0850-03	Male quick connect - liquid
5	16-0832-20	Access valve
6	02-3231-02	Filter
7	11-0546-01	Liquid inlet valve (N.O.)
8	A37949-001	Top bracket
9	16-1085-01	Receiver
10	A37948-001	Bottom bracket
11	02-3319-02	Filter dryer
12	16-0801-22	Suction accumulator
13	16-0701-18	Mounting flange
14	16-0850-04	Male quick connect - suction
15	11-0501-22	Hi press cut out
16	16-1096-22	CPR valve
17	11-0507-03	By pass solenoid valve
18	16-1044-01	Headmaster

Prodigy Eclipse™ EH130 Service Parts

Compressors

Compressor - see table below

CP Model	Phase	Part Number
C0600CP-32	single	18-8768-22
C0600CP-3	three	18-8768-24

All compressors are 208-230 volt, 60 Hz.

Single phase compressors include starting components.

All include a drier.

12-1868-02 Crankcase heater for 18-8768 type

Mounting parts for 18-8768 type compressors:

18-2200-28 Mounting grommet

18-2200-27 Sleeve

03-1406-07 Washer

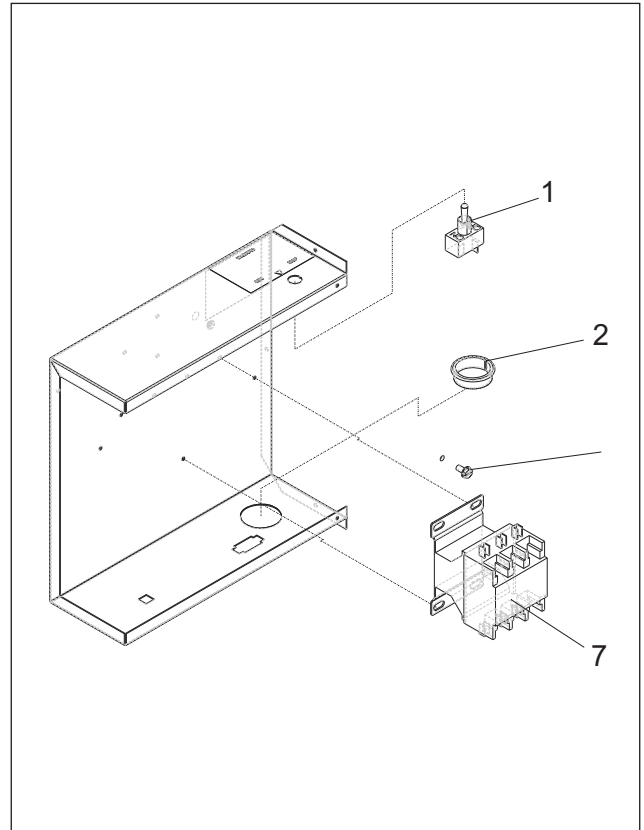
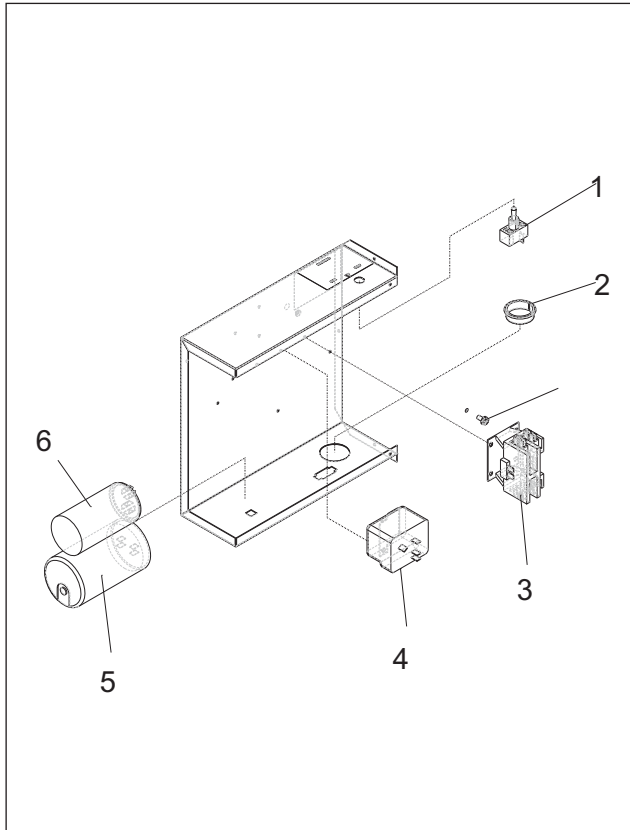
03-1404-20 Cap screw

Parts Shipped in CP unit:

12-2865-01 75' Interconnecting harness

Prodigy Eclipse™ EH130 Service Parts

C0600CP Control Box



Item Number	Part Number	Description
1	12-0426-01	Toggle switch
2	12-1213-20	Snap bushing
3	12-2469-01	Single phase contactor

C0600CP-32		
4	Comp. Relay	18-1903-33
5	Start Capacitor	18-1901-54
6	Run Capacitor	18-1902-45

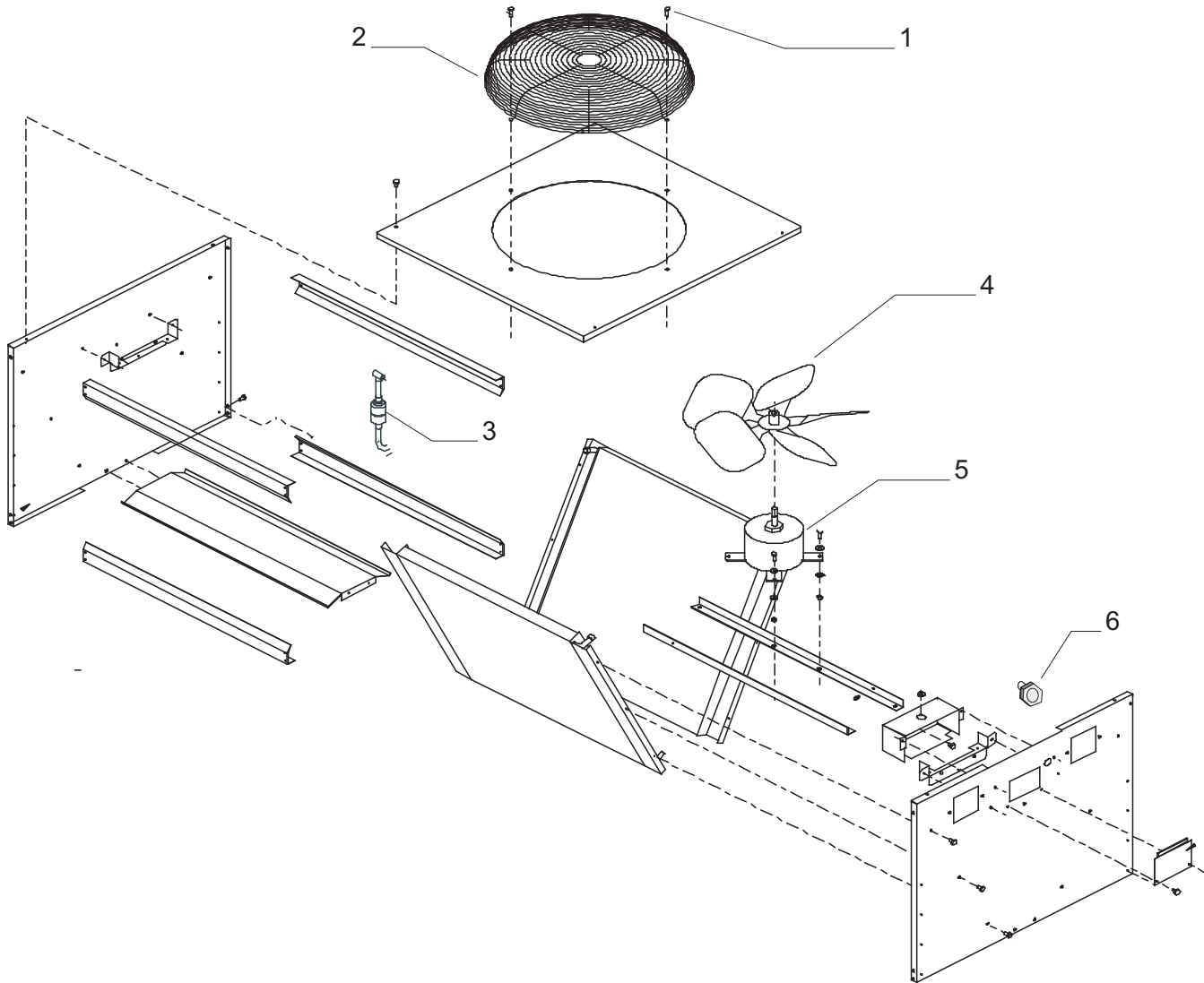
7 12-2533-01 Three phase contactor

Not Shown:

8 12-2836-02 Transformer, 230 volt to 24 volt

Prodigy Eclipse™ EH130 Service Parts

Remote Condensers



Models ERC680

Item Number	Part Number	Description
1	03-1405-08	Screw
2	02-3575-01	Fan guard
3	02-3231-03	Filter
4	18-8816-01	Fan blade
5	12-2651-01	Fan motor
6	16-1057-04	Quick connect, disch
	16-1057-03	Quick connect, liquid

Not Shown:

A37169-001	Leg
A37170-001	Leg brace
03-1645-01	Screw for legs

Model ER2C6810 (two circuit condenser)

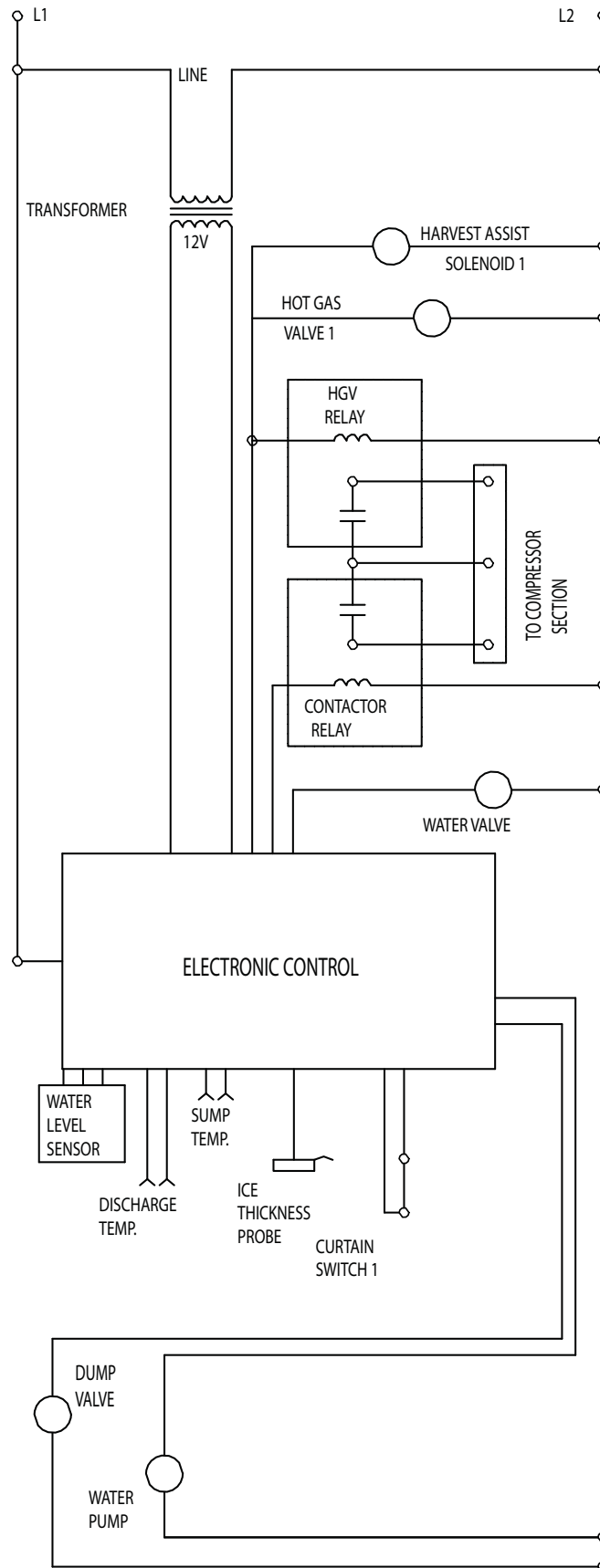
Item Number	Part Number	Description
1	03-1405-08	Screw
2	02-3770-01	Fan guard
3	02-3231-03	Filter
4	18-8820-01	Fan blade
5	12-2717-01	Fan motor
6	16-1057-04	Quick connect, discharge
	16-1057-03	Quick connect, liquid

Not Shown:

A37169-001	Leg
A37296-001	Leg brace
03-1645-01	Screw for legs

Prodigy Eclipse™ EH130 Service Parts

Schematic Diagram



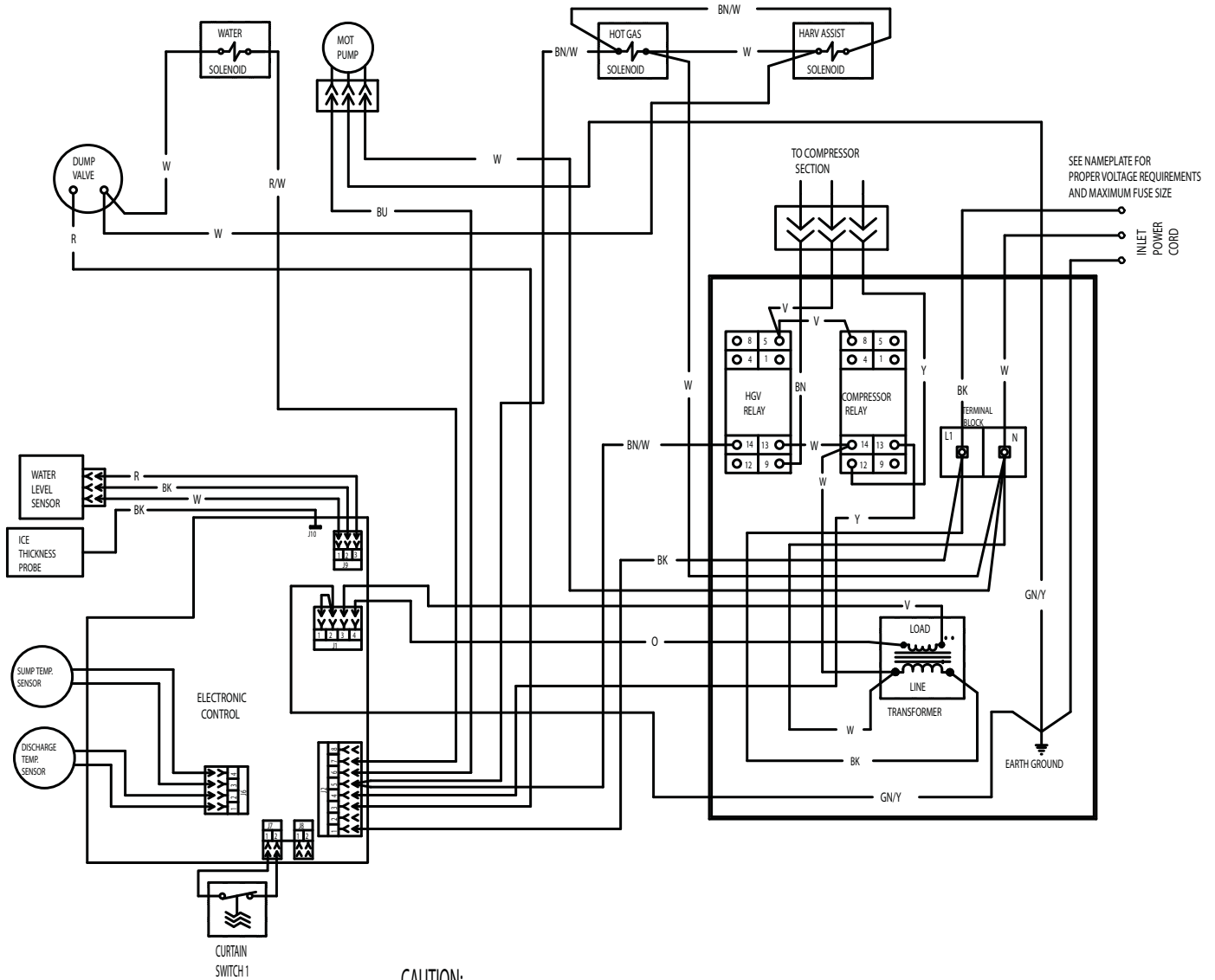
Prodigy Eclipse™ EH130 Service Parts

Wiring Diagram

17-3253-01

▲ DASHED LINES INDICATE FIELD WIRING WHICH MUST BE INSTALLED IN ACCORDANCE WITH THE NATIONAL ELECTRICAL CODE AND ALL STATE AND LOCAL CODES.

USE COPPER CONDUCTORS ONLY



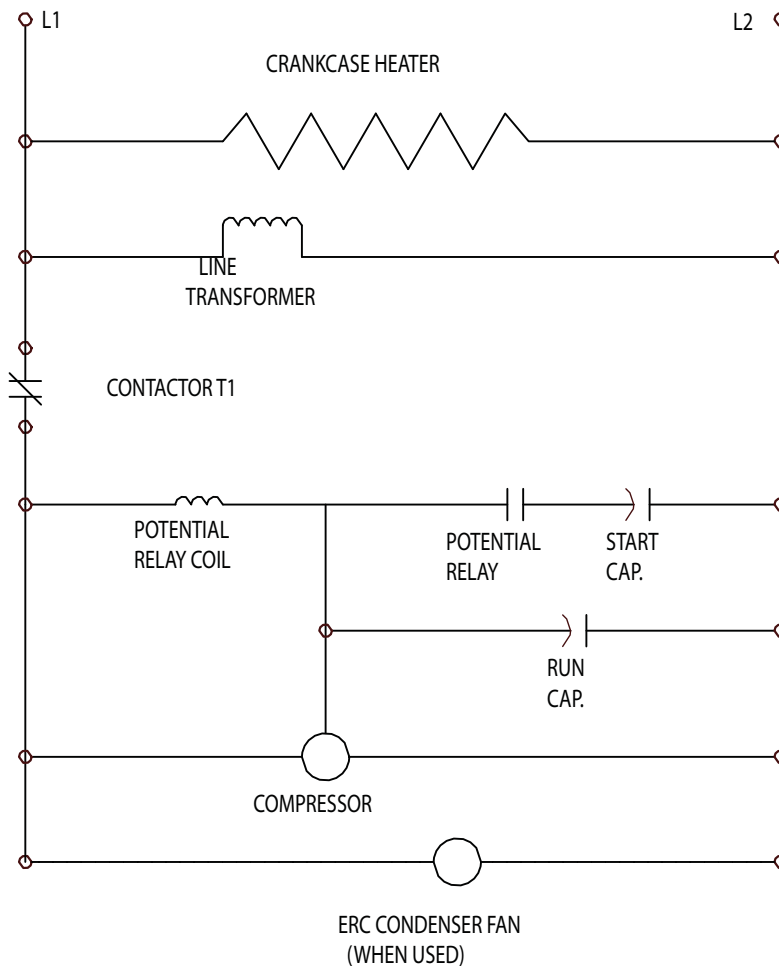
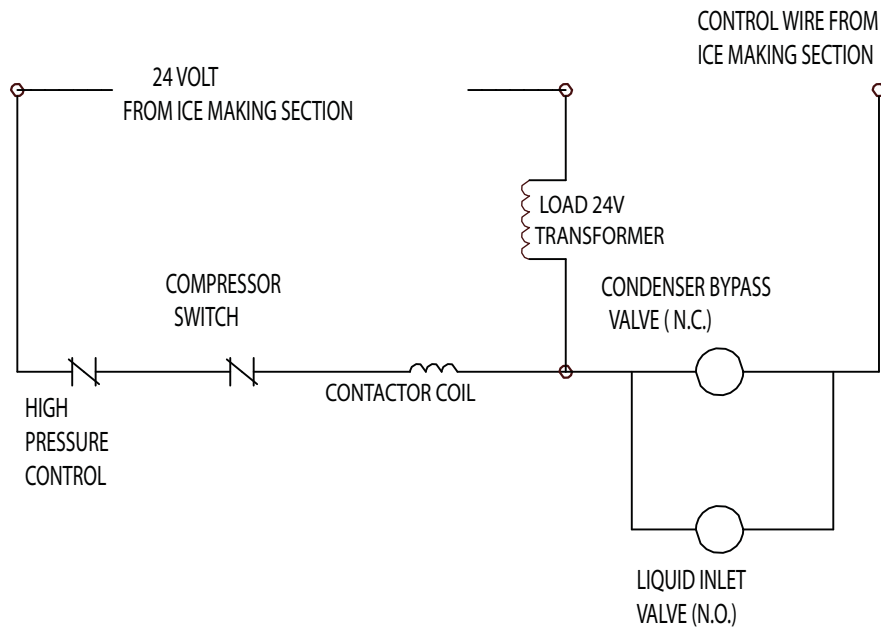
SEE NAMEPLATE FOR PROPER VOLTAGE REQUIREMENTS AND MAXIMUM FUSE SIZE

CAUTION: MORE THAN ONE DISCONNECT MEANS MAY BE REQUIRED TO DISCONNECT ALL POWER TO THIS UNIT.

THIS UNIT MUST BE GROUNDED.

Prodigy Eclipse™ EH130 Service Parts

C0600CP Single Phase Schematic Diagram




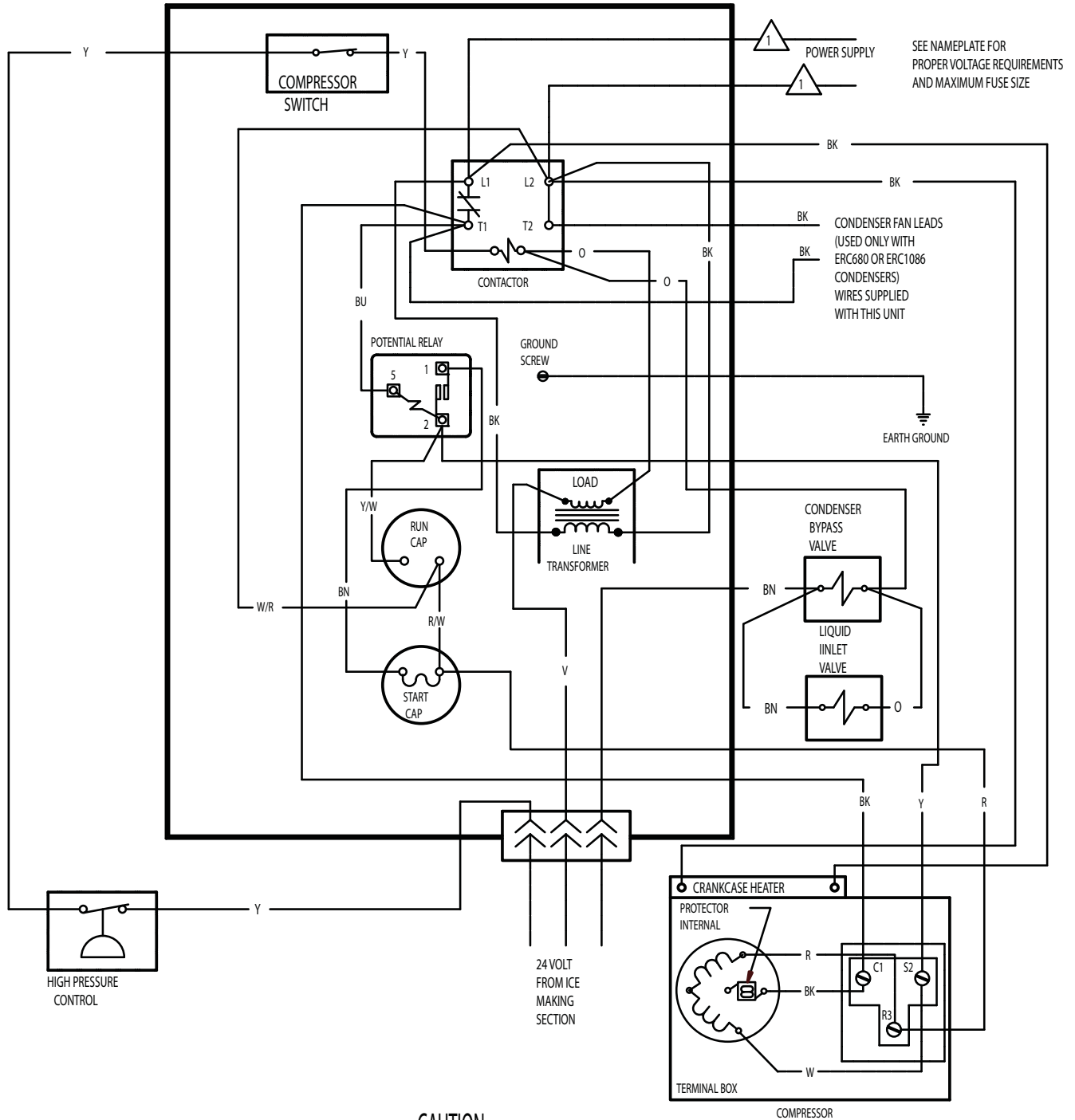
Prodigy Eclipse™ EH130 Service Parts

C0600CP Single Phase Wiring Diagram

17-3130-01

USE COPPER CONDUCTORS ONLY

 DASHED LINES INDICATE FIELD WIRING WHICH MUST BE INSTALLED IN ACCORDANCE WITH THE NATIONAL ELECTRICAL CODE AND ALL STATE AND LOCAL CODES.



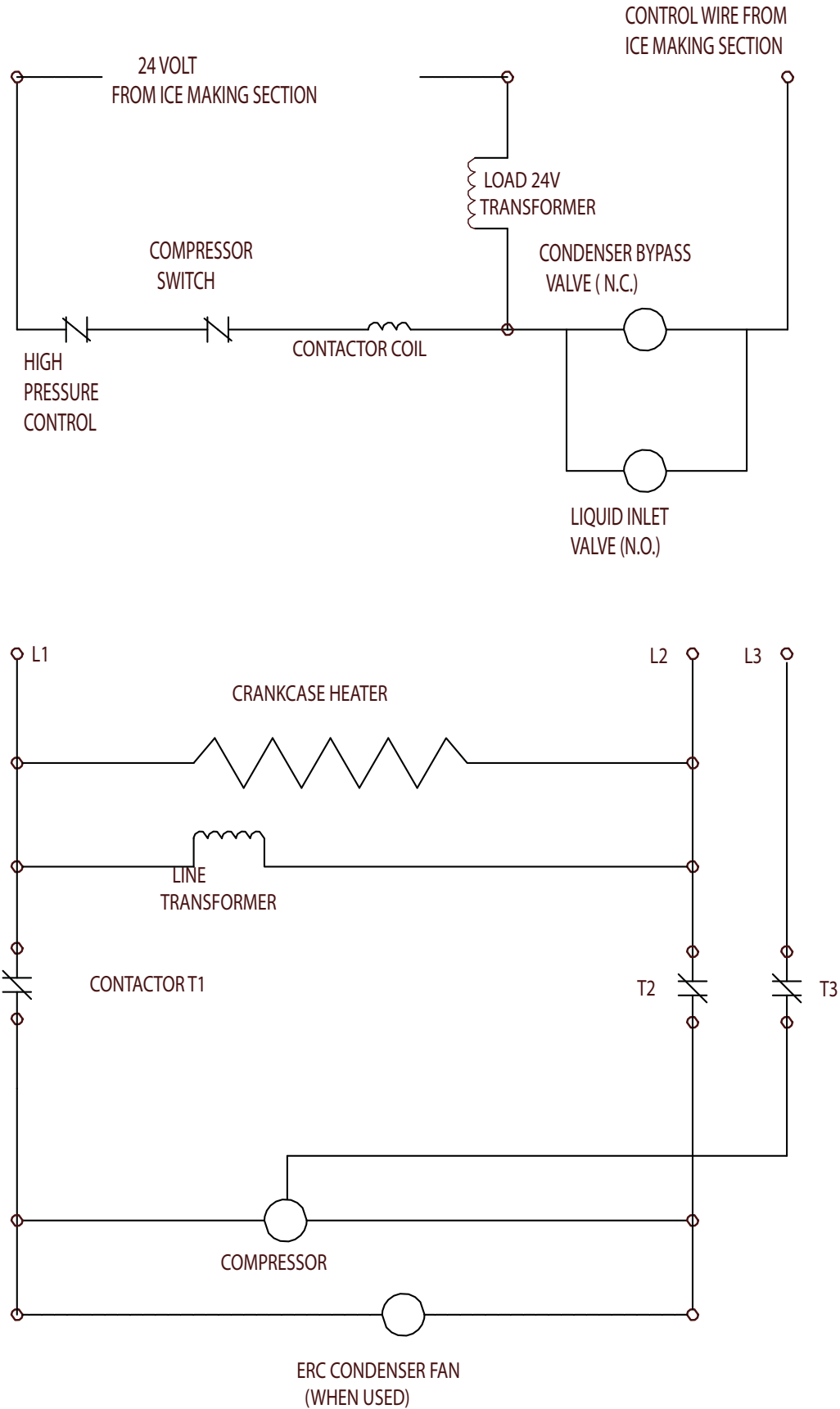
CAUTION:

MORE THAN ONE DISCONNECT MEANS MAY BE REQUIRED TO DISCONNECT ALL POWER TO THIS UNIT.

THIS UNIT MUST BE GROUND.

Prodigy Eclipse™ EH130 Service Parts

C0600CP Three Phase Wiring Diagram




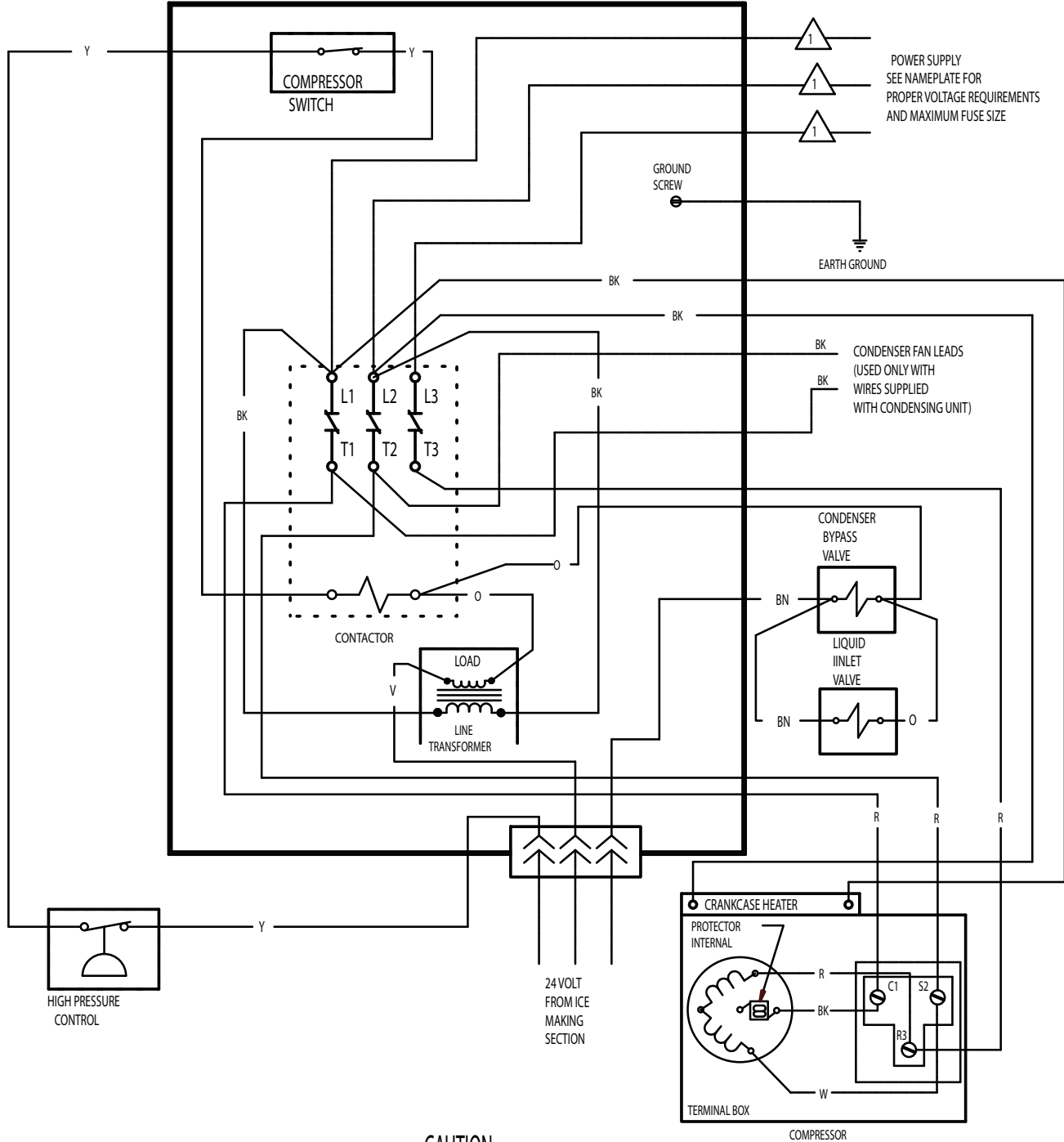
Prodigy Eclipse™ EH130 Service Parts

C0600CP Three Phase Schematic Diagram

17-3131-01

USE COPPER CONDUCTORS ONLY

 DASHED LINES INDICATE FIELD WIRING WHICH MUST BE INSTALLED IN ACCORDANCE WITH THE NATIONAL ELECTRICAL CODE AND ALL STATE AND LOCAL CODES.



CAUTION:

MORE THAN ONE DISCONNECT MEANS MAY BE
REQUIRED TO DISCONNECT ALL POWER TO THIS UNIT.

THIS UNIT MUST
BE GROUND.