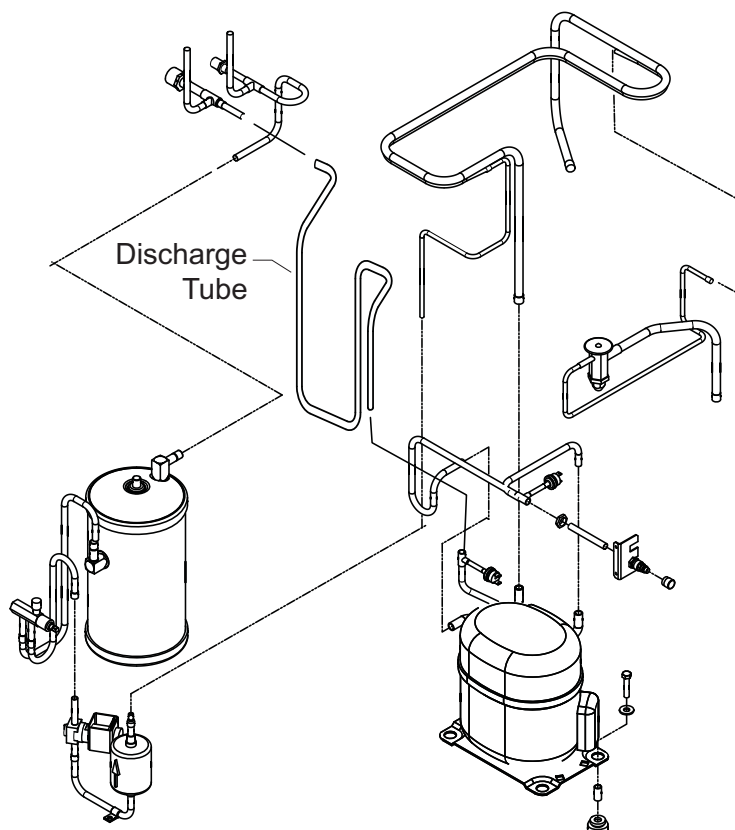


SERVICE BULLETIN

Subject: Design change to F0822R, N0622R, F1222R, N0922R, F1522R and N1322R

Beginning with serial number 10041320013153 the discharge tube between the compressor and the quick-connect fitting in the back of the cabinet has been changed to add an oil trap. See the illustration:



Recommendation: When changing a compressor on a unit built before the design change, order a new discharge tube and change it as well.

F1222R, N0922R, F1522R and N1322R use part number: **A39290-001**

F0822R, N0622R use part number **A39264-001**