

# Introduction

Purpose of this manual: To provide detailed installation and operation instructions; to give insights into how the machine works; to list possible causes for problems; and to suggest procedures for specific types of service.

The FDE474 is an ice maker and dispenser combined into one cabinet. The refrigeration system is air cooled, using R-134a as a refrigerant. The control system uses electric eyes as a bin control and a water level sensor as the water safety control. As ice is made, it fills a plastic storage bin. When ice is needed, a motor rotates a stainless steel vane inside the storage bin and sweeps the ice into the spout.

## Table of Contents

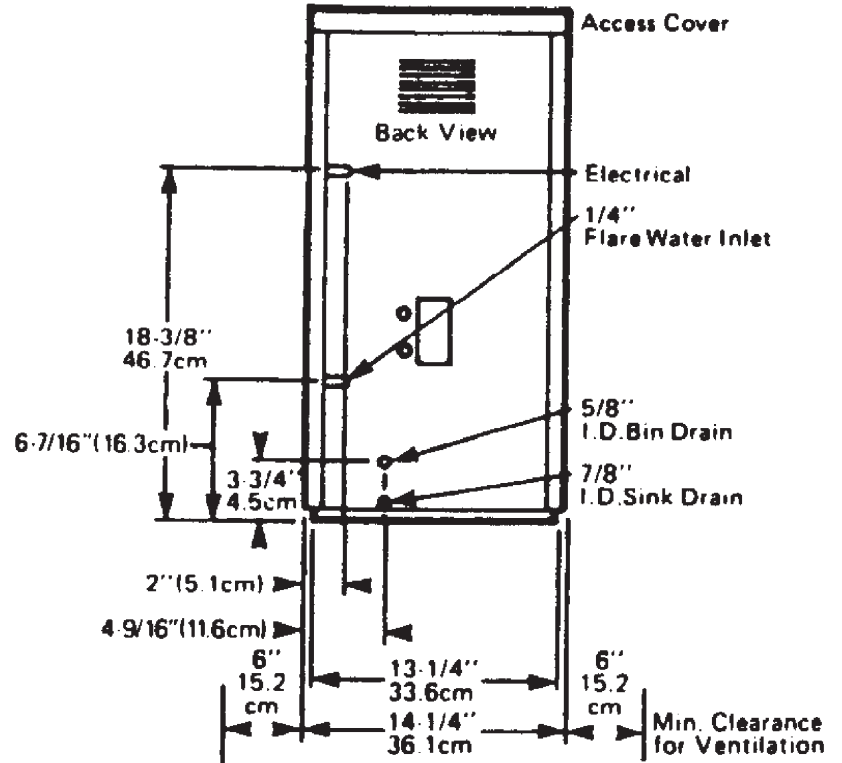
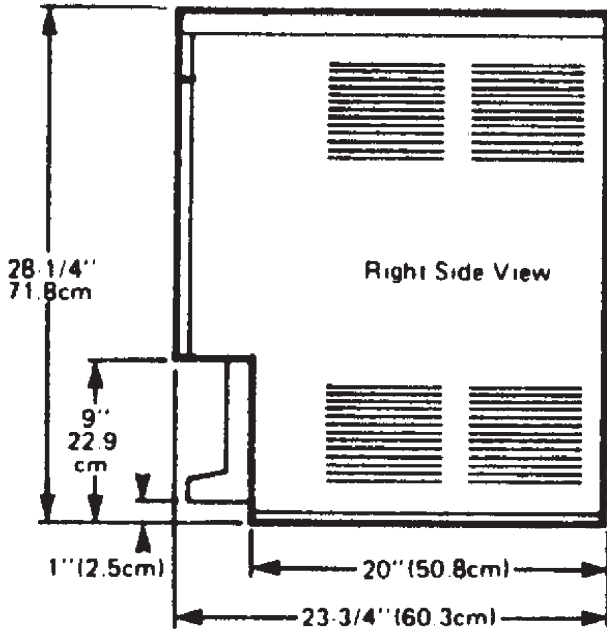
- Specifications: . . . . . Page 2
- To The Installer: . . . . . Page 3
- For The Electrician . . . . . Page 4
- For The Plumber . . . . . Page 5
- Optional Kits: . . . . . Page 6
- Wall Mount Kit (KWB1): . . . . . Page 7
- Final Check List & Initial Start Up . . . . . Page 8
- User Operation . . . . . Page 9
- Component Location & Function . . . . . Page 10
- Component Description: Control Box . . . . . Page 11
- Electrical Sequence . . . . . Page 12
- Refrigeration System Operation . . . . . Page 13
- Water System Operation: . . . . . Page 14
- Mechanical Operation . . . . . Page 15
- Maintenance: . . . . . Page 16
- Auger and Bearing Inspection . . . . . Page 17
- Inspection: Auger . . . . . Page 18
- Inspection: . . . . . Page 19
- Service Diagnosis . . . . . Page 20
- Service Diagnosis . . . . . Page 21
- Electrical System . . . . . Page 22
- Removal and Replacement . . . . . Page 23
- Water System . . . . . Page 24
- Bearings, Water Seal and Auger . . . . . Page 25
- Bearing Replacement: . . . . . Page 26
- Refrigeration System . . . . . Page 27
- Gear Reducer Removal . . . . . Page 28
- Auger Drive Motor . . . . . Page 29

# FDE474

## Specifications:

Scotsman ice machines, like the FDE474, are designed to be installed indoors, in a controlled environment.

Scotsman Ice Systems are designed and manufactured with the highest regard for safety and performance. They meet or exceed the standards of UL, NSF and CUL



The minimum and maximum operating conditions are:

- Minimum Air Temperature: 50°F.
- Maximum Air Temperature: 100°F.
- Minimum Water Temperature: 40°F.
- Maximum Water Temperature: 100°F.
- 60 Hz voltage may vary between 104 and 126 volts.
- Water Pressure may vary between 20 and 80 psi.

Operating the machine outside these conditions constitutes misuse and voids the warranty.

Scotsman assumes no liability or responsibility of any kind for products manufactured by Scotsman that have been altered in any way, including the use of parts and/of other components not specifically approved by Scotsman.

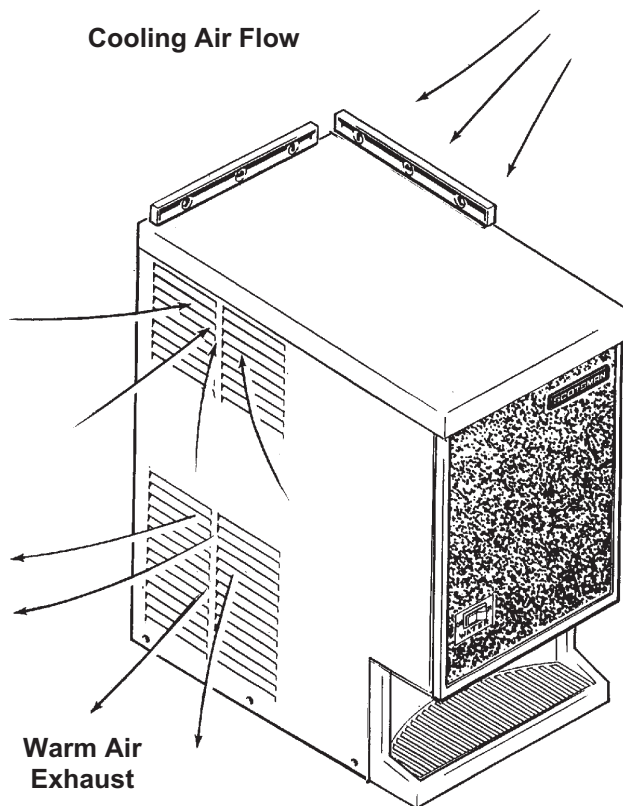
Scotsman reserves the right to make design changes and/or improvements at any time. Specifications and designs are subject to change without notice.

Model Number	Dimensions W" x D" x H"	Basic Electrical	Bin Capacity	Ice Making Capacity	Refrigerant Charge (R134a)	Min. Circuit Ampacity	Max Fuse Size
FDE474AS-1A	14 x 23 <sup>3</sup> / <sub>4</sub> x 27 <sup>7</sup> / <sub>8</sub>	115/60/1	12 lb.	470 lb./24Hr	14 oz.	14.6	20
FDE474AS-6A	14 x 23 <sup>3</sup> / <sub>4</sub> x 27 <sup>7</sup> / <sub>8</sub>	230/50/1	12 lb.		14 oz.	n/a	n/a

## To The Installer:

A professional installation of any product is critical to the long term satisfaction of the user. The FDE474 is designed to be installed either on a counter, or, using a wall hanging kit, hung from a wall. Another option is a kit to increase the cabinet height which will allow taller containers to be placed under the spout. Determine the location from the anticipated use and any options planned for.

This machine is air cooled and blows air out the lower left side of the cabinet. Do not install the machine where the side to side air flow might be blocked.



The machine will require electrical power, water and a drain. Follow all local codes. Rough in the utilities before placing the machine into position (see For The Electrician and For The Plumber).

### Water Quality:

The quality of the water supplied to the machine will directly affect the purity of the ice and the reliability of the machine. While the condition of the water supplied to a building is normally out of the control of the user, water can be treated at the point of use.

There are two major types of water impurities: suspended solids (those that are carried along with the water and may be filtered out) and dissolved solids (those that are part of the water and have to be treated). A water filter is always a good idea, but does require regular maintenance to change the cartridge. In some water conditions, water treatment may be required. Generally this means a polyphosphate feeder of some kind. Water softeners are not recommended for the FDE474.

### General Installation:

Place the machine in its final location. Remove the top, right and left side panels:

1. Remove two screws at the back of the top panel.
2. Pull up on the back of the top panel and remove it.
3. Remove screws from the sides (top and bottom) of the side panels and from the splash panel.
4. Pull the side panels back and off the machine.

Plumbing connections may be made thru holes in the back of the cabinet or thru the base.

- Route the sink drain to the back of the cabinet. Route the bin drain to the back panel.
- Route the electrical power cord from the junction box inside the cabinet. thru the back panel .
- Route the inlet water line thru the back panel or base to the flare fitting inside the cabinet.

Install the stainless steel panel kit (if used) now.

Install the back panel of the stainless steel panel kit now (if used).

After all plumbing and internal wiring has been done, replace the side and back panels.

Level the unit front to back and left to right.

The machine does not require sealing to the counter due to the gasket on the base.

# FDE474

## For The Electrician

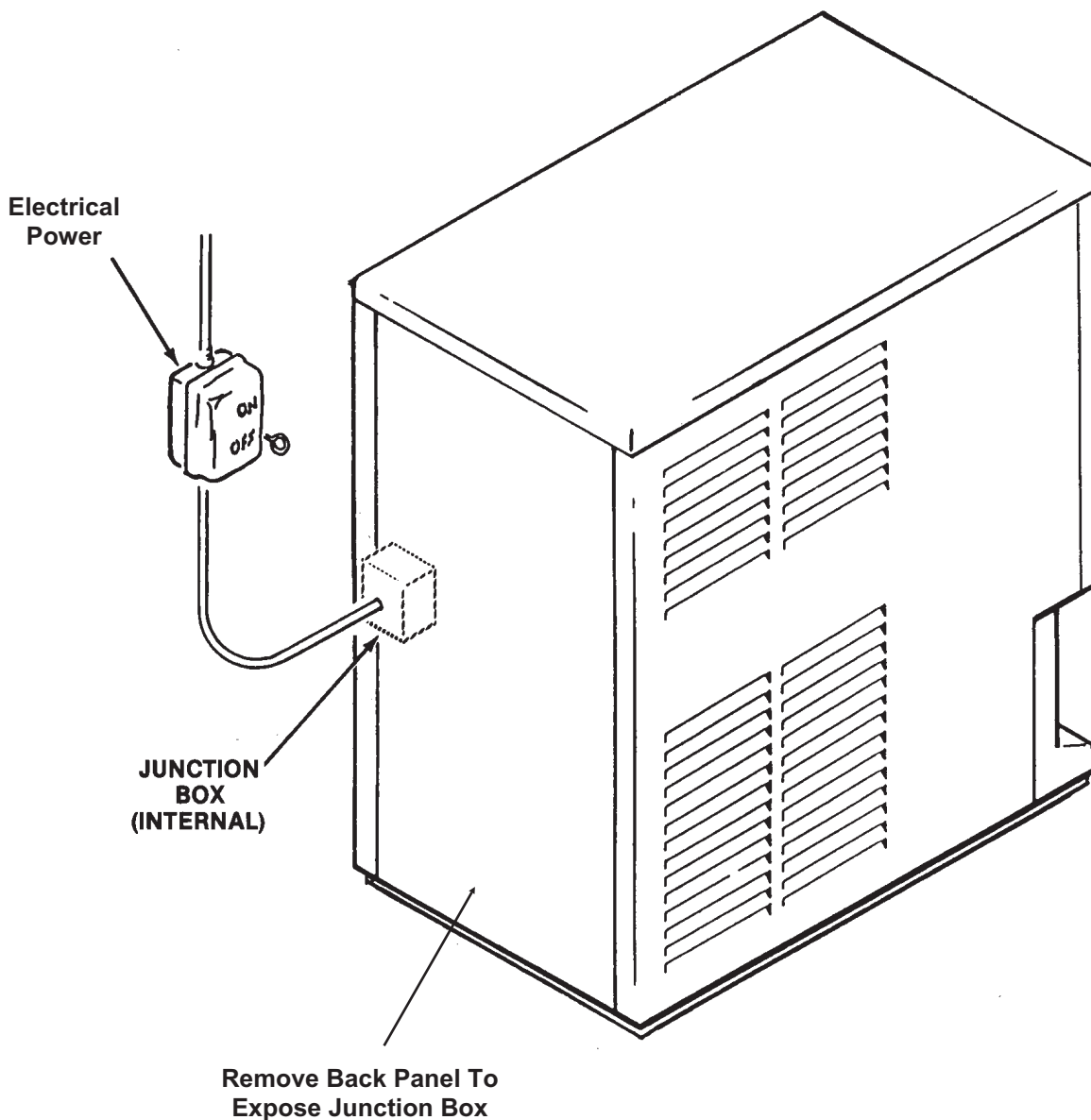
---

### Electrical connections:

Check the nameplate for voltage and current requirements. An electrical cord is not supplied. Connect the FDE474 to a separate electrical circuit. Wiring to the machine must conform to all codes. A licensed electrician may be required in some situations.

Remove the back panel to make the electrical connection. The electrical connection is made on the terminal strip in the junction box inside the machine. Replace the back panel when the electrical connections are complete.

**FOLLOW ALL APPLICABLE LOCAL, STATE  
AND NATIONAL CODES  
This Unit MUST BE GROUNDED**



# For The Plumber

**Drains:**

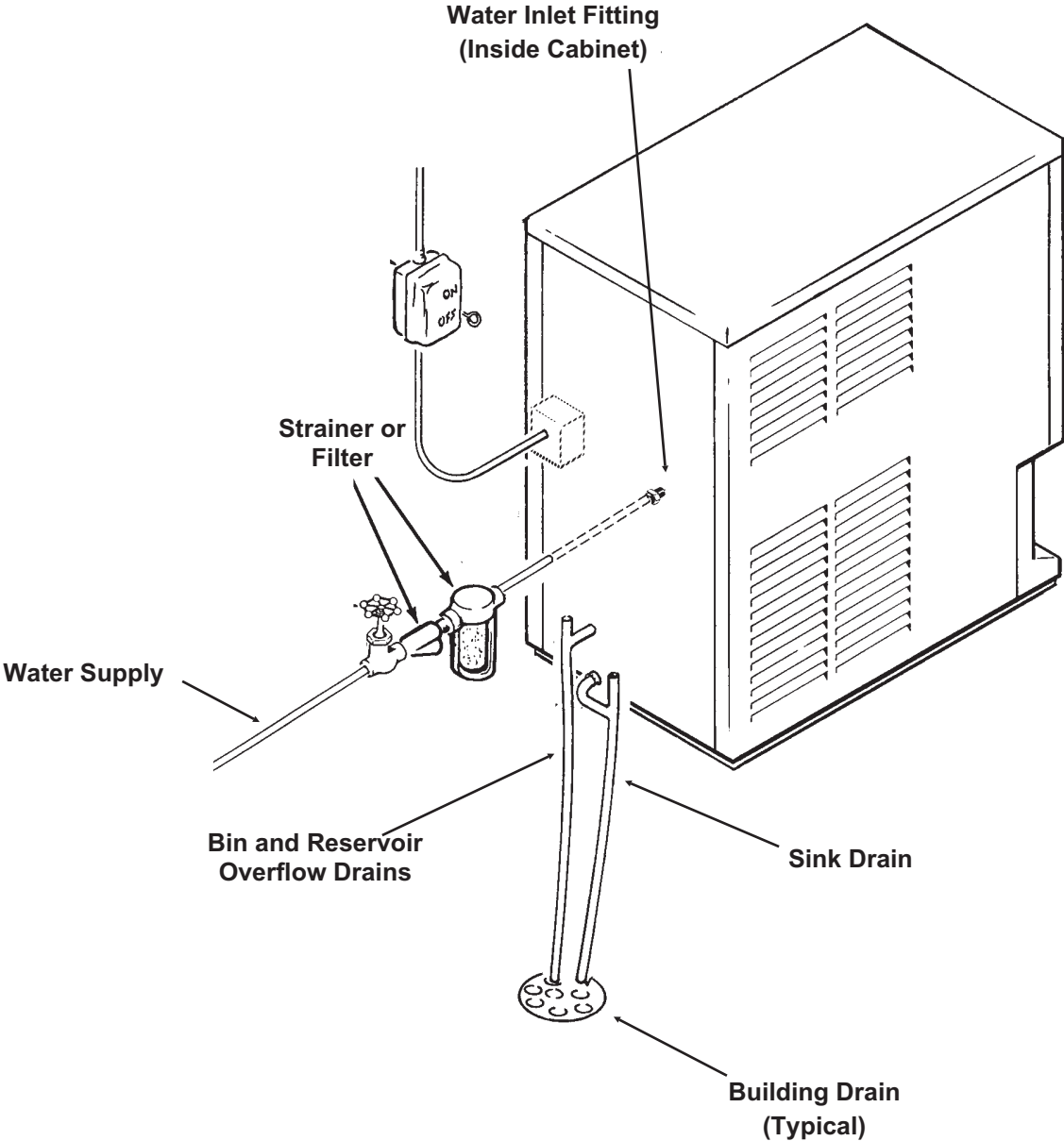
The dispenser requires a gravity drain. The pitch on the drain tubes must be at least 1/4 inch fall per foot of horizontal run. On long horizontal runs, a vent at the back of the cabinet will improve draining, and is recommended.

There are two drains to connect: A sink drain, a 7/8" plastic tube; and the bin drain, a 5/8" plastic tube. Install rigid tubing between the machine and the building drain. Route the drains separately to the building drain.

**Water supply:**

Connect cold, potable water to the machine. A hand valve near the location is recommended. A water filter is also a good idea. Follow all local codes.

**FOLLOW ALL APPLICABLE LOCAL, STATE AND NATIONAL CODES**



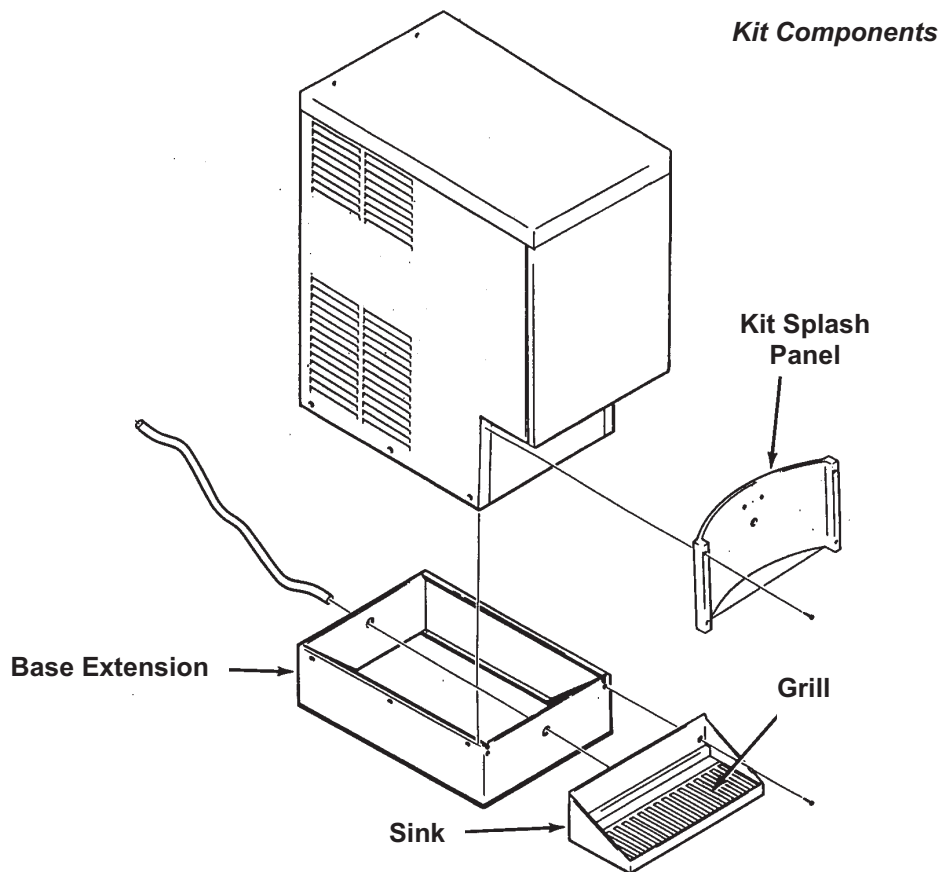
# FDE474

## Optional Kits:

---

Sink Extension (KDE1 enamel or KDE1SS stainless steel):

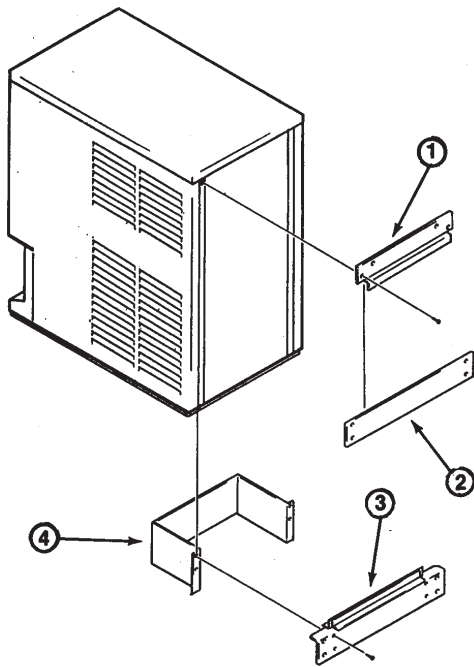
1. Remove the standard sink and splash panel from the cabinet.
2. Remove the glass filler lever and holder.
3. Remove drain tube from standard sink.
4. Install drain tube onto replacement sink.
5. Remove rubber gasket from the base of the dispenser.
6. Mount the dispenser on the base. The flange of the dispenser base fits in slots provided in the base extension. Secure the base extension to the sink with the 3 screws on the front side panel.
7. Mount the sink in place and secure with two machine screws.
8. Install splash plate to cabinet with four machine screws. The splash plate fits over the sink.
9. Install the glass filler lever and holder to the splash panel.
10. Install grill.



## Wall Mount Kit (KWB1):

### Contents:

1. Top Case Hanger Bracket: Attaches to the frame of the dispenser.
2. Top Wall Bracket: Mounts to the wall and engages the top case hanger bracket to support the dispenser.
3. Bottom Wall Bracket: Mounts to the wall and spaces the base of the dispenser away from the wall.
4. Bottom Fittings Cover: Fastened to the bottom wall bracket to hide the utility connections.



**Installation:** Check building wall for the strength required to support a machine of the FDE474's weight and size. Note that if at least 6" of space is not left above the machine, cleaning and most service of the machine will require removal of the machine from the wall mounts. All utilities are to be routed thru the base. The back panel is not used when the machine is hung from the wall.

### Top Case Hanger Bracket

1. Remove top panel.
2. Remove back cover and save the 4 screws for mounting the bracket.
3. Drill out the holes (as marked in the illustration) in the back of the frame with a 3/16" drill bit.
4. Place top hanger bracket on the inside of the frame and fasten to the frame with the four screws removed in step 2.

### Top Wall Bracket:

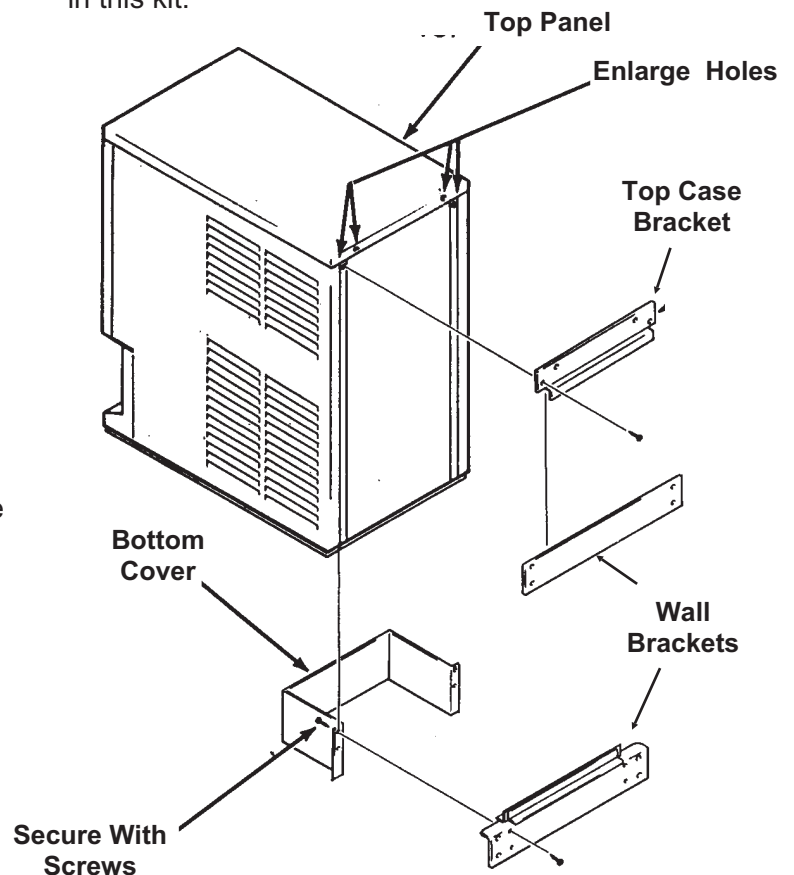
1. Hold the bracket on the wall where it will be mounted.
2. Mark on the wall the positions of the holes in the bracket.
3. If needed, drill pilot holes for the fasteners.
4. Secure the bracket to the wall with fasteners of sufficient strength to hold up the FDE474.

### Bottom Wall Bracket:

1. Lift up and hang the dispenser from the top wall bracket.
2. Position the bottom wall bracket so that the molding on the dispenser base bottoms in the channel of the wall bracket.
3. Secure the bracket to the wall.

### Bottom Fitting Cover:

1. Connect electrical power, water inlet, bin drain and sink drain of the dispenser thru the bottom of the case.
2. Secure bottom fitting cover to the bottom wall bracket with the four sheet metal screws provided in this kit.



# FDE474

## Final Check List & Initial Start Up

---

1. Is the machine located indoors where the temperature limitations are not exceeded?
2. Is there at least 6" clearance on both sides of the cabinet for adequate air flow?
3. Is the water supply adequate, and has a shut off valve been installed?
4. Is the cabinet level?
5. Have all of the electrical and drain connections been made?

### Initial Start Up

1. Remove 2 screws at the back of the top panel and remove the top panel.
2. Remove screws and the side panels.
3. Open the water supply shut off valve.
4. Watch the water fill the reservoir. Check that it flows in and fills the reservoir near to the mark molded into the side of the reservoir. Check that the float shuts off the water flow when the tank is full. Check for leaks. Tighten hose clamps as needed.
5. Plug the unit in or switch on the electrical power. After a few seconds the machine will start.
6. Let the machine operate, listen for any unusual noises. If needed, reposition tubing & panels to eliminate vibration.  
After the unit has been operating for about 10 minutes, there should be enough ice in the bin to test the dispense system.
7. Using a container, push the glass filler lever in and see that ice is dispensed (the bin drive motor continues to run as long as the glass filler lever is pushed in).
8. Move the water switch (rocker switch on the front panel) to ON. Then use a container to push in the glass filler lever. Both water and ice should be dispensed.
9. Pour water into the sink and check that the drain does not leak but drains the water rapidly.
10. Explain to the user the maintenance requirements and operation of the machine.
11. Fill out the Warranty Registration and Customer Evaluation form. Mail it to Scotsman.
12. Leave the service manual with the owner/user and explain who should be called if service is needed.



## User Operation

---

The FDE474 is an automatic ice vending machine. All it requires is cool air, clean water and an adequate supply of electrical power.

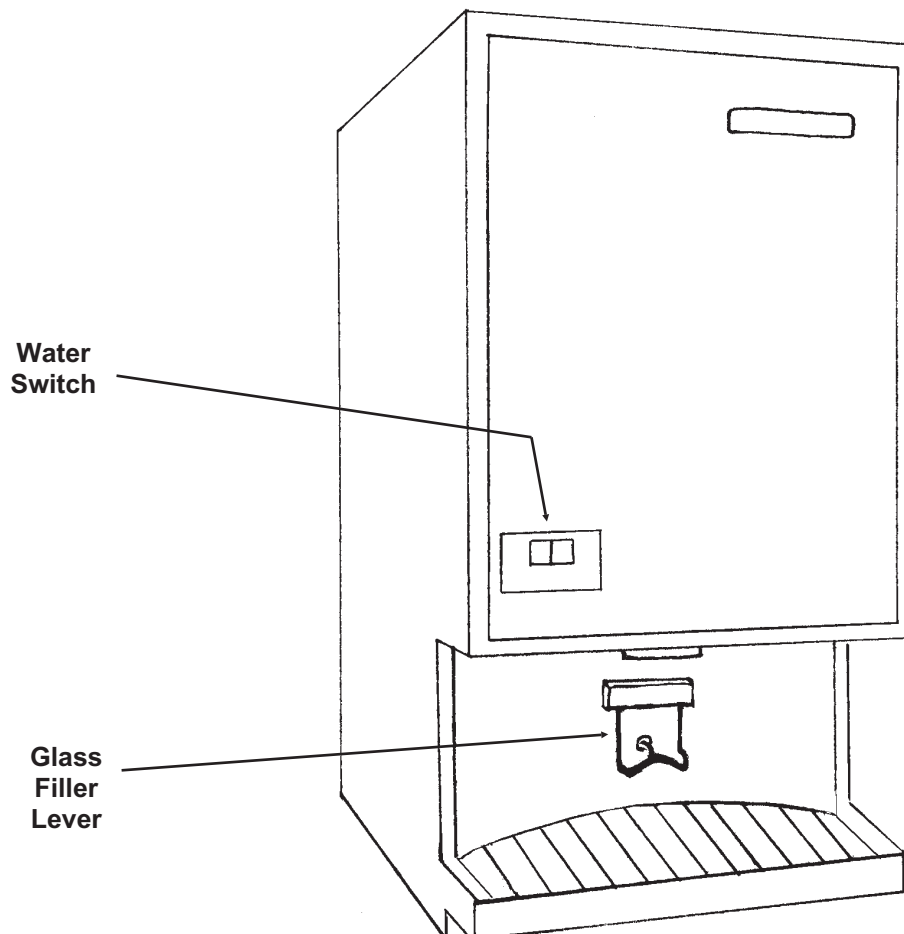
### To Vend Ice:

Push the glass filler lever in and hold it in until the container is full of ice. Do NOT overfill the container or a build up of ice in the sink or a back up of ice in the spout will occur.

### To Vend Ice and Water.

Switch the Water Switch to ON. Push in the glass filler lever; water and ice will be dispensed into the container below the spout. Note: The water is NOT cooled, it is the same temperature as the building supply water.

**Daily Maintenance:** Pour hot water into the sink to flush out any debris or build up. Wipe the cabinet off, wash the sink and grill to keep minerals from accumulating.



# FDE474

## Component Location & Function

**Evaporator.** This is a vertical cylinder full of water and refrigerated. Also in the cylinder is a slowly rotating auger. The auger forces the ice up the evaporator walls and compresses it at the top. The resulting flaked ice then falls by gravity into the ice storage bin.

**Water Reservoir.** The water reservoir contains the inlet float valve and the water level sensor. The float valve controls the flow of water into the reservoir, and the water level sensor will stop the ice maker if the water supply fails.

**Ice Storage Bin.** The ice storage bin is an insulated plastic container that is open at the top and has a spout at the bottom. There is a rotating ice vane inside the bin that causes the ice to be swept over the spout and dispensed. The vane is rotated by a gear motor at the top of the bin.

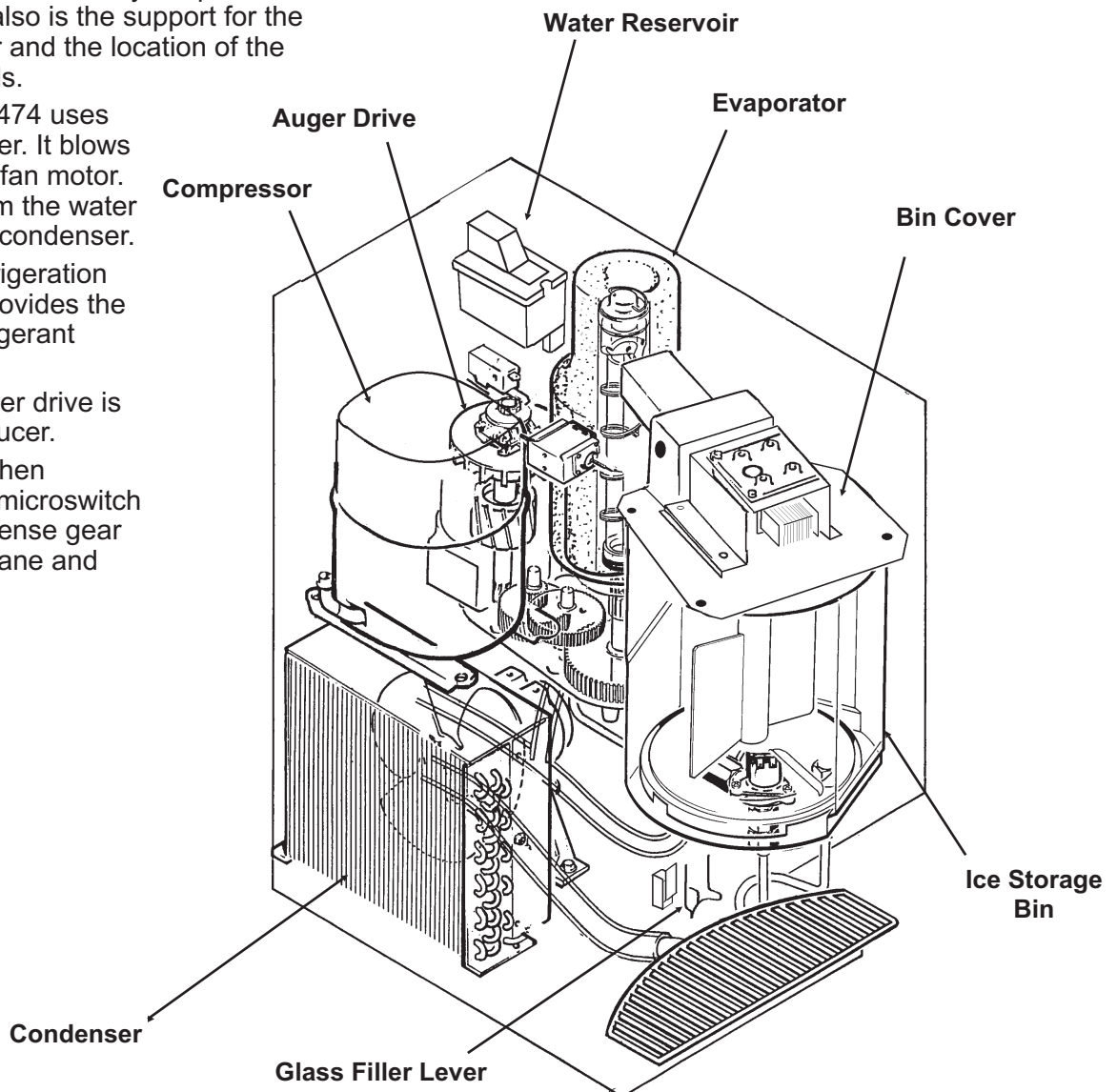
**Bin Cover.** The bin cover not only keeps dirt from the ice storage bin, it also is the support for the dispense gear reducer and the location of the electric eye bin controls.

**Condenser.** The FDE474 uses an air cooled condenser. It blows air out, away from the fan motor. The heat removed from the water is exhausted from the condenser.

**Compressor.** The refrigeration system compressor provides the force to move the refrigerant around the system.

**Auger Drive.** The auger drive is a direct drive gear reducer.

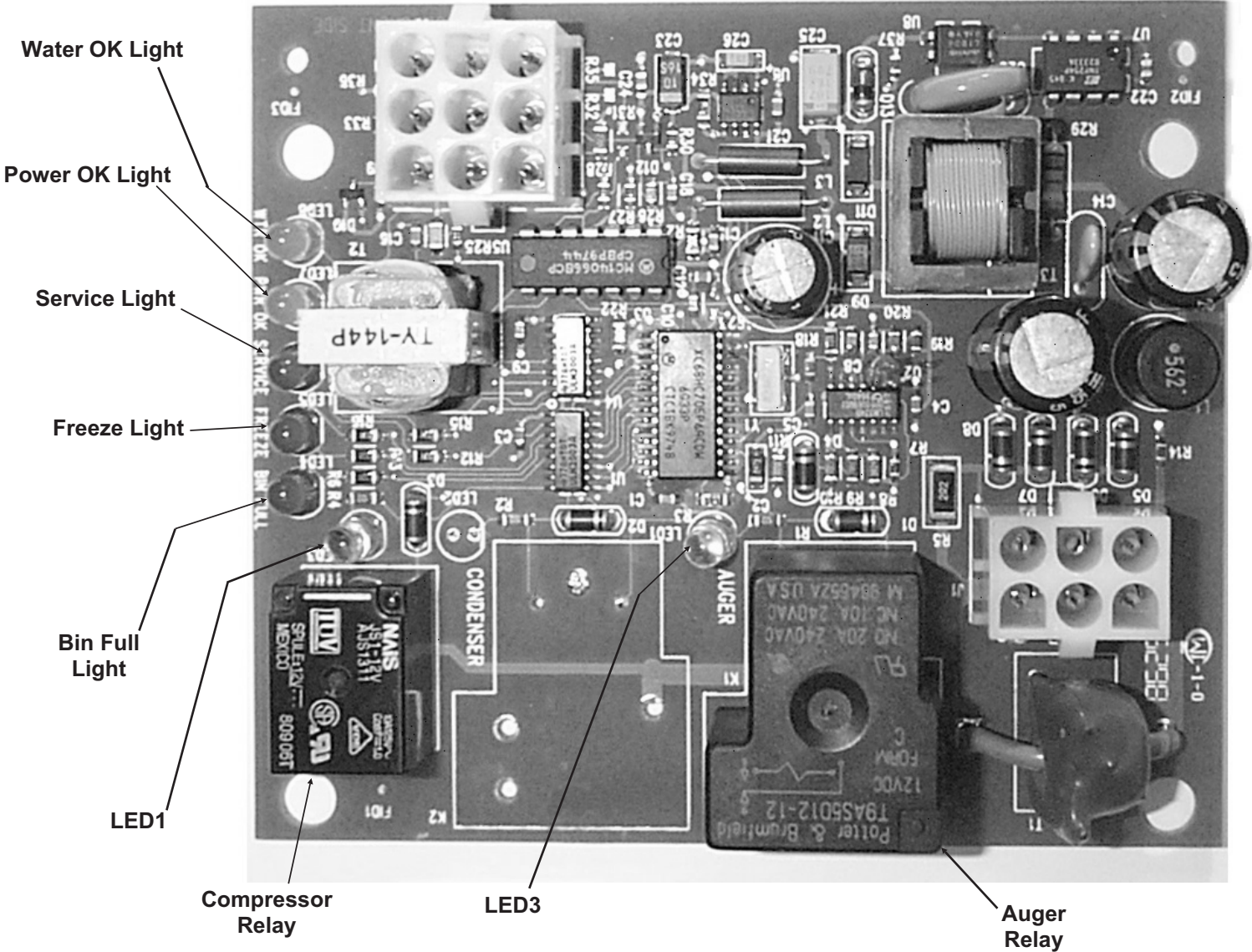
**Glass Filler Lever.** When pushed in, it moves a microswitch which causes the dispense gear reducer to rotate the vane and dispense the ice.



# Component Description: Control Box

**Circuit Board:** Controlling the ice machine through sensors and relays. The sensors are for ice level and water level. The relays are for the gear motor (with a built in time delay to clear the evaporator of ice when the unit turns off) and for the compressor.

Control Board



# FDE474

## Electrical Sequence

---

There are 7 indicator lights on the control board:

- **WTR-OK.** Water OK. Normal = Glowing. Glows when there is water in the reservoir.
- **PWR-OK.** Power OK. Normal = Glowing. Glows when the control board has power **and** is functional.
- **Service.** Normally Off.
- **Freeze.** Normally Glowing when making ice.
- **Bin Full.** Normally Off when making ice.
- **LED1.** Normally Glowing when making ice.
- **LED3.** Normally Glowing when making ice.

Connecting power to the machine does the following:

- The PWR-OK light glows.
- If there is water in the reservoir the WTR-OK light glows.
- After 10 seconds the Freeze, LED1 and LED3 lights glow and the machine starts up.

### Start Up:

- The compressor relay and auger motor relay become energized, connecting power to the windings of the auger motor and contactor coil.
- The contactor is energized, connecting power to the compressor, and the compressor starts.
- During normal operation ice passes between the ice level sensors but only interrupts their infrared beam momentarily. The bin full light remains off and the machine stays on until ice builds up in the bin and blocks the path between the sensors for 6 seconds or longer. When that occurs the bin full light glows and the machine shuts down.

### Ice Vending

When the glass filler lever is pushed in the vend switch closes, connecting power to the vend drive motor.

### Shut Down:

- The board's compressor relay opens, LED1 goes out.
- The external compressor relay opens
- The compressor stops
- The auger motor stays on for 1 more minute, clearing out ice in the evaporator, and then
- The auger motor relay opens, LED3 goes out and the auger motor stops.

The compressor will not restart until 2 minutes or more have passed after the last shut down.

If the path between the ice level sensors remains clear for more than 10 seconds the ice machine will restart.

Another purpose of the control board is to turn the machine off when necessary:

- When the water level in the reservoir falls below the water level sensor's tip, the WTR-OK light goes out and the machine shuts down. When water refills the reservoir the WTR-OK light glows and the machine starts up again.
- If the auger drive motor current becomes excessive the compressor and auger drive motor will be switched Off and the Service light will blink. The control board will restart the auger drive motor in 4 minutes. If during the first 60 seconds after restart the auger motor current stays within limits, the compressor is restarted and the machine returns to normal operation. If the current is excessive within 60 seconds after the restart, the process will be repeated once more. If after that try the current is still excessive the machine shuts down and must be manually reset. The service light will then be glowing continuously.

**To Reset: Disconnect and reconnect electrical power**

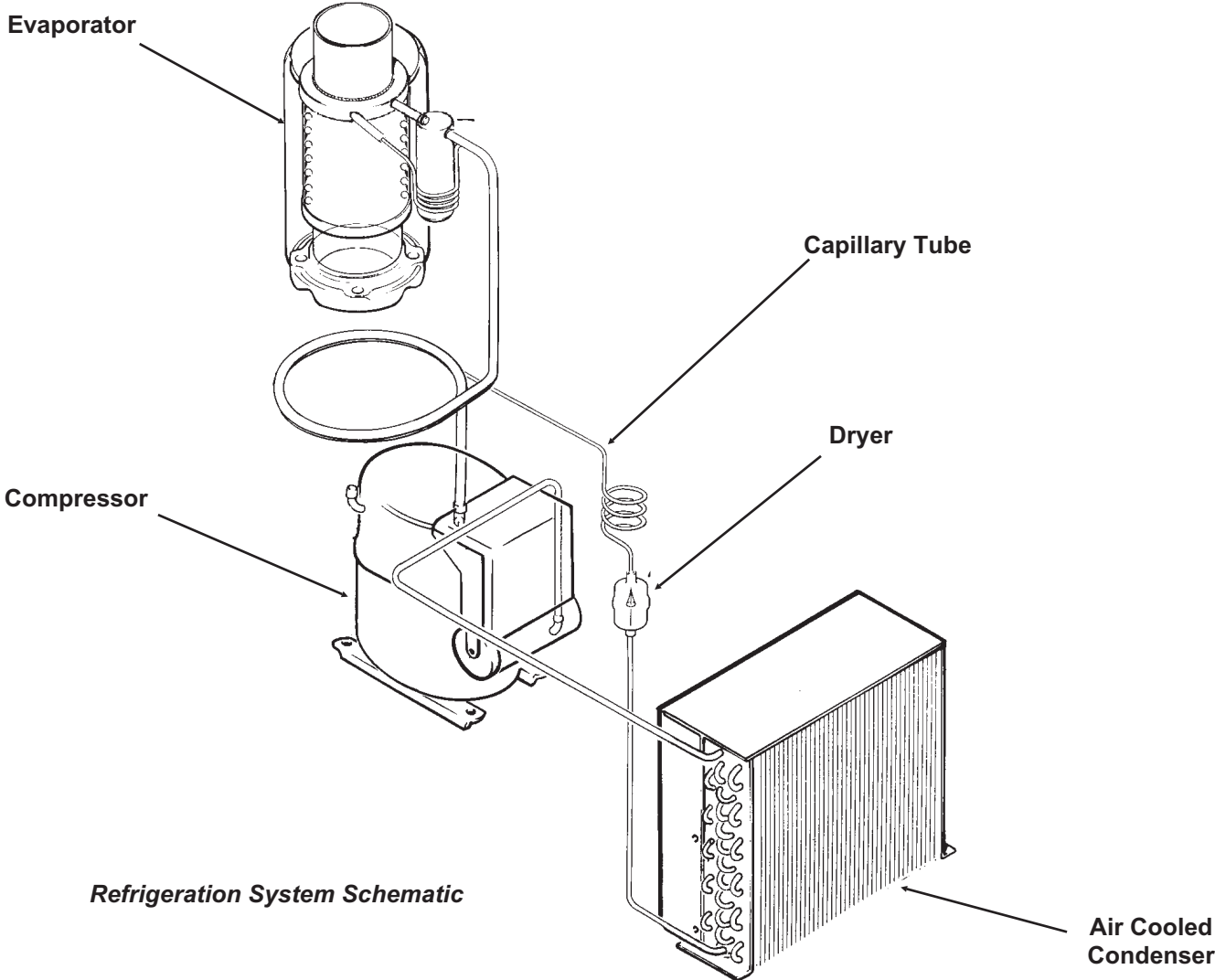
# Refrigeration System Operation

The FDE474 uses a forced draft condenser, capillary tube and hermetic compressor. The system uses R-134a as a refrigerant. High pressure, high temperature refrigerant is forced thru the condenser where it discharges enough heat to condense. The high pressure liquid refrigerant then passes thru the capillary tube which causes a pressure drop in the evaporator. As the high pressure liquid refrigerant moves into the evaporator's area of low pressure, the warm water and low pressure cause the refrigerant to evaporate and absorb heat from the metal walls of the evaporator. After the refrigerant has flowed thru the evaporator it goes back to the compressor thru the suction line as a low pressure vapor. At the compressor the cycle is repeated.

The FDE474 uses a low side pressure control as a safety, it will shut the system down if the suction pressure is too low for reliable operation.

### System Characteristics:

- Typical Low Side Pressure: 13 - 14 PSIG
- Typical Discharge Side Pressure: 135 - 175 PSIG
- System Refrigerant Charge: 14 ounces of R-134a



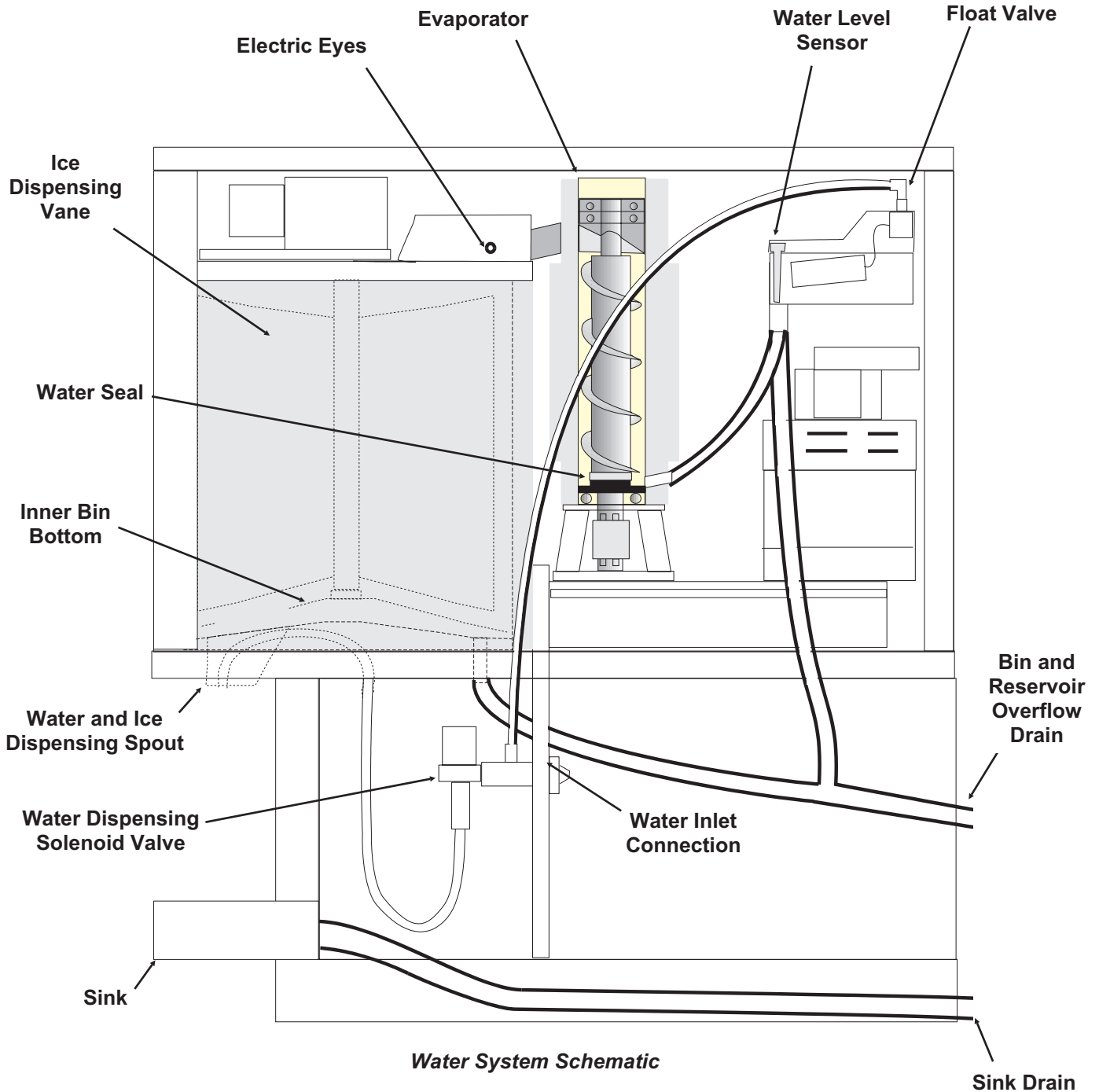
Refrigeration System Schematic

# FDE474

## Water System Operation:

The water system consists of a float valve, reservoir and water dispense solenoid valve. The water level in the reservoir tank is the same level as that inside the evaporator. Building water supply flows to both the float valve and the solenoid. The float valve will open to add water to the reservoir as water flows out to the evaporator. The solenoid will only open if the water switch is closed and the dispense lever is pushed.

Inside the evaporator there is a water seal. This seal is the type that has a rotating half and a stationary half. The area where the two seals touch are smooth flat surfaces. When the auger is installed in the evaporator, it forces the rotating half of the seal against the stationary half. The stationary half is spring-loaded and provides a firm pressure against the auger portion of the seal.



## Mechanical Operation

---

### **General:**

The FDE474 makes, stores and dispenses ice. It also dispenses water. The ice making portion of the machine produces flaked ice at about 32°F. The ice falls thru a chute into the dispensing bin. Above the cylindrical bin is a dispense drive motor and electric eyes. The drive motor is connected to an ice vane in the bin. When the user pushes in the glass filler lever, the dispense drive motor rotates the vane and the ice. There is a slot in the base of the bin, located just above the vend spout and glass filler lever. When the ice moves over that slot, some of the ice on the bottom of the bin falls thru the slot, into the chute and fills the container.

### **ON/OFF Control:**

Flaked ice is produced by the ice maker until ice builds up between the electric eyes. When the electric eyes can no longer "see" each other, they send a signal to the control board to shut the machine off. The refrigeration compressor stops but the auger drive motor will continue to operate for about 2 minutes to clear the evaporator of ice.

### **Water Control:**

Because water is such an important requirement for making ice, a water level sensor has been placed in the reservoir. If the water supply to the machine should fail, the water level sensor will send a signal to the control board to shut down the machine.

### **Refrigeration:**

The refrigeration system uses a hermetic compressor (specifically designed for R-134a), forced draft air cooled condenser, capillary tube and vertical flaked ice evaporator. Inside the evaporator is a slowly rotating auger. The auger is supported by bearings at each end, and there is a face-type water seal above the bottom bearing. The auger is driven by a 1/10 HP direct drive gear reducer. The auger drive motor has a speed operated switch on it that will keep the compressor from operating if the auger motor is not turning at full speed.

### **Water System**

Water flows from the building supply to the reservoir and to the electric solenoid valve. Water from the reservoir is used to make ice. Water the flows thru the solenoid is dispensed.

The bin, sink and reservoir overflow all have drains.

# FDE474

## Maintenance:

---

Although the ice in this dispenser is completely untouched, the water and ice vending systems will need to be periodically sanitized and de-mineralized. The air cooled condenser will also need to be kept clean.

Schedule the sanitation, cleaning and de-mineralization on a regular basis to keep the ice clean and the machine operating efficiently.

## Sanitation and Cleaning

### Water System:

This ice machine requires periodic sanitation and de-mineralization.

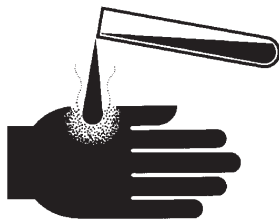
1. Vend all ice from the machine.
2. Remove top and right side panels.
3. Unplug or disconnect electrical power.
4. Shut off water supply.
5. Drain reservoir.
6. Mix 8 ounces of Scotsman Ice Machine Cleaner and 3 quarts of hot (95°F. -115°F.) potable water.
7. Pour the water into the reservoir.
8. Wait 15 minutes for the cleaner to dissolve the minerals inside the evaporator.

**Scotsman Ice Machine Cleaner contains acids. These compounds may cause burns.**

If swallowed, DO NOT induce vomiting. Give large amounts of water or milk. Call Physician immediately. In case of external contact, flush with water.

**KEEP OUT OF THE REACH OF CHILDREN.**

**⚠ WARNING**



9. Plug in the machine or reconnect electrical power.
10. As the machine operates, pour in the balance of the cleaning solution.
11. Reconnect water supply, operate the machine for 15 more minutes, then switch it off.

12. Repeat steps 3-11, except substitute a locally approved sanitizing solution for the cleaner. A possible sanitizing solution may be obtained by mixing 1 ounce of household bleach with 2 gallons of clean, warm (95°F.-115°F.) water.

13. Unplug or disconnect electrical power.

14. Remove bin top, pour in warm potable water to melt out any ice.

15. Pull out the vane and bin bottom from the bin.

16. Thoroughly wash the bin's interior, bin top interior, spout, ice vane and bin bottom with the sanitizing solution. Pour some down the bin drain.

17. Reassemble the bin bottom, vane and bin cover.

18. Wash the sink area with the sanitizing solution and pour sanitizing solution down the sink drain.

19. Replace all panels and reconnect water and electrical power.

### Air Cooled Condenser:

1. Disconnect electrical power.
2. Remove top panel
3. Remove right and left side panels.
4. Use pressurized air to blow the lint from the outside of the condenser in towards the fan motor. A vacuum cleaner hose placed on near the fan motor should pick up most of the dust. Check for interior dirt. If needed, use coil cleaner to de-grease the condenser.
5. Replace all panels and reconnect electrical power.



# Auger and Bearing Inspection

While in most areas regular in-place cleaning with Scotsman Ice Machine Cleaner will be adequate to keep the interior of the evaporator free of excessive mineral build up, some water conditions may require more intense methods. In addition, the auger bearings require physical inspection to determine that they are not wearing. This physical inspection is recommended twice per year for the top bearing and once per year for the auger and both bearings.

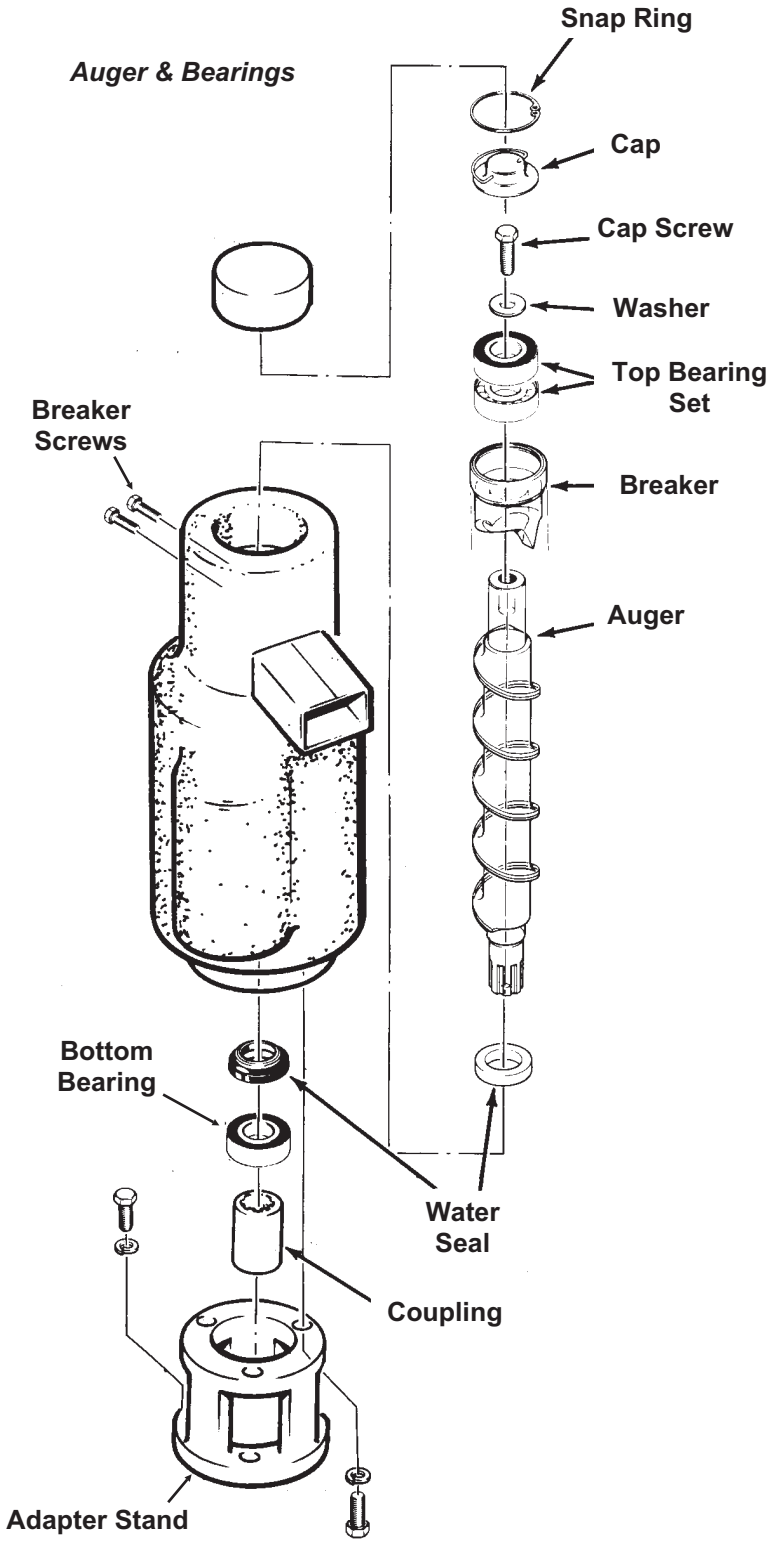
Whenever the auger is removed, replacement of the water seal is recommended.

If a bearing requires replacement, the other bearing must also be replaced.

- 1. Unplug or disconnect electrical power.
- 2. Shut off the water supply.

<p><b>Rotating parts hazard.</b> Disconnect Electrical Power Before Beginning.</p>	
--	---

- 3. Remove top panel.
  - 4. Remove right side panel.
  - 5. Drain the evaporator and reservoir.
  - 6. Remove foam cap on top of evaporator.
  - 7. Remove 2 permagum plugs from the side of the evaporator.
  - 8. Remove 2 screws (screwheads were covered by the permagum).
  - 9. Pull up on the pull ring to remove the auger. If it is difficult to pull:
    - A. Remove the breaker cover by taking the snap ring out.
    - B. Unscrew the auger bolt.
    - C. Use threaded rod or a slide hammer puller and screw into the auger, slide the weight quickly up against the stop to remove the auger.
- If the auger still will not move, bearing replacement is mandatory. See Bearing Removal and Replacement.



# FDE474

## Inspection: Auger

The auger is made of stainless steel. It has a polished surface that may be either shiny or dull, but must be smooth. After removal, allow the auger to dry to inspect for scale. If mineral scale is found on the auger's surface, clean off the auger with ice machine cleaner and a scrubbing pad.

Remove the water seal and clean off the shoulder of the auger.

**Bearings:** The top bearing should spin freely with no rough spots. If it feels rough when spun by hand, replace it. There should be minimal rust or dirt. If in doubt, replace the bearing.

**Note:** The top bearing used in the FDE474 is a "directional" bearing. Note which way the inner race is configured and install into the breaker. The breaker is also available as a replacement part with the top bearing already installed.

The bottom bearing must be removed from the evaporator when replacing the water seal.

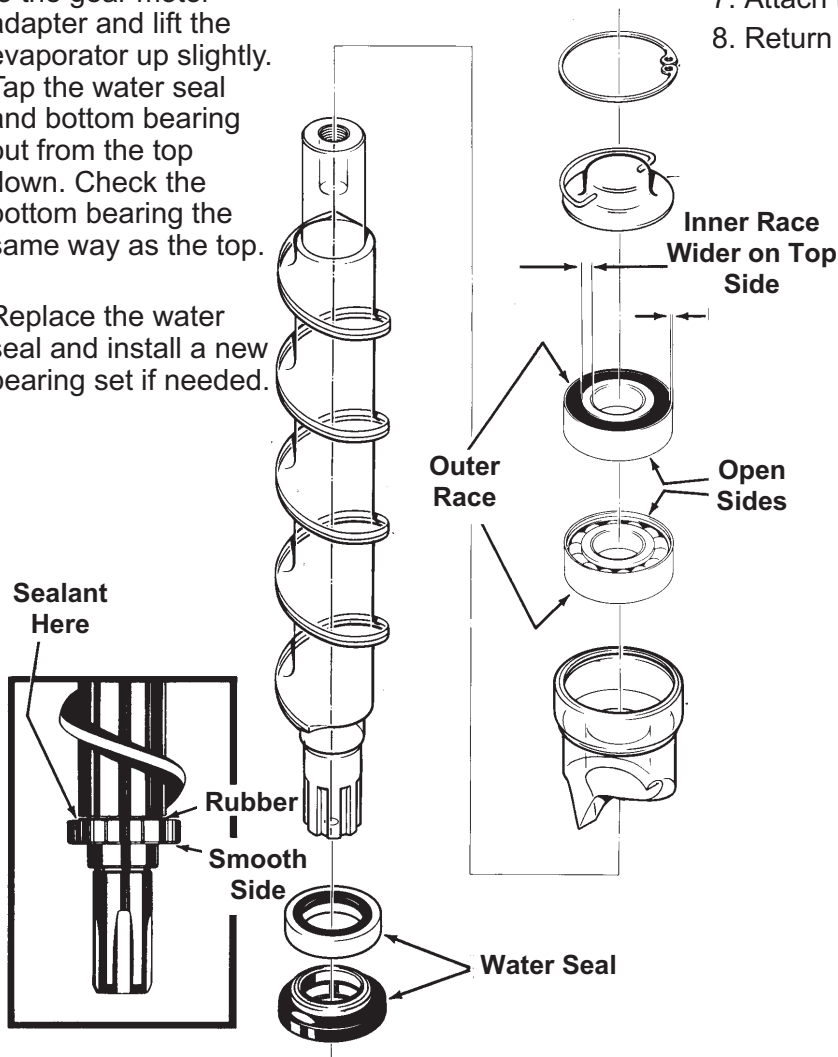
Remove bin cover.

Remove the three bolts holding the evaporator to the gear motor adapter and lift the evaporator up slightly. Tap the water seal and bottom bearing out from the top down. Check the bottom bearing the same way as the top.

Replace the water seal and install a new bearing set if needed.

### To replace the water seal:

1. Remove old rotating half from the auger. Clean the mounting area.
2. Place a bead of food grade sealant (such as Scotsman part number 19-0529-01) onto the shoulder of the auger where the rotating half of the water seal will be installed.
3. Wash the new seal in water. While wet, slip it onto the bottom of the auger, rubber side toward the auger. Push up until seated against the sealant. Do not allow any sealant to come into contact with the face of the seal.
4. Wash the stationary half the water seal with water. Slip it up into the bottom of the evaporator until the bottom of the seal is inside the evaporator about 1/4".
5. Push the bottom bearing against the water seal until the bottom bearing is inside the evaporator about 1/16".
6. Replace the evaporator on the adapter, and re-attach the stand using the original bolts.
7. Attach the auger to the top bearing and breaker.
8. Return the auger to the evaporator and slide it down until the splines touch the coupling.
9. Rotate the auger until the coupling splines align with the auger.
10. Push the auger down, and rotate the breaker until the screw holes line up with the pilot holes in the evaporator.
11. When the auger is completely seated, reinstall the breaker screws.
12. Replace permagum and foam top.
13. Switch on the water supply.
14. Check bin cover for electrical grounds and switch on the electrical power.
15. Observe operation. The unit should make minimal noise while producing ice. Catch first 2 minutes of ice and discard it.
16. Replace the bin cover and all panels.



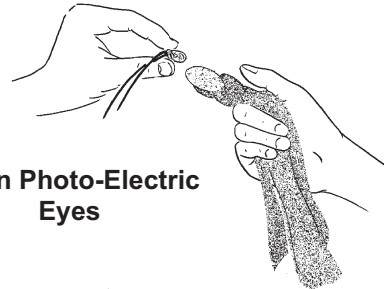
## Inspection:

### Photo-Electric Eyes

The photo electric eyes used to “see” the ice build up in the top of the bin cover must be clean to get a good “look” at the ice. If clouded by mineral scale, the eyes will cause the ice machine to shut off and stay off.

To clean the photo-electric eyes.

1. Remove the top panel.
2. Pull both of the photo-electric eyes out of their rubber grommets.
3. Wash both eyes with a clean cloth dipped in Scotsman Ice Machine Cleaner.
4. Wash the eyes off with clean water.
5. Replace the eyes in the grommets
6. Replace the top panel



### Water Level Sensor

The water level sensor may not shut the ice machine off when the reservoir goes dry if there is a film of mineral scale on the probe tip.

1. Remove the top panel.
  2. Remove the reservoir cover.
  3. Pull the water level probe up and out of the reservoir.
  4. Carefully wipe the tip of the probe with a clean cloth. Ice machine cleaner may be needed.
- Note: The tip is made of glass.
5. Reinsert the water level sensor in the reservoir.
  6. Replace the reservoir cover and the top panel.



Water Level Probe,  
keep the tip clean.

### Coupling

Use the grease zerk on the side of the coupling to add grease once per year.

That concludes normal maintenance. If the fan motor has an oil plug, it may be oiled after 10 years of operation.

# FDE474

## Service Diagnosis

PROBLEM	POSSIBLE CAUSE	PROBABLE CORRECTION
No ice is dispensed.	No ice in bin due to:	
	• No electrical power	Check/restore power
	• Overuse	Recheck ice needs vs. machine capacity.
	• Water supply turned off	Check water filter/hand valve/float valve
	• Bin controls dirty	Check & clean bin control (electric eyes)
	• Water sensor dirty	Check & clean water sensor
	• Control system malfunction	Check control system
	• Auger drive motor open	Check auger drive motor
	• Centrifugal switch open	Check centrifugal switch
	• Auger does not turn	Check coupling & gear reducer
	• No refrigeration	Check refrigeration system
	Ice in bin, but will not dispense:	
	Drive motor does not turn	
	• Vend switch does not close	Check/replace vend switch
	• Dispense motor open	Check/replace dispense motor
	• Dispense output shaft broken	Check/replace output shaft
	Ice in bin, motor turns vane.	
	Ice jammed up	
	• Users held cup against dispense spout and jammed unit.	Advise owner/manager to instruct users.
	• Bin bottom slot not over spout	Check bin bottom position
	• Ice will not slide down bin wall, bin out of round.	Check bin interior wall for rough texture or out of round.
	• Sink height too small for container used	Install sink extension kit
	• Wet ice in the bin from high water level or high suction pressure	Check water level, check suction and discharge pressures

Service Diagnosis

PROBLEM	POSSIBLE CAUSE	PROBABLE CORRECTION	
Unusual noise	Mineral scale in evaporator	Clean water system with ice machine cleaner.	
	Auger coupling dry	Grease coupling	
	Auger coupling worn	Replace coupling and adapter stand.	
	Bearings worn	Replace bearings and water seal.	
	Gear motor loose on frame	Tighten bolts, check grommets	
	Low water level	Check water level in reservoir	
	Tubing vibrating	Check tubing for contact	
	Tooth on a gear missing	Check gears in auger drive	
	Compressor too loud	Replace compressor	
	Gear noise	Check gear motor for oil leak	
No water is dispensed	Water Switch in Off position	Switch to ON	
	Water switch open	Replace switch	
	Water solenoid plugged up	Clean inlet screen of solenoid	
	Water solenoid coil open	Replace solenoid	
	Vend switch open	Replace switch	
	Water turned off	Restore water supply	
Water drips from spout	Melting ice in chute	Some water dripping is normal	
	Water solenoid leaks thru	Replace solenoid	
	Ice jammed in spout	Clear ice jam, check for cause	
	Bin drain restricted	Clean drain, check bin drainage	
Ice will not stop dispensing	Vend switch stuck closed	Replace switch	
Water leaks from cabinet	Evaporator water seal worn or cracked	Replace seal and bearings	
	Tubing to evaporator leaks	Replace tubing/fittings	
	Drain leaks	Check drain tubes and fittings	
	External drain restricted	Clean out drain	
No refrigeration	Gear motor does not turn	Check motor	
	Centrifugal switch does not close	Check switch	
	Fan motor does not turn	Check fan motor	
	Lack of refrigerant	Add refrigerant, if problem is reduced, locate leak and repair it.	
	Compressor does not pump		Check/replace start capacitor
			Check/replace start relay
		Check/replace compressor	

# FDE474

## Electrical System

---

### CONTROL SYSTEM DIAGNOSTICS

The control system consists of:

- Control Board
- Water Sensor
- Ice Sensors

If the unit is OFF, check the **control board**:

1. Is the Power OK light on? If not check power to the unit. If it has power, and the Power OK light is NOT on, check the high pressure and low pressure cut outs. If they are both closed, replace the board. If the Power OK light is ON, go to the next step.

2. Is the Water OK light on? If it is, go to the next step. If not, check the water level in the reservoir. If there is water in the reservoir, check that the water sensor is plugged in. To check the **water sensor**:

A. Unplug water sensor.

B. Pull water sensor from reservoir.

C. Place one ohmmeter lead on the sensor's plug and the other on the sensor's tip. The meter should show nearly zero resistance. If it reads infinite resistance, check the tip for corrosion. If it is clean and still reads open, replace the sensor.

OR connect a copper wire to the wire where the water sensor plugs into and place the other end in

the water. The water OK light should go ON. If it does not, replace the control board.

3. **Ice sensor check.** Is the Bin Full light Off? If it is OFF and the Service light is Off, and the unit is not running, replace the control board.

If it is OFF and the auger motor is running but the compressor is not, check the compressor contactor coil.

If it is on, the ice sensors may be blocked. Remove them and check for mineral scale. Scotsman's test box can also be used to determine if the ice sensors or board are defective.

Using the tester:

A. Disconnect the ice sensors at the connection by the ice chute. Connect the LED and PHOTO TRANS wires to the control board's wires.

B. Move the Bin Full switch on the tester to Bin Full - the tester's light will blink and after a few seconds the bin full light on the control board will come on. If not, replace the board.

Move the Bin switch on the tester to Bin Empty. The light on the tester will go out, and after a few seconds the Bin Full light on the board will go out. If master switch is ON, the unit should start.

## Removal and Replacement

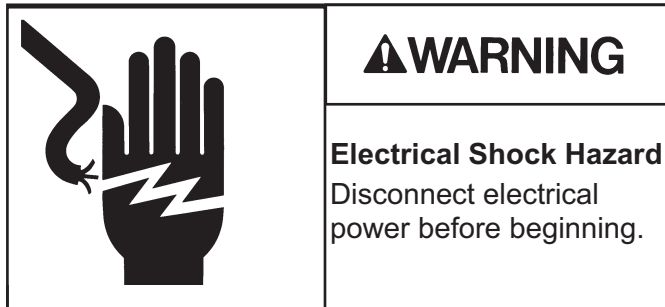
### Panels:

1. Remove two screws at the back of the top panel.
2. Lift up at the back and push the top panel forward to release it.
3. Remove 3 screws at the top, 3 screws at the bottom and 1 screw at the front edge of each side panel.
4. Push each side panel to the rear to release the panel from the cabinet frame.

### Dispensing System

The dispensing system consists of the vend switch, dispense motor, dispense vane, bin bottom and bin.

### Vend Switch

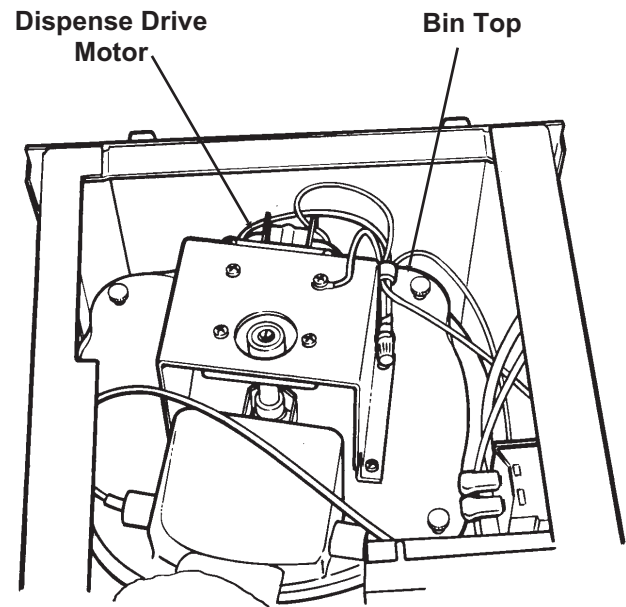


1. Disconnect electrical power
2. Remove top panel
3. Remove right side panel.
4. Mark position of switch retaining screws in the slots of the switch bracket.
5. Remove two screws holding vend switch to mounting bracket.
6. Disconnect wires from vend switch
7. Remove switch from the machine.
8. Reverse to reassemble and install in the same position as the original.

### Dispense Gear Motor

1. Disconnect electrical power.
2. Remove top panel.
3. Remove one screw holding ground strap to cabinet frame.
4. Cut off two dispense motor wire nuts.
5. Remove screws holding dispense drive gear motor to the bin top.
6. Pull gear motor off the bin top.
7. Unscrew the output shaft extension from the gear motor.
8. Remove screws holding the mounting bracket to the gear motor.

9. Reverse to reassemble, be certain that the new wire nuts are secure and that the ground strap is reattached.



### Dispense Vane

1. Disconnect electrical power.
2. Remove top panel.
3. Remove four thumb screws holding bin cover to bin.
4. Lift bin cover off bin. Set aside.
5. Grasp the ice vane and pull it straight up.
6. Reverse to reassemble.

### Bin Bottom.

Perform steps 1-5 above (to remove the dispense vane).

1. Lift bin bottom out of the dispense bin.
2. When replacing, be sure that the slot on the bin bottom is over the dispense chute (at the front).

# FDE474

## Water System

---

The water system consists of the reservoir and inlet water valve.

### Reservoir.

1. Shut off the water supply.
2. Remove the top panel.
3. Remove the right side panel.
4. Drain the water reservoir and evaporator.
5. Disconnect inlet and outlet tubes from the reservoir.
6. Remove screws holding reservoir to its mounting bracket.
7. Remove reservoir from the machine.
8. Reverse to reassemble.

### Float Valve

1. Shut off the water supply.
2. Remove the top panel.
3. Remove the reservoir cover.
4. Remove the water inlet tube.
5. Push in the mounting tabs at the back of the reservoir and lift the valve out of the reservoir tank.
6. Replace with a new valve or replace the valve plunger.

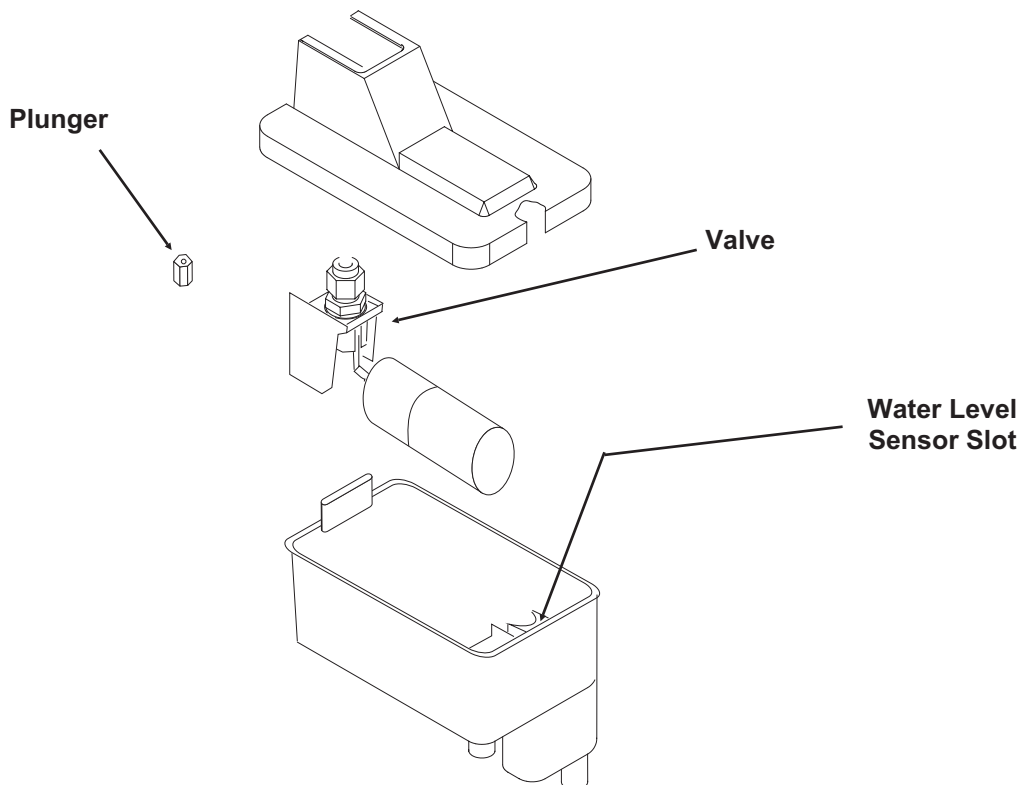
### Valve Plunger

1. After the valve has been removed from the reservoir, remove the nut holding the valve to its mounting bracket.
2. Pull out the cotter pin to release the internal valve plunger.

Note: Do not replace the plunger if the valve's seat is damaged. Replace the valve.

### Inlet Water Valve.

1. Disconnect electrical power.
2. Shut off the water supply.
3. Remove the top panel.
4. Remove the right side panel.
5. Remove wire harness from inlet water valve.
6. Remove tube connecting outlet of the valve to the dispense tube.
7. Rotate the valve to unscrew it from its inlet fitting.
8. Reverse to reassemble.





# Bearings, Water Seal and Auger

1. Disconnect electrical power.

<p><b>Rotating parts hazard.</b> Disconnect Electrical Power Before</p>	<p><b>CAUTION</b></p>
---	-----------------------

- 2. Shut off the water supply.
- 3. Remove the top panel.
- 4. Remove the side panels.
- 5. Drain the reservoir and evaporator.
- 6. Remove foam cap from the top of the evaporator.
- 7. Remove the two permagum plugs from the side of the evaporator.
- 8. Pull up on the ring to lift the auger out of the evaporator.

If the auger will not lift out:

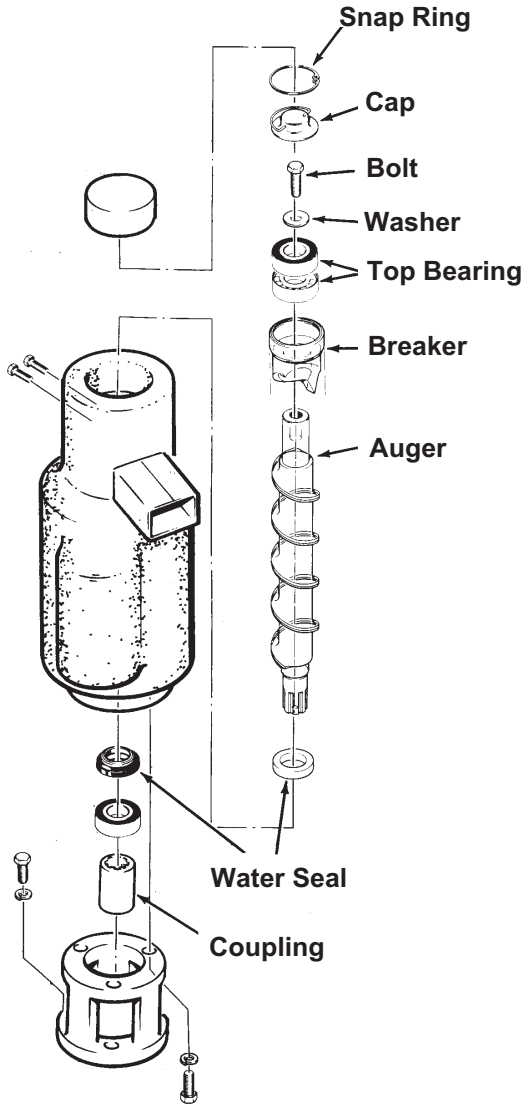
- 1. Remove snap ring holding bearing cover to breaker.
- 2. Remove bearing cover.
- 3. Unscrew bolt holding bearing to auger.
- 4. Thread in a threaded rod and weight or slide-hammer puller into the auger.
- 5. Use the threaded rod & weight or slide hammer puller to remove the auger.

Or

- 1. Remove three cap screws holding evaporator to the adapter stand.
- 2. Lift evaporator up slightly and tip the bottom out to expose the splined end of the auger.
- 3. Use a plastic mallet or dead-blow hammer to tap the bottom of the auger and force the auger up. Do NOT damage the splines of the auger or the auger will have to be replaced.

If the auger is "frozen" to the bottom bearing, do not force the bottom bearing thru the evaporator.

- 1. Remove three cap screws holding evaporator to the adapter stand.
- 2. Lift evaporator up slightly and tip the bottom out to expose the splined end of the auger.
- 3. Remove snap ring holding bearing cover to breaker.
- 4. Remove bearing cover.
- 5. Unscrew bolt holding bearing to auger.
- 6. Screw a length of threaded rod or a shoulder screw into the auger.
- 7. Tap on the end of the threaded rod to push the auger out of the bottom of the evaporator.
- 8. Replace the bearings and water seal. Replace the auger if the splines are damaged. Replace the evaporator if more than 1/3 of the vertical rifle grooves are gone. Sand or hone and sand the inside of the evaporator if mineral build up is heavy.



# FDE474

## Bearing Replacement:

### Top Bearing Replacement

If the inner race is secure, use an arbor press to push the top bearing out of the breaker. If the inner race has separated from the bearing, replace the breaker.

Insert a new bearing in the breaker, check for orientation:

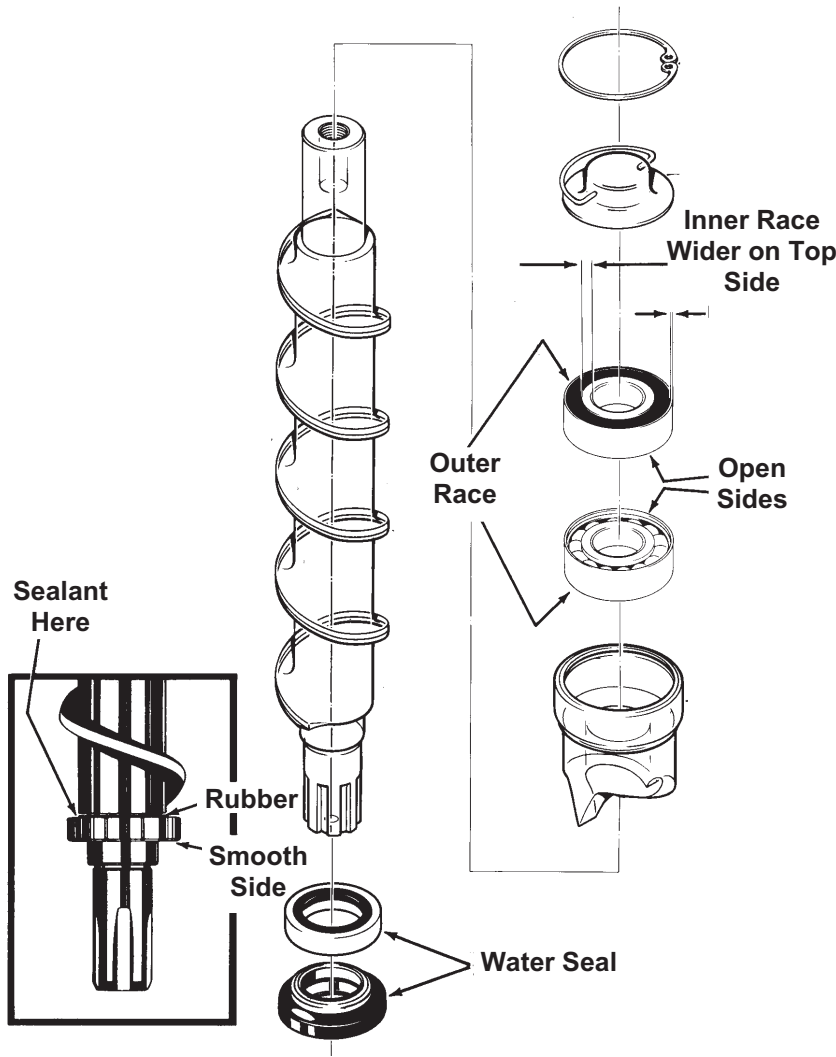
The top of the bearing has a wider inner race and a narrower outer race than the bottom.

Replace the "O" ring in the breaker.

Push the bearing in, push only on the outer race.

### Water Seal & Bottom Bearing Replacement:

1. Remove old rotating half from the auger. Clean the mounting area.
2. Place a bead of food grade sealant (such as Scotsman part number 19-0529-01) onto the shoulder of the auger where the rotating half of the water seal will be installed.
3. Wash the new seal in water. While wet, slip it onto the bottom of the auger, rubber side toward the auger. Push up until seated against the sealant. Do not allow any sealant to come into contact with the face of the seal.
4. Wash the stationary half the water seal with water. Slip it up into the bottom of the evaporator until the bottom of the seal is inside the evaporator about 1/4".
5. Push the bottom bearing against the water seal until the bottom bearing is inside the evaporator about 1/16".
6. Replace the evaporator on the adapter, and re-attach the stand using the original bolts.
7. Attach the auger to the top bearing and breaker.
8. Return the auger to the evaporator and slide it down until the splines touch the coupling.
9. Rotate the auger until the coupling splines align with the auger.
10. Push the auger down, and rotate the breaker until the screw holes line up with the pilot holes in the evaporator.
11. When the auger is completely seated, reinstall the breaker screws.
12. Replace permagum and foam top.
13. Switch on the water supply.
14. Check bin cover for electrical grounds and switch on the electrical power.
15. Observe operation. The unit should make minimal noise while producing ice. Catch first 2 minutes of ice and discard it.
16. Replace the bin cover and all panels.



# Refrigeration System

This ice machine uses R-134a as the refrigerant. This refrigerant has no chlorine, and therefore requires polyolester type refrigerant oil. This oil requires specific service procedures.

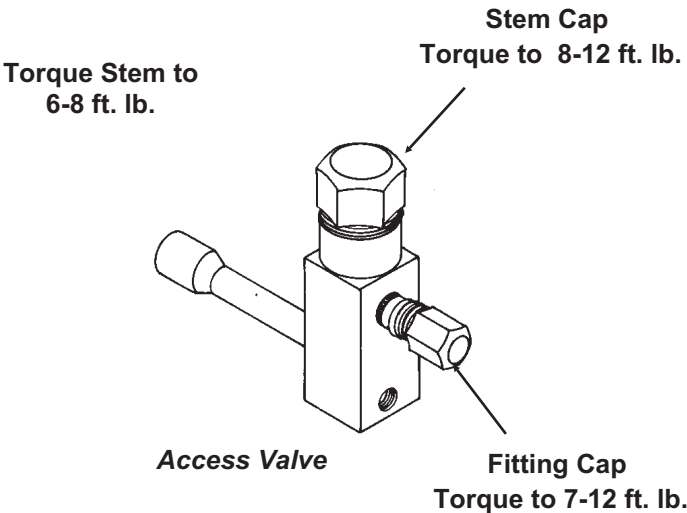
**General Service**

A HFC type liquid line drier is required. "Standard" driers may not take out enough moisture and may affect the oil additives.

The time that the refrigeration system is open to the air must not exceed 15 minutes. The oil will rapidly absorb moisture from the air, and the contact time must be kept to a minimum.

A special or very sensitive electronic leak detector will be needed to locate refrigerant leaks. Many are on the market that will sense R-134a.

The access valves must be in the closed position before the hose caps are removed. Do not remove the hose caps before checking the position of the valve. Use a 3/16" allen wrench to open and close the valve.



As with any other refrigerant, do not place pressurized air or oxygen into the refrigeration system.

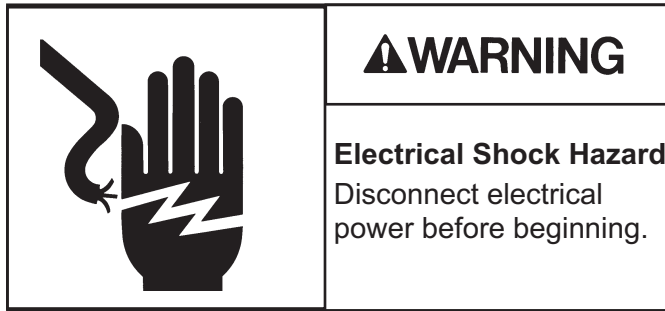
Note: The refrigeration system uses an HFC type refrigerant and MUST use an HFC type drier. Evacuation to 300 microns is recommended.

Temperature in °F.	PSIG of R-134a
-10	2.0
-6	3.7
-4	4.6
-2	5.5
0	6.5
1	7.0
2	7.5
3	8.0
4	8.6
5	9.1
10	12.0
12	13.2
14	14.4
16	15.7
18	17.1
20	18.4
25	22.1
30	26.1
31	26.9
32	27.8
33	28.6
34	29.5
35	30.4
40	35.0
45	40.0
50	45.4
75	78.7
90	104.3
110	146.4
120	171.1
130	198.7
150	262.8

# FDE474

## Gear Reducer Removal

1. Disconnect electrical power.



2. Shut off the water supply.

3. Remove the top and side panels.

4. Remove the control box cover.

5. Remove the centrifugal switch cover on the top of the auger drive motor.

6. Disconnect the electrical wires from the centrifugal switch.

7. Drain the evaporator and reservoir.

8. Disconnect the water inlet tube from the evaporator.

9. Remove the three screws holding the evaporator to the adapter stand.

10. Lift the evaporator up high enough for the auger to clear the adapter stand.

11. Remove the mounting bolts holding the gear reducer to the cabinet frame.

12. Trace auger drive motor wires back to the control box.

13. Disconnect the drive motor wires from the relay on the circuit board.

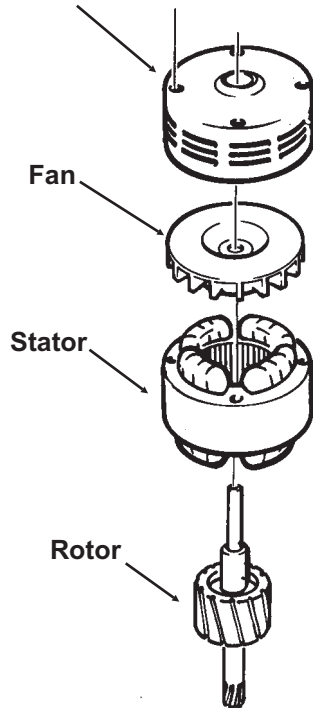
14. Pull the wires back to the auger drive motor.

15. Pull the gear reducer out the side of the cabinet to remove it from the machine.

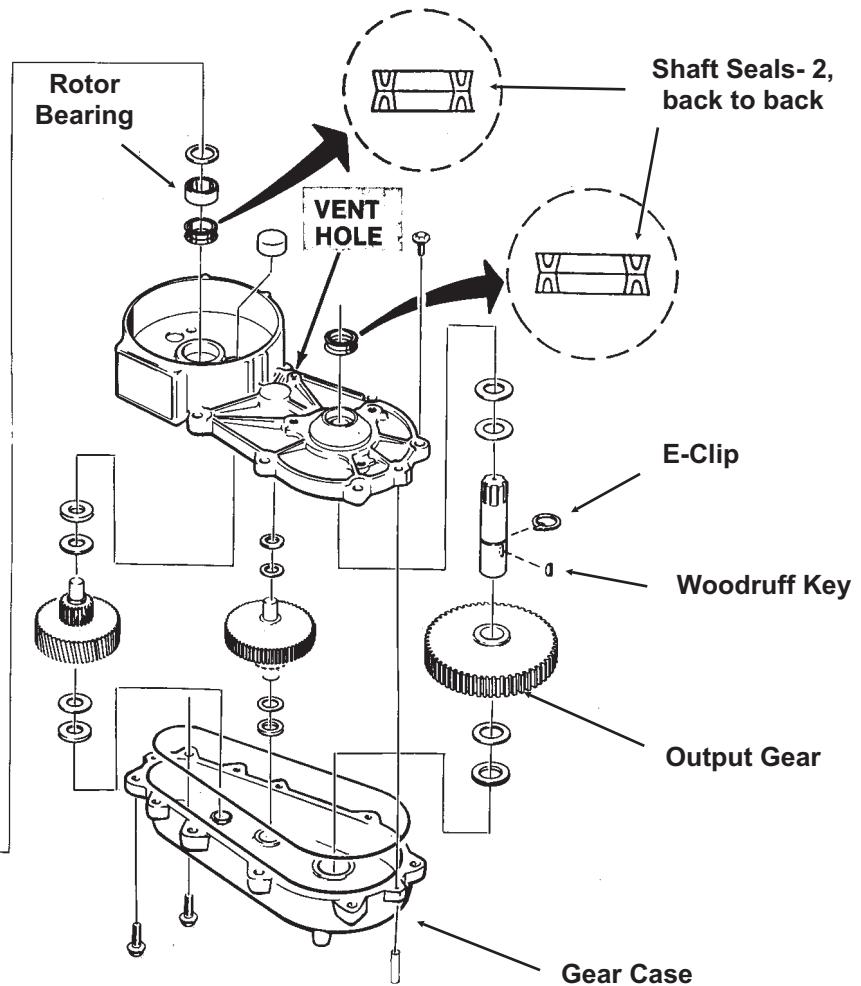
Note: If there is evidence of water near the output shaft of the gear reducer, it would be a wise precaution to pull the auger from the evaporator and check the bearings.

16. Rebuild or replace the gear reducer.

### Motor Cover & Bearing



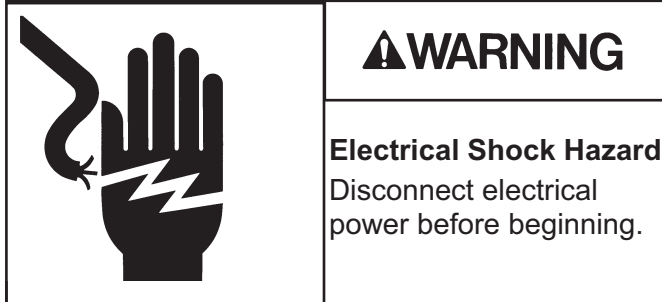
Gear Reducer Components



## Auger Drive Motor

The windings or top bearing & cover may be replaced without removing the evaporator or gear reducer from the machine.

1. Disconnect electrical power.
2. Shut off water supply.



3. Remove top panel.
4. Remove right side panel.
5. Drain the reservoir and evaporator.
6. Disconnect the reservoir outlet tube from the bottom of the reservoir.
7. Remove screws holding reservoir mounting bracket to the cabinet.
8. Lift the reservoir up & away from the top of the auger drive motor.
9. Remove the 4 bolts holding the auger motor cover to the gear reducer case.
10. Lift the plastic switch housing off the auger drive motor.
11. Hold the centrifugal switch and remove the screw holding it to the rotor of the motor.
  12. Lift the centrifugal switch up and off the motor.
13. Lift the motor cover up and off the motor.
14. Pull the fan up and off the rotor.

If the windings are to be replaced, remove the left side panel and control box cover.

1. Locate the auger drive motor wires plugged into a relay on the circuit board.
2. Disconnect the auger motor's wires and pull them back to the auger drive motor.
3. Lift the auger motor windings off the gear reducer.

If the rotor needs to be removed:

1. Run a screw into the top of the rotor.
2. Grasp the screw with a grip pliers.
3. Pull and/or tap on the pliers to pull the rotor & bearing out of the gear reducer.
4. Inspect the bearing and input seal. Replace them if worn.

Note: When the rotor is re-installed, be certain that the bearing is fully seated in the gear case.

### Gear Reducer Rebuild

1. After the gear reducer has been removed, the internal components may be inspected and/or replaced. Remove all bolts holding the two case halves together.
2. Tap against the roll pins at each end of the gear cases to split them.
3. Pry the case halves apart.
4. Check the internal condition of the gear reducer. If rusty or water is present, replace the complete assembly. The oil should be black and the proper oil level is 1/8" from the top of the biggest gear (with all gears installed). Check the input seal. The gears may be replaced individually.