

SCOTSMAN

ECLIPSE™ REMOTE COOLED MODULAR CONTOUR CUBERS



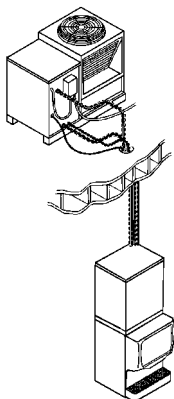
CME1386 SHOWN ON ICE DISPENSER



COMPRESSOR UNIT



REMOTE CONDENSER




Eclipse System connected to single remote condenser

Eclipse™

1300 Lb. CUBERS

VOLUME PRODUCTION • 24 HOUR

 Certified & rated in accordance with ARI standard 810-95	Use With Compressor Unit	Remote-Cooled	
		70°/50° lbs./kg.	ARI 90°/70° lbs./kg.
CME1386RLS-1	CP1316	1400/636	1237/562

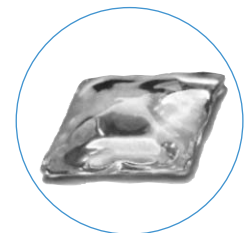
ECLIPSE™ TECHNOLOGY, CREATING SMALLER, QUIETER, MORE RELIABLE ICE MACHINES THAT ECLIPSE ALL OTHERS ON THE MARKET TODAY.

- Designed with flexibility in mind, Eclipse ice machines can be paired with any 30" or larger dispenser or storage bin to supply ice to any area of your operation.
- Eclipse technology moves the compressor and condenser on to the roof. By taking these large components out of the ice machine, you have a quiet, easy to service, high capacity unit in a 30" wide package.
- Modular, patented design features a compressor pressure regulator valve that insures optimum performance and reliability.
- Eclipse offers quick and flexible installation because it can be connected to either its own or properly sized universal rack or multi-pass condenser system.
- Equipped with CM³ technology featuring Auto IQ™ Control System, CM³ Evaporator and a rust free polyethylene base and food zone that's backed by a lifetime rust free warranty.
- CM³ technology features ReliaClean™, a simplified push button cleaning process, to help keep your ice machine clean.
- Offers the Lowest Lifetime Cost of Ownership based on low water and electrical usage.
- 14 ft. power cord on Ice Maker for quick installations.
- Now protected with AquaArmor™ utilizing AgION™, a silver-based anti-microbial compound that reduces the growth of bacteria, microorganisms, algae, mold and slime on ice machine surfaces. AgION is a trademark of AgION Technologies and is registered with the EPA.

WARRANTY – See your dealer for complete warranty details

- Limited Lifetime Rust Free Warranty on Food Zone
- 3 year parts and labor on all components
- 5 years parts and labor on the CME evaporator
- 5 years parts on the compressor and condenser

This product qualifies for the following listings:
  
 Rated in accordance with ARI standard 810-95



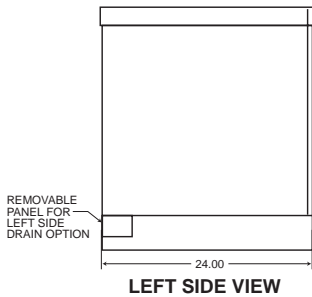
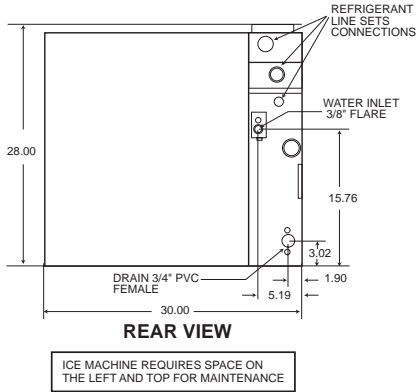
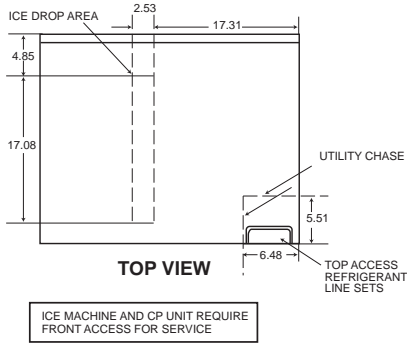
APPROX. CUBE SIZE:
 1 3/8" x 1 3/8" x 5/8" THICK

CERTIFIED

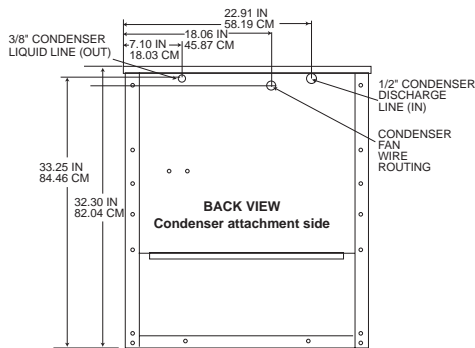
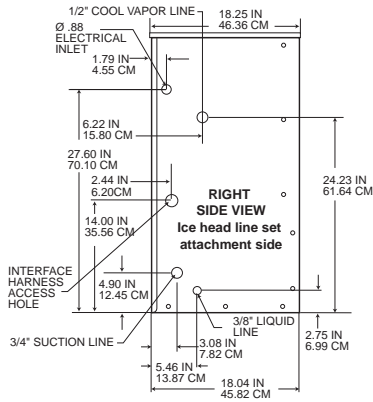
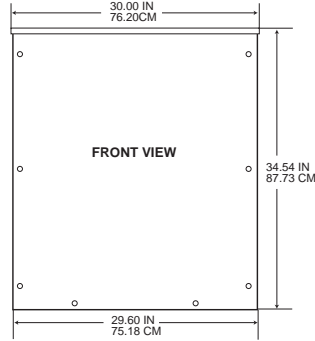
 9001:2000

Ice Machine Specifications

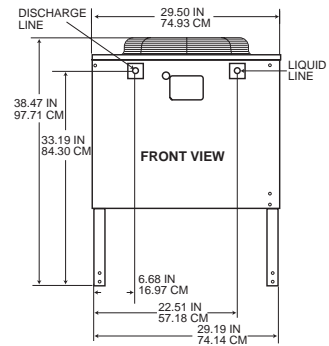
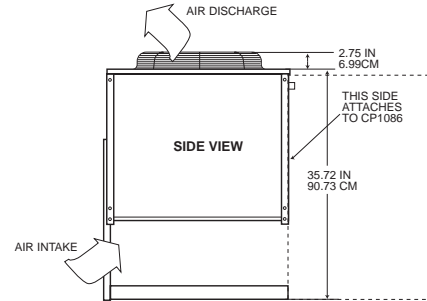
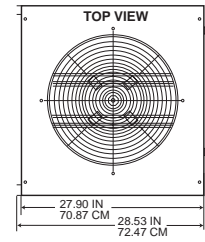
Ice Machine



Compressor Unit



Remote Condenser



AIR COOLED CONDENSER REQUIRES SPACE AT THE SIDES AND ABOVE FOR AIR FLOW

Dimensions: W x D x H RLS Unit: 30" x 24" x 28" Shipping Carton: 33-1/2" x 28" x 32-1/2" CP Unit: 29-3/4" x 18" x 34-1/2" Shipping Carton: 33" x 21" x 38"

Model Number	Condenser Type	Use With	Basic Electrical Volts/Hz/Phase	Max. Fuse Size or HACR Circuit Breaker	Comp. HP	Circuit Wires	Min. Circuit Ampacity	BTUs/Hour	Shipping Weight lbs./kg.	Power Consumption kWh/100 lbs. 90°/70°	Potable Water Usage Gal./100 lbs. 90°/70°
CME1386RLS-1A	RLS		115/60/1	15	N/A	2	CORD	N/A	150/68	N/A	18.1
	N/A	CP1316-32A	208-230/60/1	30	3.5	2	24.3	21,500	220/10	5.3	N/A
	N/A	CP1316-3A	208-230/60/3	20	3.5	3	15.3	21,500	220/10	5.3	N/A

REMOTE CONDENSER—Comes with legs. Dimensions: W x D x H : 29.75" x 28.13" x 38.5"

Model Number	Use With	Finish	Basic Electrical Volts/Hz/Phase	Max Fuse Size or HACR Circuit* Breaker	Circuit* Wires	Min. * Circuit Ampacity	Shipping Weight lbs./kg.
ERC1086-32A	CME1386RLS	GALVANIZED	208-230/60/1	15	2	1.25	116/53

* Condenser fan powered by CP unit.

PRE-CHARGED REFRIGERANT TUBE KITS: 20-Foot, 3RTE20 • 35-foot, 3RTE35 • 50-Foot, 3RTE50 • 75-Foot, 3RTE75 R-404A Refrigerant

Scotsman's ice machines are not designed for outdoor installations. Scotsman remote condensers are designed for outdoor installations.

ICE MAKER IMPORTANT OPERATING REQUIREMENTS:

	Minimum	Maximum
Air Temperatures	50°F (10°C)	100°F (37.7°C)
Water Temperatures	40°F (4.4°C)	100°F (37.7°C)
Remote Cond. Temps	-20°F (-28.9°C)	120°F (48.9°C)
Water Pressures	20 PSIG	80 PSIG
Electrical Voltage	-5%	+10%

YOU'LL VALUE THE DIFFERENCE™

775 Corporate Woods Parkway • Vernon Hills, IL 60061 • 1-800-SCOTSMAN • Fax: (847) 913-9844

Visit our website at: www.scotsman-ice.com • E-mail: customer.service@scotsman-ice.com