

SCOTSMAN®

Modular Air, Water, Remote Cooled Flake Ice Machine

ITEM NO.

FME1500

C.S.I. File No. 11400



The FME1500 represents Scotsman's commitment to R-404A Refrigerant (DuPont SUVA® HP62) as the sensible, permanent solution to the refrigerant issue.

LONG SERVICE LIFE

- Evaporator, auger and breaker are all fabricated from durable stainless steel.
- Innovative "Interrupted Flight" auger design minimizes bearing loads.
- New gearmotor design includes heavy duty ball bearings.
- Large spherical top roller bearing self aligns, reducing bearing wear.

ENHANCED RELIABILITY

- Advanced electronics eliminate mechanical switches and sensors.
- Electronic water level control prevents problems associated with water pressure fluctuations.
- Continuous length evaporator refrigerant tubing eliminates potential refrigerant leaks.

IMPROVED EFFICIENCY

- Photoelectric eye bin control allows maximum storage in bin.
- Continuous icemaking, no hot gas cycle, no water dump.
- Lower KWH usage per 100 lbs. of ice than cubers.

LOWER SERVICE COSTS

- Most major components are accessible from the machine front. Less repair time equals less repair costs.
- Installation made easy by placing all utility connections on back panel, accepting standard plumbing fittings.
- System design minimizes cost of component failure.

VERSATILITY

- Fits a variety of Scotsman Ice Storage Bins – the modular design allows the user to choose the right bin for their needs.

REMOTE CONDENSER

Heat removed during icemaking is carried to the remote condenser directly by refrigerant. There the heat is transferred to the outdoor air, and the refrigerant returns to the icemaker.

- Choose either single or double unit condenser.
- Fan motor operates from icemaker electrical supply.
- Choice of 25 foot or 40 foot precharged refrigerant line with easy to install quick connect couplings.

ENVIRONMENTALLY RESPONSIBLE

- HFC R-404A (HP-62) refrigerant.
- Non-CFC foam insulation.

WARRANTY PROTECTION

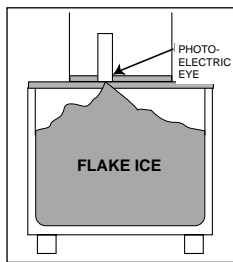
See Dealer for details of Limited Warranty.

- 24 Month Factory Labor.
- 24 Months on all parts.
- 5 Years on Compressor.
- Directory of Certified Dealer Service.



FLAKE ICE

Versatile, inexpensive to produce, used in salad bars, produce and fish displays.



PHOTOELECTRIC EYE

For maximum bin storage, photoelectric eye turns machine off when ice level reaches chute.



TOP BEARING

Extra large top bearing attached to auger and breaker reduces bearing wear.

This product qualifies for the following listings:

SCOTSMAN®
Ice Systems The World Relies On.™

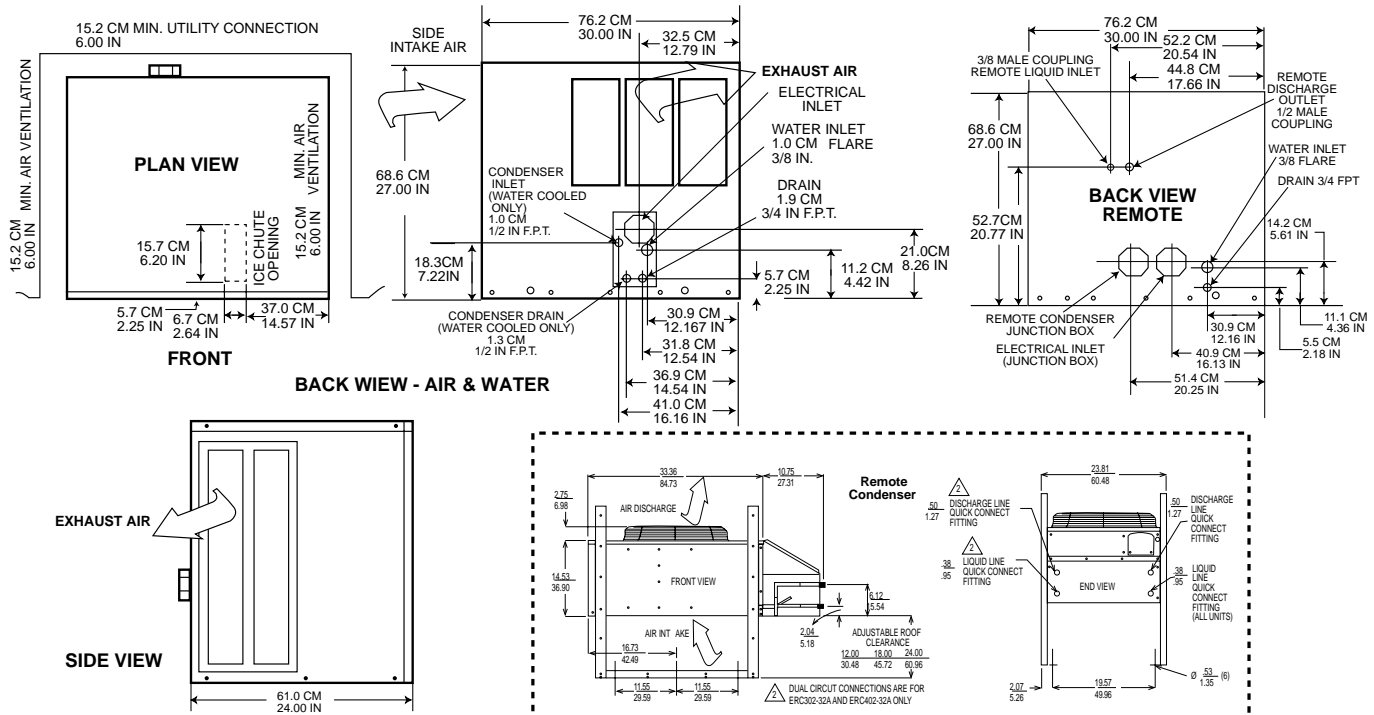
Consultant/Contractor Approval

775 CORPORATE WOODS PARKWAY • VERNON HILLS, IL 60061 • (847) 215-4550

FAX (847) 913-9844

E-mail: customer.service@scotsman-ice.com

FME1500 MODULAR AIR, WATER, REMOTE COOLED FLAKE ICE MACHINE



INSTALLATION NOTE: Allow 6" (minimum space at back for ventilation and utility connections.

All models: Dimensions: W x D x H Unit: 30" (x 24" (x 27" Shipping Carton: 33 1/4" x 27 1/4" x 32"

Model	Cond. Unit	Ice Prod. Lbs./24 hrs.		Finish *	Ship Wt. lbs./kg.	Basic Electrical Volts/Hz/Phase	Comp HP	No. of Wires	Min. Circuit Ampacity†	Max. Fuse Size or HACR Circuit Breaker	Power KWH/100 lbs.		Water Usage Gallons/100 lbs.		
		70° Air	90° Water								90°/70° Potable	70°/50°F Condenser	70°/50°F	70°/50°F	
FME1500AE-32A	Air	1430	1110	EG	285/129	208-230/60/1	1 3/4	2	15.0	20	3.4	2.5	12	12	—
FME1500WE-32A	Water	1460	1220	EG	285/129	208-230/60/1	1 3/4	2	14.3	20	2.8	2.2	12	12	92.3
FME1500RE-32A	Remote	1280	1100	EG	285/129	208-230/60/1	1 3/4	2	17.3	25	3.3	2.5	12	12	—

REMOTE CONDENSERS - Dimensions: W x D x H Unit: ERC201-32A - 45 x 22.12 x 29.25 ERC402-32A - 55 x 22.12 x 29.25 Shipping Carton: ERC201-32A - 46.88 x 21.75 x 22.50 ERC402-32A - 56.88 x 21.75 x 22.50 use with

Model	Cond. Unit	Finish	Ship Wt. lbs./kg.	Basic Electrical Volts/Hz/Phase	Comp HP	No. of Wires	Min. Circuit Ampacity†	Max. Fuse Size or HACR Circuit Breaker	Power KWH/100 lbs.	Water Usage Gallons/100 lbs.
ERC201-32A	Air	Galv.	95/43	208-230/60/1	—	2	2.6†	15	—	1-FME1500R
ERC402-32A	Air	Galv.	130/59	208-230/60/1	—	2	2.6†	15	—	1 or 2 FME1500R

* (EG) Grey, leathergrain embossed steel with high gloss baked enamel finish.
 † Use this value to determine minimum wire size as per National Electric Code Standards.
 ‡ Use value for remote condenser to determine wire size between icemaker and fan motor.
 Fan relay kit KCMR-230 required when connecting two FME1500R's to one ERC402-32A.

TYPICAL ICE MAKING CAPACITY PER 24 HOURS

AIR TEMPERATURE	FME1500A AIR-COOLED WATER TEMPERATURE				lbs. kg.
	70° 21°	70° 21°	90° 32°	90° 32°	
70° 21°	1430 649	1230 558	1090 494	—	—
90° 32°	1270 576	1110 503	960 435	—	—
100° 38°	1180 535	1040 472	910 413	—	—

AIR TEMPERATURE	FME1500W WATER-COOLED WATER TEMPERATURE				lbs. kg.
	70° 21°	70° 21°	90° 32°	90° 32°	
70° 21°	1460 662	1260 572	1110 503	—	—
90° 32°	1410 640	1220 553	1070 485	—	—
100° 38°	1360 617	1180 535	1040 472	—	—

Capacities represent typical production, variances of ±5% are normal.

FME1500R REMOTE COOLED

	AMBIENT TEMPERATURE			ICE PRODUCTION
	COND. AIR	INDOOR	WATER	
LOW TEMPERATURE	F° 0 C° -17.8	70 21.1	55 12.8	1280 LBS. 581 KG.
NORMAL TEMPERATURE	F° 90 C° 32.2	90 32.2	70 21.1	1100 LBS. 499 KG.
HIGH TEMPERATURE	F° 110 C° 49.3	90 32.2	80 26.7	970 LBS. 440 KG.

OPTIONAL PRE-CHARGED REFRIGERANT TUBE KITS:

- RTE25:** 25 foot pre-charged tubing with connectors — R-404A (HP62).
- RTE40:** 40 foot pre-charged tubing with connectors — R-404A (HP62).
- OPTIONAL STORAGE BINS:** HTB555, BH550, BH800 with KBT15B or KBT23 bin top, BH900 with KBT22 bin top, B90 with KBT18 bin top, and BH1360.
- OPTIONAL STAINLESS STEEL PANEL KIT:** SPKCMD-1: Contains top, front, two end and service panels. Not factory installed.

IMPORTANT OPERATING REQUIREMENTS:

Machine requires voltage indicated on rating name plate. Failures caused by improper voltage are not considered factory defects.

Scotsman's products are not designed for outdoor installations nor for installation where air temperatures fall below 50° F, or exceed 100° F; nor where water temperatures fall below 40° F, or exceed 100° F. Extended periods of operation at temperatures exceeding these limitations constitutes misuse under the terms of Scotsman Manufacturer's Limited Warranty, resulting in a loss of warranty coverage.

FME SERIES FLAKE ICEMAKER

Model _____ flake icemaker manufactured by Scotsman Ice Systems. Production capacity to be _____ at 90°F air temperature and 70°F water temperature. Icemaker to have a _____ (air, water, remote air)-cooled condenser. To have factory installed photo-electric eye bin level control to automatically start and stop icemaker. Evaporator and auger to be constructed of stainless steel. Exterior cabinet to be _____ (baked enamel grey leathergrain or 304 series stainless steel) finish. Icemaker to be UL, CSA, NSF and USDA listed.

SCOTSMAN®
Ice Systems The World Relies On.™

We reserve the right to make product improvements at any time. Specifications and design are subject to change without notice. Scotsman ice systems include a full line of ice shapes, modular and self-storing cubers, flakers, drink dispensers, bins and accessories.