

# SCOTSMAN

MODULAR ICE STORAGE BINS

## BH800

### VOLUME STORAGE – AMPLE ICE RESERVE

- Holds 580 pounds per ARI standard 820-95.
- Accepts one or more Modular Cubers, Flakers, or Nugget Ice Makers.

### QUALITY CONSTRUCTION

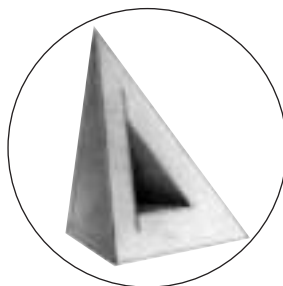
- NSF approved construction.
- Sanitary stainless steel finish.
- Polyethylene bin interior.

### WARRANTY PROTECTION *See Dealer for complete warranty details.*

- 3 years parts and labor on all components.

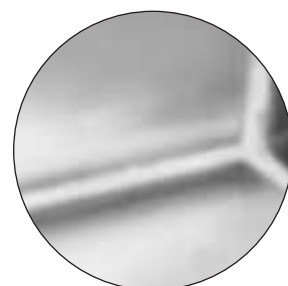


Bin includes 6" black enamel legs w/ adjustable leveling.



### POLYURETHANE INSULATION

Non-CFC foam insulation is forced between the wall and liner under heat and pressure to form a perfect wall to wall bond, preserving ice supply for long periods.



### BIN INTERIOR

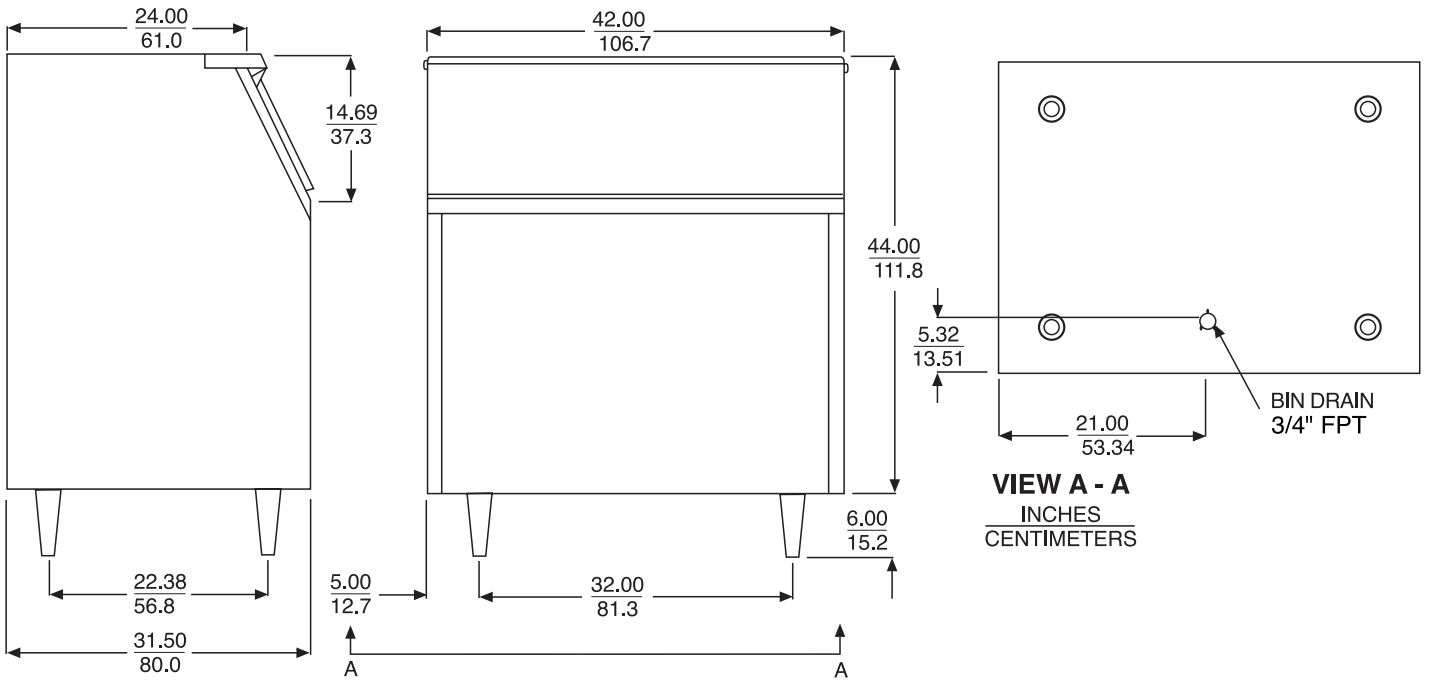
The polyethylene bin interior is sanitary and easy to clean. Resists scratches and scuffs from ice scoops.




*Scotsman is proud to announce that we are ISO-9001:2000 Certified*



# Bin Specifications



NOTE: Allow 6" minimum space at back for ice machine ventilation and utility connections.

SCOTSMAN MODULAR BIN			Certified & rated in accordance with ARI standard 820-95 			
Model Number	Dimensions W" x D" x H"	Cubic Feet	ARI Bin Capacity lbs./kg.	Application Capacity lbs./kg.	Finish*	Ship. Wt. lbs./kg.
BH800S-C	42 x 31.5 x 44	24.2	580/263	740/336	SS	185/84

\*(SS) Grained stainless steel cabinet with a polyethylene liner.  
NOTE: Add 6" height for legs.

ARI storage capacity for bins is based on 80% of total volume in cubic feet x 30 lb./ft.<sup>3</sup> average density of ice.  
Application capacity for bins is based on 90% of total volume in cubic feet x 34 lb./ft.<sup>3</sup> average density of ice.

Scotsman's ice machines and bins are not designed for outdoor installations. Scotsman remote condensers are designed for outdoor installations.

Machine requires voltage indicated on rating name plate. Failures caused by improper voltage are not considered factory defects. Extended periods of operation at temperatures exceeding limitations constitutes misuse under the terms of Scotsman Manufacturer's Limited Warranty, resulting in a loss of warranty coverage. Specifications and design are subject to change without notice.

Consult Your Local SCOTSMAN Representative At:

## ACCESSORIES

Model Number	Description	Application	Ship. Wt. lbs./kg.
KBT23	Bin Top	Use with CME256, CME506, CME656, CME806, CME1056.	75/34
KBT15B	Bin Top	Use with MFE400, NME654, NME954, NME1254, FME804, FME1204, FME1504.	85/38
KLP4	Heavy-duty leg kit	6" aluminum legs & bracket. Must be used when machines are stacked.	25/11
KLP7	Flanged-foot leg kit	6" black enamel legs with flanged feet.	5/2
KBC1	Caster kit	Raises bin 47/16". Not to be used when machines are stacked.	8/4

**YOU'LL VALUE THE DIFFERENCE™**

775 Corporate Woods Parkway • Vernon Hills, IL 60061 • 1-800-SCOTSMAN • (847) 913-9844  
Visit our website at: [www.scotsman-ice.com](http://www.scotsman-ice.com) • E-mail: [customer.service@scotsman-ice.com](mailto:customer.service@scotsman-ice.com)