

SCOTSMAN

UNDERCOUNTER COMPACT CUBER WITH STORAGE

50 Hz

SCE275

VOLUME PRODUCTION • 24 HOUR



Based on Air/Water Temperatures	Air-Cooled		Water-Cooled	
	70°/50° lbs. / kg.	90°/70° lbs. / kg.	70°/50° lbs. / kg.	90°/70° lbs. / kg.
SCE275-6	260/118	198/90	275/125	256/116

DEPENDABLE PERFORMANCE IN ANY CONDITION:

- 90 lbs. of storage.
- Breathes in and out the front side. No need to allow space at its side for air circulation.
- Refrigeration system, electronic control, water pump motor and water valve separated from the ice and water.
- Factory installed photoelectric eye bin control simplifies installation and maximizes ice in the bin.
- Solid state, microprocessor electronic control.
- Reusable, cleanable air filter.
- 7 ft. powercord for quick installation.

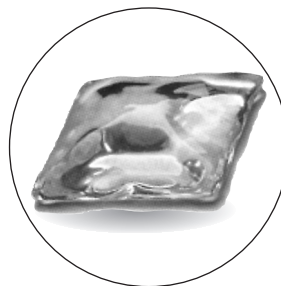
WARRANTY *See your dealer for complete warranty details.*

- Parts and labor on all components.



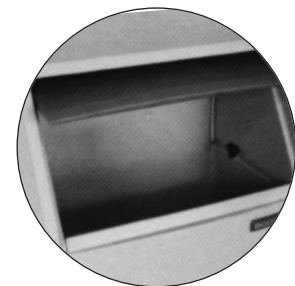
UNDERCOUNTER INSTALLATION

Adapts to numerous under-counter applications. Fits under any 40"/102 cm. counter.



APPROX. CUBE SIZE:

1³/₈" x 1³/₈" x 5/₈"
35MM x 35MM x 15.88MM

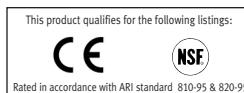


SLIDE AWAY ACCESS DOOR

Provides convenient and easy access to ice.



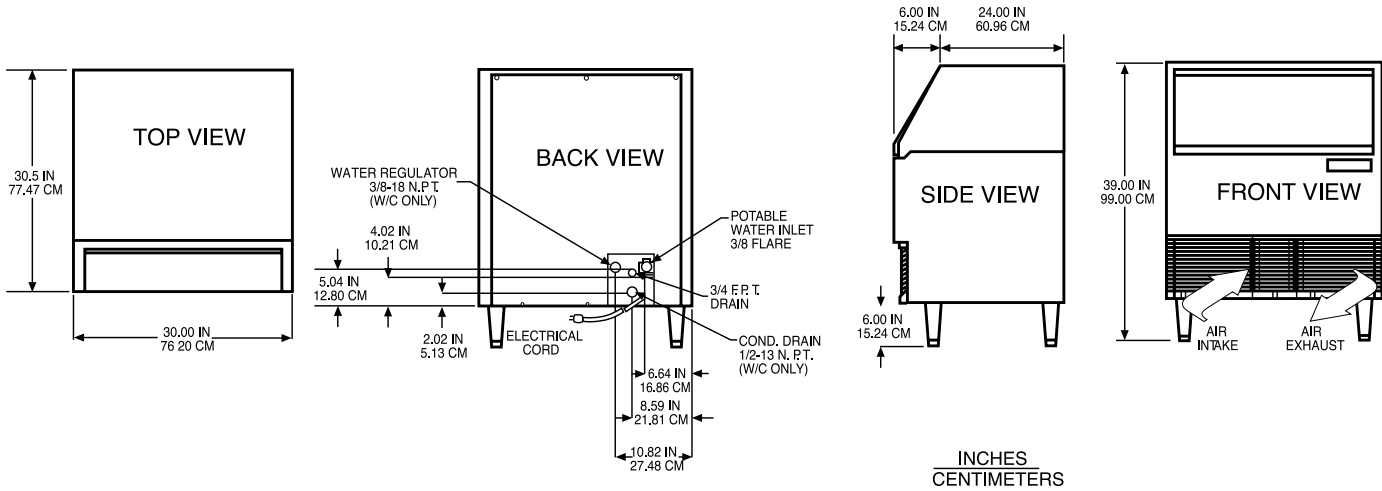
Scotsman is proud to announce that we are ISO-9001:2000 Certified



Scotsman[®]

Ice Machine Specifications

50 Hz



INSTALLATION NOTE: Allow 6" minimum space at back for utility connections.

All models: Dimensions W x D x H without legs (Add 6" height for legs); Unit: 30" x 30" x 33" Shipping Carton: 33" x 33" x 39"

Model Number	Condenser Unit	Bin Capacity lbs./kg.	Basic Electrical Volts/Hz/Phase	Max. Load Amps	Comp. HP	Circuit Wires	Min. Circuit Ampacity	Shipping Weight lbs./kg.
SCE275A-6E	AIR	90/41	230/50/1	15	.6	2	CORD	230/104
SCE275W-6E	WATER	90/41	230/50/1	15	.6	2	CORD	225/102

Finish: rotocast grey plastic.
Refrigerant-R-404A

LEGS SUPPLIED:

Four plastic legs screw into mounting plates on cabinet base. Provides 6" minimum height.

Scotsman's ice machines are not designed for outdoor installations. Scotsman remote condensers are designed for outdoor installations.

Machine requires voltage indicated on rating name plate. Failures caused by improper voltage are not considered factory defects. Extended periods of operation at temperatures exceeding limitations constitutes misuse under the terms of Scotsman Manufacturer's Limited Warranty, resulting in a loss of warranty coverage. Specifications and design are subject to change without notice.

Consult Your Local SCOTSMAN Representative At:

IMPORTANT OPERATING REQUIREMENTS:

	Minimum	Maximum
Air Temperatures	50°F (10°C)	100°F (37.7°C)
Water Temperatures	40°F (4.4°C)	100°F (37.7°C)
Water Pressures	20 PSIG	120 PSIG
Electrical Voltage	-5%	+10%

YOU'LL VALUE THE DIFFERENCE™

775 Corporate Woods Parkway • Vernon Hills, IL 60061 • 1-800-SCOTSMAN • Fax: (847) 913-9844
Visit our website at: www.scotsman-ice.com • E-mail: customer.service@scotsman-ice.com

