

SCOTSMAN

COUNTER TOP ICE/BEVERAGE DISPENSER

RS160 / RS220



RS160

Storage Capacity

	lbs./kg.
RS160	160/70
RS220	220/100

DEPENDABLE PERFORMANCE IN ANY CONDITION

- 160 lbs. of storage capacity in a 22" width or 220 lbs. of storage in 30" width.
- Stainless steel exterior.
- Foam-insulated polyethylene bin reduces ice meltage.
- Quick and accurate dispensing of ice is achieved by an innovative rotor design.
- Superior cooling capacity is obtained by an 11-circuit cold plate with virtually 100% ice coverage.
- Ice that is dispensed never touches cold-plate.
- Key lock for valves is standard.

WARRANTY *See your dealer for complete warranty details.*

- 2 years parts warranty.
- 1 year labor .

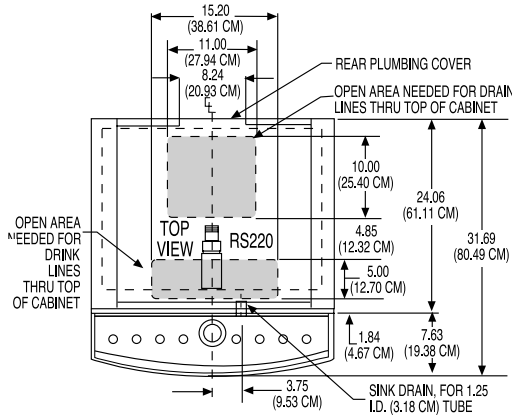
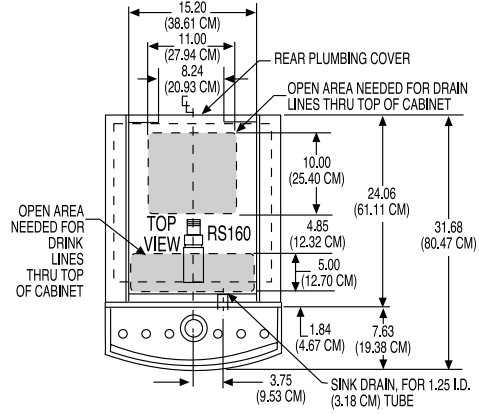
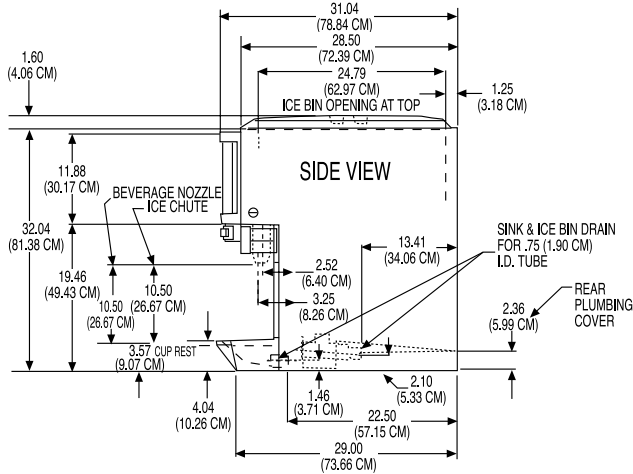
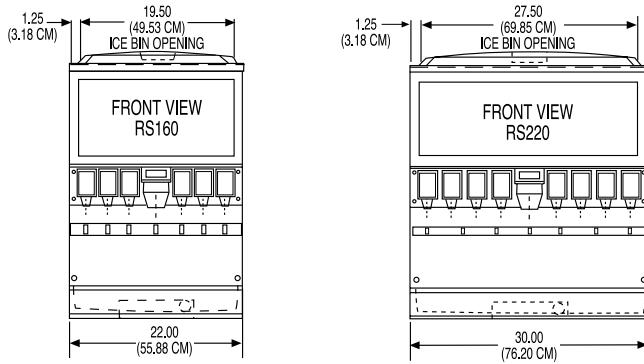


RS220

This product qualifies for the following listings:



Dispenser Specifications



All models:	Dimensions: W x D x H	Unit: RS160-1A: 22" x 32" x 34"		RS220-1A: 30" x 32" x 34"			
Model Number	Storage Capacity (lbs.)	Basic Electrical Volts/Hz/Phase	Ice Actuation	Min. Circuit Ampacity	Max. Fuse Size	Shipping Weight	Drink Valves
RS160S-LF-1A	160/70	115/60/1	Lever	2	15	230	6
RS160S-BF-1A	160/70	115/60/1	Button	2	15	230	6
RS220S-LF-1A	220/100	115/60/1	Lever	2	15	280	8
RS220S-BF-1A	220/100	115/60/1	Button	2	15	280	8

OPTIONS:

- KADUN2: mounting adaptor for 22" cuber (add 3" to total height)
- KADCM2: mounting adaptor for 30" cuber (add 3" to total height)
- KLP5: 4" leg kit
- CARB100: fast-flow electronic carbonator (100 gph)
- PRE1: premix valves
- PCV1: portion control valves

Scotsman's ice machines are not designed for outdoor installations. Scotsman remote condensers are designed for outdoor installations.

Machine requires voltage indicated on rating name plate. Failures caused by improper voltage are not considered factory defects. Extended periods of operation at temperatures exceeding limitations constitutes misuse under the terms of Scotsman Manufacturer's Limited Warranty, resulting in a loss of warranty coverage. Specifications and design are subject to change without notice.

Consult Your Local SCOTSMAN Representative At:

YOU'LL VALUE THE DIFFERENCE™

775 Corporate Woods Parkway • Vernon Hills, IL 60061 • 1-800-SCOTSMAN • (847) 913-9844
 Visit our website at: www.scotsman-ice.com • E-mail: customer.service@scotsman-ice.com