

# SCOTSMAN

AUTOMATIC AIR AND WATER COOLED NUGGET ICE MAKER/DISPENSER

## T D E 6 5 0



### VOLUME PRODUCTION • 24 HOUR

Based on Air/Water Temperatures	Air-Cooled		Water-Cooled	
	70°/50° lbs./kg.	90°/70° lbs./kg.	70°/50° lbs./kg.	90°/70° lbs./kg.
TDE650	605/275	465/211	620/281	540/245

### YOU'LL VALUE OUR UNIQUE TOUCHFREE® ICE MAKER/ WATER DISPENSERS

- Convenient one-handed operation - sensors determine when to dispense water or ice.
- No risk of cross contamination.
- Complies with the most stringent requirements of the National Sanitation Foundation and the spirit of the Americans with Disabilities Act.
- Photoelectric eye bin control allows for maximum ice storage.
- Makes and dispenses soft, chewable nugget ice.

### WARRANTY *See your dealer for complete warranty details.*

- 2 years parts on all components.
- 2 years labor on all components.
- 5 years parts on compressor.



#### NUGGET ICE

Versatile, inexpensive to produce, used in carbonated beverages and salad bars.



#### SANITARY, ONE HAND OPERATION

Easily fills various size and types of containers.



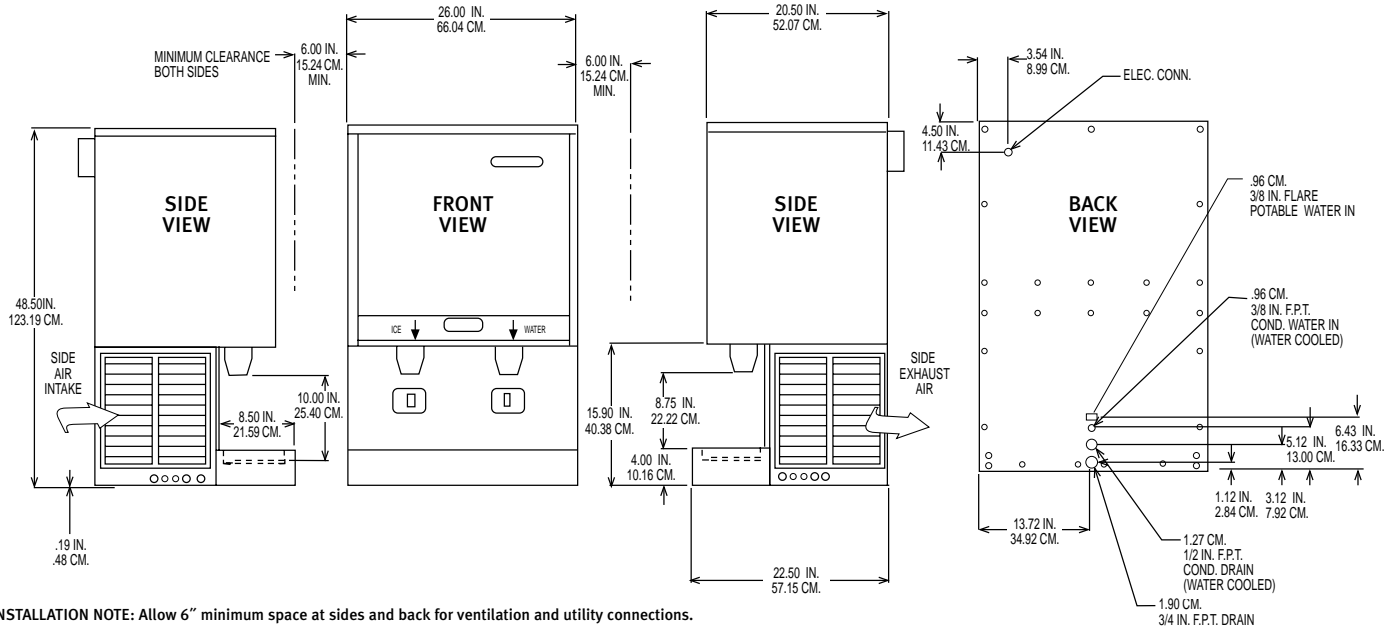
#### DMS 21 STAND

26" x 21" x 36"  
Stainless Steel.

This product qualifies for the following listings:



# Ice Machine Specifications



All models: Dimensions: W x D x H Unit: 26" x 22 1/2" x 48 1/2" Shipping Carton: 30" x 24" x 53"

Model Number	Condenser Unit	Bin Cap. lbs./kg.	Basic Electrical Volts/Hz/Phase	Max. Fuse Size or HACR Circuit Breaker	Comp. HP	Circuit Wires	Min. Circuit Ampacity	Shipping Weight lbs./kg.	Power Consumption KWH/100 lbs. 90°F/70° F	Water Usage Gallons/100 lbs.	
										Potable 90°F/70° F	Condenser 90°F/70° F
TDE650AS-1A	AIR	115/60/1	40/18	25	1/2	2	19.3	280/127	5.7/4.2	12	-
TDE650WS-1A	WATER	115/60/1	40/18	20	1/2	2	17.8	275/125	4.3/3.6	12	103.4

All units are stainless steel.  
Refrigerant: R-404A.

**OPTIONS:**

KSP2: - Splash panel kit to be used when the TDE650 is installed above a permanent sink and the sink assembly is not used.

DMS21B - Machine stand for TDE650. Width: 26". Depth 22 1/2". Height: 36" with 6" legs. Available in stainless steel.

KWB3 - Wall mounting kit.

**ICE VENDING CAPACITY—PEAK VENDS PER HOUR**

	Bin Cap. lbs./kg.	1-Hr. Recovery Cap.* lbs./kg.	Number of Vends per Hour From Full Bin + Recovery			
			1 oz. Vends	2 oz. Vends	3 oz. Vends	4 oz. Vends
TDE650A	40/18	22/10	560 + 400	280 + 200	185 + 130	140 + 100
TDE650W	40/18	22/10	560 + 400	280 + 200	185 + 130	140 + 100

\*Based on 70° Air and 50° Water Temperatures.

Scotsman's ice machines are not designed for outdoor installations. Scotsman remote condensers are designed for outdoor installations.

Machine requires voltage indicated on rating name plate. Failures caused by improper voltage are not considered factory defects. Extended periods of operation at temperatures exceeding limitations constitutes misuse under the terms of Scotsman Manufacturer's Limited Warranty, resulting in a loss of warranty coverage. Specifications and design are subject to change without notice.

**Consult Your Local SCOTSMAN Representative At:**

**IMPORTANT OPERATING REQUIREMENTS:**

	Minimum	Maximum
Air Temperatures	50°F (10°C)	100°F (37.7°C)
Water Temperatures	40°F (4.4°C)	100°F (37.7°C)
Water Pressures	20 PSIG	120 PSIG
Electrical Voltage	-5%	+10%

**YOU'LL VALUE THE DIFFERENCE™**

775 Corporate Woods Parkway • Vernon Hills, IL 60061 • 1-800-SCOTSMAN • (847) 913-9844  
Visit our website at: [www.scotsman-ice.com](http://www.scotsman-ice.com) • E-mail: [customer.service@scotsman-ice.com](mailto:customer.service@scotsman-ice.com)