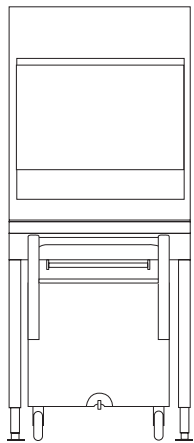
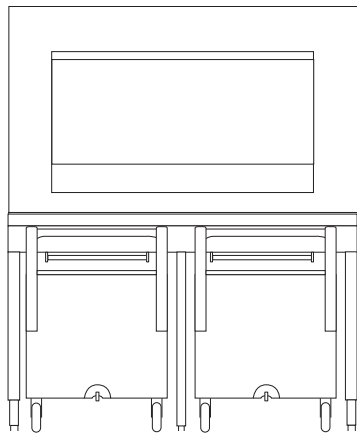




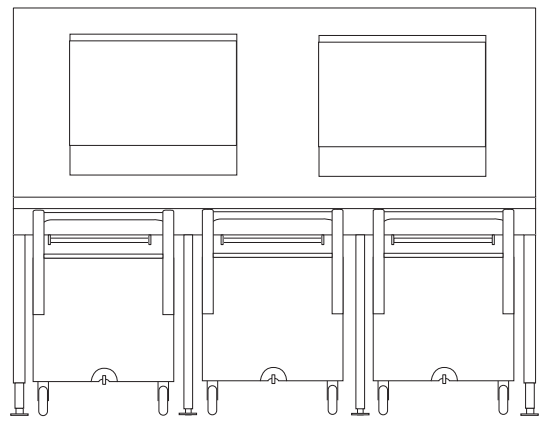
Installation and User's Manual for
Ice Cart Systems
ICS730, ICS1360, and ICS1790



ICS730



ICS1360



ICS1790

Contents

Before you begin	Page 3
Installation	Page 4
Operation.	Page 6
Cleaning	Page 9



WARNING: Cancer and Reproductive Harm
www.P65Warnings.ca.gov

Before you begin

After uncrating and removing all packing material, inspect the equipment for concealed shipping damage. If damage is found, notify the shipper immediately.



Important cautions and operating rules

Read this manual completely before assembling or operating Ice Cart System and follow cautions and instructions listed below.

To avoid damage to Ice Cart System and injury during operation:

- Do not move Ice Cart System once ice machine has been installed
- Anchor flanged feet to floor as instructed on page 4
- Only use paddle provided to assist ice flow
- Only use cart to cart ice and reinstall carefully in bin bay when not in use

To avoid injury during operation of unit:

- Keep entire body clear of bin when breaking up ice
- Keep head and face away from paddle handle when breaking up ice
- Lock caster before scooping or shoveling ice from cart and when parked in bay
- Keep floor around Ice Cart System free of ice and water
- Always operate cart at a slow, reasonable speed

For best operation and to ensure delivery of clean, sanitary ice:

- Be sure bin system is level in both directions to provide proper drainage
- Position cart in bay before opening hopper door
- Install charcoal water filter on inlet water for ice machine
- Hang paddle implement in supplied bracket after each use
- Keep paddle clean and in good repair to avoid ice contamination
- Cover ice with cart lid when carting
- Follow instructions in this manual for bin and cart cleaning and maintenance
- Drain melt water from cart when positioned in bay by opening drain valve
- Keep glass, dirt and other foreign objects out of bin and cart at all times

Installation

Uncrating cart

1. Remove paddle from skid by cutting plastic straps.
2. Cut strap holding front axle to skid.
3. Remove wheel chocks from skid at handle end of cart.
4. Roll cart(s) out of base section.
5. Remove tape holding lid to cart.
6. Remove lid storage bracket(s) from inside cart. (Brackets may be installed on left or right side of bin. See Installing Bin section.)

Uncrating and installing base section

1. Remove screws holding flanged feet and tie-down straps to skid and remove skid.
2. Remove packing material from inside of legs and around shutter door.
3. Position base in intended position and adjust feet to level unit in both directions.
4. Mark position of each flanged foot anchoring hole.
5. Move base out of way and install anchors for 1/4" bolts in floor (supplied by others).
6. Reposition unit in intended position and anchor base unit to floor through flanged feet.

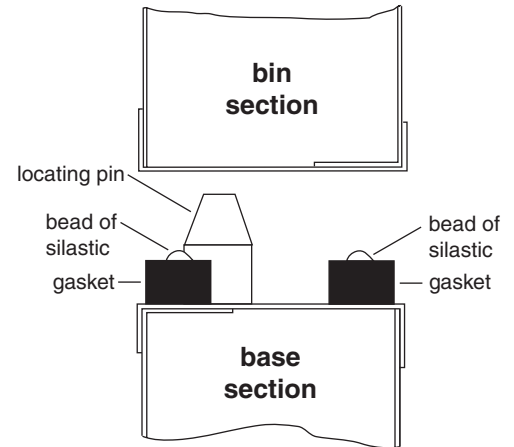


When leveling, do not extend any leg more than 1" (26mm) for total leg height no greater than 2.125" (54mm).

Legs must be secured to floor through feet to avoid possible movement and resulting injury.

Installing bin

1. Remove bolts fastening skid to underside of bin.
2. Remove all protective wrap from exterior.
3. Run 1/8" bead of supplied silastic in center of each gasket band on base.
4. Install bin section on base section, taking care that locating pins in base engage holes in bin.
5. Use fasteners provided to install paddle support bracket on right or left side of bin in holes provided.
6. Remove paper from back of cart lid storage bracket(s) and position brackets on side of bin.
7. Remove all tape and temporary fastenings from door assemblies and outside of bin.
8. Mount ice machine(s) on top of bin in accordance with instructions.
9. Install tie-down straps.



Installing tie-down straps



Tie-down straps to secure bin to base are provided on each side of unit. Straps **MUST be installed to avoid possible injury should unit move. Bolt unit to wall for increased stability, and bolt to floor to prevent side-to-side movement.**

1. Remove screws from rivnuts on each side of bin section.
2. Reposition tie-down strap up until slot matches rivnut opening.
3. Reinstall screws in rivnuts and tighten.

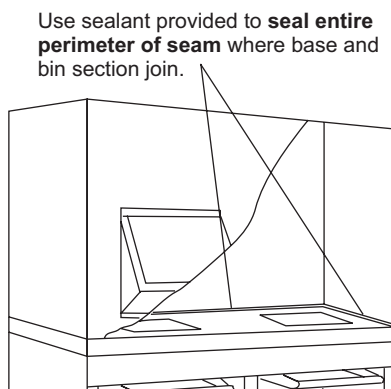
ICS730, ICS1360, and ICS1790 Installation and User's Manual

Sealing bin interior

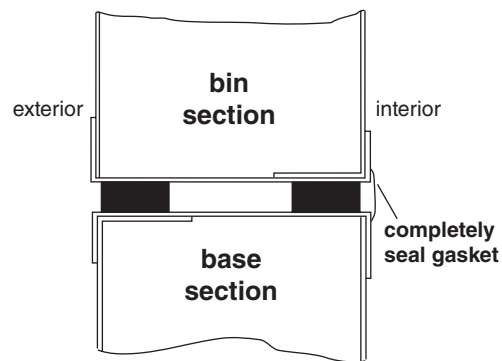


The joint between base and bin sections must be sealed with silastic to prevent leakage and/or ice contamination and potential voiding of warranty. One or more shutter doors may need to be removed to seal bin.

1. Support shutter door(s) with one hand and remove thumbscrews from side of shutter door(s) at underside of base.
2. Pivot door(s) downward to remove.
3. Gain access through this opening and seal entire perimeter of seam between bin and base with provided sealant or equivalent.
4. After sealant has set but before shutter door(s) have been reinstalled, clean inside of bin following instructions in this manual.
5. Reinstall shutter door(s).



Cross section of ITS sections joined



Plumbing connections

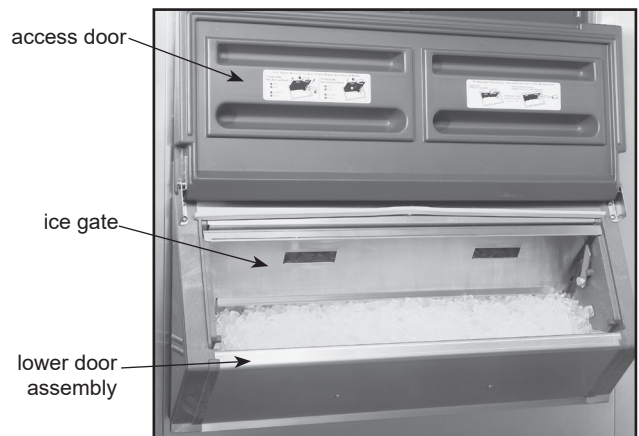
Note: It is recommended that a full width grated floor drain be installed in front of bin.

1. Units are shipped for a right side exiting drain. To drain to left, switch positions of screws in trough brackets from lower hole to upper hole on left bracket and upper hole to lower hole on right bracket.
2. Remove plug from left side of drain trough and insert in right side.
3. Connect drain line to 1 1/4" PVC slip fit drain fitting.
4. Make final connections to ice machine.

Removing lower door assembly

(only if required for access through narrow doors)

1. With lower access door closed remove Phillips head screw and washer from hinge area on each side of lower access door.
2. Insert screwdriver between door and hinge bracket on one side of door and gently push against bracket to provide room for door stud to clear bracket.
3. Remove access door.
4. Pull up on ice gate to remove.
5. Remove three or four (3 or 4) screws along top of door assembly.
6. Pull forward on assembly and remove.



ICS730, ICS1360, and ICS1790 Installation and User's Manual

Reinstalling door assembly

1. Reinstall lower door assembly in bin opening.
2. Reinstall three or four (3 or 4) screws in hood at top of door assembly.
3. Reinstall ice gate in side panel tracks and push down to seat.
4. With door closed insert one door stud through hinge bracket.
Note: For proper operation the access door must be reinstalled in the closed position.
5. On other side, insert screwdriver between door and hinge bracket and gently push against bracket to provide room for door stud to clear bracket.
6. Reinstall washers and screws in lift door and tighten.
7. Check door to ensure proper operation.

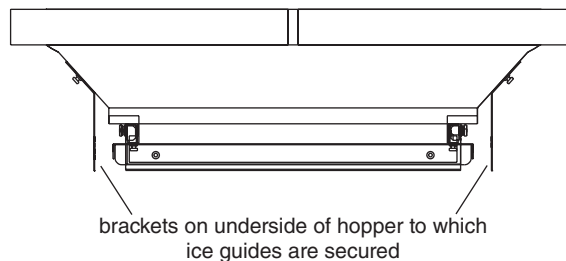
Ice guide adjustment

Some ice types are very “slippery” and may flow over sides of cart when exiting hopper. Ice guides hang down below hopper and help contain flowing ice inside cart.

Guides are installed in highest position at factory, providing 3/4" clearance to top of cart when legs are in full down position. If legs are adjusted up during leveling of Ice Cart System, ice guides should be lowered to maintain 3/4" (19mm) clearance. Access to sides of Ice Cart System is required to perform operation.

To reposition ice guides after legs have been adjusted:

1. Position cart (with totes, if so equipped) in bay below shutter door opening.
2. Determine amount guides must be lowered to maintain 3/4" (19mm) clearance.
3. Remove thumbscrews holding guides.
4. Select hole to reposition guide at proper level and resecure with thumbscrew.
5. Repeat process for each bay in system.



Operation

Cart drain operation

1. Position cart all the way in bay.
2. Lock caster to prevent cart movement.
3. To open drain, pull knob out.
4. To close, push knob in.

PUSH TO CLOSE

Cart lids

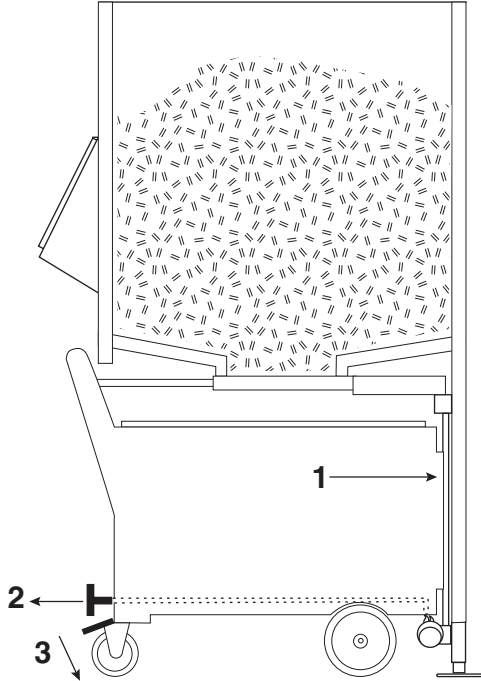
1. Hang cart lids on brackets on bin side when carts positioned in bay.
2. Remove from bracket and place lid on cart when carting ice.
3. To avoid placing lid on floor, position lid horizontally on cart lip, resting lid against cart handle when unloading ice from cart.
4. Reinstall lid in bracket on side of bin before placing cart in bay.

Ice Cart System operation

A

Pushing cart into bay

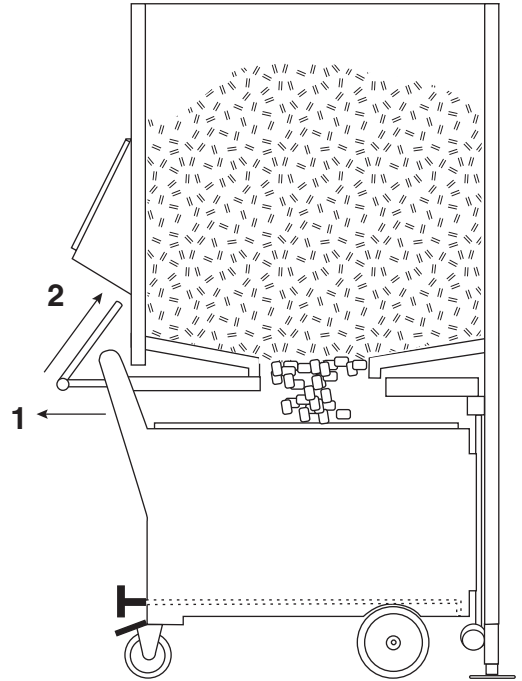
1. PUSH cart all the way to back.
2. PULL cart drain open.
3. Lock brake on caster DOWN.



B

Loading ice

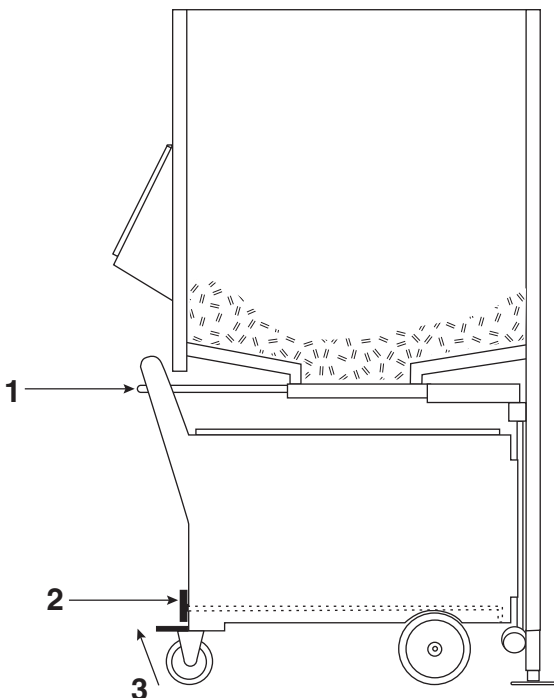
1. PULL shutter handle open.
2. Store handle up against bin.



C

Pulling cart out

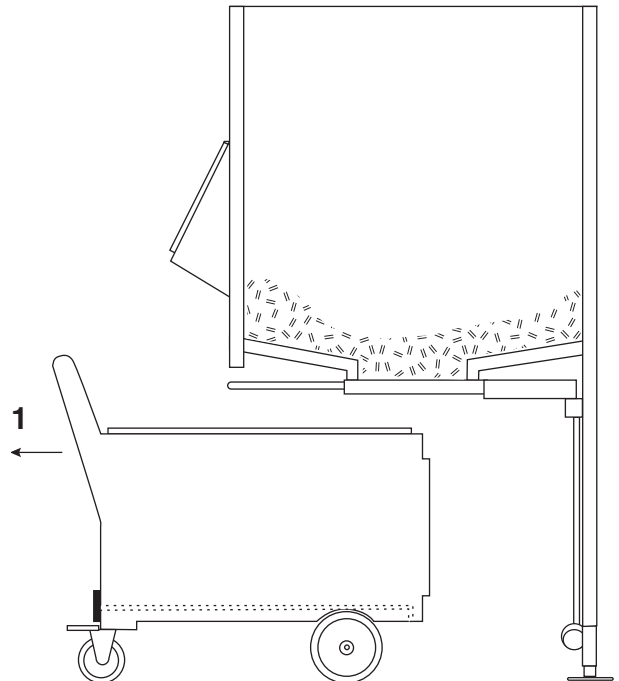
1. PUSH shutter handle closed.
2. PUSH cart drain closed.
3. Release brake on caster.



D

Carting ice

1. PULL cart from base.
2. Place lid on cart.



ICS730, ICS1360, and ICS1790 Installation and User's Manual

Breaking ice bridges

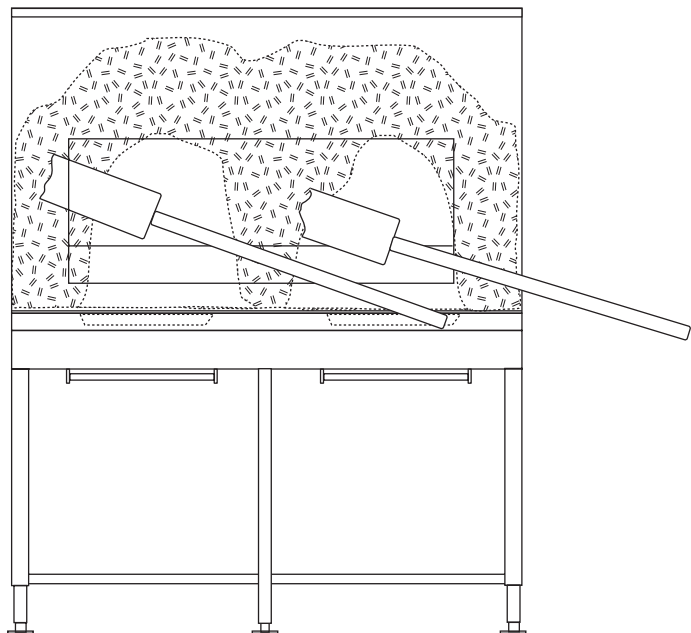
It may be necessary to use the paddle to break up ice bridges that occur along the sides and in the middle of the bin. This often happens if ice has been held in storage for a period of time without use. Use supplied paddle accessory to break up bridges.



Do NOT dig up at ice. Instead, break away “legs” that are holding bridges. Ice above will then fall.

A falling ice bridge can cause paddle to lift. Keep head and face away from paddle handle to avoid injury.

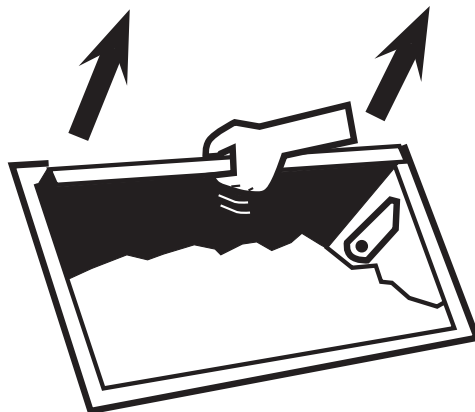
1. Completely knock down all ice from sides and back of bin.
2. Knock down any bridge that has occurred in middle.
3. Agitate paddle back and forth to break up congealed ice mass.



Ice gate operation

Ice gate can be adjusted and locked at one of several levels to accommodate flow characteristics of different types of ice.

Bin is shipped with ice gate in full down position. Ice gate can be raised and locked in higher position for better flow or when more access is needed.



Cleaning



Clean and sanitize bin and cart(s) interiors prior to use and on regular schedule as needed. Use non-chlorine based cleaner and sanitizer suitable for use in a food zone. Do NOT use chlorine-based cleaners, which can cause staining and pitting of stainless steel components. Do not run Totes through a dishwasher. Turn off ice machine(s) and remove ice from bin before beginning.

Bin drain system cleaning

1. Remove upper tray(s) and wash with cleaning solution, rinse and reposition in brackets.
2. Saturate a cloth with cleaning solution and insert through a loop in end of a piece of wire.
3. Feed wire through vertical drain tube, and pull wire and cloth through tube.
4. Pour 1 gallon (4L) hot water into lower drain trough.

Drain tray cleaning

1. Remove two thumbscrews on side of drain tray and pull drain tray forward to remove.
2. Wash with an approved cleaner.

Shutter doors and rails

1. Support hopper shutter door with one hand and remove thumbscrews from side of hopper shutter door at under side of base section.
2. Pivot door down to remove.
3. Wash door, rinse thoroughly and sanitize.
4. Remove thumbscrews holding front and rear of shutter tracks.
5. Wash tracks, rinse thoroughly and sanitize.

Cart and cart drain system

1. Wash cart liner with an approved cleaner.
2. Rinse and sanitize.

Cleaning bin before use and ongoing bin maintenance

Interior of bin must be cleaned and sanitized prior to use and should be cleaned on routine basis during use (see next page).

Interior bin care

Scotsman ice storage bins are equipped with polyethylene liner walls which should be cleaned and sanitized periodically.

Wash bin walls and hopper, rinse and sanitize.

Important: Scotsman recommends installing a properly-sized, activated carbon (charcoal) water filter on water supply to ice machine to remove chlorine.

Exterior bin care

Exterior stainless steel surfaces can be cleaned with a stainless steel cleaner.

SCOTSMAN ICE SYSTEMS

101 Corporate Woods Parkway

Vernon Hills, IL 60061

800-726-8762

www.scotsman-ice.com