

SCV32 Service Parts

This parts list contains the service parts for the Scotsman wine storage unit model SCV32.

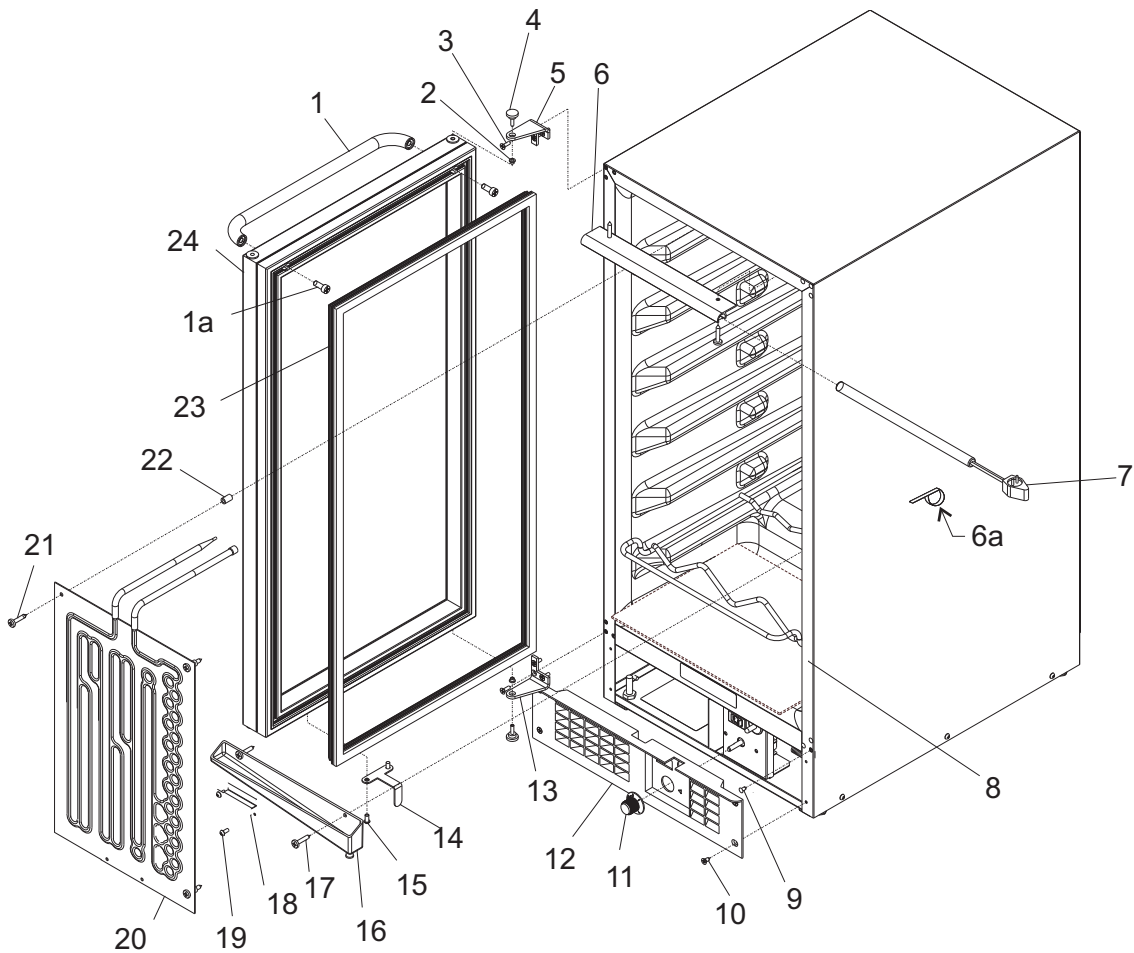
There was a compressor change in 2010, resulting in a model change to a D series (SCV32-SD). Confirm the brand of compressor being replaced.

Table of Contents

Cabinet Front and Interior	Page 2
Cabinet Back	Page 3
Condensing Unit & Electrical	Page 4
Wiring Diagram	Page 5

SCV32 Service Parts

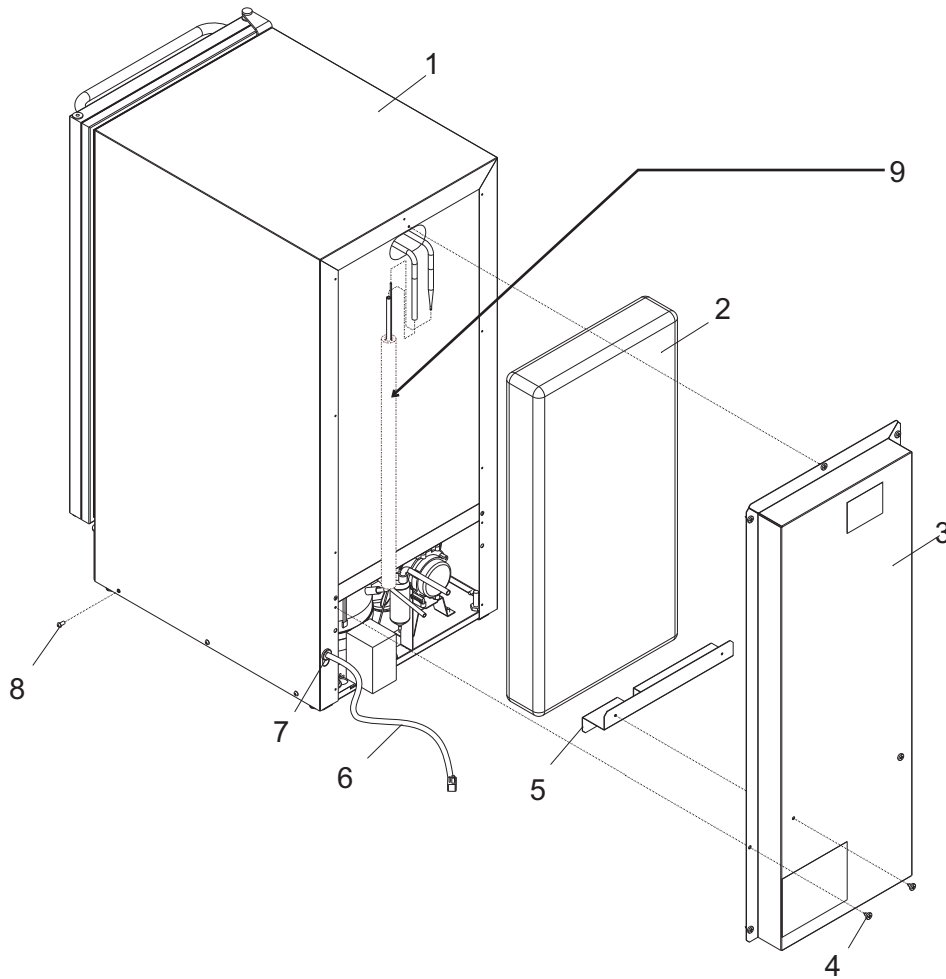
Cabinet Front and Interior



Item Number	Part Number	Description	Item Number	Part Number	Description
1	02-3847-01	Door handle	12	02-3982-01	Kickplate
1a	03-3814-02	Screw	13	15-0813-01	Hinge, left lower/rt upper
2	02-4004-01	Bushing	14	A38411-001	Switch actuator
3	03-1418-24	Screw, flush head	15	03-1431-00	Screw
4	03-3834-01	Hinge pin	16	02-3987-01	Trough
5	15-0813-02	Hinge, left upper/rt lower	17	03-1404-19	Screw
6	A38846-001	Light housing	18	A38413-001	Thermostat bracket
6a	03-3869-01	Bulb clamp	19	03-1531-01	Screw
6b	03-1730-01	Washer	20	18-8876-21	Evaporator
7	12-2888-01	Bulb	21	03-1404-19	Screw
8	02-3983-01	Rack	22	02-2505-01	Spacer
9	02-2481-02	Plug	23	13-0825-04	Gasket
10	03-1419-26	Screw	24	02-3985-21	Door, includes items 1 and 1a
11	15-0812-01	Knob			

SCV32 Service Parts

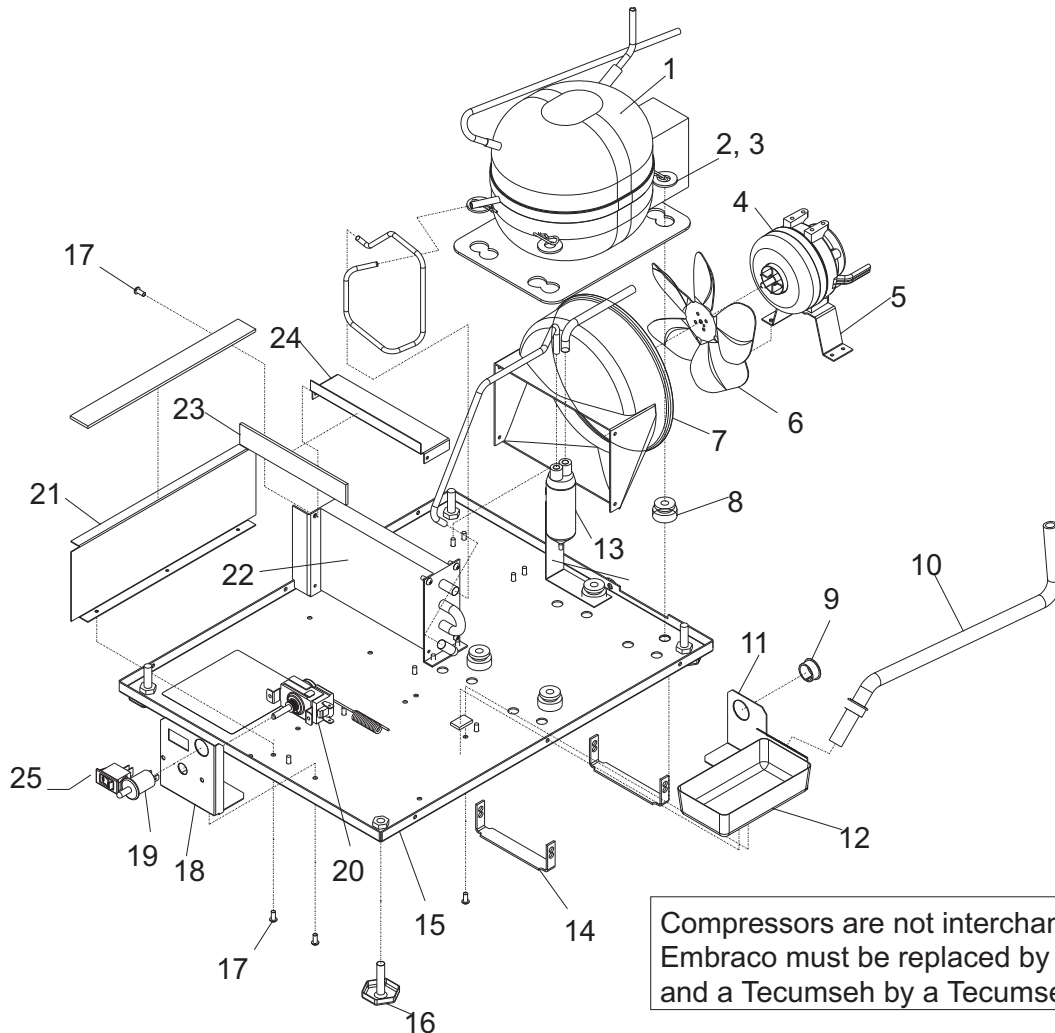
Cabinet Back



Item Number	Part Number	Description
1	no number	Cabinet w/liner
2	02-3256-01	Insulation pack
3	A35546-001	Back cover
4	03-1404-08	Screw
5	A35547-001	Baffle
6	12-1638-17	Cord
7	12-0629-08	Strain relief
8	03-1431-00	Screw
9	A38406-001	Suction line w/cap tube

SCV32 Service Parts

Condensing Unit & Electrical



Compressors are not interchangeable; an Embraco must be replaced by an Embraco and a Tecumseh by a Tecumseh.

Item Number	Part Number	Description
1	Embraco 18-8802-21	Tecumseh - D series units 18-8947-21 Compressor**
1a	18-8802-52	18-8947-41 Overload
1b	18-8802-55*	18-8947-31 Relay
1c	18-8802-53	18-8776-54 Terminal cover
1d	-	18-1902-66 Run capacitor

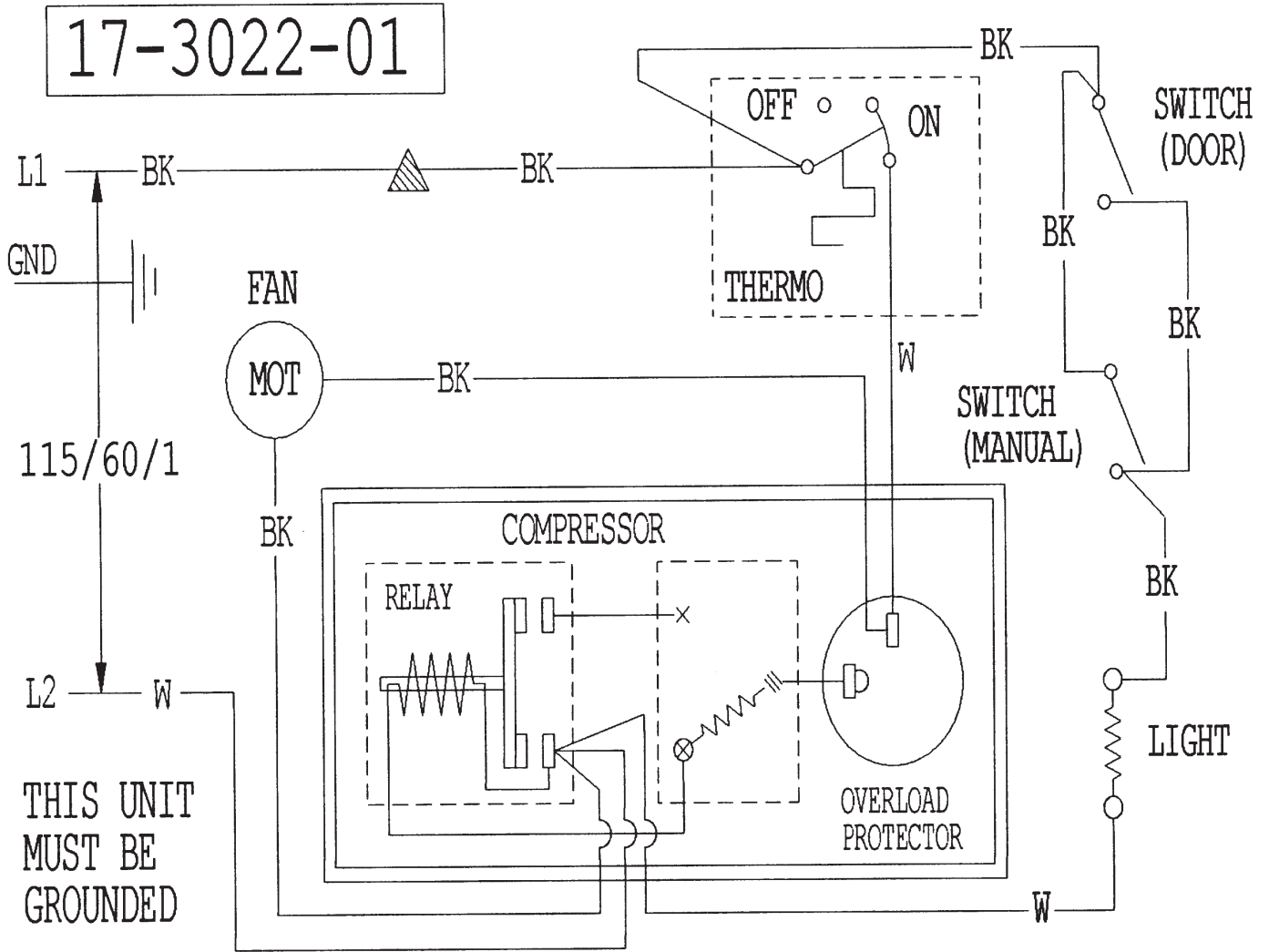
9	12-1213-10	Snap bushing
10	13-0674-02	Drain tubing, 1 unit
12	02-3984-01	Drain pan
13	02-3490-01	Dryer
14	A29015-001	Bracket
15	A28921-002	Base
16	03-1608-01	Leg
17	03-1531-01	Screw
18	A38407-001	Bracket
19	12-2886-01	Plunger Switch
20	11-0586-21	Thermostat
21	A35495-001	Panel
22	18-8712-01	Condenser
23	19-0503-02	Ins tape
24	A35512-001	Baffle
25	12-2885-01	Rocker Switch

2	03-3821-01	Hitch pin
3	03-1407-08	Washer
4	12-2927-01	Fan motor
5	A28798-001	Bracket
6	02-4197-01	Fan blade
7	02-2871-01	Shroud
8	18-8861-01	Mounting grommet

* Includes overload and terminal cover.
 ** Includes all starting components and a dryer.

SCV32 Service Parts

Wiring Diagram



SCV32 Service Parts

Wiring Diagram - Tecumseh Compressor

