

## Introduction

---

Scotsman's SCV Wine Storage Unit is designed for the refrigeration, storage and display of wine bottles. In order to provide efficient operation, the cabinet is insulated and the door has two panes of glass. A door gasket provides sealing between the door and the cabinet. Six slide out storage racks with stops are provided for ease of loading or removal.

The SCV can be built into an under counter application without loss of capacity or efficiency due to the forced draft condenser under the unit.

This manual outlines the installation, use and maintenance of the wine storage unit. Please keep it for future reference and observe the Warning or Caution notes.

### Table of Contents

Introduction . . . . .	1
Install It . . . . .	2
Layout Drawings . . . . .	3
Reversing Door Swing . . . . .	4
Place It . . . . .	5
Switch It On . . . . .	6
Load It . . . . .	7
Set the Temperature . . . . .	8
Temperature Control . . . . .	9
Maintenance . . . . .	10
Troubleshooting . . . . .	11
Light Bulb Replacement . . . . .	12
Drain System . . . . .	13

**Danger! Risk of Child Entrapment**

Before discarding the product this unit replaces, or when discarding this product at the end of its useful life:

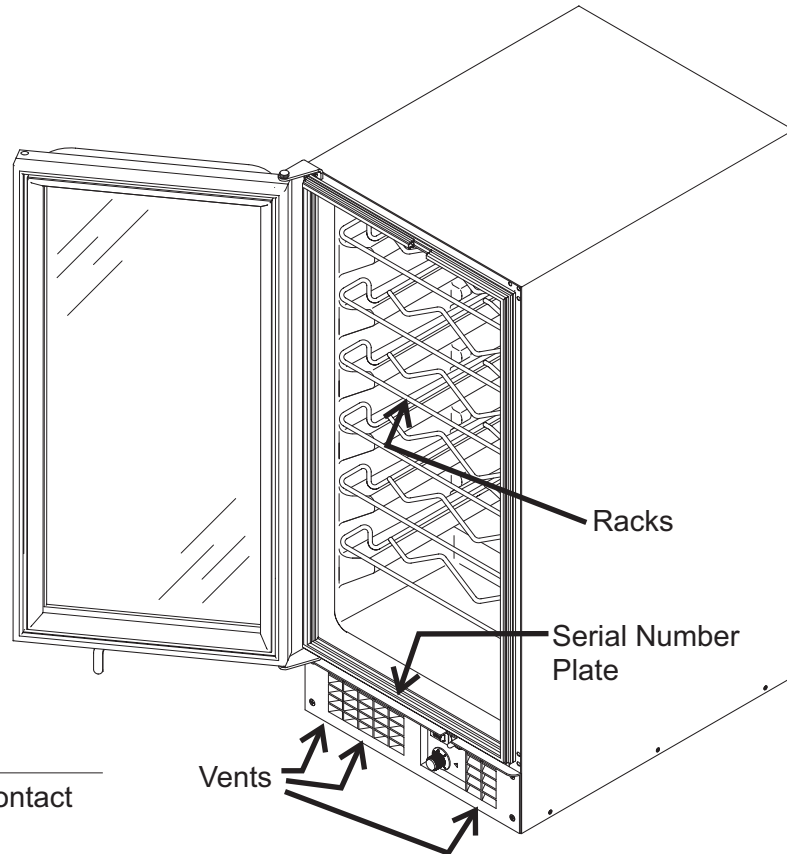
- Take off the door
- Leave the shelves in place so that children may not easily climb inside.

# SCV32

## Install It

The SCV32 is designed to be installed indoors, in a controlled environment. The operational limits are:

- Voltage: 104 to 126 VAC 60 Hz
- Room Temperature: 50 to 100°F.



Note: Due to possible door contact with another cabinet, corner installations may limit rack removal.

The vents at the bottom front must be kept clear of obstructions. Blocking these vents will reduce the ability of the unit to keep the wine at the proper temperature, and may damage the refrigeration system.

The unit should be on its own electrical circuit and no extension cords can be used. It pulls 1.1 amps or between 100 and 160 watts when operating.

Wine bottles are heavy. A fully loaded unit will weigh up to 200 lb. Be sure the flooring is adequate for the weight.

Remove any tape or other packaging material from inside the unit. Check that all racks move freely.

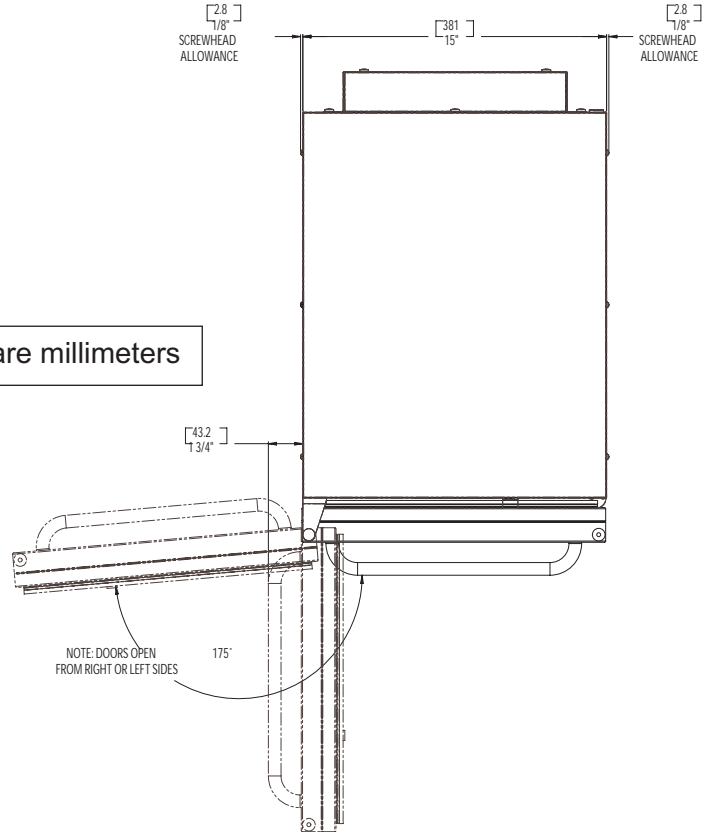
Note: Door handle is for opening door only. Do NOT pick the unit up by the handle.

Model	Basic Dimensions*	Compressor	Condenser	Basic Electrical	Refrigerant Charge
SCV32-1SB	15" w x 33 3/8" h x 21" d	1/16 HP	Forced Draft	115 volts, 60 Hz, Single Phase	2.75 oz R-134a

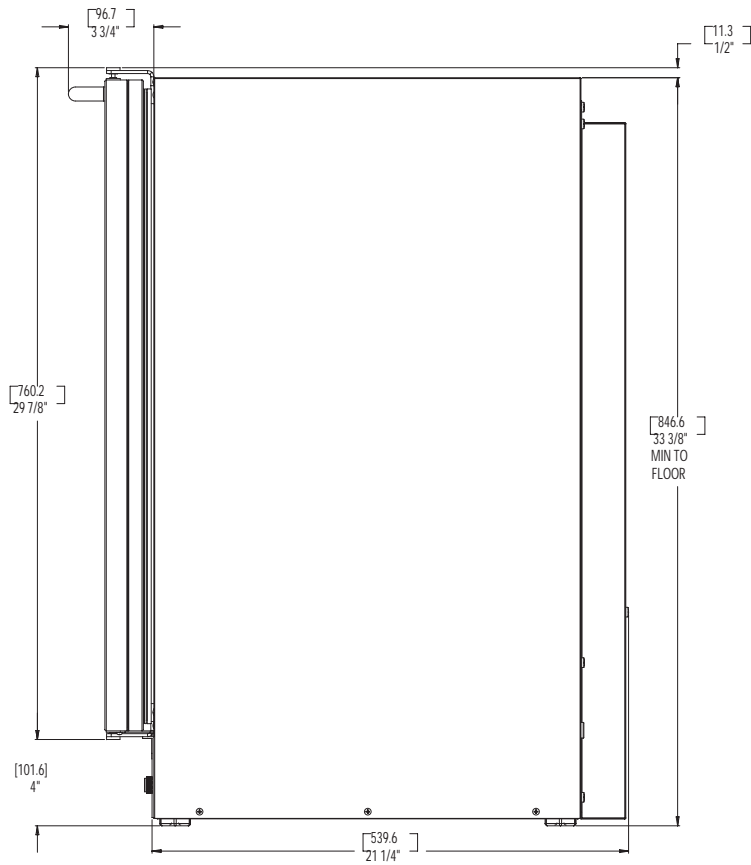
\* Width does not include clearance for built ins (extra 1/8" each side recommended), Height does not include hinge, Depth does not include door. See the drawing on the next page for more detail.

## Layout Drawings

Numbers in [brackets] are millimeters



Top View



Side View

# SCV32

## Reversing Door Swing

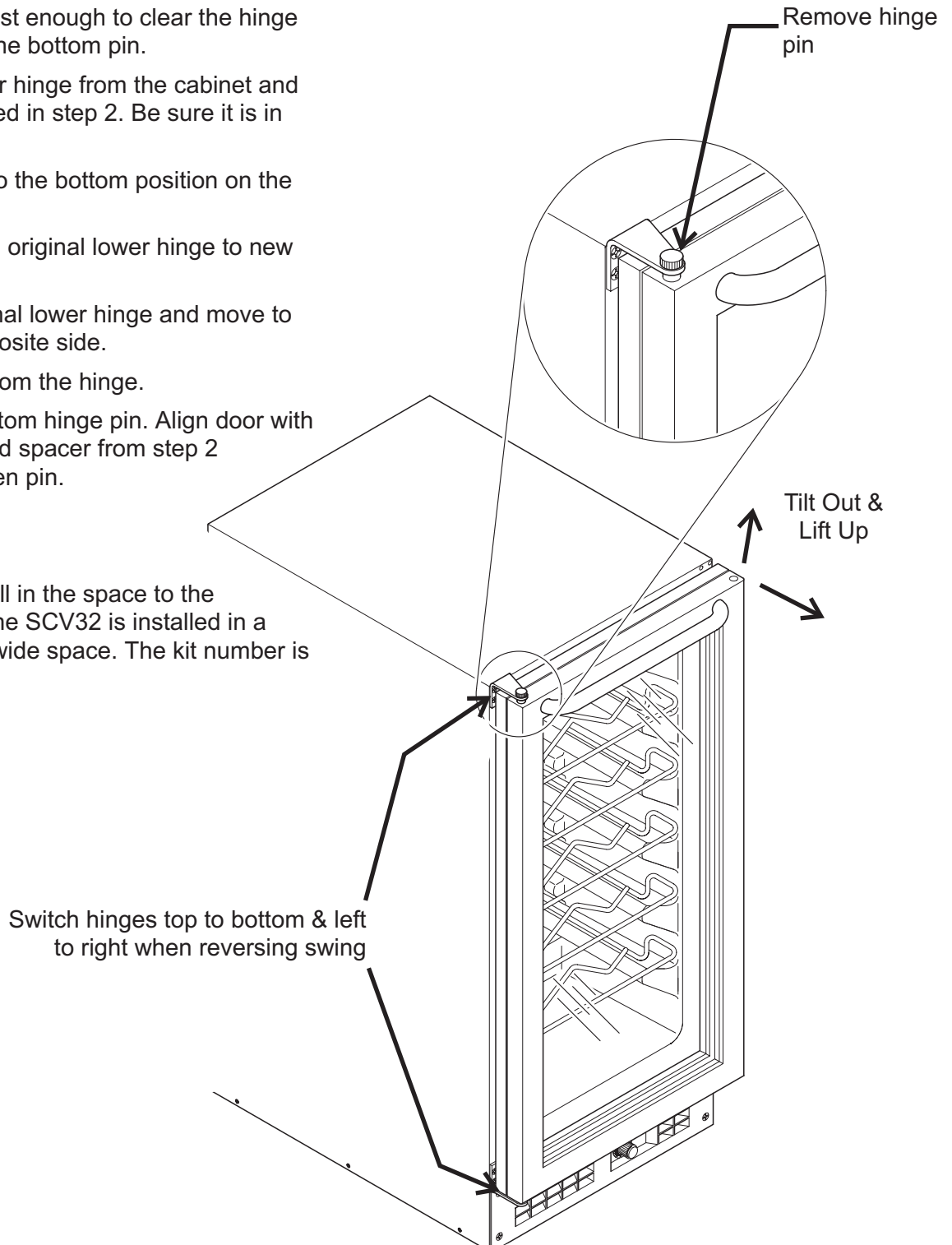
---

Determine if the door swing needs to be reversed.  
If it does, follow these instructions:

1. Open the door.
2. Remove the hinge pin from the top hinge (it unscrews). Save the pin and the spacer.
3. Tilt the door out just enough to clear the hinge and lift the door off the bottom pin.
4. Remove the upper hinge from the cabinet and insert the pin removed in step 2. Be sure it is in tight.
5. Mount the hinge to the bottom position on the opposite side.
6. Move spacer from original lower hinge to new lower hinge.
7. Remove the original lower hinge and move to the top position, opposite side.
7. Remove the pin from the hinge.
8. Place door on bottom hinge pin. Align door with hole in top hinge, add spacer from step 2 and insert pin. Tighten pin.

### Accessory Kit

A kit is available to fill in the space to the left and right when the SCV32 is installed in a cabinet with an 18" wide space. The kit number is KCE18B.



## Place It

---

Locate the leg levelers. Rotate them to level the unit left to right and front to back.

If the unit is built in and the electrical socket is behind the installed location, plug the unit in and slide it back into place. Check for stability and adjust legs if needed.

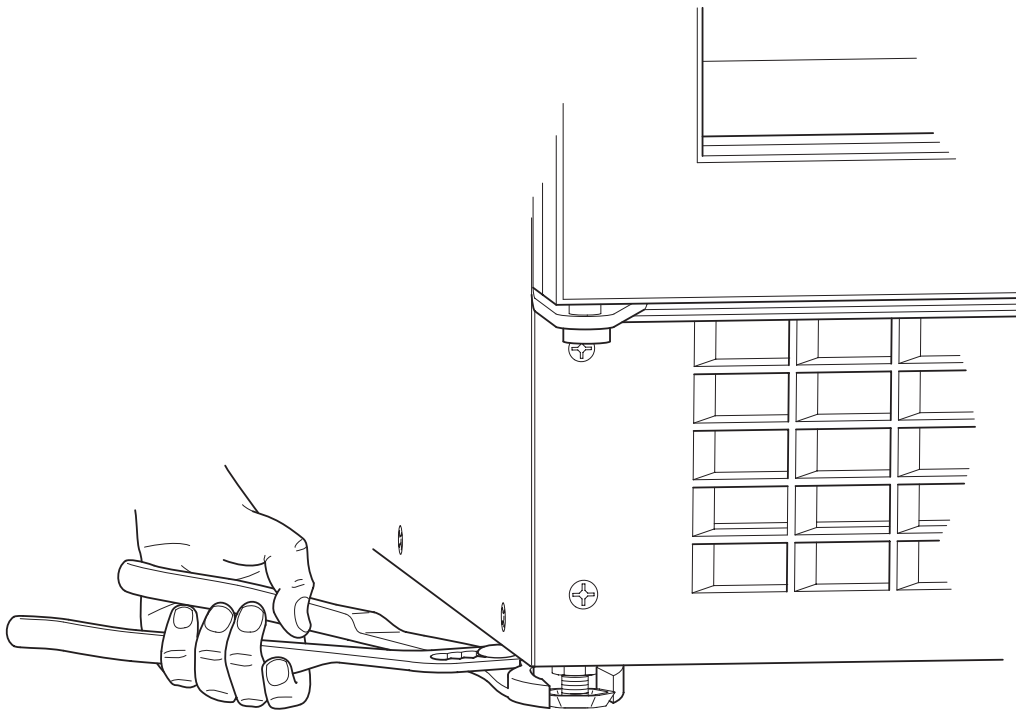
If the unit is free standing, move it into place and check for stability. Adjust legs if needed. Plug it in to an electrical socket of the correct voltage.

---

Note: Only connect to a properly grounded electrical outlet. Do not use an extension cord.

---

**Follow all local, state and national codes.**



***Adjust Legs to Level the Cabinet***

# SCV32

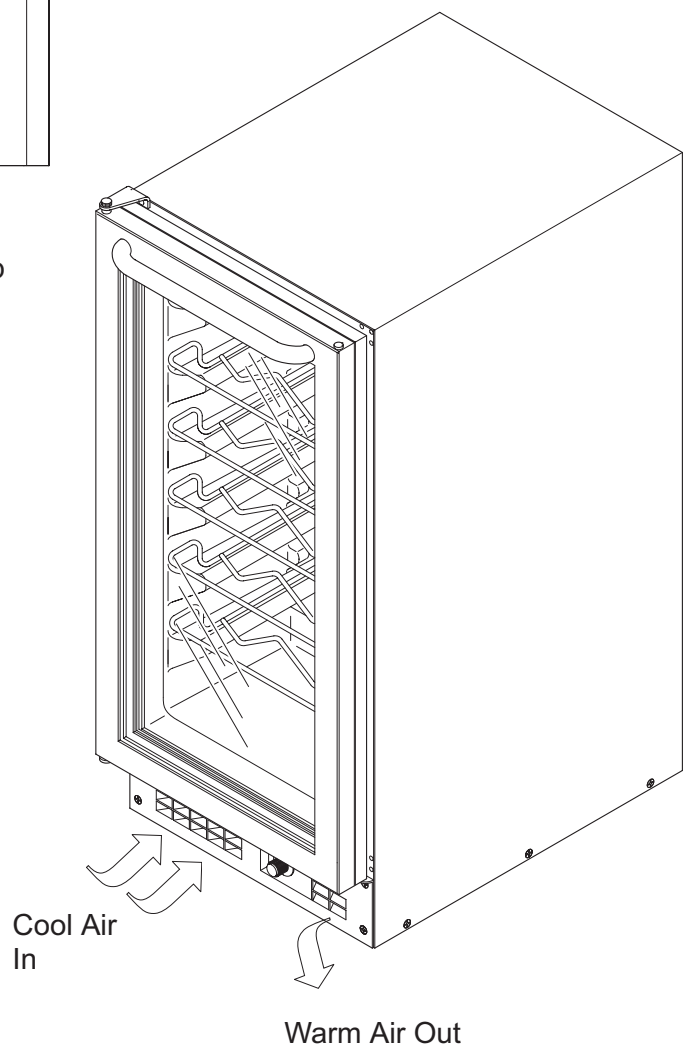
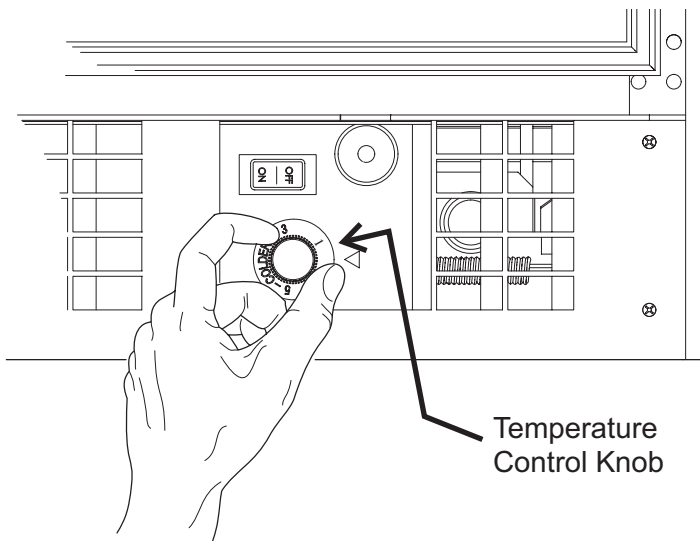
## Switch It On

---

Locate the temperature control knob at the bottom front of the unit. Rotate the knob clockwise to an operating position.

You should immediately hear a humming noise and feel air blowing in and out the vents near the knob. After 10 minutes open the door and feel the back panel inside the cabinet. It should feel cold to the touch.

To switch refrigeration off: Rotate the temperature control knob fully counter clockwise. The light will still be functional.



## Load It

---

The six racks are designed to hold five bottles each with the necks pointing at each other. Two additional bottles may be placed on the bottom for a total of 32. If large bottles do not fit between the racks, remove a lower rack and place the bottles on the rack below.

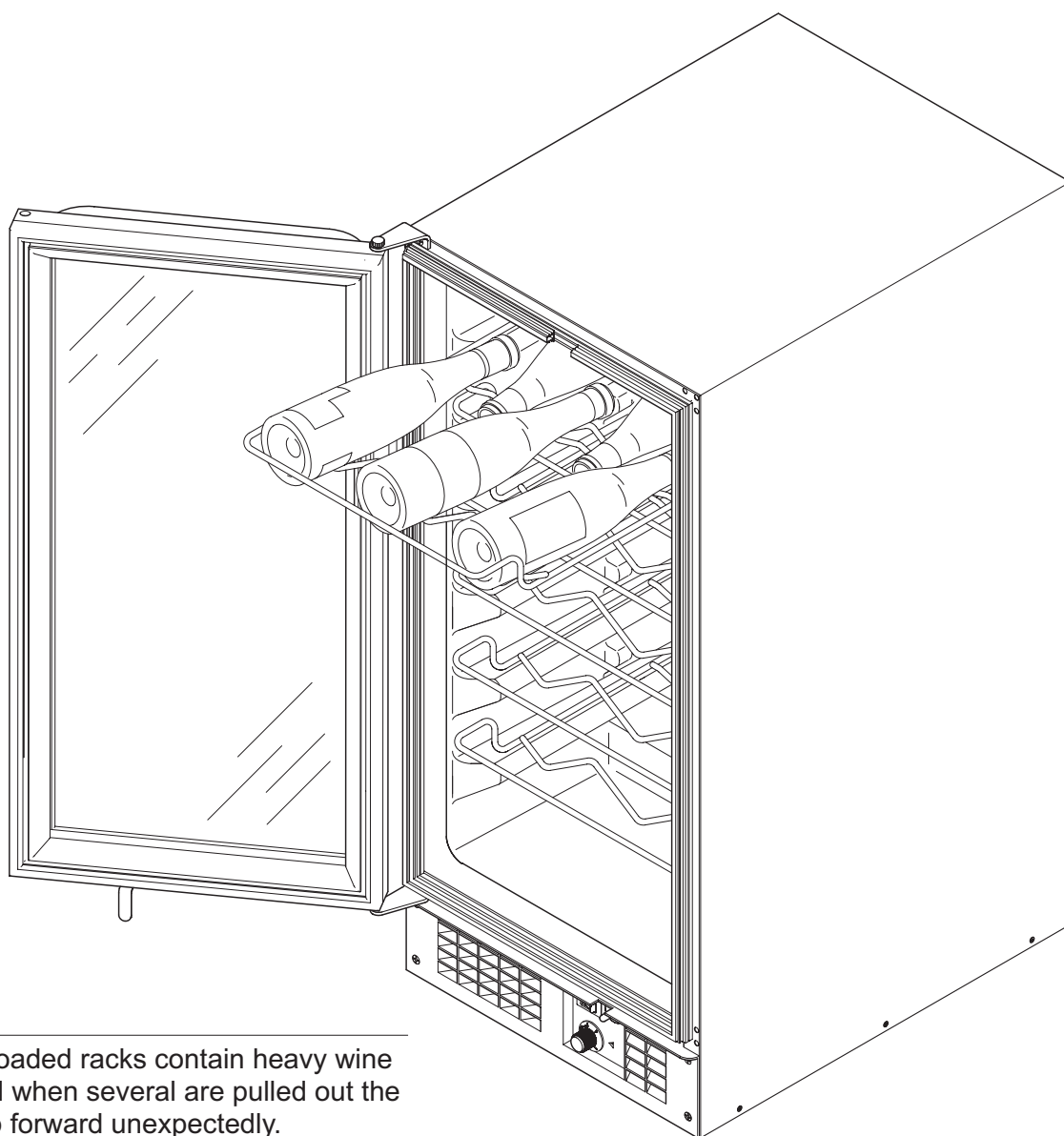
The racks are removable and reversible. To remove a rack, take off the bottles on that rack and pull it out until it stops, then lift up the front of the rack and remove it from the unit.

Bottles can be arranged to suit individual needs. Reversing every other rack allows more light to penetrate the lower racks for an improved display of a full cabinet.

---

**Note:** Rack removal will be difficult if the door cannot open to at least 115°, as in a corner application.

---



---

**Caution:** Loaded racks contain heavy wine bottles and when several are pulled out the unit can tip forward unexpectedly.

---

# SCV32

## Set the Temperature

---

Rotate the temperature adjustment knob until the desired temperature is lined up with the indicator. Interior cabinet temperatures will be a bit warmer at the top or front and cooler at the bottom. See the next page for details.

### Temperature Reference:

There are several temperature zones inside the SCV cabinet. The warmest position is at the top, coldest at the bottom. The temperature can also be controlled by rotating the temperature control knob.

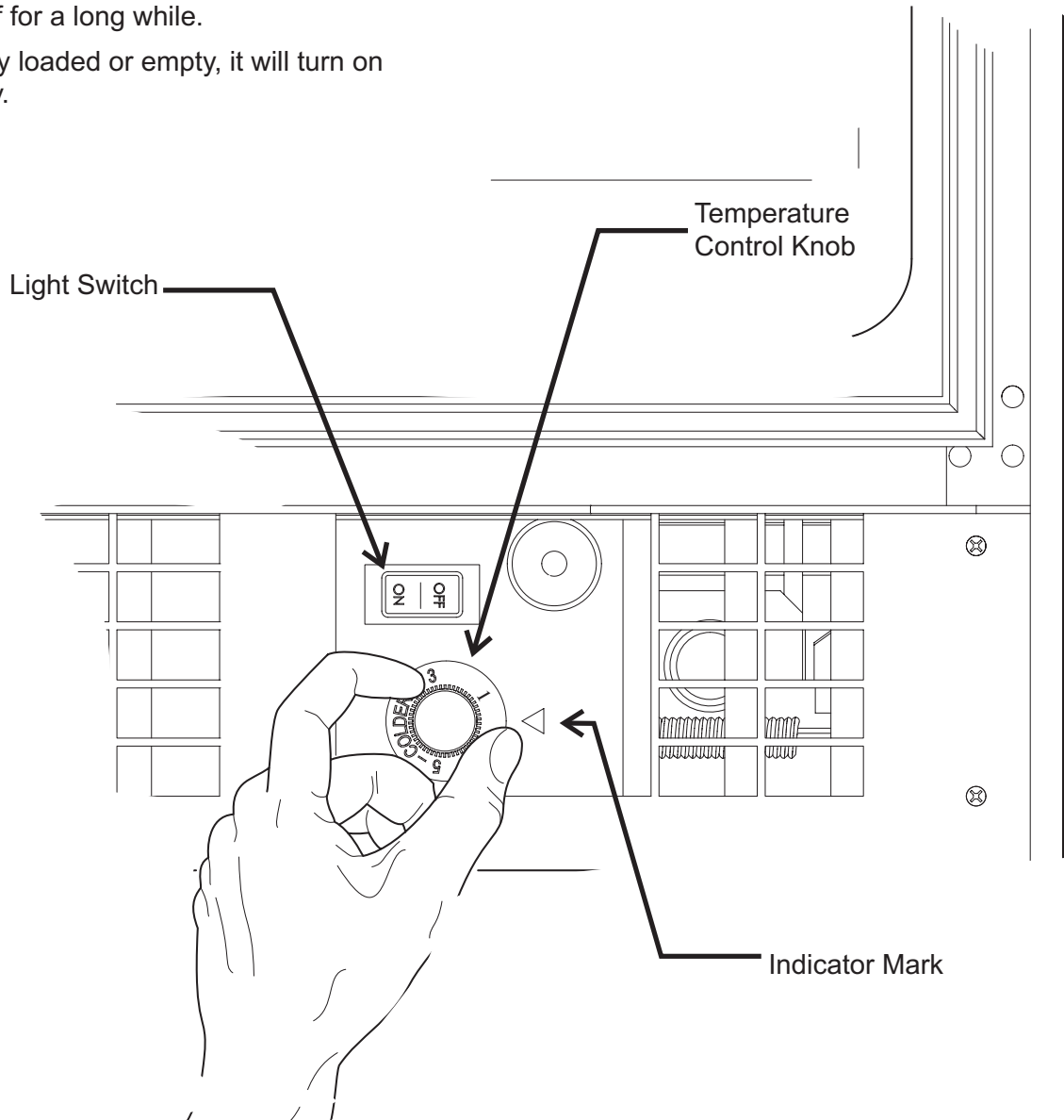
1 is the warmest setting, 7 is the coldest.

When fully loaded with room temperature product the SCV32 will operate continuously for as much as 24 hours to reduce the temperature inside the cabinet to the desired point. After it has shut off it should remain off for a long while.

If the unit is lightly loaded or empty, it will turn on and off frequently.

### Switch the Light On or Off

The Display Light automatically switches on when the door is opened. To have it on when the door is closed, move the light switch to the ON position.





## Temperature Control

---

Wines should be stored at the temperature recommended for the type of wine.

- Red wines should be kept at about 60°F.
- White wines should be kept at about 50°F.
- Sparkling wines should be kept at about 45°F.

This range corresponds to the rack positions. The upper two racks will be the warmest, and that is where the red wines should be placed.

The middle two racks are where the white wines should go, and the bottom area is where sparkling wines should be kept.

Once the wines have been placed in the correct racks, the temperature control can be adjusted to bring the temperature to the correct range. Place a thermometer in the wine storage unit and check over several days to determine the temperature.

In very warm conditions the unit may run continuously.

This table can be used as a starting point in establishing the proper temperature.

Temperature Knob Position	Typical Middle of Cabinet Temperature*
1	55°F.
3	53°F.
5	50°F.
7	45°F.

\* Temperature will vary a few degrees as refrigeration system switches on and off.

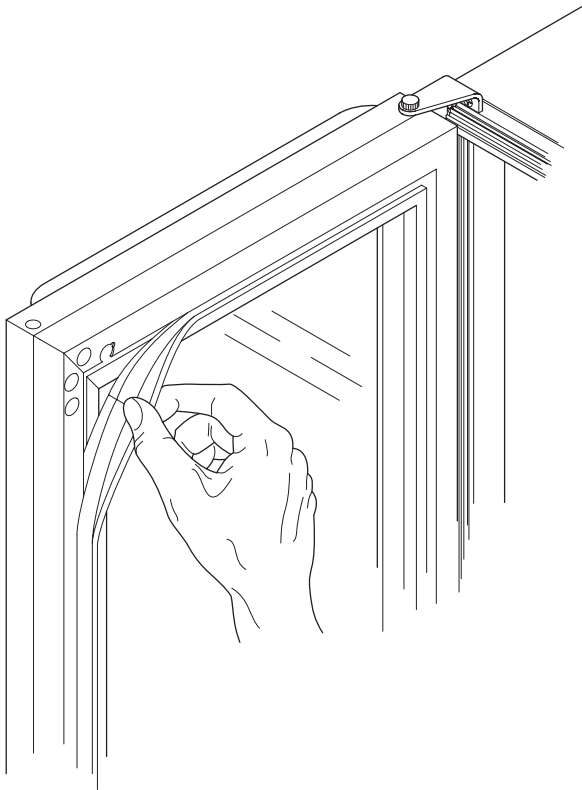
# SCV32

## Maintenance

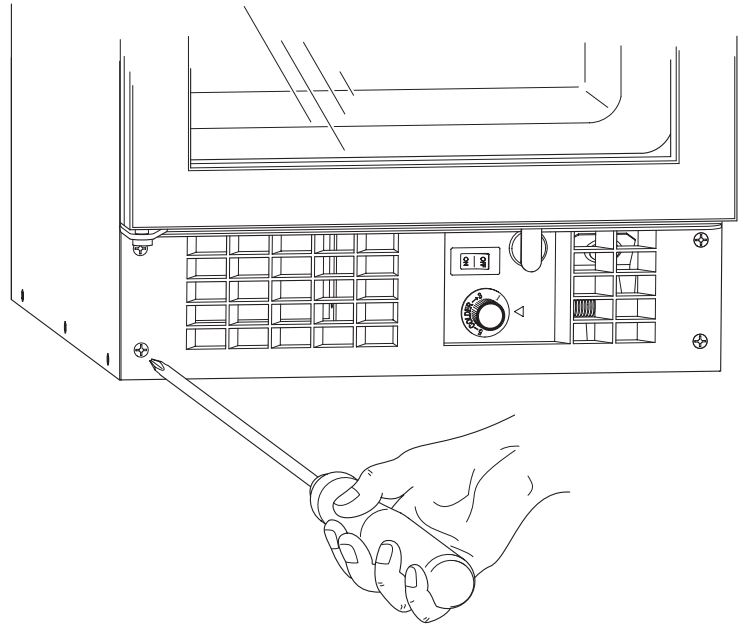
Little maintenance is required other than keeping the unit clean. The evaporator in the back of the cabinet is the cycle-defrost type. Any frost that develops on it during operation melts and drains away when the unit is off. Water from the evaporator drains into a pan at the bottom of the cabinet and evaporates into the room air.

- About once a year check the drain trough by pouring about a half-cup of water in it to be sure it drains well.
- The outside of the cabinet can be kept clean by wiping it with a mild soap and water.
- The inside liner can be washed using any non-petroleum based soap and water.
- The door glass may be cleaned with any glass cleaner.
- The door gasket can be removed for cleaning by pulling it out of its track.

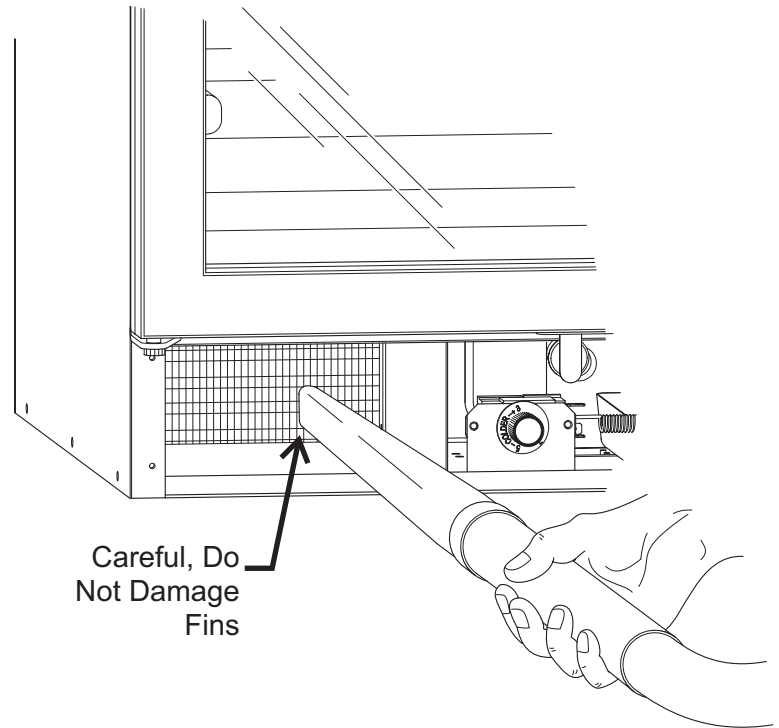
The air cooled condenser should be vacuumed once or twice per year to remove any lint that may have been drawn into it. To get access, use a phillips screwdriver to remove the kickplate and use an accessory probe on the vacuum cleaner hose to reach back on the left side to remove any lint from the front of the condenser fins.



**Removal of Door Gasket**



**Remove Kickplate**



**Vacuum Fins**

## Troubleshooting

---


Symptom	Possible Cause	Probable Fix
Cabinet too warm	Switched off	Check temperature control
Cabinet wrong temperature	Temperature control out of adjustment	Check adjustment
	Temperature control failure	Call for service
Operates too long	Dirty condenser fins	Clean condenser fins
	Cabinet full of warm product	Unit must operate for many hours to cool warm product
	Door gasket not tight	Check gasket fit
	Thick frost on evaporator	Shut unit off until frost melts off, check thick frost symptom below
	Unit in very warm conditions	Sunlight or high room temperatures will increase operating time
Makes excessive noise	Fan will make noise	May be normal
	Fan blade contacting shroud	Check for free fan blade rotation
Will not cool	Dirty condenser fins	Clean condenser fins
	Fan motor not turning blade	Check fan motor/call for service
	Low on refrigerant	Check system/call for service
	Compressor not operating	Check compressor/call for service
Thick frost on evaporator	Gasket not sealing	Check gasket
	Door not closing	Check door
	Thermostat not keeping unit off long enough	Check thermostat. Should cut in at 44°F evaporator temp. Cut out varies.
	Excessive operating time	Check for cause (see above)
Cabinet light does not work properly	Light burned out	Replace bulb
	Door switch does not close	Check/replace door switch
	Cannot switch light on with door closed	Check/replace rocker switch
Water running from inside cabinet	Drain trough hose plugged	Clean hose
Water leak	Drain hose out of position	Call for service
	Drain pan overflowing	Check door and door gasket

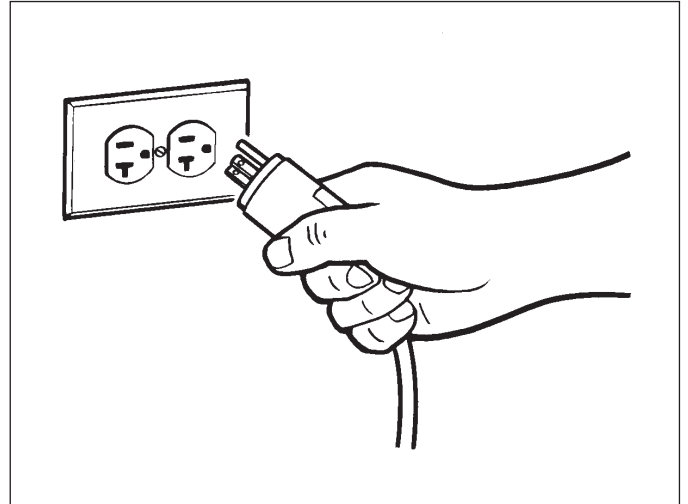
# SCV32

## Light Bulb Replacement

The light bulb in the top of the cabinet will last for a long time, however when it does burn out, it is easily changed.

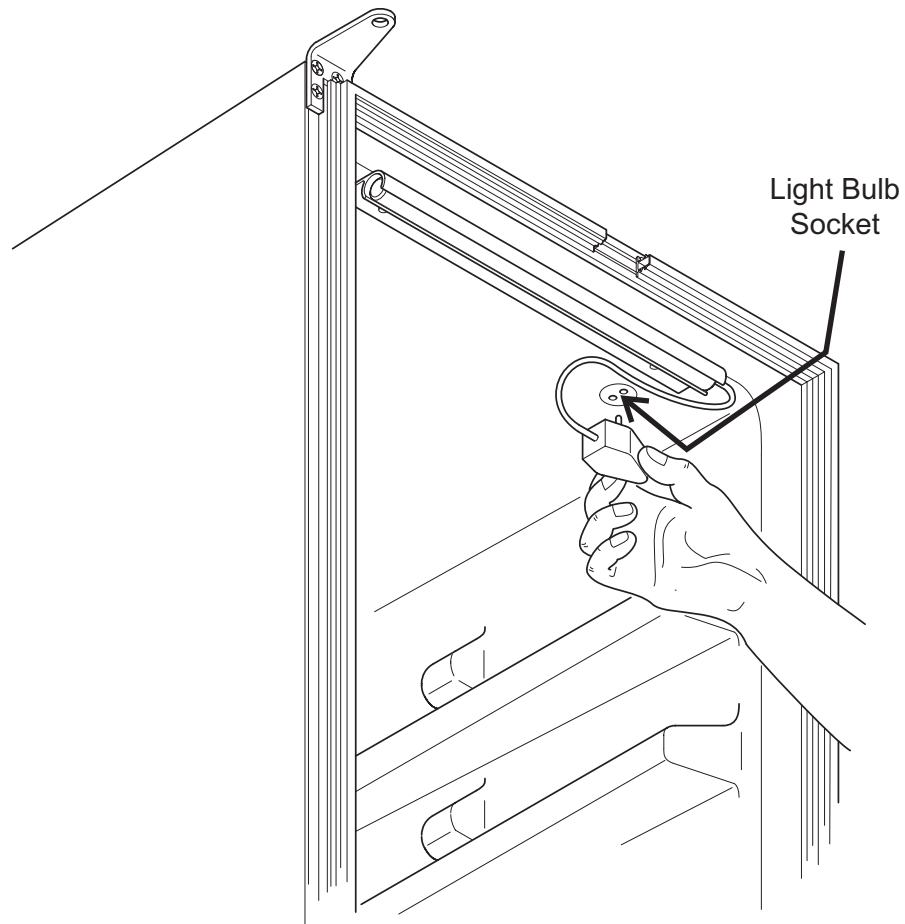
1. Unplug the unit.

<b>⚠ WARNING</b>	
<b>Electrical Shock Hazard</b> Disconnect electrical power before beginning service	



**Unplug Unit Before Service**

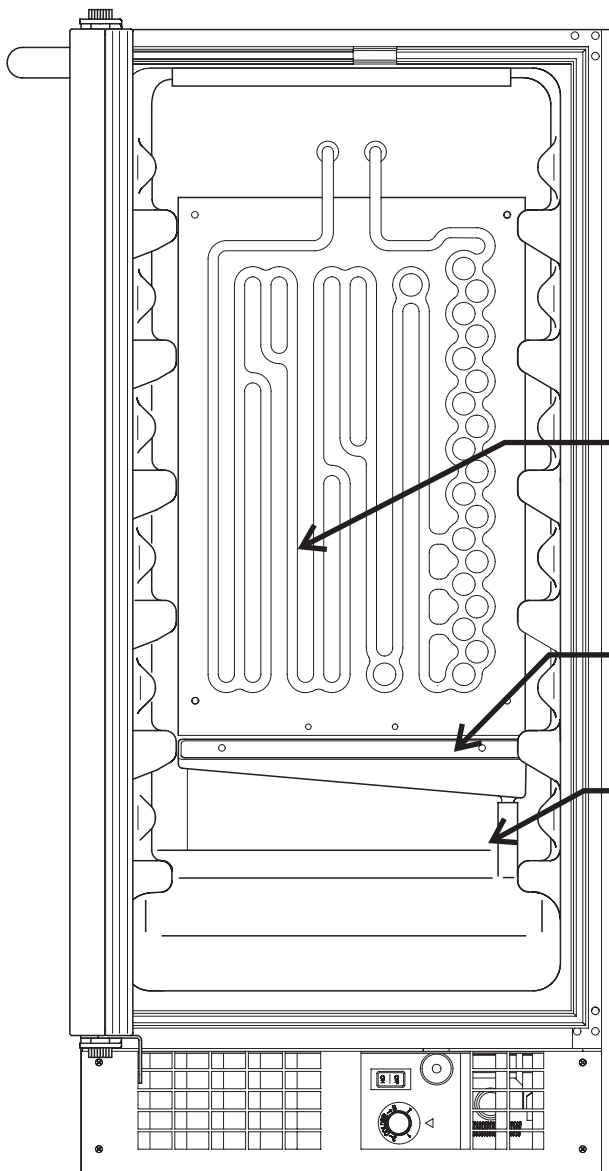
2. Remove the top rack.
3. Pull the plug from the socket in the top of the unit.
4. Remove the bulb from its holder.
5. Install new bulb in the reverse order of steps 4 through 1.



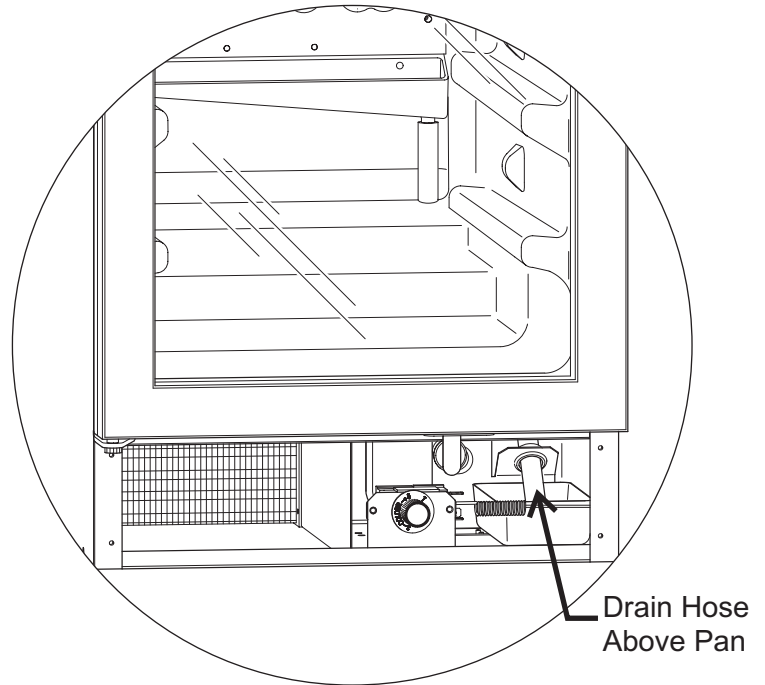
## Drain System

The SCV has an internal drain system. Inside the unit, moisture forms on the refrigerated panel in the back. That moisture drains into a trough, and from the trough through a hose to a pan.

The drain hose must be directly above the pan or water may leak onto the base of the unit.



**Front View of SCV32**



**Detail of Drain System**

Refrigerated Panel (Evaporator)

Drain Trough

Drain Hose



# **SCOTSMAN**

775 CORPORATE WOODS PARKWAY  
VERNON HILLS, IL 60061

800-533-6006

[WWW.SCOTSMAN-ICE.COM](http://WWW.SCOTSMAN-ICE.COM)