

NME650R SERVICE PARTS

This parts list contains the service parts and wiring diagrams for this model. Check the model number in question to be sure that it is applicable to this parts list.

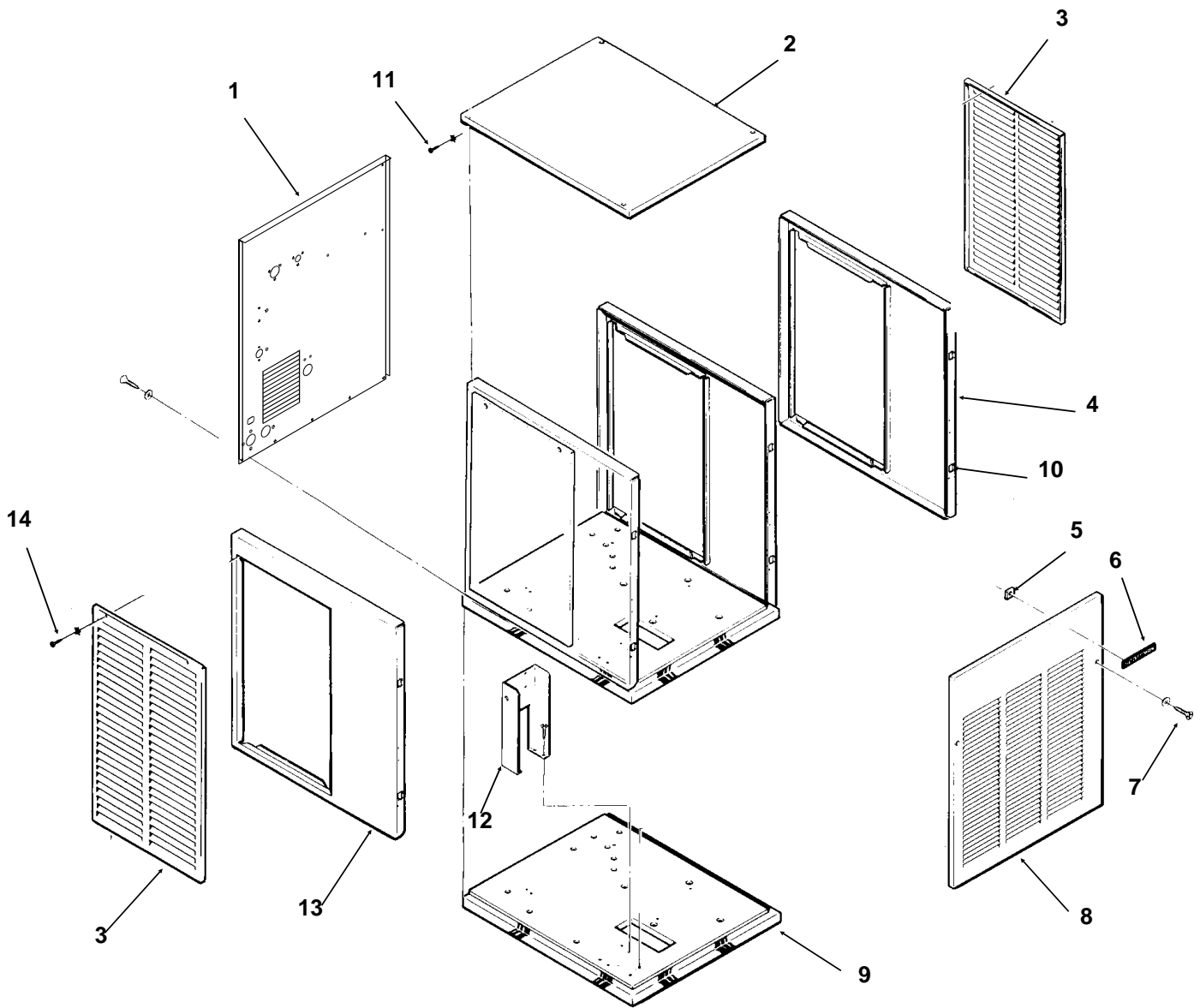
Note: The liquid line filter drier listed in this parts list is designed for this refrigeration system. Premature failure may result if the wrong drier is used.

TABLE OF CONTENTS

Cabinet	2
Refrigeration	3
Water	4
Gearmotor	5
Evaporator	6
Control Box	7
Remote Condenser	8
Wiring Diagrams	9

NME650R SERVICE PARTS

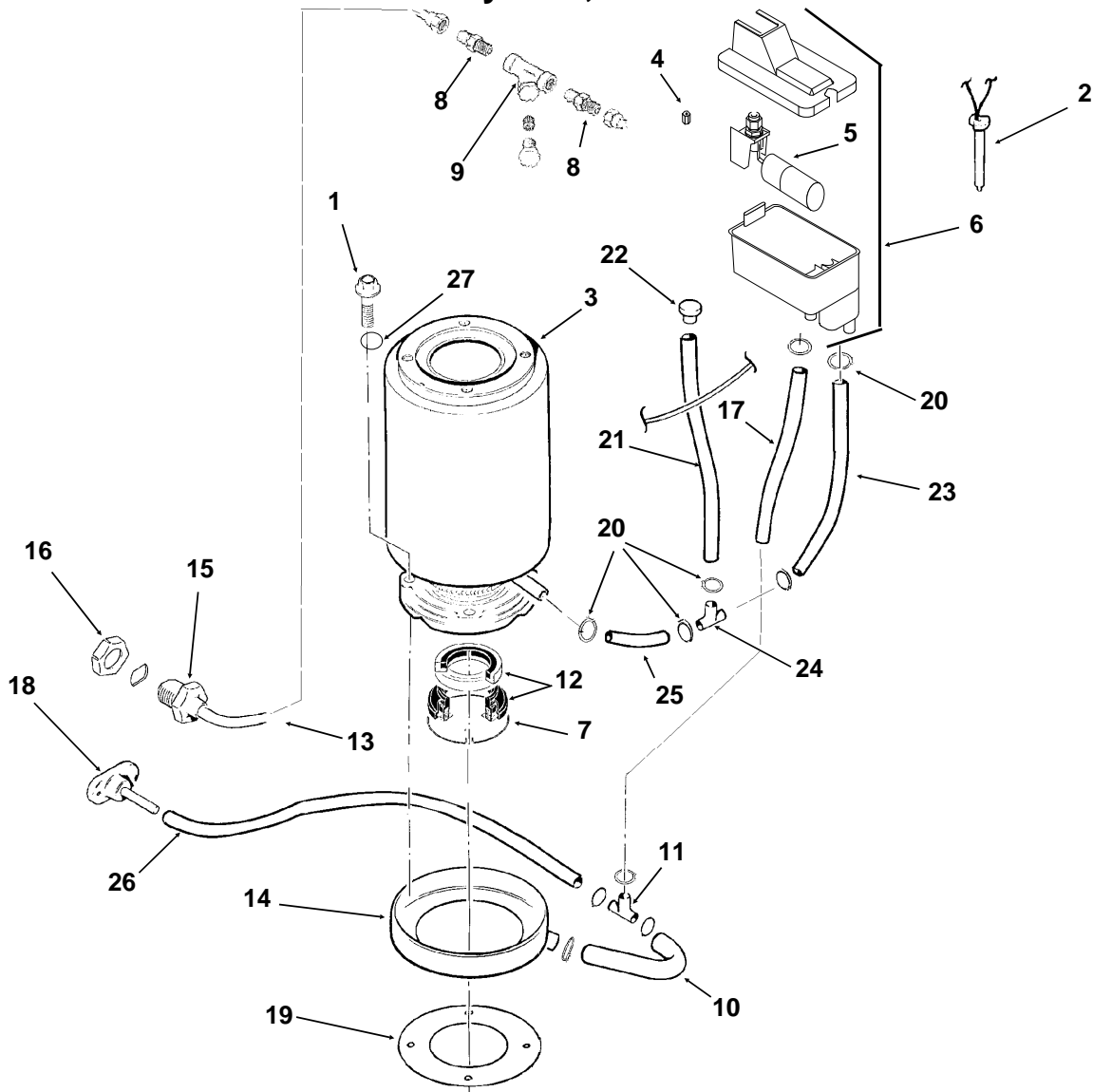
Cabinet Assembly



ITEM NUMBER	PART NUMBER	DESCRIPTION	ITEM NUMBER	PART NUMBER	DESCRIPTION
1	A35924-001	Back panel, sandalwood	7	03-1419-22	Screw
	A35924-015	Back panel, gray	8	A33255-001	Front Panel, sandalwood
	A35924-002	Back panel, stainless steel		A33255-015	Front panel, gray
2	A33256-001	Top Panel, sandalwood		A33255-002	Front Panel, S.S.
	A33256-015	Top panel, gray	9	A35890-001	Base Assembly
	A33256-002	Top Panel, S.S.	10	02-0836-00	Catch
3	A32161-001	Service Panel, sandalwood		15-0411-00	Srike
	A32161-015	Service panel, gray		03-1406-04	Nut
	A33946-032	Service Panel, S.S.	11	03-1531-01	Screw
4	A33292-001	Right Side Panel, sandalwood	12	A34039-001	Control Box Support
	A33292-015	Right side panel, gray	13	A32435-001	Left Side Panel, sandalwood
	A33292-002	Right Side Panel, S.S.		A32435-015	Left side panel, gray
5	03-0271-00	Speed Clip		A32435-002	Left Side Panel, S.S.
6	15-0711-01	Emblem, for sandalwood	14	03-1404-12	Screw
	15-0808-01	Emblem, for s. steel or gray			

NME650R SERVICE PARTS

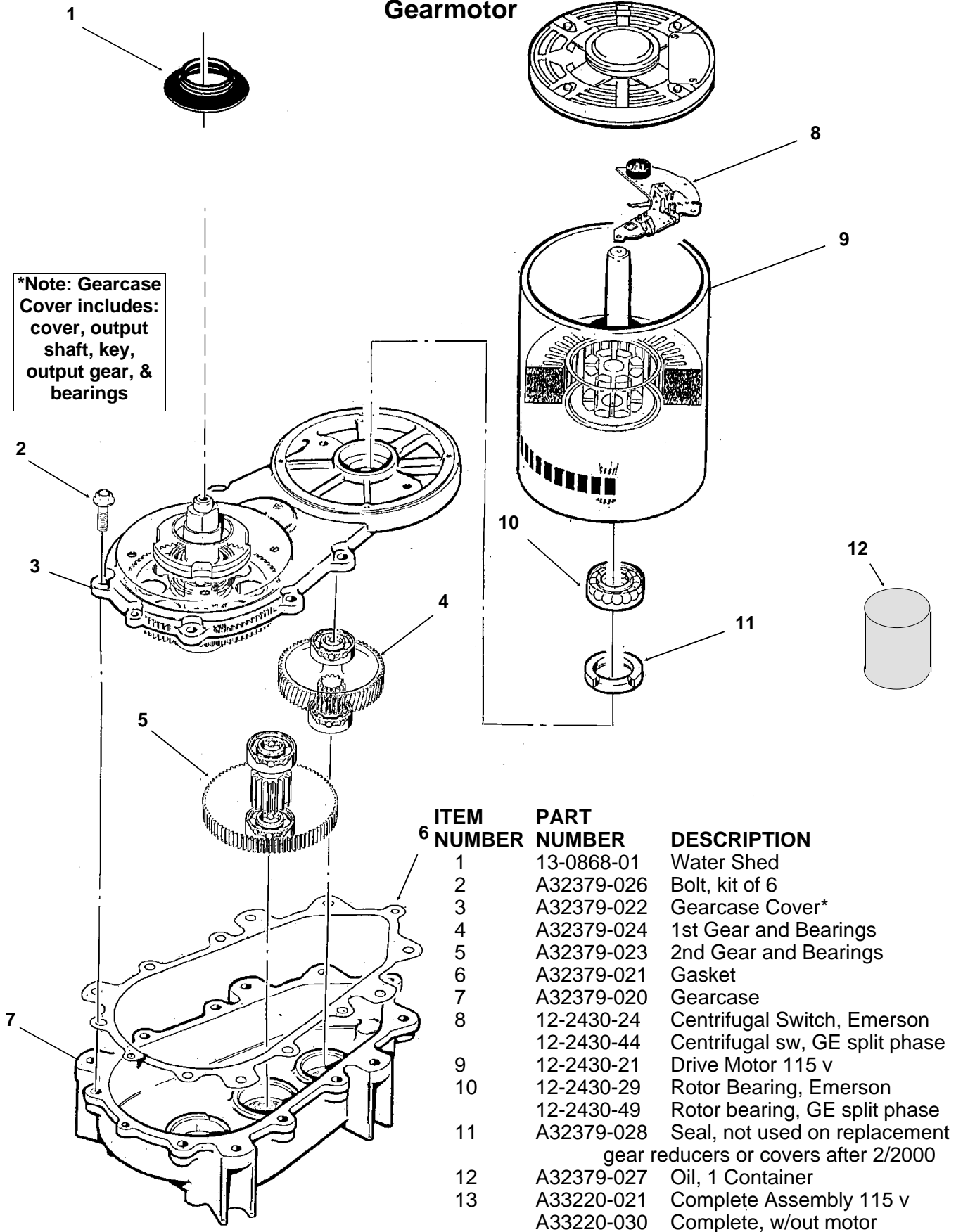
Water System, Water Seal



ITEM NUMBER	PART NUMBER	DESCRIPTION	ITEM NUMBER	PART NUMBER	DESCRIPTION
1	03-1405-41	Cap Screw	14	02-3837-01	Drip Pan
2	A33101-022	Water Level Sensor	15	A27318-001	Water Inlet Fitting
3	A33194-020	Evaporator	16	03-1394-01	Pal Nut
4	02-3266-03	Valve seat	17	13-0079-03	Res. Overflow, 11" req.
5	02-3266-02	Float valve and seat	18	02-3692-22	Drain fitting
6	02-3266-20	Reservoir Assembly	19	13-0704-00	Gasket
	A36078-001	Reservoir bracket (not shown)	20	02-2814-08	Clamps
7	A32777-001	Retaining Ring for Seal	21	13-0674-06	Evap. Drain, 20" req.
8	16-0791-01	Half Union	22	13-0840-01	Plug
9	16-0162-00	Strainer	23	13-0674-06	Evap. Inlet Tube, 10" req.
10	13-0079-03	Tube, 6" req.	24	16-0670-01	Tee
11	16-0670-02	Tee	25	A33203-001	Tube, Preformed
12	02-0929-23	Water Seal	26	13-0079-03	Drain Tube, 27" req.
13	no number	Water inlet tube	27.	03-1417-13	Lockwasher

NME650R SERVICE PARTS

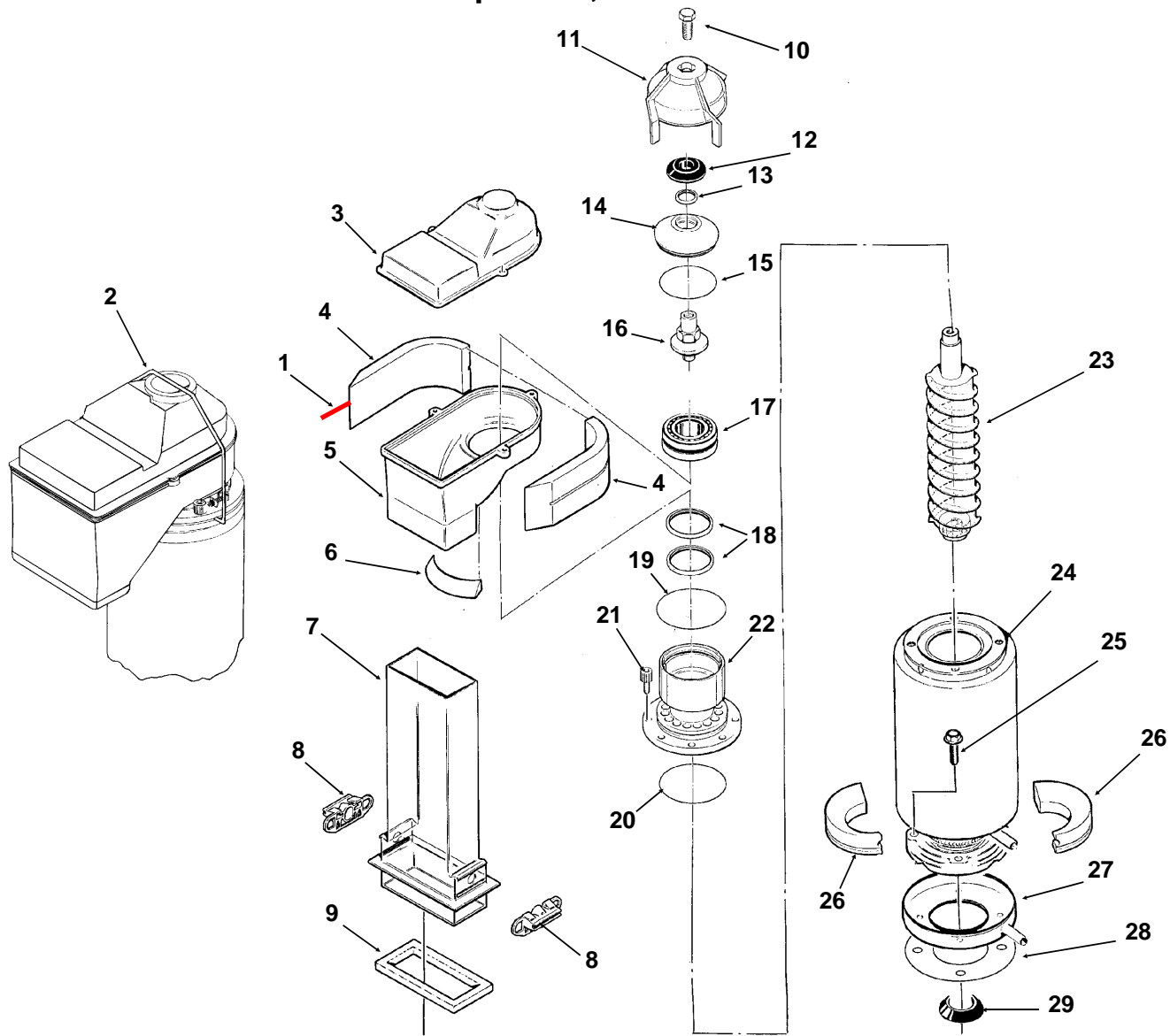
Gearmotor



ITEM NUMBER	PART NUMBER	DESCRIPTION
1	13-0868-01	Water Shed
2	A32379-026	Bolt, kit of 6
3	A32379-022	Gearcase Cover*
4	A32379-024	1st Gear and Bearings
5	A32379-023	2nd Gear and Bearings
6	A32379-021	Gasket
7	A32379-020	Gearcase
8	12-2430-24	Centrifugal Switch, Emerson
	12-2430-44	Centrifugal sw, GE split phase
9	12-2430-21	Drive Motor 115 v
10	12-2430-29	Rotor Bearing, Emerson
	12-2430-49	Rotor bearing, GE split phase
11	A32379-028	Seal, not used on replacement gear reducers or covers after 2/2000
12	A32379-027	Oil, 1 Container
13	A33220-021	Complete Assembly 115 v
	A33220-030	Complete, w/out motor

NME650R SERVICE PARTS

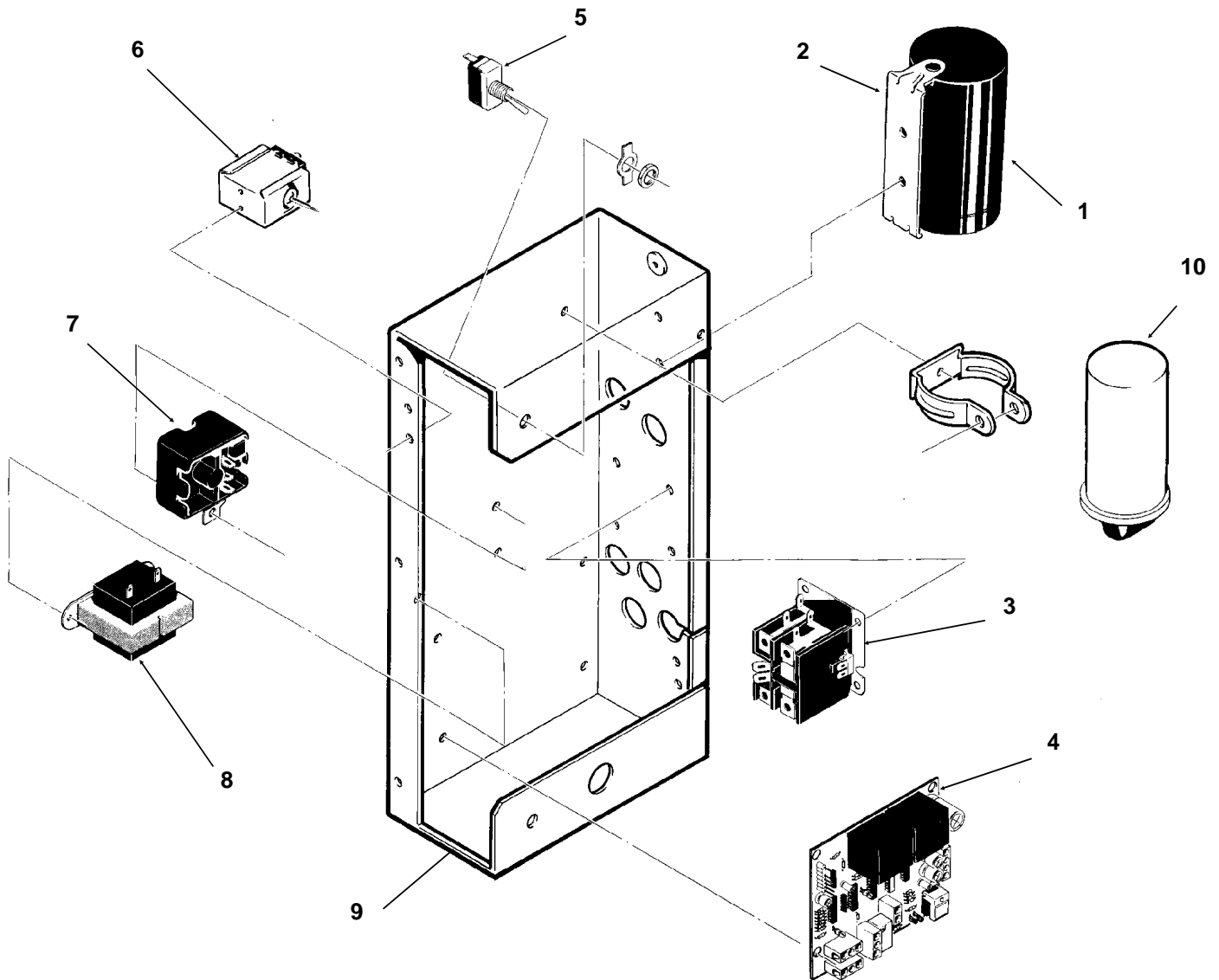
Evaporator, Bin Controls



ITEM NUMBER	PART NUMBER	DESCRIPTION
1.	A35419-020	Strap kit
2.	A34969-001	Bail clamp
3.	02-2930-04	Ice Chute Cover
4.	A32963-001	Insulation Top (half)
5.	02-3841-01	Ice Chute Body
6.	A33102-001	Insulation Collar Inside
7.	02-2929-03	Ice Chute Lower
8.	A37708-021	Bin Controls Assy. (set of 2)
9.	A32930-001	Chute Gasket
10.	03-1405-52	Hex Cap Screw
11.	02-3001-01	Ice Sweep
12.	13-0871-01	Water Shed
13.	02-2978-01	Lip Seal
14.	02-3128-20	Breaker Cover
15.	13-0617-54	O-Ring
16.	08-0660-01	Auger Stud
17.	A34559-020	Bearing
18.	02-2977-01	Lip Seal
19.	13-0617-52	O-Ring
20.	13-0617-45	O-Ring
21.	03-1544-08	Soc. Head Screw
22.	A32900-020	Breaker (includes 13,14,15,17, 18 & 20)
23.	A38071-021	Auger
24.	A33194-020	Evaporator
25.	03-1405-41	Cap Screw
26.	A32962-001	Insulation Bot. (half)
27.	A32962-002	Insulation half
27.	02-3837-01	Drip Pan
28.	13-0704-00	Drip Pan Gasket
29.	13-0868-01	Water Shed

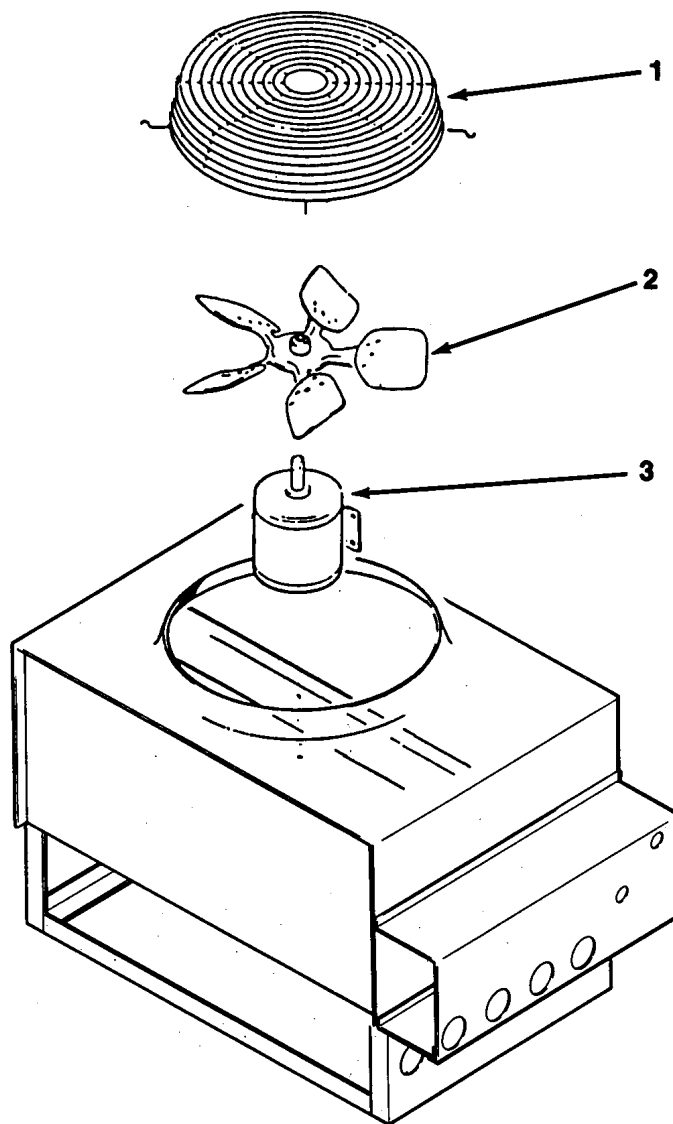
NME650R SERVICE PARTS

Control Box



ITEM NUMBER	PART NUMBER	DESCRIPTION	ITEM NUMBER	PART NUMBER	DESCRIPTION
1	18-1901-03	Start Cap	7	18-1903-50	Potential Relay
	18-2200-38	Start Capacitor Cap.	8	12-2285-21	Transformer
2.	18-2200-39	Start Capacitor Bracket	9	no number	Control Box Assy
	03-1638-04	Screw	10	18-1902-45	Run capacitor
	03-1417-15	Lockwasher	NOT ILLUSTRATED		
3.	12-2048-01	Contactor	11.	12-2337-05	2 Pin Plug Assy (Safety Circuit to Circuit Board)
4	A37750-021	Circuit Board	12.	12-2340-01	4 Pin Plug Assy (Transformer to Circuit Board)
5.	12-0426-01	Master Switch	13	A34055-001	Control Box Cover
6.	11-0420-24	Pump Down Control			

NME650R SERVICE PARTS REMOTE CONDENSER



RCE501-1A

ITEM NUMBER	PART NUMBER	DESCRIPTION
1.	02-2618-01	Fan Guard
2.	18-6304-01	Fan Blade
3.	18-6305-01	Fan Motor

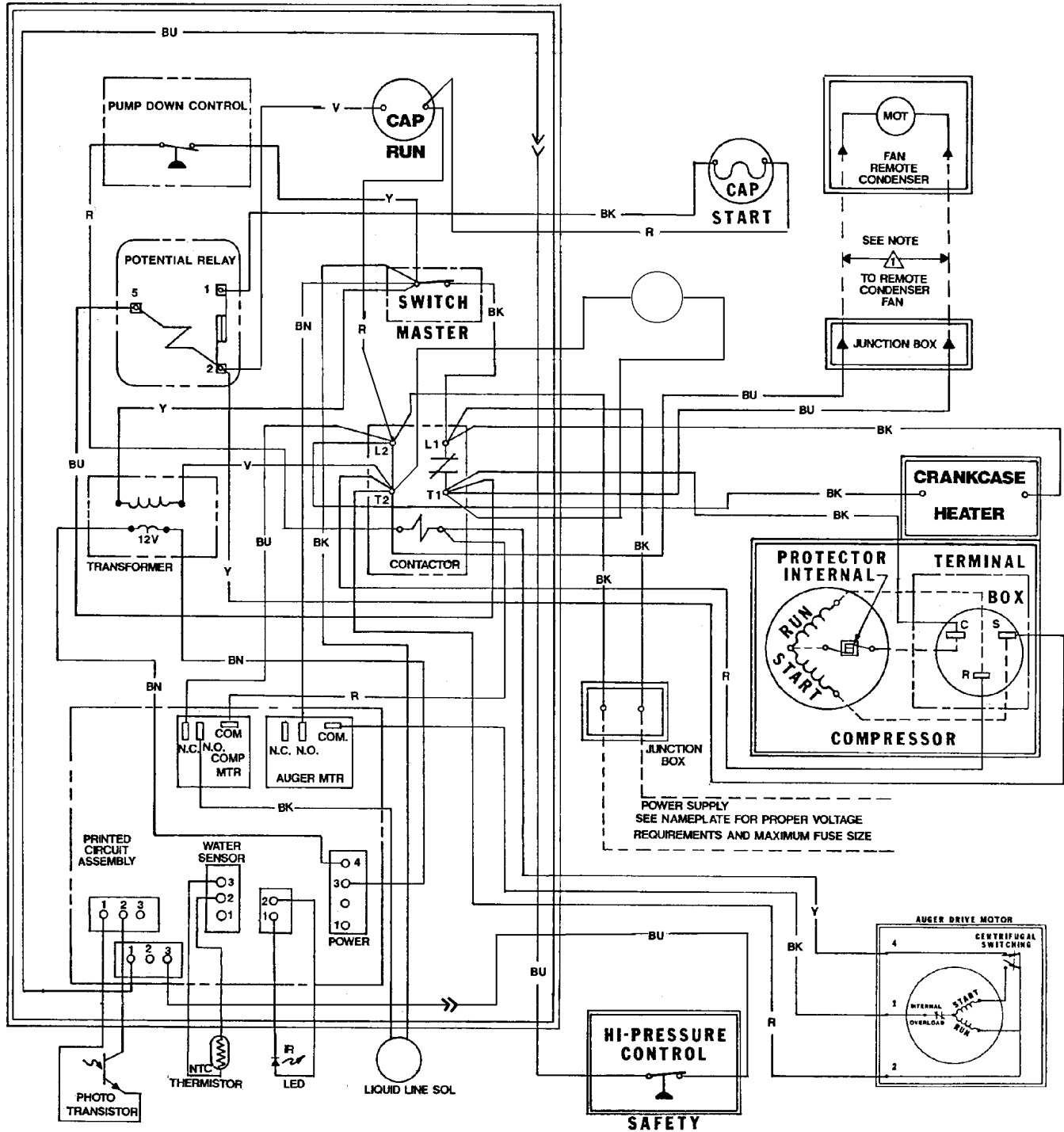
For pre-charged line sets:

4	16-1057-01	Female coupling (3/8")
5	16-1057-02	Female coupling (1/2")

ERC101-1A

ITEM NUMBER	PART NUMBER	DESCRIPTION
1	02-3575-01	Fan guard
2	18-8800-01	Fan blade
3	18-8796-01	Fan motor

NME650R SERVICE PARTS Component Layout Diagram



NME650R SERVICE PARTS

Schematic Diagram

